



US00D566220S

(12) **United States Design Patent**
Moody et al.

(10) **Patent No.:** **US D566,220 S**
(45) **Date of Patent:** **** Apr. 8, 2008**

(54) **BIPOD**

(75) Inventors: **Joseph R. Moody**, Jacksonville, FL (US); **Joseph D. Gaddini**, Evans, GA (US)

(73) Assignee: **Grip Pod Systems, L.L.C.**, Jacksonville, FL (US)

(**) Term: **14 Years**

(21) Appl. No.: **29/267,729**

(22) Filed: **Oct. 20, 2006**

Related U.S. Application Data

(63) Continuation of application No. 29/259,347, filed on May 5, 2006, which is a continuation-in-part of application No. 10/725,082, filed on Dec. 2, 2003, now Pat. No. 7,111,424.

(51) **LOC (8) Cl.** **22-01**

(52) **U.S. Cl.** **D22/108**

(58) **Field of Classification Search** D22/100, D22/103, 108, 199; 42/72, 94, 71.01, 127, 42/85; 89/37.03, 40.06, 37.04; 248/171, 248/188.5, 169, 181.1, 155, 16, 170, 183, 248/186; 396/425, 428; 124/29

See application file for complete search history.

(56) **References Cited**

U.S. PATENT DOCUMENTS

271,251 A 1/1883 Leerbeach et al.

(Continued)

OTHER PUBLICATIONS

Jane's Infantry Weapons 1976, Denis H.R. Archer, M.A., pp. 1-3. Brugger & Thomet Unipod, Forward grip with retractable bipod, [online] DSA Inc. Systems Second to None, DSA Order Center, 1 page, [Retrieved on Oct. 17, 2006] Retrieved from: <http://www.dsarms.com/item-detail.cfm?ID=BT21830A&storeid=1&image=bt21830A.gif>.

Primary Examiner—Ian Simmons

Assistant Examiner—Melanie Levy

(74) *Attorney, Agent, or Firm*—Brian S. Steinberger; Law Offices of Brian S. Steinberger, P.A.

(57) **CLAIM**

The ornamental design for a bipod, as shown and described.

DESCRIPTION

FIG. 1 is an upper front right perspective view of a first embodiment design of the novel bipod.

FIG. 2 is a lower front right perspective view of the bipod of FIG. 1.

FIG. 3 is a front perspective view of the bipod of FIG. 1.

FIG. 4 is a rear perspective view of the bipod of FIG. 1.

FIG. 5 is a right side perspective view of the bipod of FIG. 1.

FIG. 6 is a left side perspective view of the bipod of FIG. 1.

FIG. 7 is a top perspective view of the bipod of FIG. 1.

FIG. 8 is a bottom perspective view of the bipod of FIG. 1.

FIG. 9 is an upper front right side perspective view of a bipod showing our new design shown in an alternate position with the legs in an extended condition;

FIG. 10 is a lower front right perspective view of the bipod of FIG. 9.

FIG. 11 is a front perspective view of the bipod of FIG. 9.

FIG. 12 is a rear perspective view of the bipod of FIG. 9.

FIG. 13 is a right side perspective view of the bipod of FIG. 9.

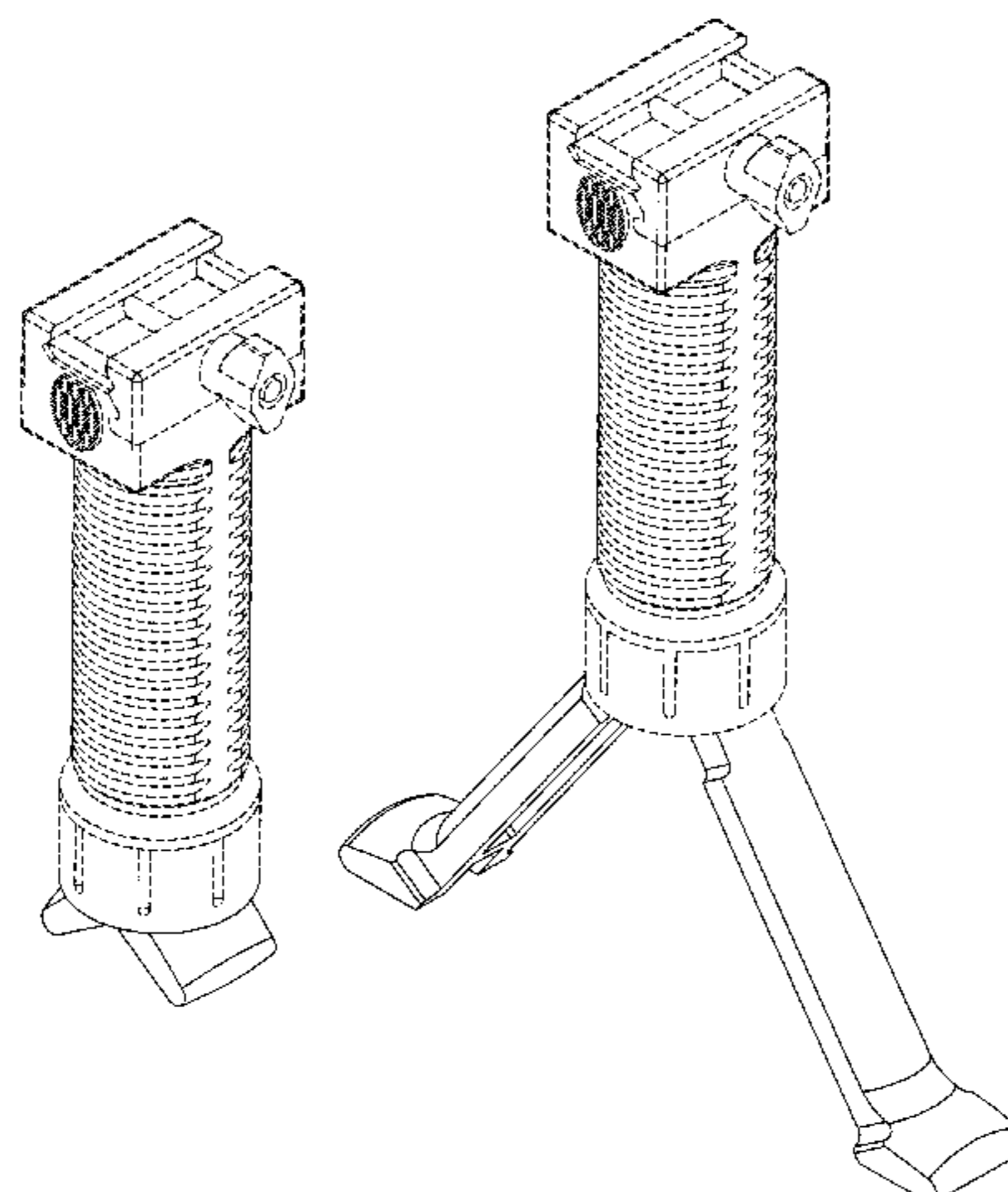
FIG. 14 is a left side perspective view of the bipod of FIG. 9.

FIG. 15 is a top perspective view of the bipod of FIG. 9; and,

FIG. 16 is a bottom perspective view of the bipod of FIG. 9.

The broken lines are for illustrative purposes only and form no part of the claimed design.

1 Claim, 14 Drawing Sheets



US D566,220 S

Page 2

U.S. PATENT DOCUMENTS

579,529 A	1/1897	Stephens	280/300	D346,636 S *	5/1994	Bechtel	D22/108
721,425 A	2/1903	Clyde	248/170	5,345,706 A	9/1994	Brown	42/94
1,295,688 A	2/1919	Butler			5,384,609 A	1/1995	Ogawa et al.	354/81
1,355,660 A	10/1920	Farquhar et al.			D356,137 S *	3/1995	Hull et al.	D22/108
1,382,409 A	6/1921	Butler			5,438,786 A	8/1995	Hilderbrand	42/94
1,580,406 A	4/1926	Browning			D390,301 S *	2/1998	Peterson	D22/108
2,386,802 A	10/1945	Johnson			6,289,622 B1	9/2001	Desch, Jr. et al.	42/94
2,420,267 A	5/1947	Sefried			6,487,807 B1	12/2002	Kopman et al.		
2,436,349 A	2/1948	Adams			7,111,424 B1 *	9/2006	Moody et al.	42/72
2,489,283 A	11/1949	Garand	42/94	7,121,034 B2 *	10/2006	Keng	42/71.01
2,763,456 A	9/1956	Breer	248/186.1	7,222,451 B2 *	5/2007	Keng et al.	42/94
3,235,997 A	2/1966	Stoner			2005/0241206 A1	11/2005	Teetzel et al.	42/72
3,632,073 A	1/1972	Nakatani	248/169	2006/0277809 A1 *	12/2006	Moody et al.	42/72
4,121,799 A	10/1978	Michio	248/171	2007/0079541 A1 *	4/2007	Peterson	42/94
4,545,660 A	10/1985	Rudolf	396/425					
D304,062 S *	10/1989	Barrett	D22/103					

* cited by examiner

Fig. 1

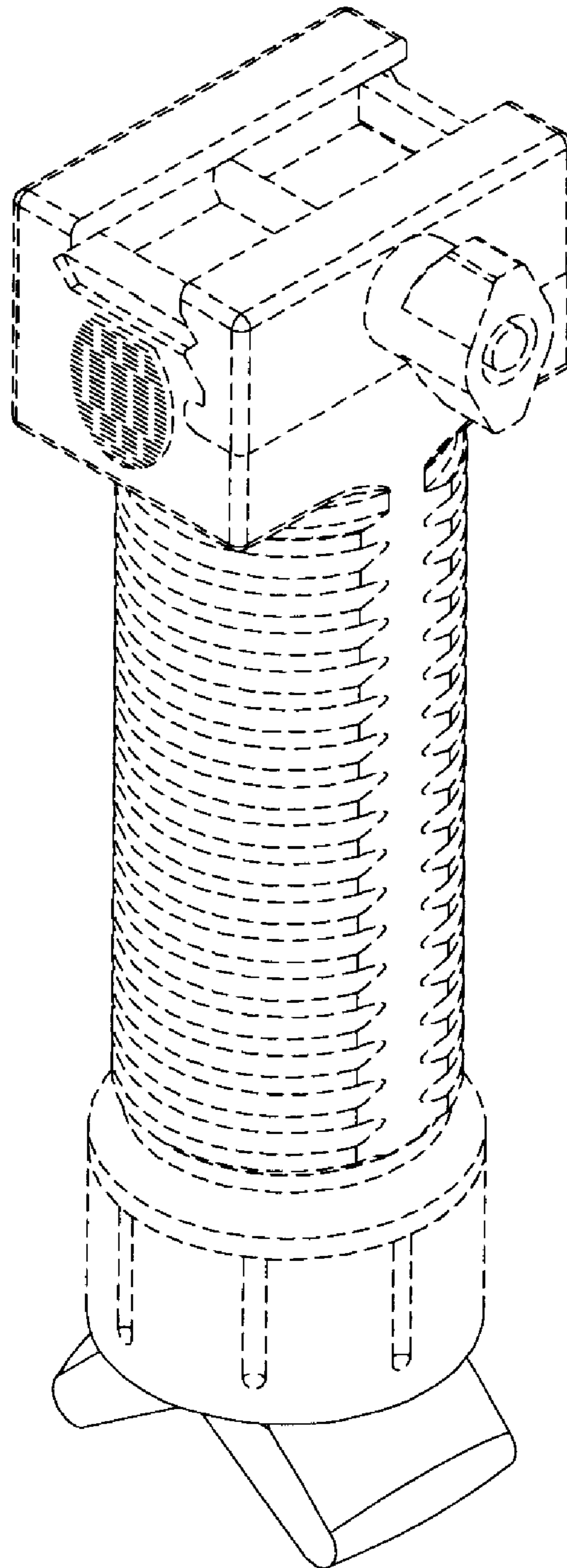


Fig. 2

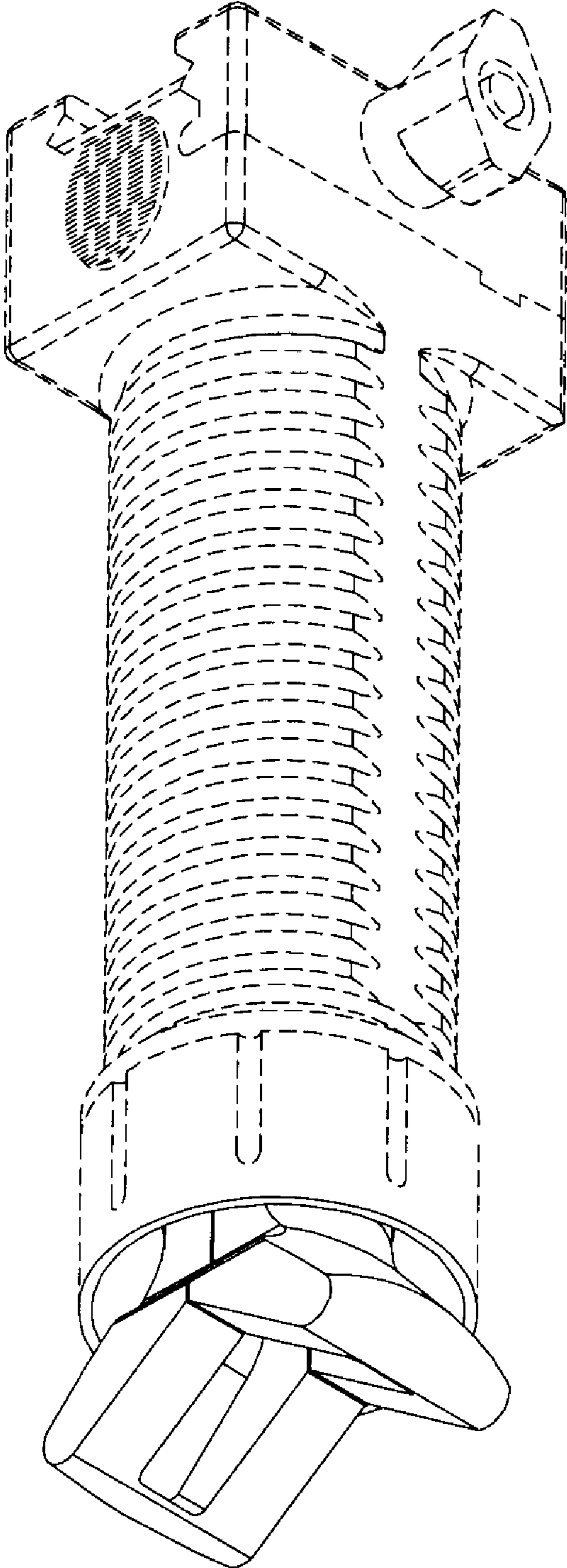


Fig. 3

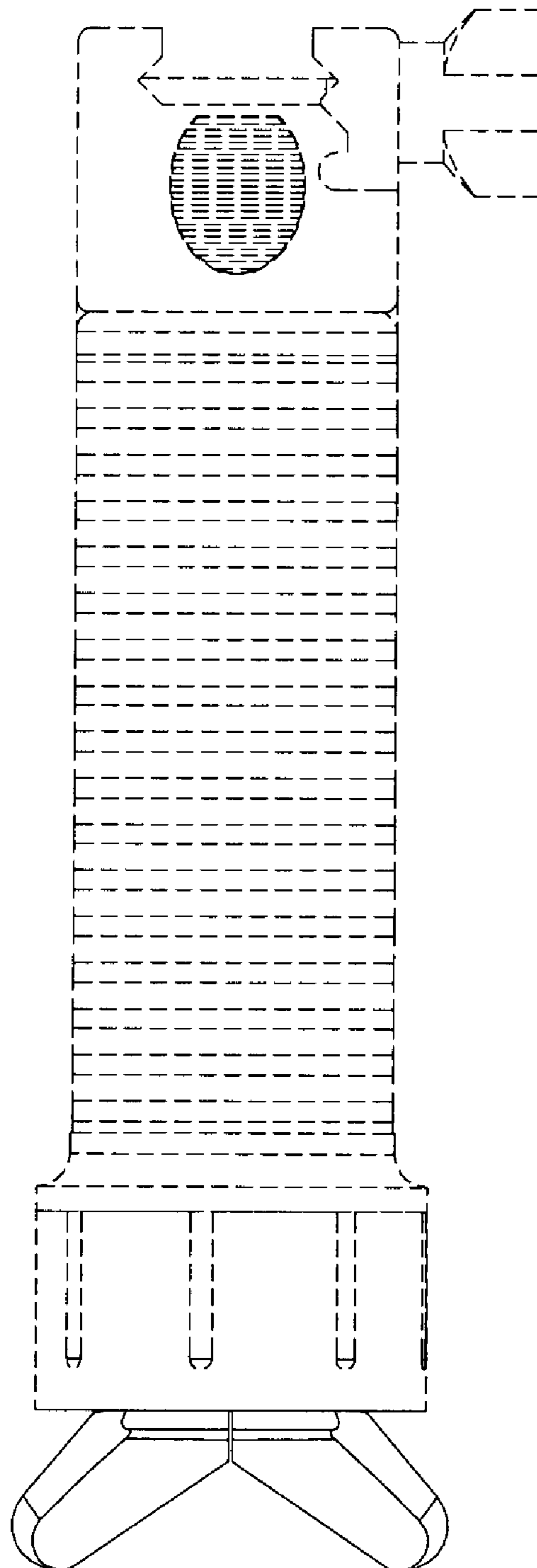


Fig. 4

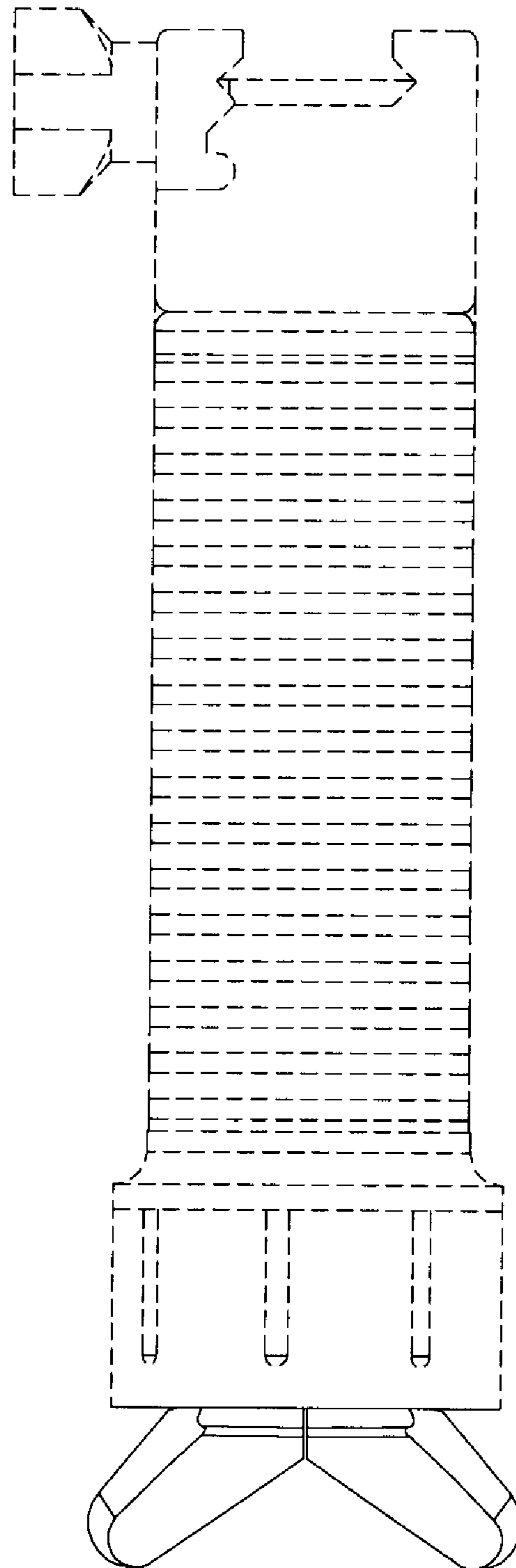


Fig. 5

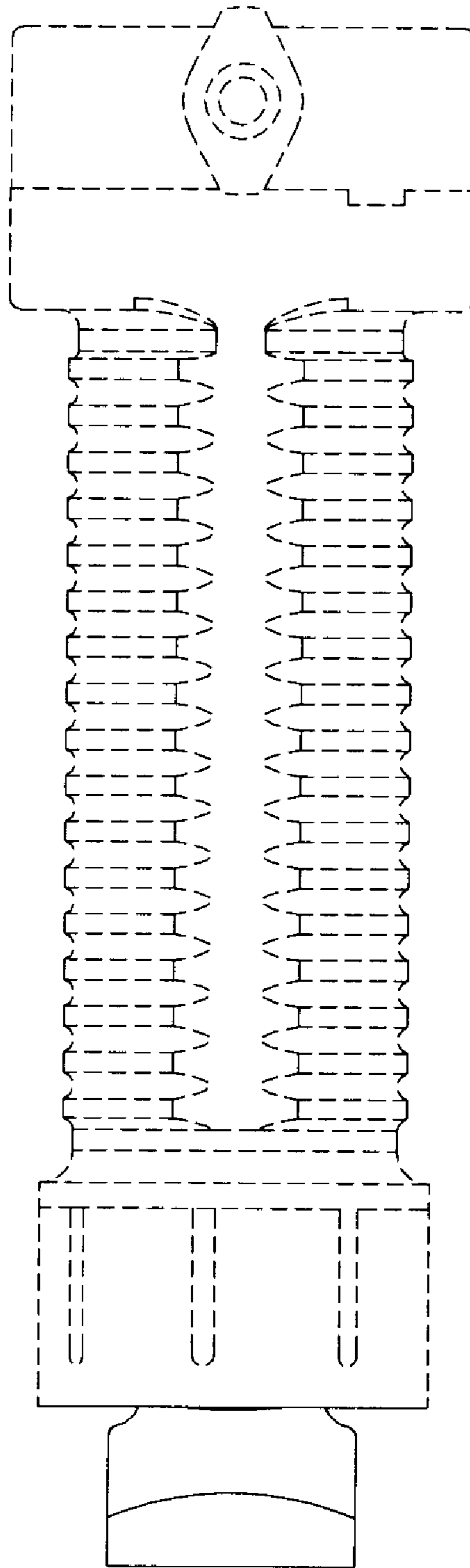


Fig. 6

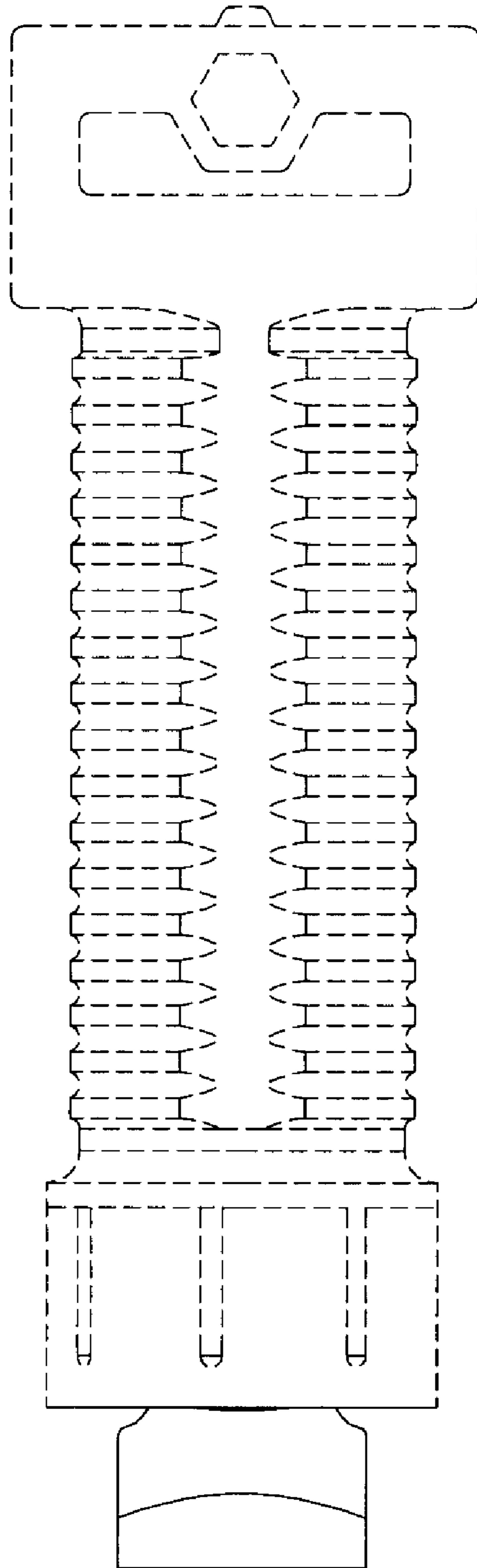


Fig. 7

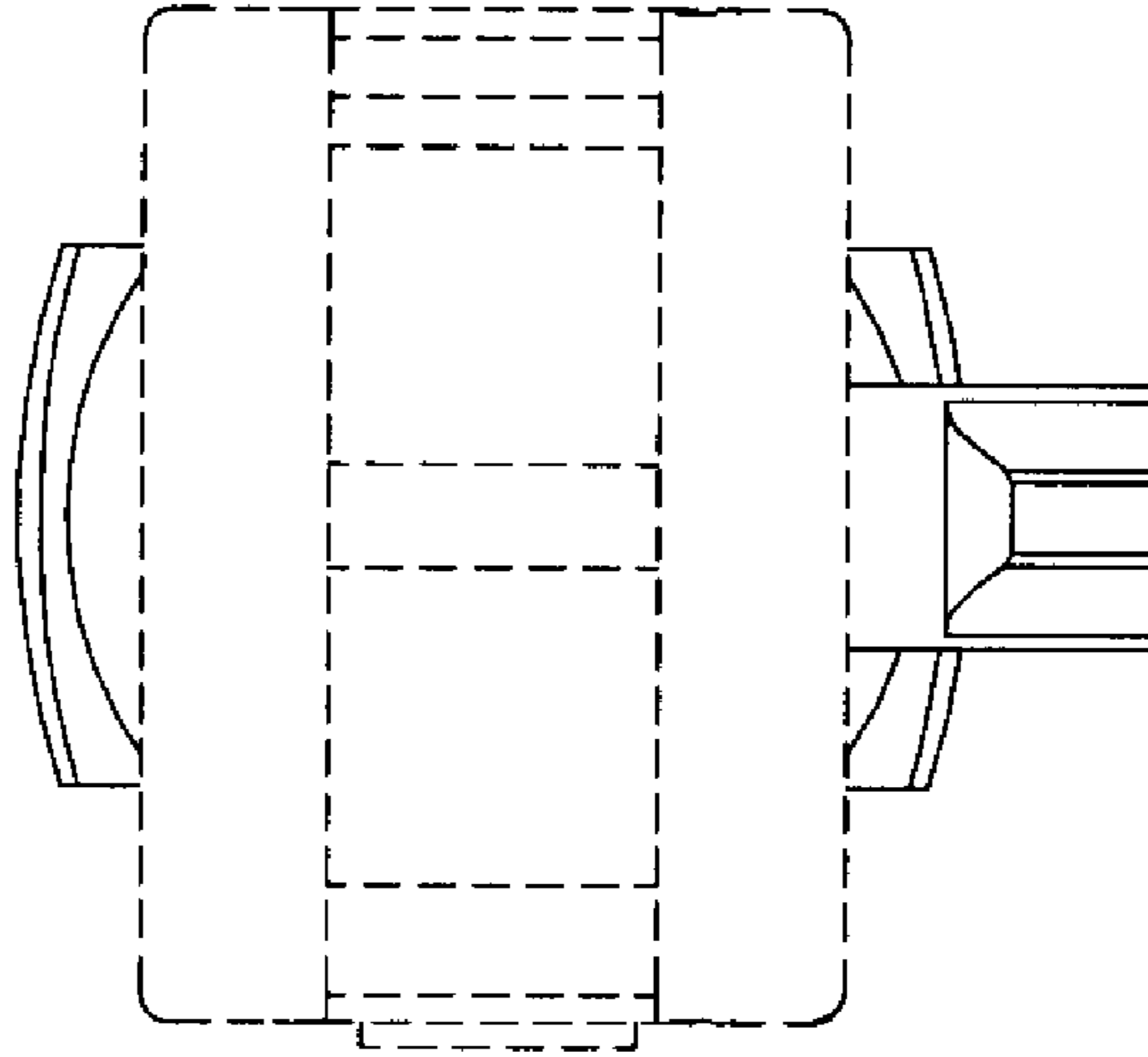
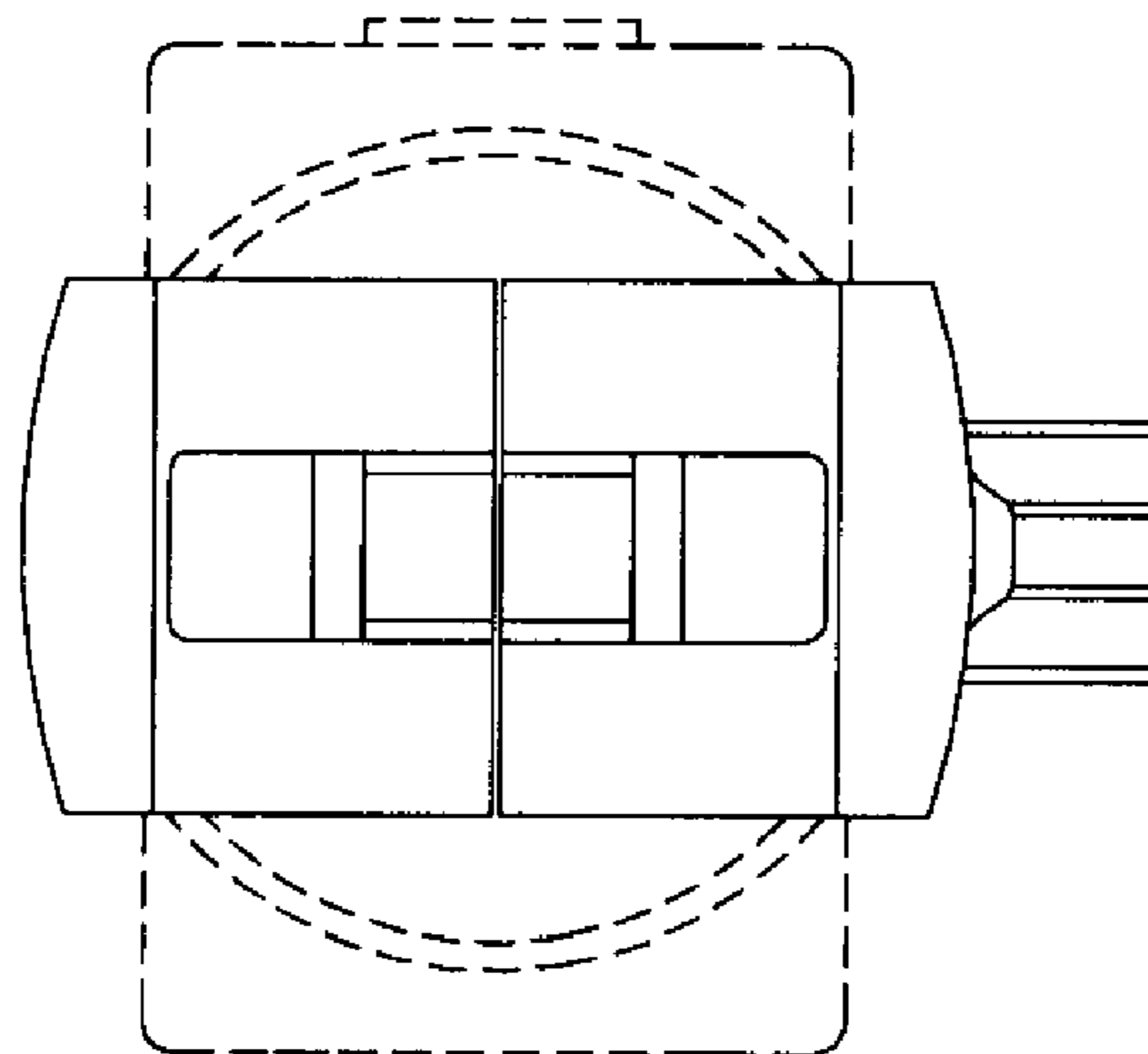


Fig. 8



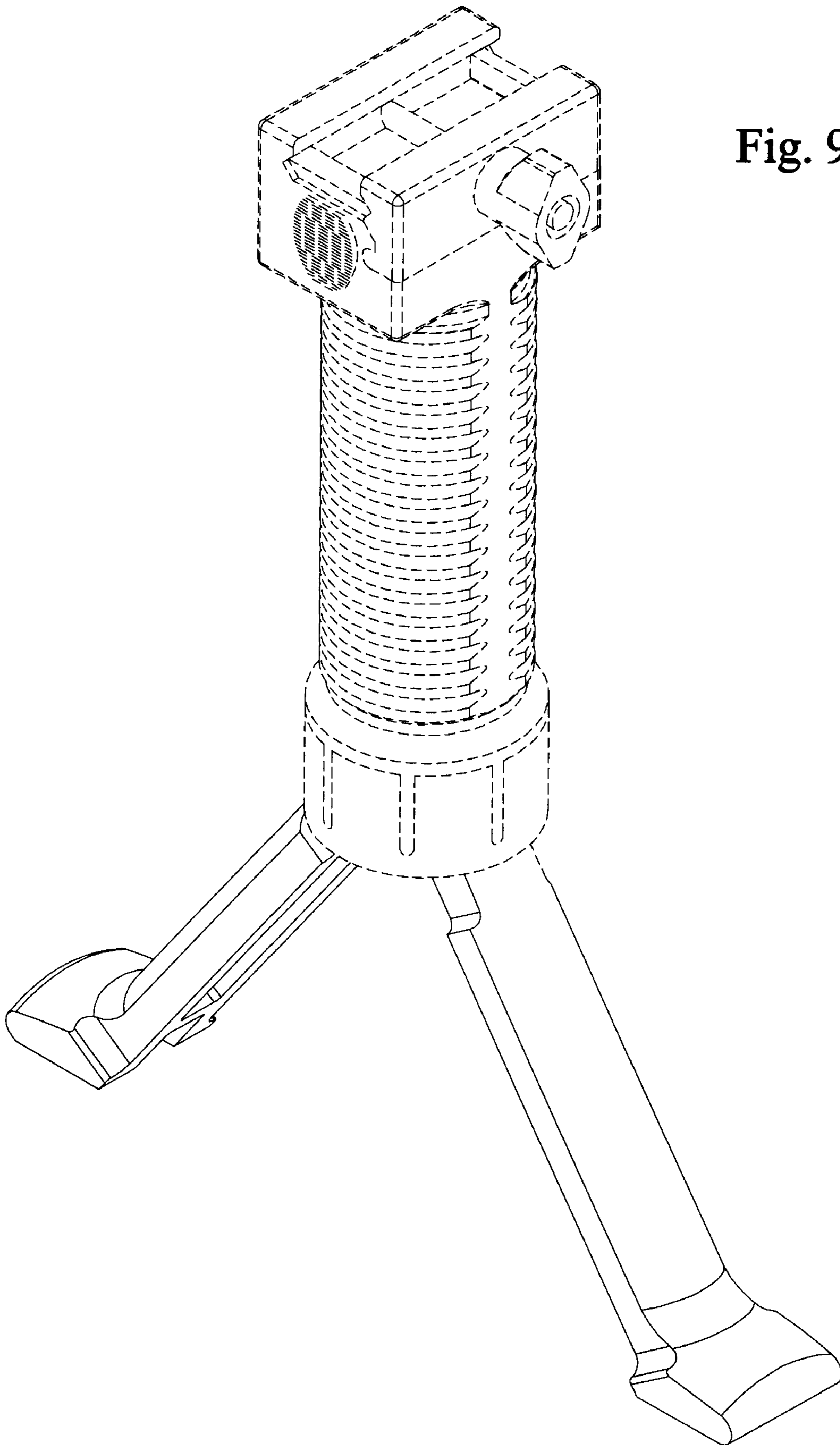


Fig. 9

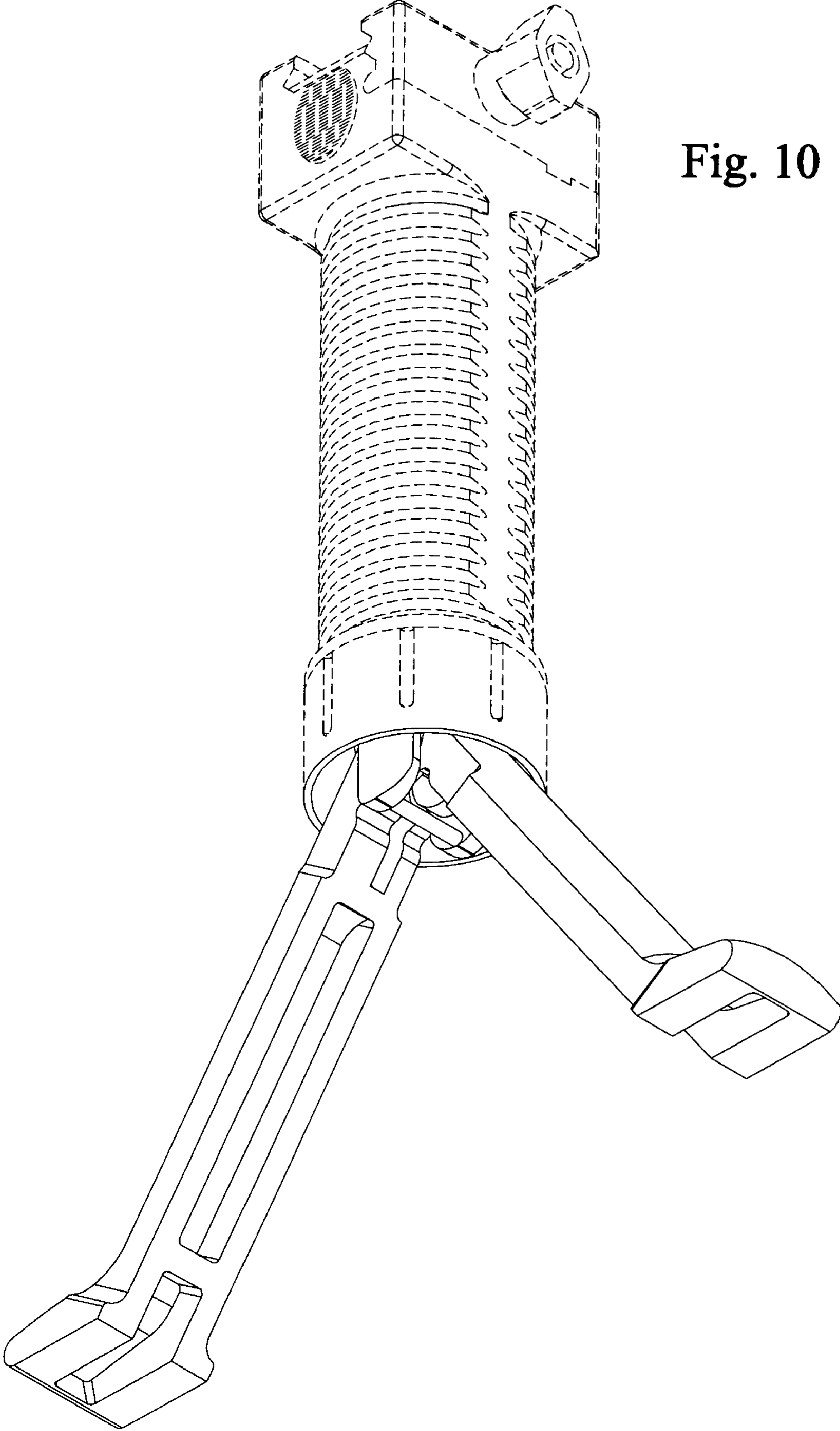


Fig. 10

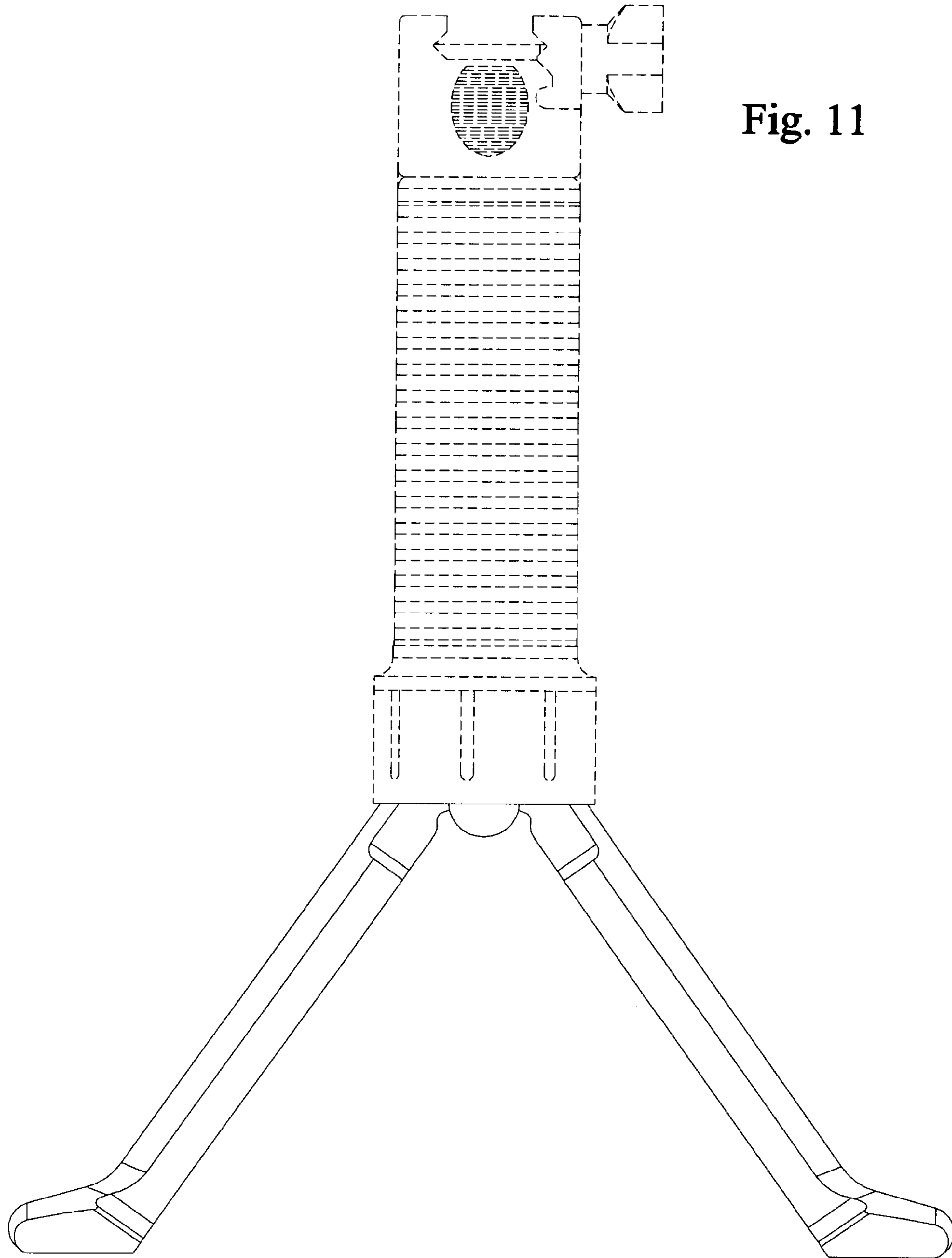
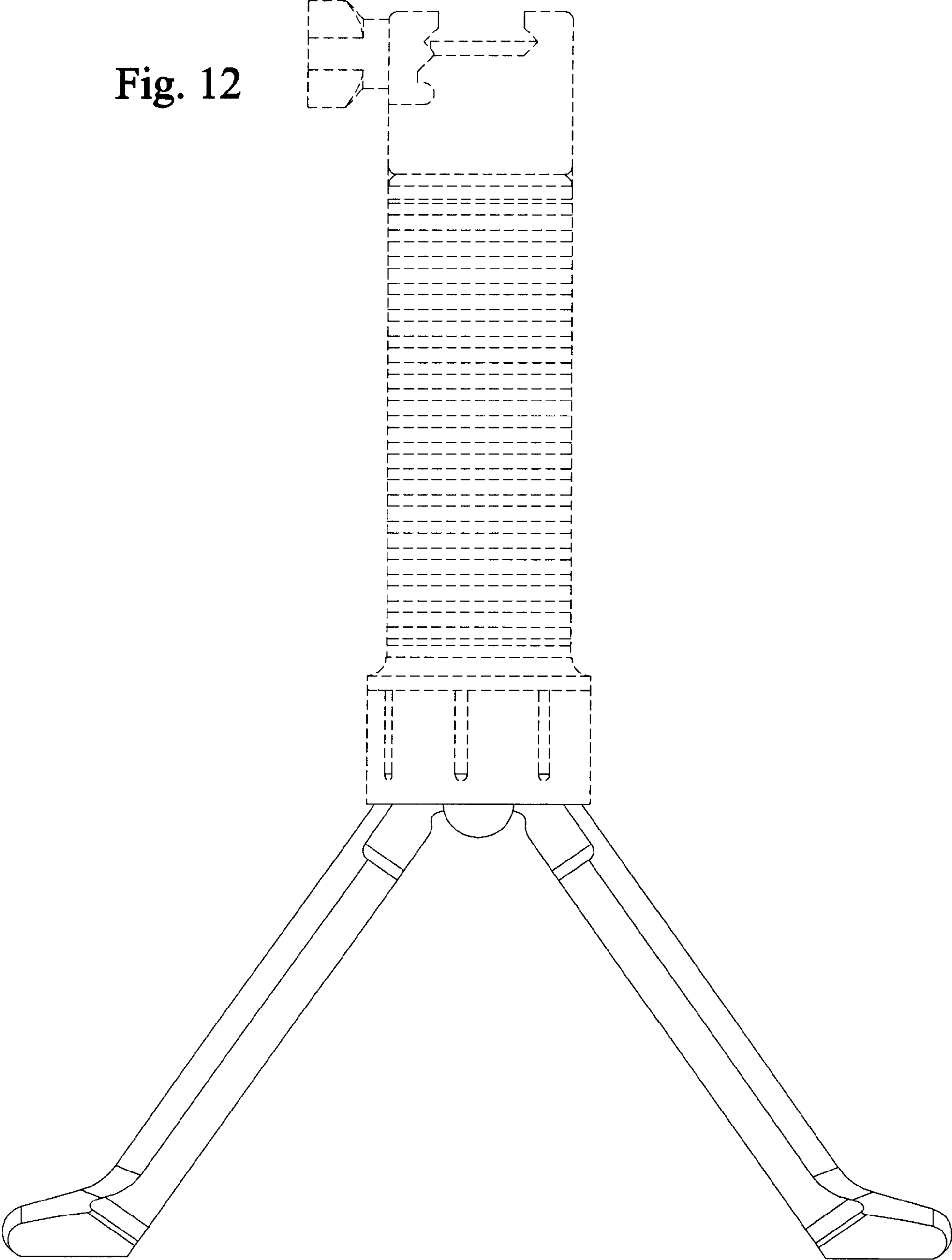


Fig. 11

Fig. 12



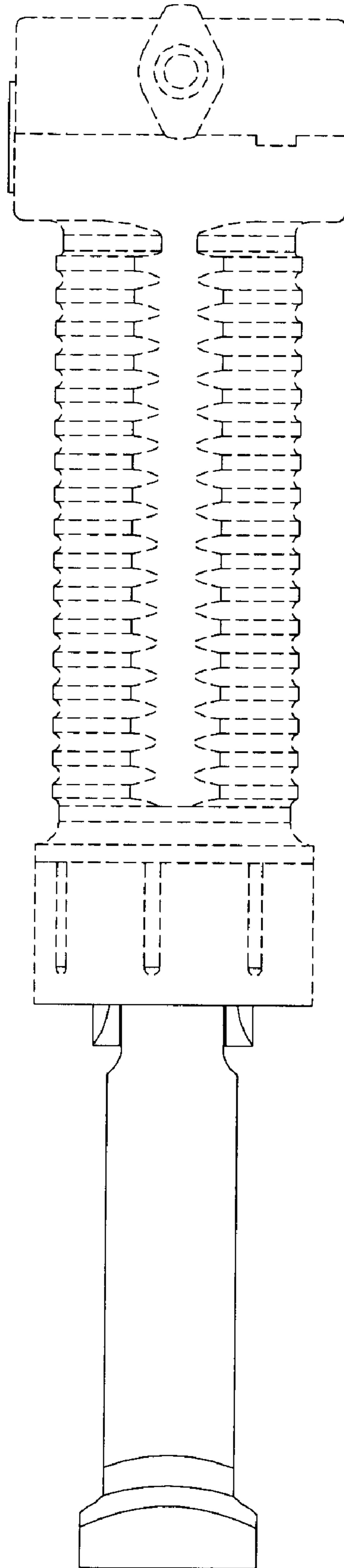


Fig.13

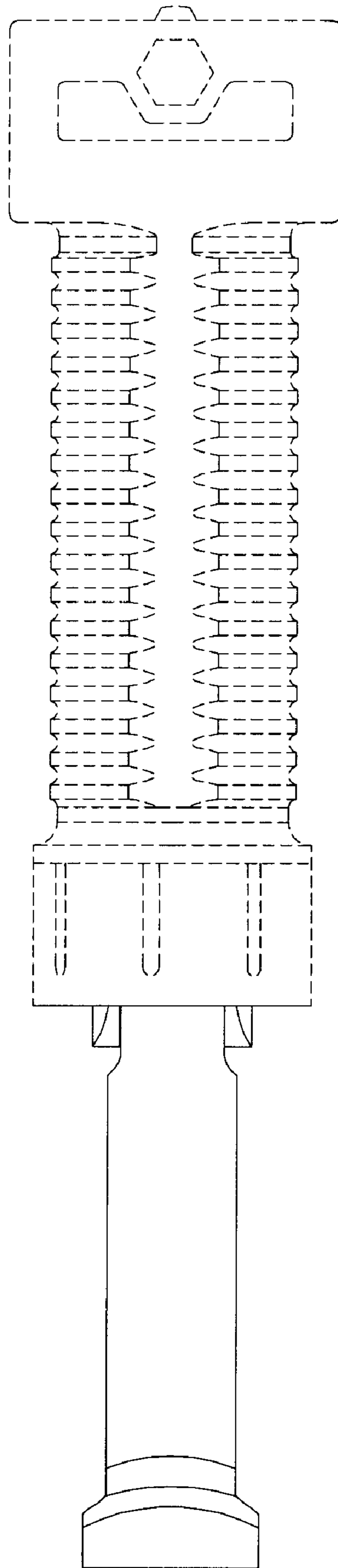


Fig. 14

Fig. 15

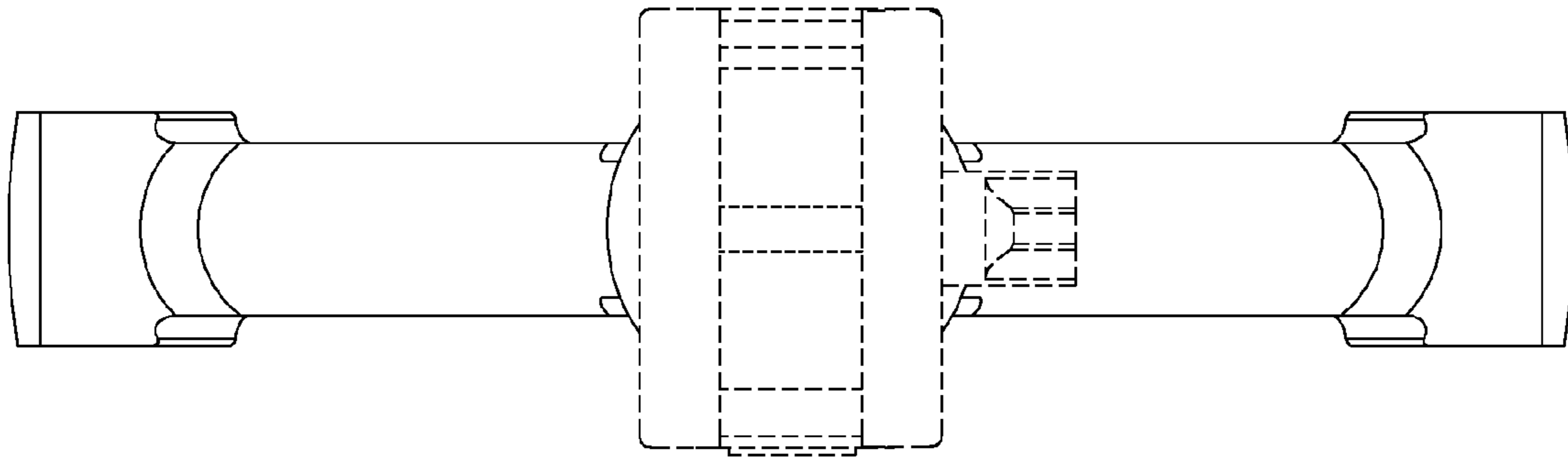


Fig. 16

