



US00D566219S

(12) **United States Design Patent**
Moody et al.

(10) **Patent No.:** **US D566,219 S**
(45) **Date of Patent:** **** Apr. 8, 2008**

(54) **VERTICAL FORE GRIP AND BIPOD**

(75) Inventors: **Joseph R. Moody**, Jacksonville, FL (US); **Joseph D. Gaddini**, Evans, GA (US)

(73) Assignee: **Grip Pod Systems, L.L.C.**, Jacksonville, FL (US)

(**) Term: **14 Years**

(21) Appl. No.: **29/259,347**

(22) Filed: **May 5, 2006**

Related U.S. Application Data

(63) Continuation-in-part of application No. 10/725,082, filed on Dec. 2, 2003, now Pat. No. 7,111,424.

(51) **LOC (8) Cl.** **22-01**

(52) **U.S. Cl.** **D22/108**

(58) **Field of Classification Search** D22/100, D22/103, 108, 199; 42/72, 94, 71.01, 127, 42/85; 89/37.03, 40.06, 37.04; 248/171, 248/188.5, 169, 181.1, 155, 16, 170, 183, 248/186; 396/425, 428; 124/29
See application file for complete search history.

(56) **References Cited**

U.S. PATENT DOCUMENTS

271,251 A	1/1883	Leerbech et al.	
579,529 A	1/1897	Stephens	280/300
721,425 A	2/1903	Clyde	248/170
1,295,688 A	2/1919	Butler	
1,355,660 A	10/1920	Farquhar et al.	
1,382,409 A	6/1921	Butler	

(Continued)

OTHER PUBLICATIONS

Brugger & Thomet Unipod, Forward grip with retractable bipod, [online] DSA Inc. Systems Second to None, DSA Order Center, 1 page, [Retrieved on Oct. 17, 2006] Retrieved from: <http://www.dsarms.com/item-detail.cfm?ID=BT21830A&storeid=&image=bt21830A.gif>.

Primary Examiner—Ian Simmons

Assistant Examiner—Melanie Levy

(74) *Attorney, Agent, or Firm*—Brian S. Steinberger; Law Offices of Brian S. Steinberger, P.A.

(57) **CLAIM**

The ornamental design for a vertical fore grip and bipod, as shown and described.

DESCRIPTION

FIG. 1 is a top, front, and right side perspective view of a vertical fore grip and bipod showing our new design;

FIG. 2 is a bottom front and right side perspective view thereof;

FIG. 3 is a front elevational view thereof;

FIG. 4 is a rear elevational view thereof;

FIG. 5 is a right side elevational view thereof;

FIG. 6 is a left side elevational view thereof;

FIG. 7 is a top plan view thereof;

FIG. 8 is a bottom plan view thereof;

FIG. 9 is a top, front, and right side perspective view of a vertical fore grip and bipod showing our new design with the bipod legs in an extended condition;

FIG. 10 is a bottom front and right side perspective view of FIG. 9;

FIG. 11 is a front elevational view of FIG. 9;

FIG. 12 is a rear elevational view of FIG. 9;

FIG. 13 is a right side elevational view of FIG. 9;

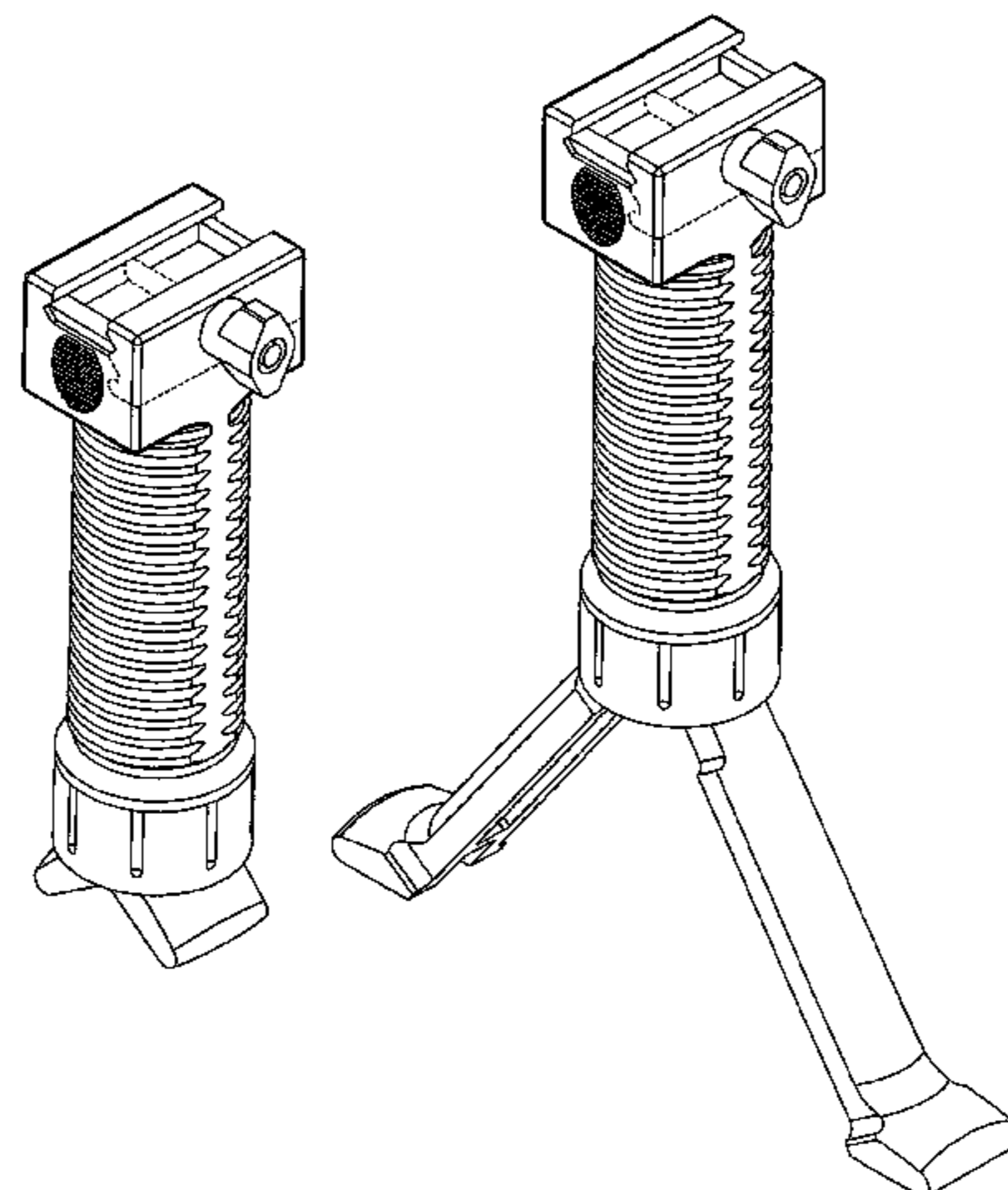
FIG. 14 is a left side elevational view of FIG. 9;

FIG. 15 is a top plan view of FIG. 9; and,

FIG. 16 is a bottom plan view of FIG. 9.

The broken lines are for illustrative purposes only and form no part of the claimed design.

1 Claim, 14 Drawing Sheets



US D566,219 S

Page 2

U.S. PATENT DOCUMENTS

1,580,406 A	4/1926	Browning	5,384,609 A	1/1995	Ogawa et al.	354/81
2,386,802 A	10/1945	Johnson	D356,137 S *	3/1995	Hull et al.	D22/108
2,420,267 A	5/1947	Sefried	5,438,786 A	8/1995	Hilderbrand	42/94
2,436,349 A	2/1948	Adams	D390,301 S *	2/1998	Peterson	D22/108
2,489,283 A	11/1949	Garand	6,289,622 B1	9/2001	Desch, Jr. et al.	42/94
2,763,456 A	9/1956	Breer	6,487,807 B1	12/2002	Kopman et al.	
3,235,997 A	2/1966	Stoner	7,111,424 B1 *	9/2006	Moody et al.	42/72
3,632,073 A	1/1972	Nakatani	7,121,034 B2 *	10/2006	Keng	42/71.01
4,121,799 A	10/1978	Michio	7,222,451 B2 *	5/2007	Keng et al.	42/94
4,545,660 A	10/1985	Rudolf	2005/0241206 A1	11/2005	Teetzel et al.	42/72
D304,062 S *	10/1989	Barrett	2006/0277809 A1 *	12/2006	Moody et al.	42/72
D346,636 S *	5/1994	Bechtel	2007/0079541 A1 *	4/2007	Peterson	42/94
5,345,706 A	9/1994	Brown				

* cited by examiner

FIG. 1

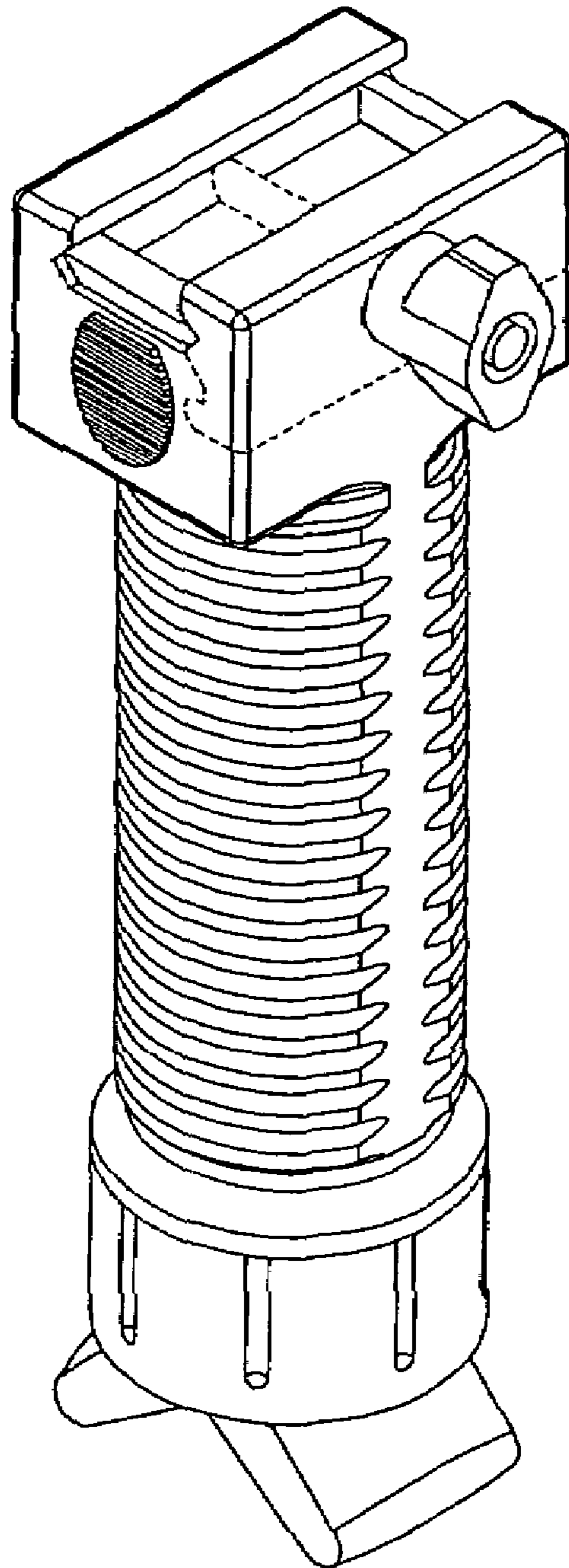


FIG. 2

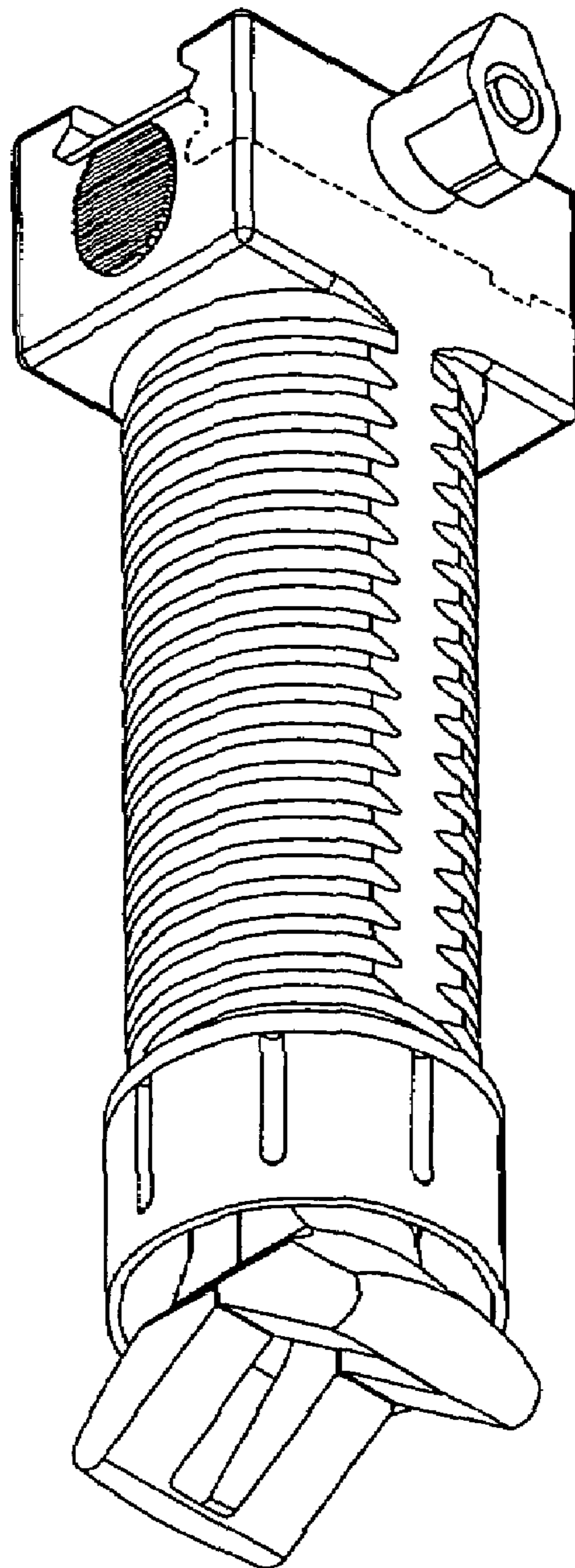


FIG. 3

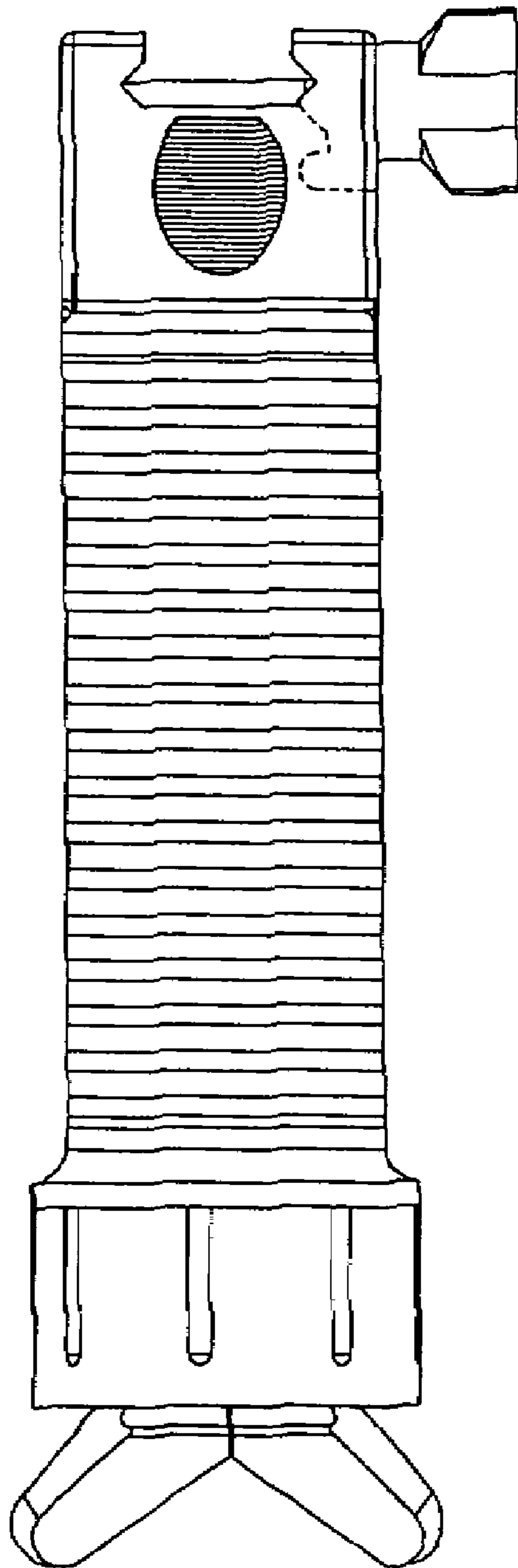


FIG. 4

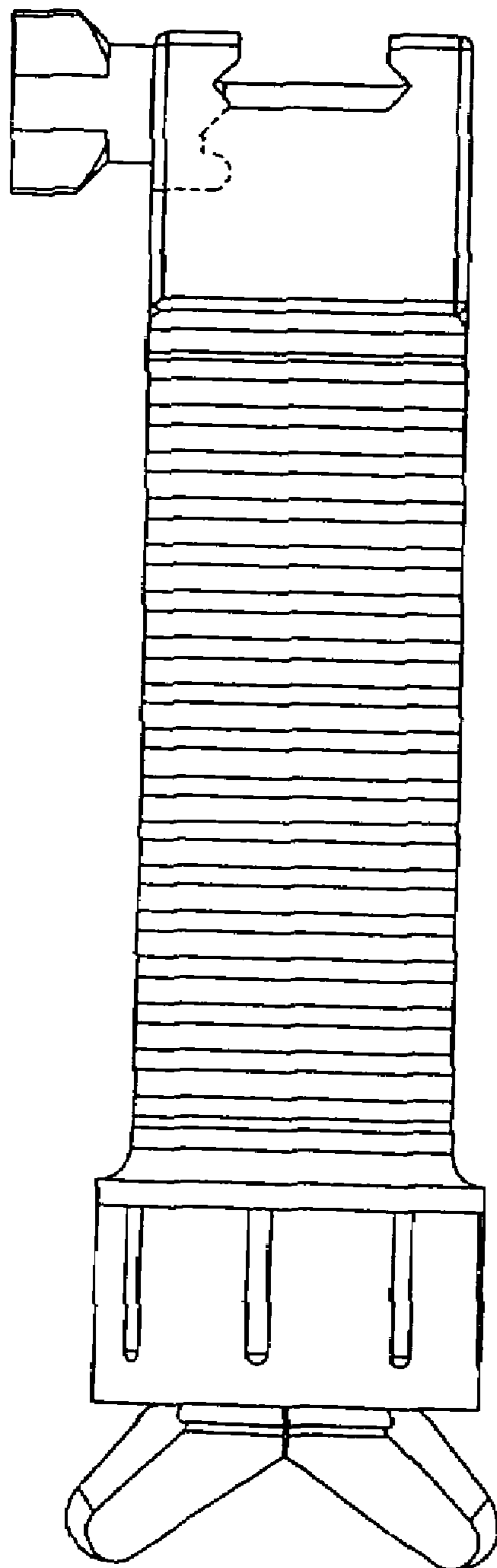


FIG. 5

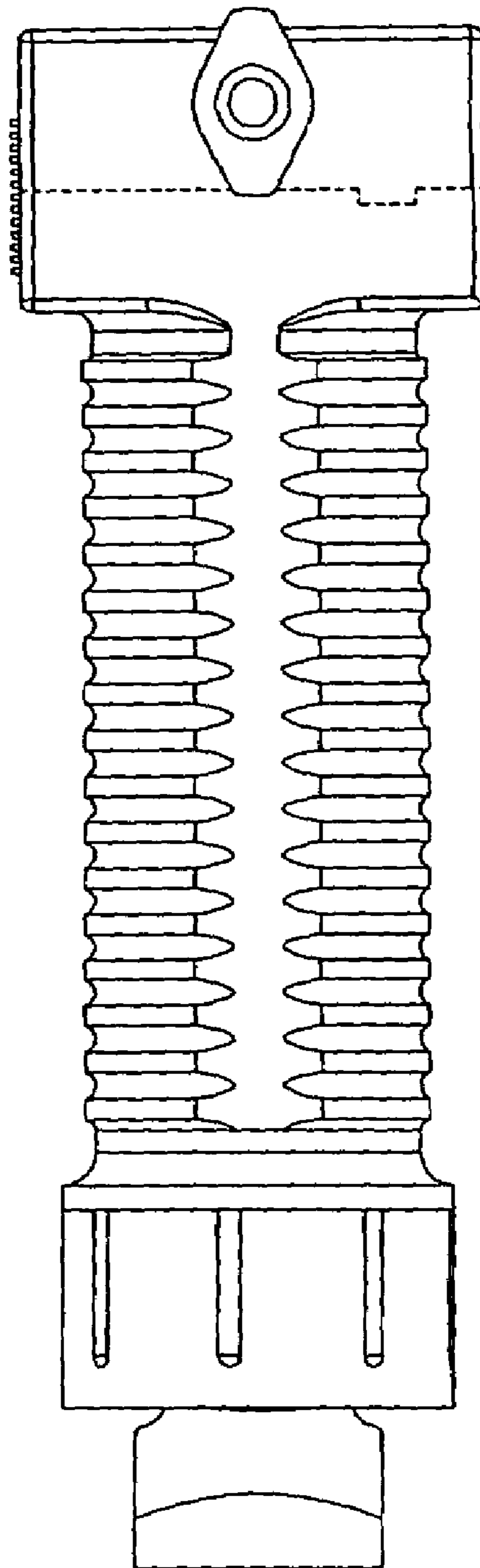


FIG. 6

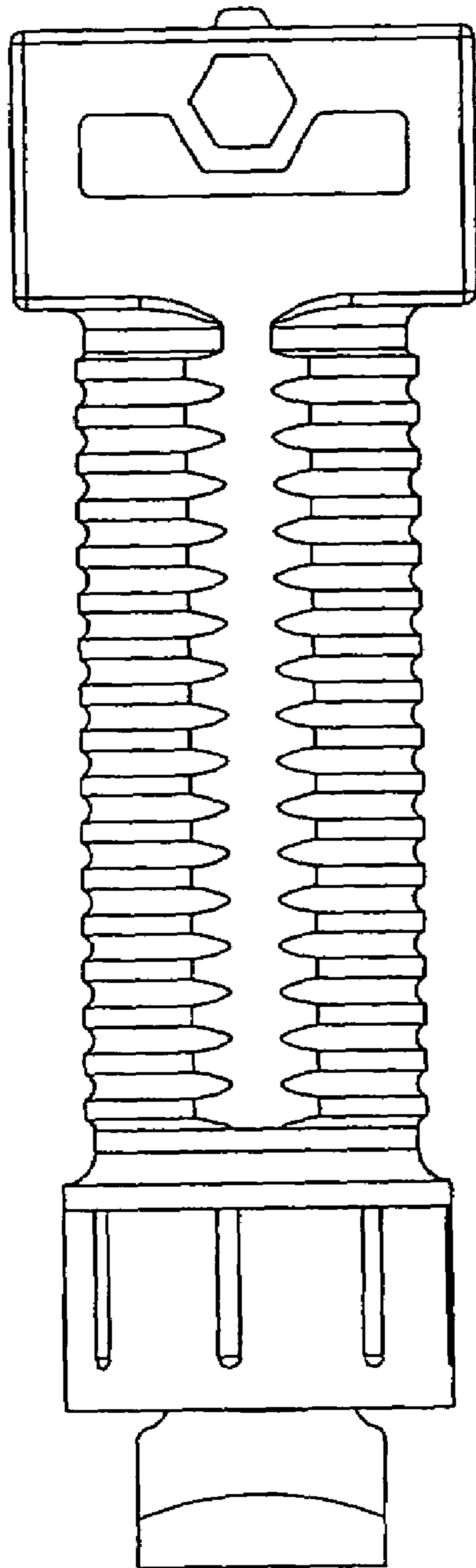


FIG. 7

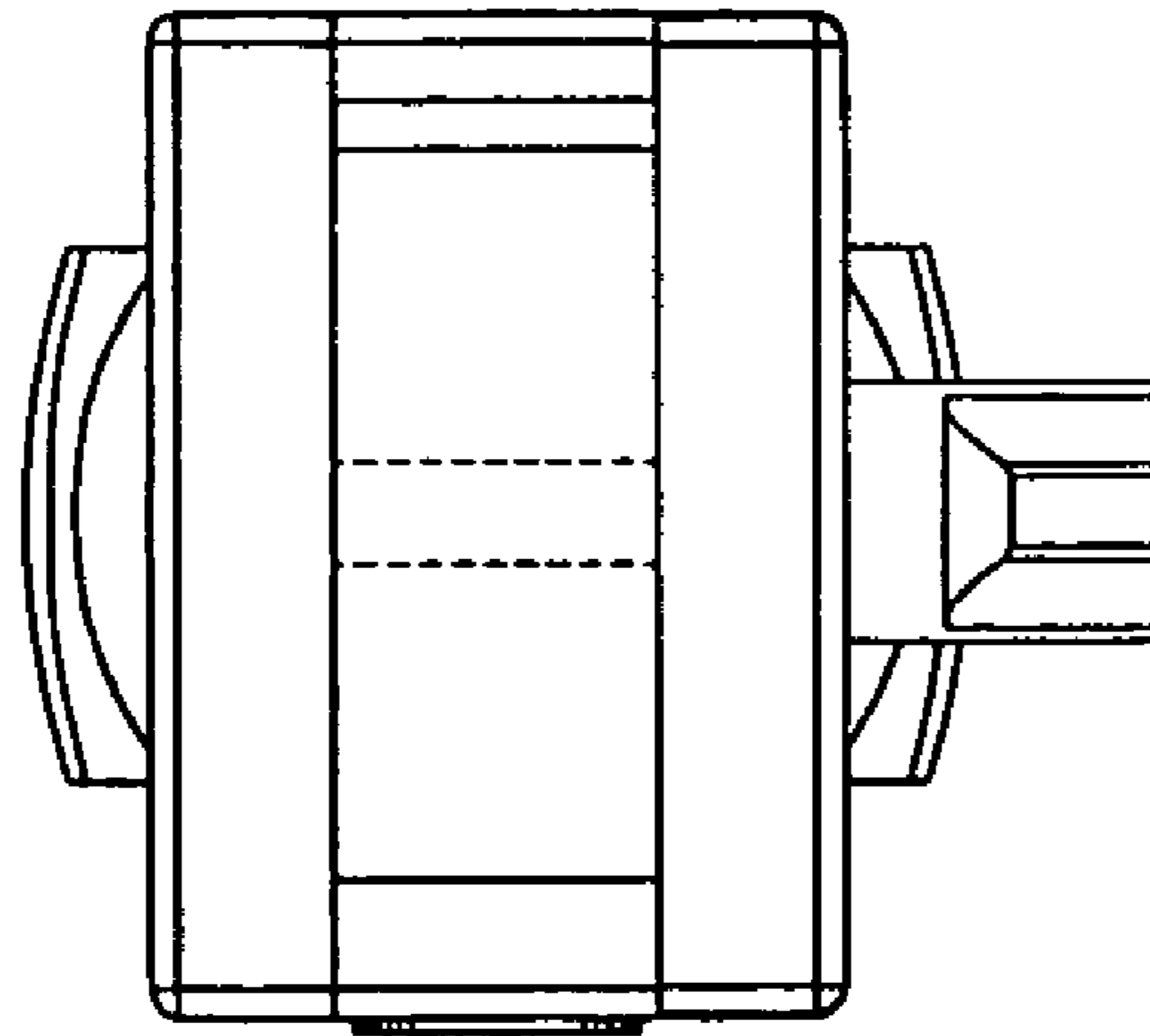


FIG. 8

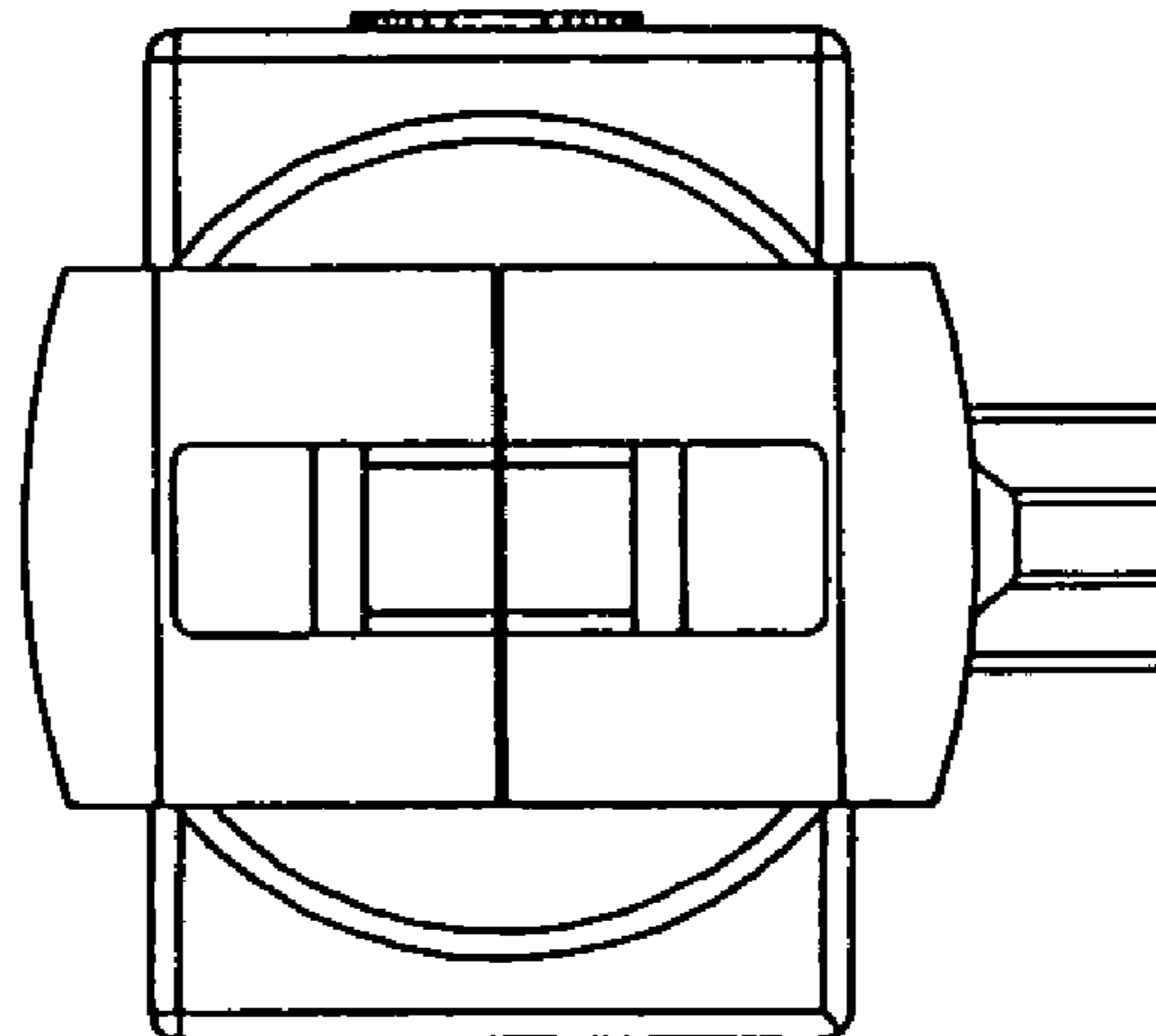


FIG. 9

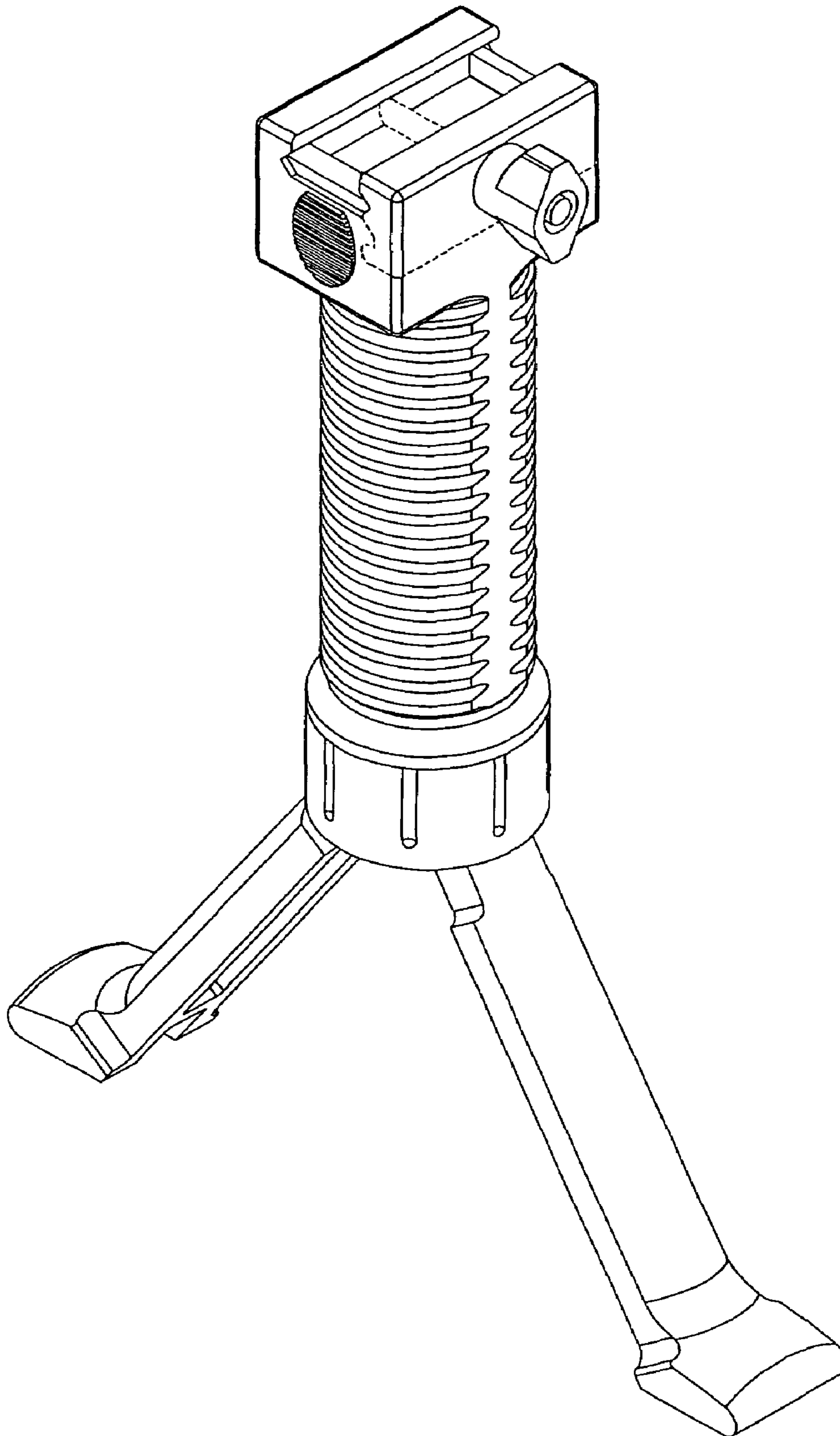


FIG. 10

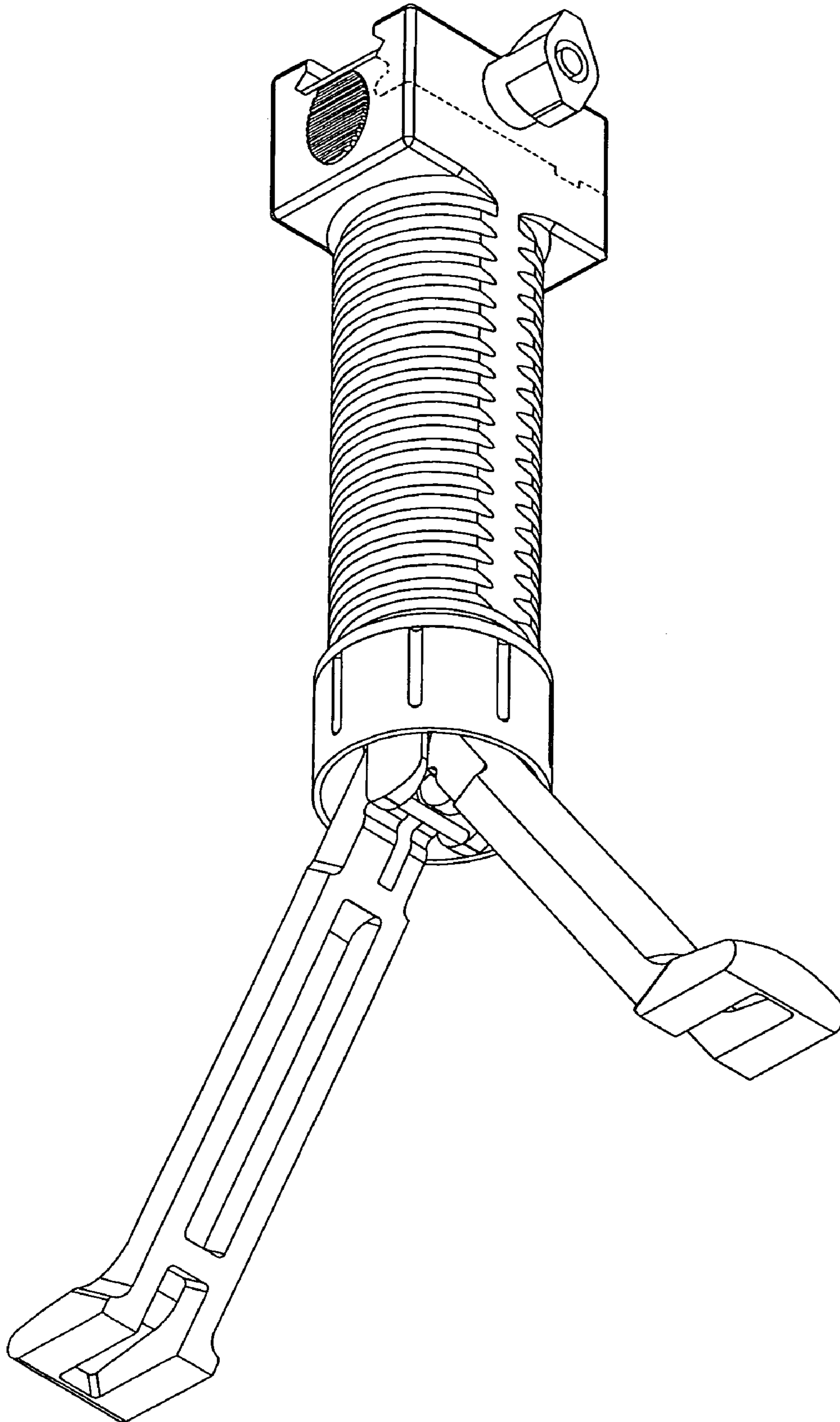


FIG. 11

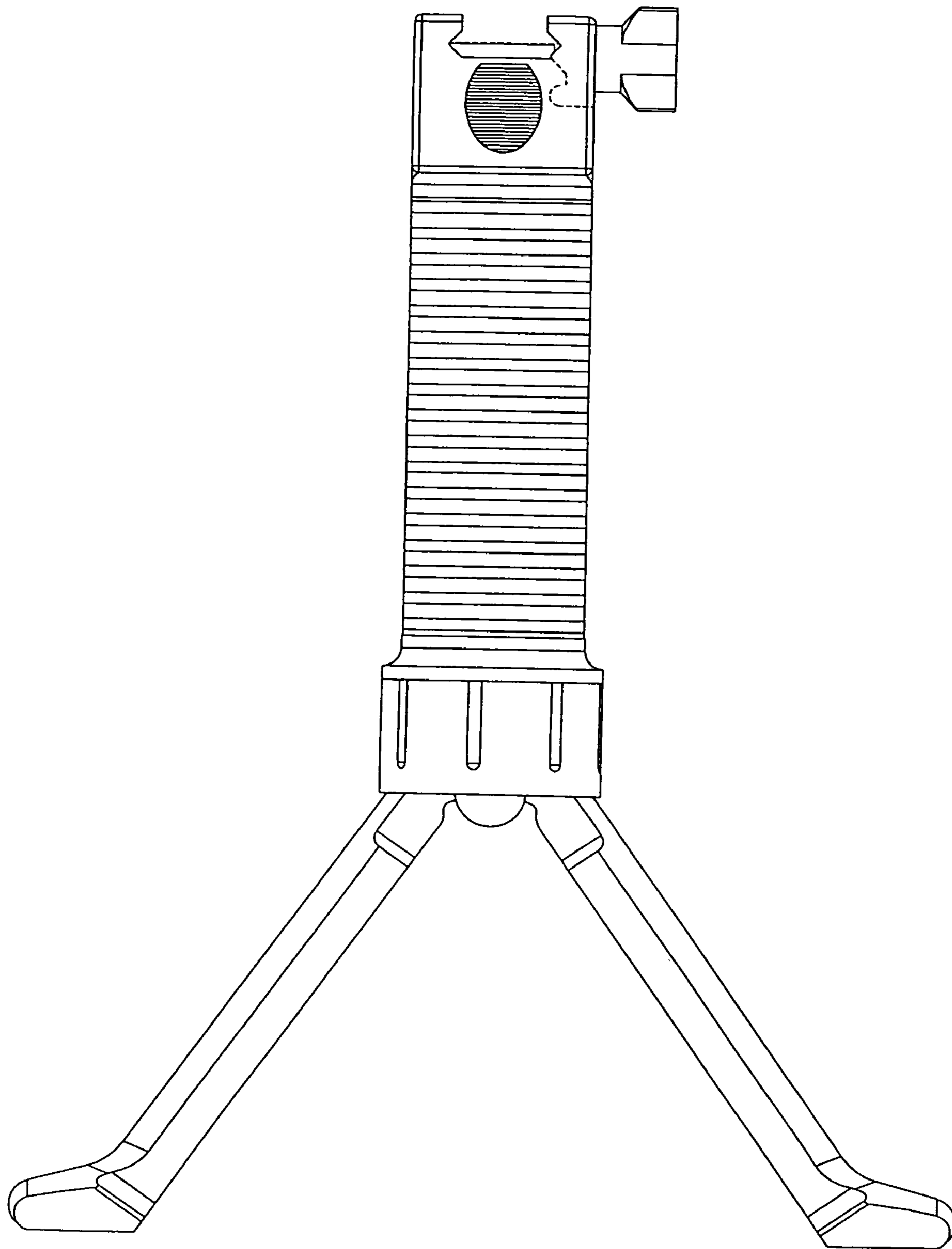


FIG. 12

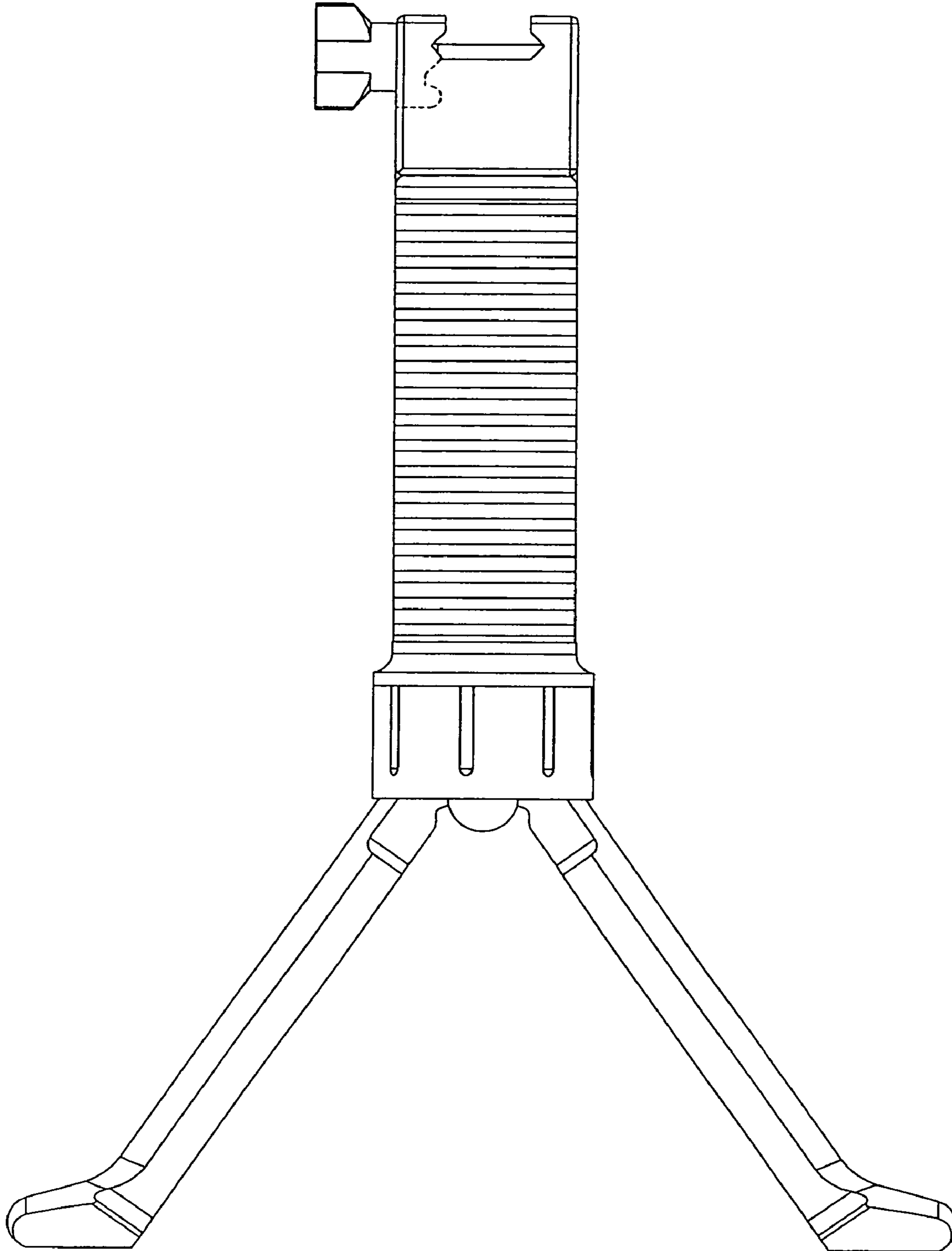


FIG. 13

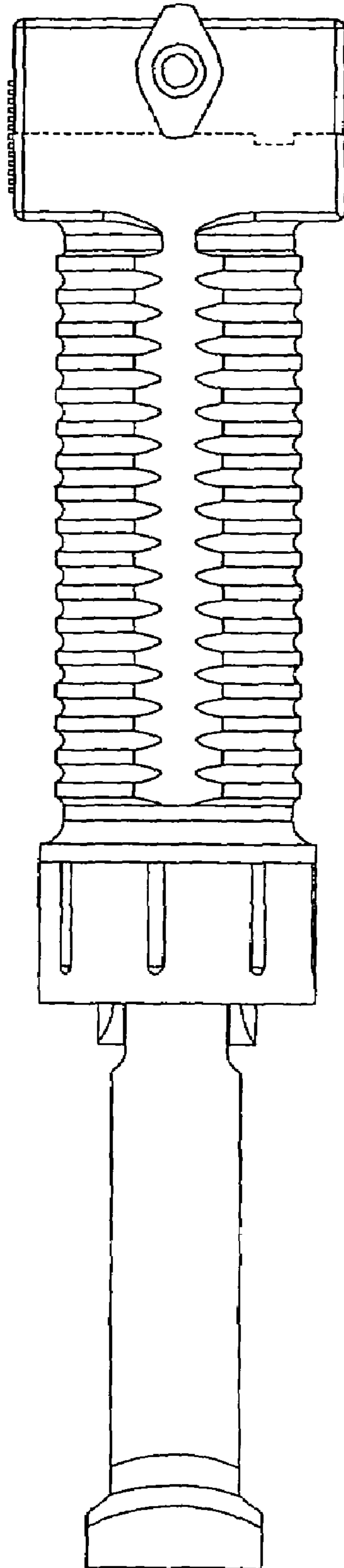


FIG. 14

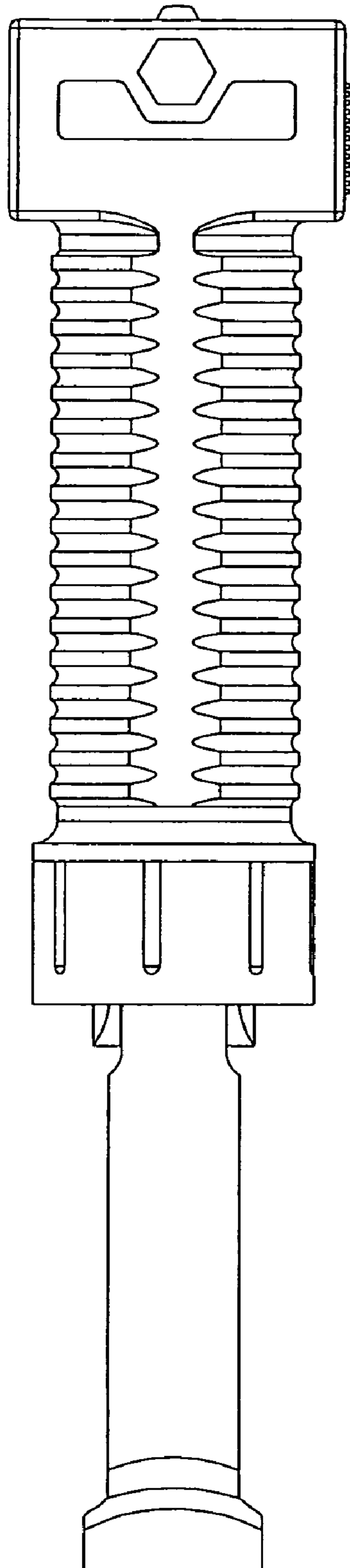


FIG. 15

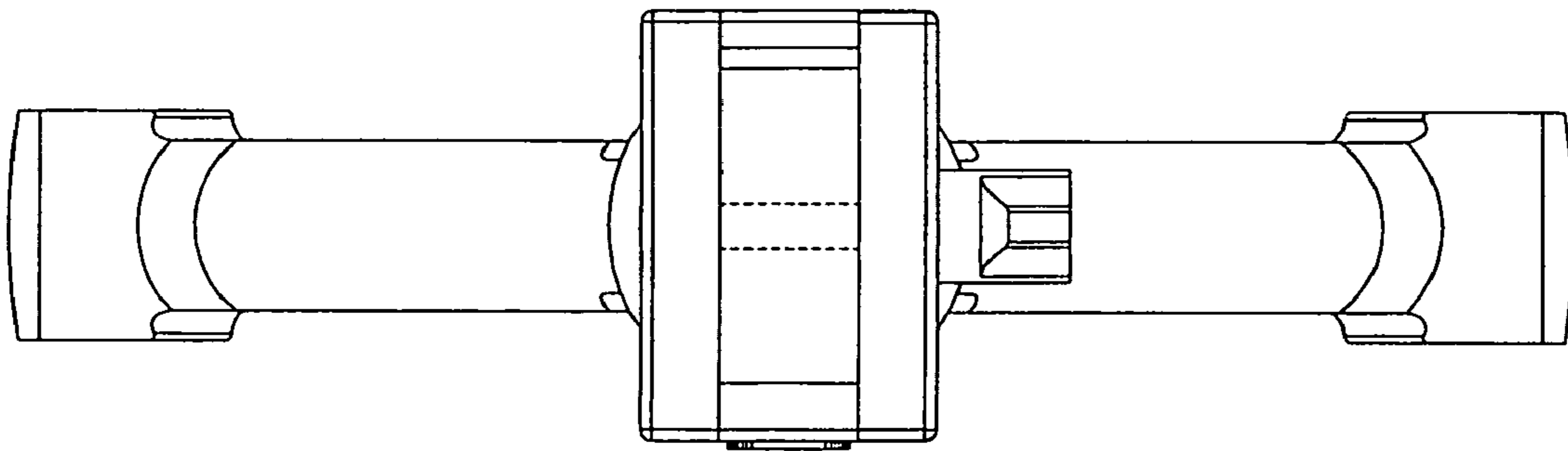


FIG. 16

