



US00D566216S

(12) **United States Design Patent**  
**Mayer et al.**

(10) **Patent No.:** **US D566,216 S**  
(45) **Date of Patent:** **\*\* Apr. 8, 2008**

(54) **ICE SKATE BLADE GUARD ROLLER APPARATUS**

3,135,526 A 6/1964 Johns  
3,281,971 A 11/1966 Weitzner  
3,292,940 A 12/1966 Weitzner  
3,338,588 A 8/1967 Couture  
3,583,720 A 6/1971 Fowlkes

(75) Inventors: **Dave Mayer**, St. Charles, MI (US);  
**Victor Posa**, Grand Blanc, MI (US);  
**Paul M. Steinhauer, Jr.**, Davison, MI (US)

(Continued)

(73) Assignee: **Rollergard, L.L.C.**, St. Charles, MI (US)

FOREIGN PATENT DOCUMENTS

CH 604785 9/1978

(\*\*) Term: **14 Years**

*Primary Examiner*—Holly H. Baynham  
*Assistant Examiner*—Cynthia M. Chin

(21) Appl. No.: **29/278,153**

(74) *Attorney, Agent, or Firm*—Robert L. Stearns;  
Dickinson Wright PLLC

(22) Filed: **Mar. 21, 2007**

(51) **LOC (8) Cl.** ..... **21-02**

(57) **CLAIM**

(52) **U.S. Cl.** ..... **D21/771; D21/772**

The ornamental design for an ice skate blade guard roller apparatus, as shown and described.

(58) **Field of Classification Search** ..... D21/760–764,  
D21/771, 772; 280/7.1–7.17, 841, 11.115,  
280/11.12, 11.19, 11.221, 11.231, 809, 811

See application file for complete search history.

**DESCRIPTION**

(56) **References Cited**

U.S. PATENT DOCUMENTS

226,835 A 4/1880 Chesterman  
250,319 A 11/1881 Yates  
310,923 A 1/1885 Wardell  
339,318 A 4/1886 Peer  
1,174,601 A 3/1916 Nathan  
1,341,853 A 6/1920 Johnson  
1,346,568 A 7/1920 Swift  
1,447,431 A 3/1923 Ritter  
1,544,770 A 7/1925 Swift  
1,554,434 A 9/1925 Johnson  
1,557,415 A 10/1925 Carey  
1,658,093 A 2/1928 Nygaard  
1,788,433 A 1/1931 Johnson  
1,925,697 A 9/1933 Johnson  
2,181,834 A 11/1939 Pierce et al.  
2,395,394 A 2/1946 Carlson  
2,642,291 A 6/1953 Condon  
D189,923 S 3/1961 Swett  
3,015,492 A 1/1962 Kesner et al.

FIG. 1 is a first perspective view of the ice skate blade guard roller apparatus;

FIG. 2 is a second perspective view of the ice skate blade guard roller apparatus;

FIG. 3 is a top view of the ice skate blade guard roller apparatus;

FIG. 4 is a bottom view of the ice skate blade guard roller apparatus;

FIG. 5 is a left-hand view of the ice skate blade guard roller apparatus;

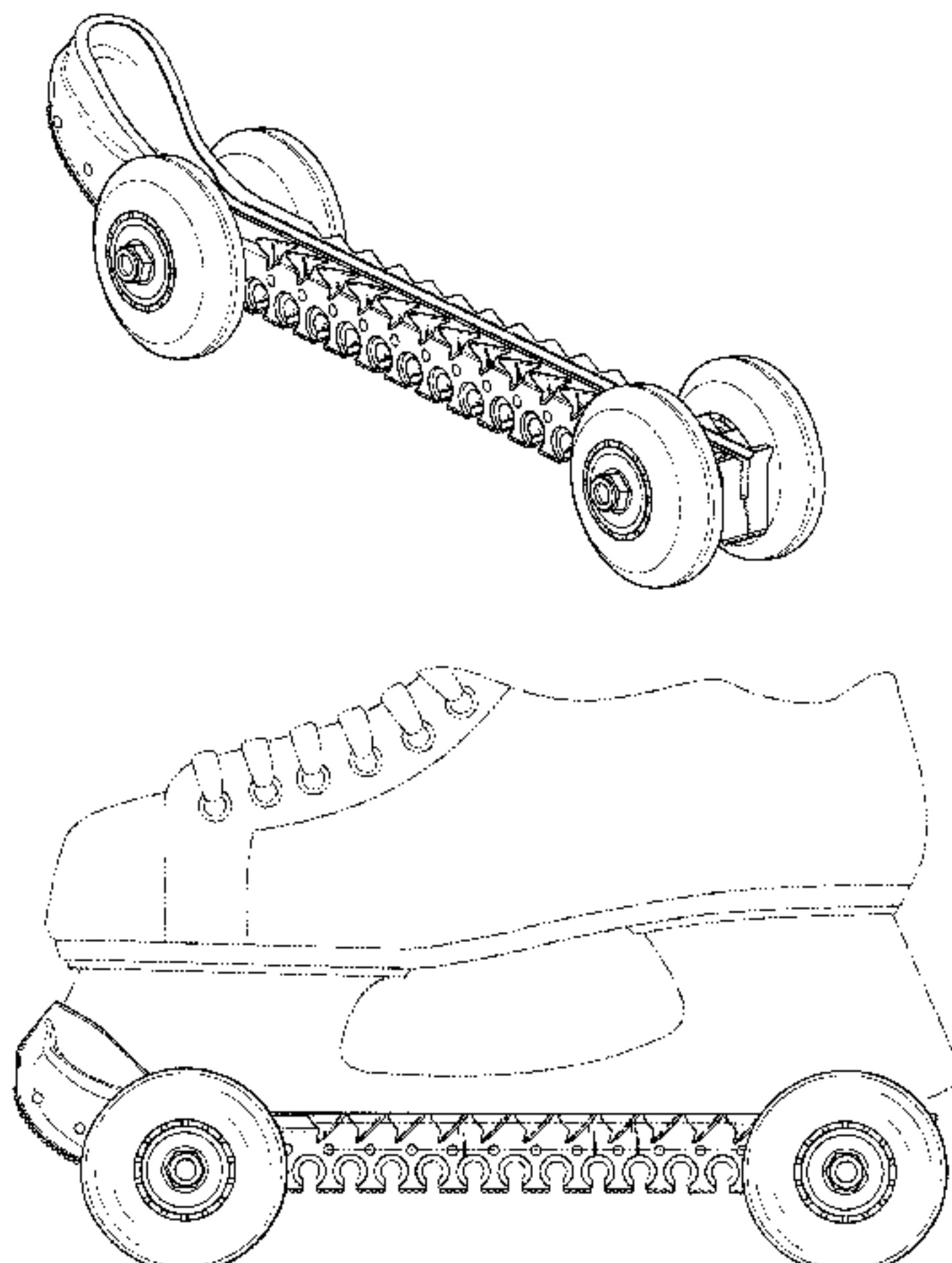
FIG. 6 is a right-hand view of the ice skate blade guard roller apparatus;

FIG. 7 is a front view of the ice skate blade guard roller apparatus; and,

FIG. 8 is a back view of the ice skate blade roller apparatus.

The broken lines are for illustrative purposes only and form no part of the claimed design.

**1 Claim, 5 Drawing Sheets**



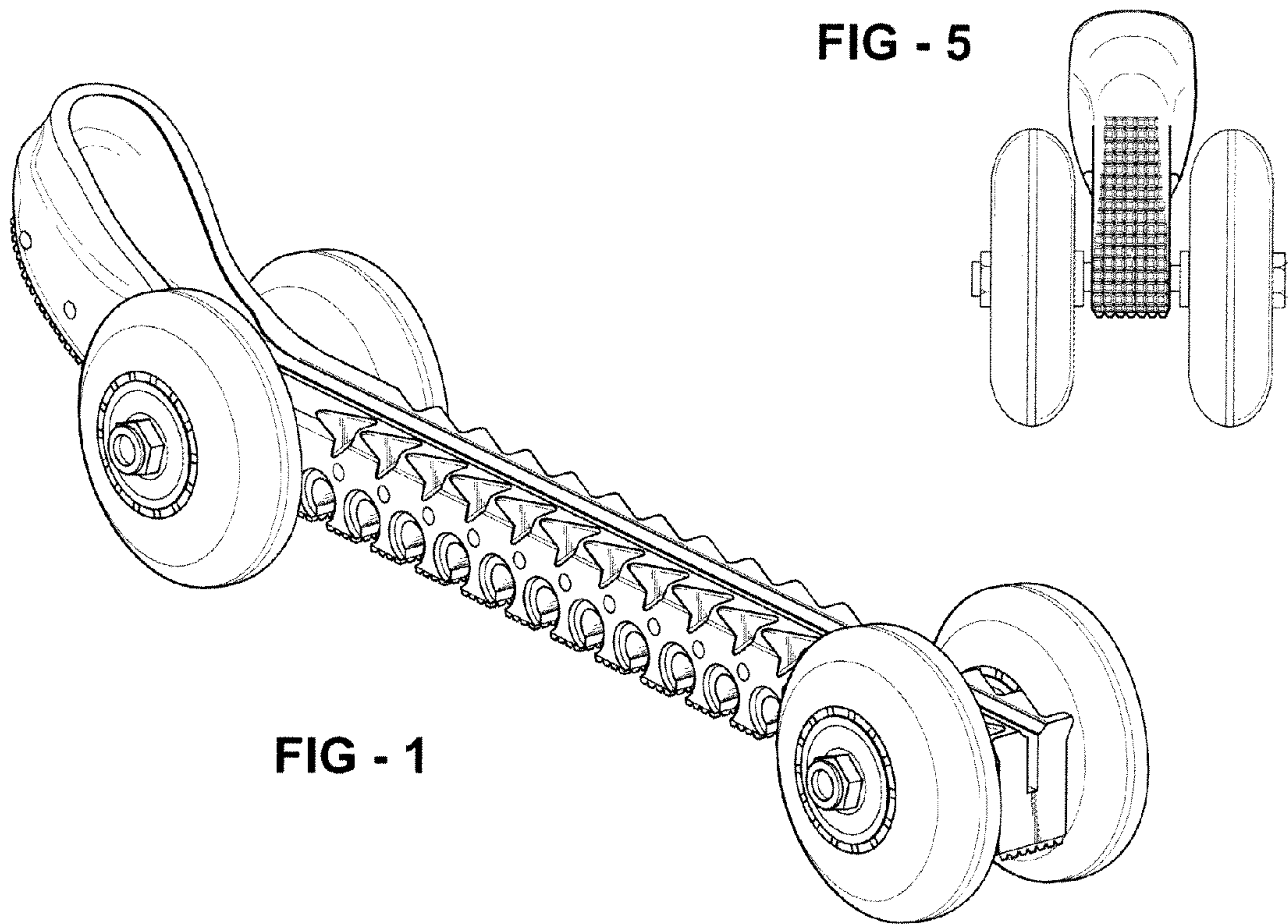
# US D566,216 S

Page 2

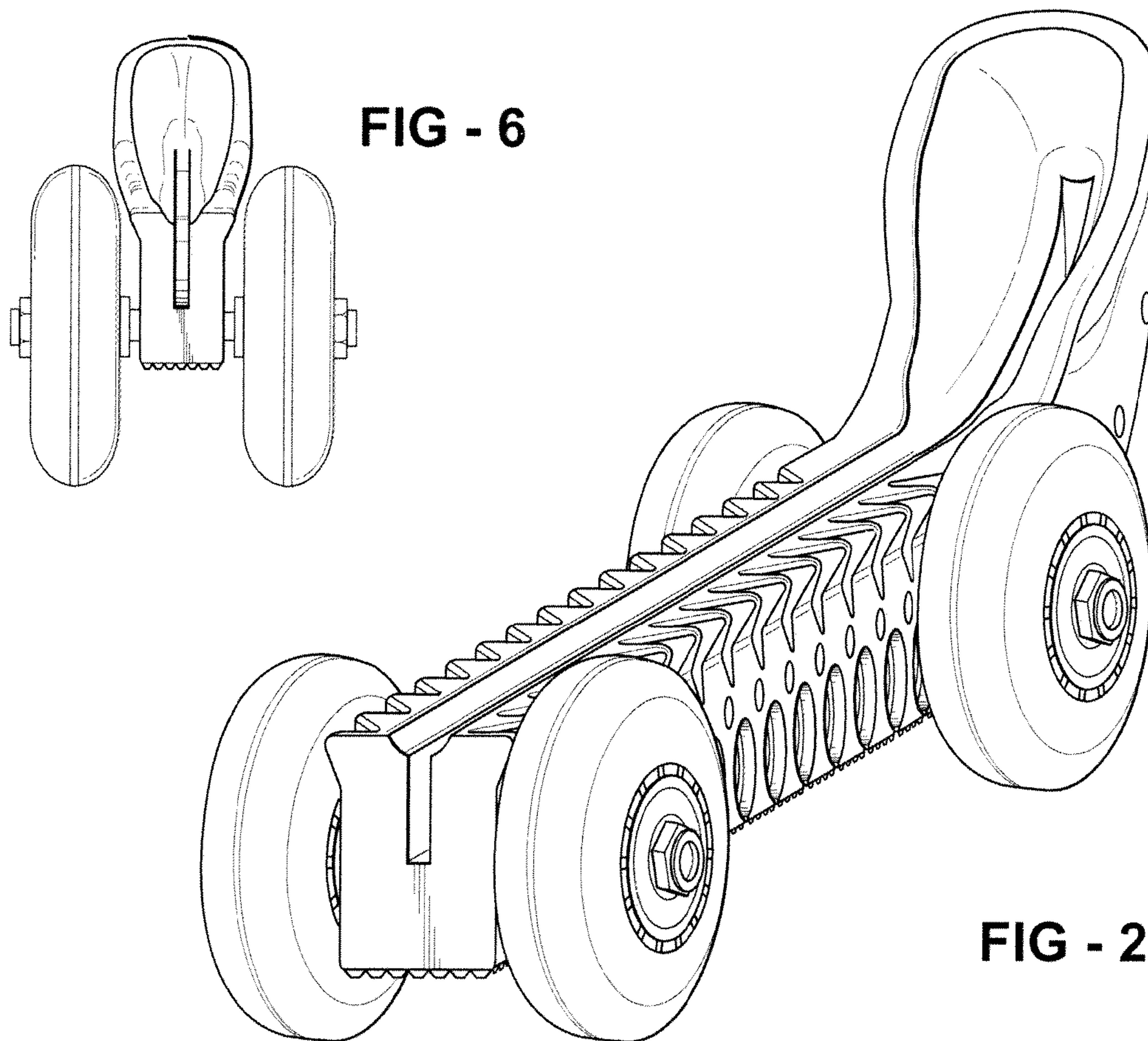
---

U.S. PATENT DOCUMENTS					
			D400,946 S *	11/1998	St. Amand et al. .... D21/761
4,252,345 A	2/1981	Cabral	5,848,808 A	12/1998	Fenton
4,324,408 A	4/1982	Bensette et al.	5,941,568 A	8/1999	White, II
4,382,616 A	5/1983	Olivieri	5,988,682 A	11/1999	Allera
4,392,674 A	7/1983	Evon	6,032,962 A	3/2000	DiGregorio
D271,410 S	11/1983	Olivieri	6,142,528 A	11/2000	Riley
4,546,999 A	10/1985	Lehr	6,193,277 B1	2/2001	Marasco et al.
4,603,868 A	8/1986	Schutz	D453,204 S	1/2002	Haldenby
4,673,196 A	6/1987	Hall	6,446,982 B1	9/2002	Gaster et al.
D341,861 S *	11/1993	Chen ..... D21/763	D465,003 S *	10/2002	Ohrvall et al. .... D21/763
5,290,065 A	3/1994	Kassal	6,666,479 B1	12/2003	Maddaleni
5,303,955 A	4/1994	Zurnamer	6,916,046 B2	7/2005	Riley et al.
5,393,077 A *	2/1995	Wanous ..... 280/7.13	D535,714 S *	1/2007	Cheng et al. .... D21/763
5,513,881 A	5/1996	DiMeglio et al.	2003/0011149 A1	1/2003	Gaster et al.
5,573,275 A	11/1996	Smith et al.	2004/0032098 A1	2/2004	Gaster et al.
5,580,094 A	12/1996	Ruehlman et al.	2004/0140661 A1	7/2004	Guyin et al.
5,697,643 A	12/1997	Marasco et al.	2005/0127661 A1	6/2005	Cuerrier
5,765,870 A	6/1998	Riley			

\* cited by examiner







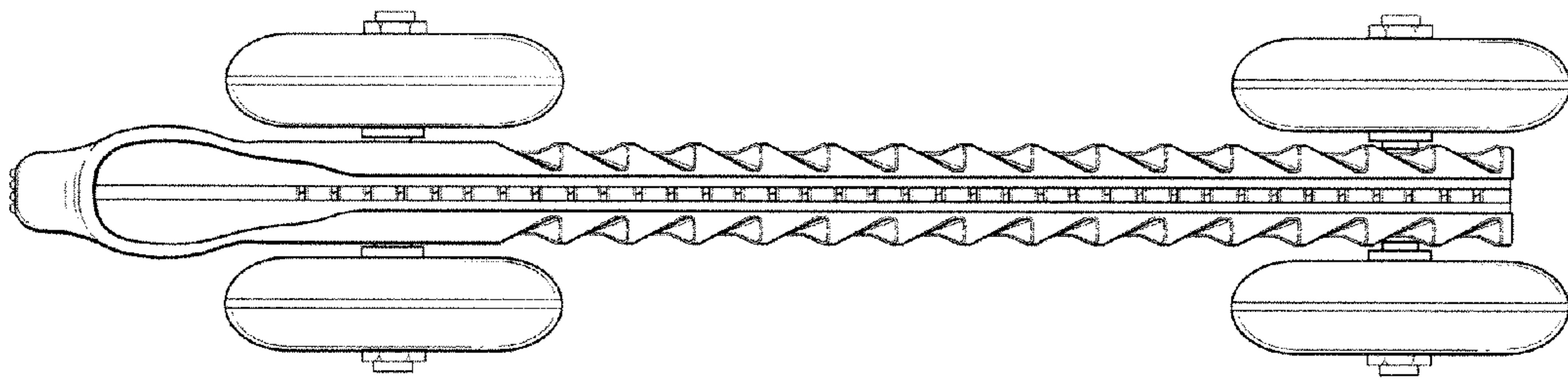


FIG - 3

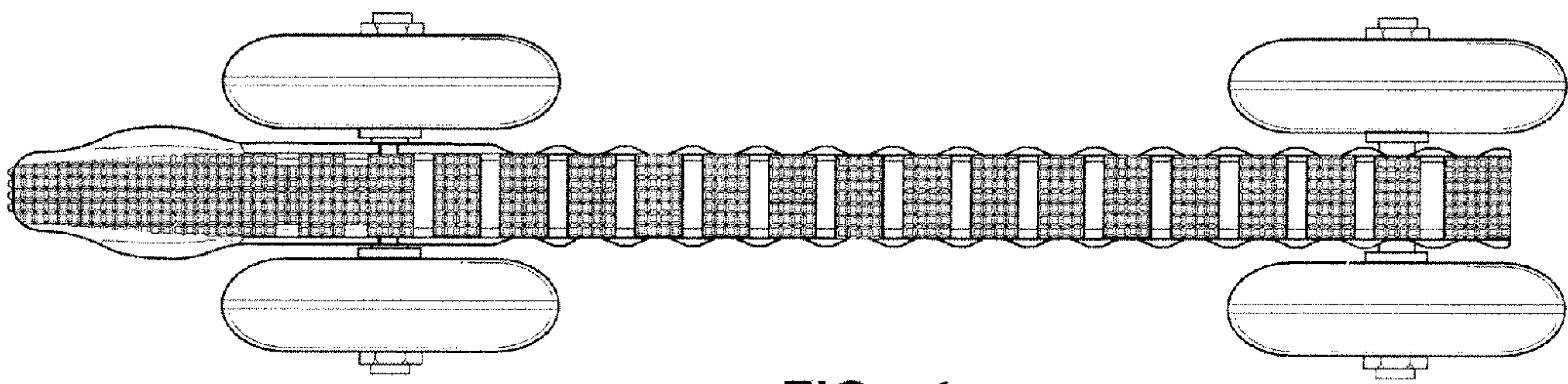


FIG - 4

FIG - 7

