



US00D566214S

(12) **United States Design Patent**
Evans et al.

(10) **Patent No.:** **US D566,214 S**
(45) **Date of Patent:** **** Apr. 8, 2008**

(54) **GOLF CLUB HEAD**

D553,210 S * 10/2007 Harvell et al. D21/752
D553,211 S * 10/2007 Harvell et al. D21/752

(75) Inventors: **D. Clayton Evans**, San Marcos, CA (US); **Garth W. Smith**, Oceanside, CA (US); **Larry G. Tang**, Carlsbad, CA (US); **Kevin Kim**, Vista, CA (US); **Luke R. Williams**, Carlsbad, CA (US)

* cited by examiner

Primary Examiner—Mitchell I Siegel
(74) *Attorney, Agent, or Firm*—Michael A. Catania; Elaine H. Lo

(73) Assignee: **Callaway Golf Company**, Carlsbad, CA (US)

(57) **CLAIM**

(**) Term: **14 Years**

The ornamental design for a golf club head, as shown and described.

(21) Appl. No.: **29/277,885**

DESCRIPTION

(22) Filed: **Mar. 13, 2007**

(51) **LOC (8) Cl.** **21-02**

(52) **U.S. Cl.** **D21/752**

(58) **Field of Classification Search** D21/733,
D21/752, 759; 473/324–331, 343–346
See application file for complete search history.

FIG. 1 is a bottom perspective view of a golf club head;
FIG. 2 is a front perspective view thereof;
FIG. 3 is a front view thereof,
FIG. 4 is a back plan view thereof;
FIG. 5 is a top plan view thereof;
FIG. 6 is a bottom plan view thereof;
FIG. 7 is a heel end view thereof; and,
FIG. 8 is a toe end view thereof.

(56) **References Cited**

U.S. PATENT DOCUMENTS

5,464,217 A * 11/1995 Shenoha et al. 473/350
D521,091 S * 5/2006 Mahaffey et al. D21/752
D535,342 S * 1/2007 Evans et al. D21/752
D536,049 S * 1/2007 Evans et al. D21/759

The broken line showing is included for the purpose of illustrating and forms no part of the claimed design.

1 Claim, 4 Drawing Sheets



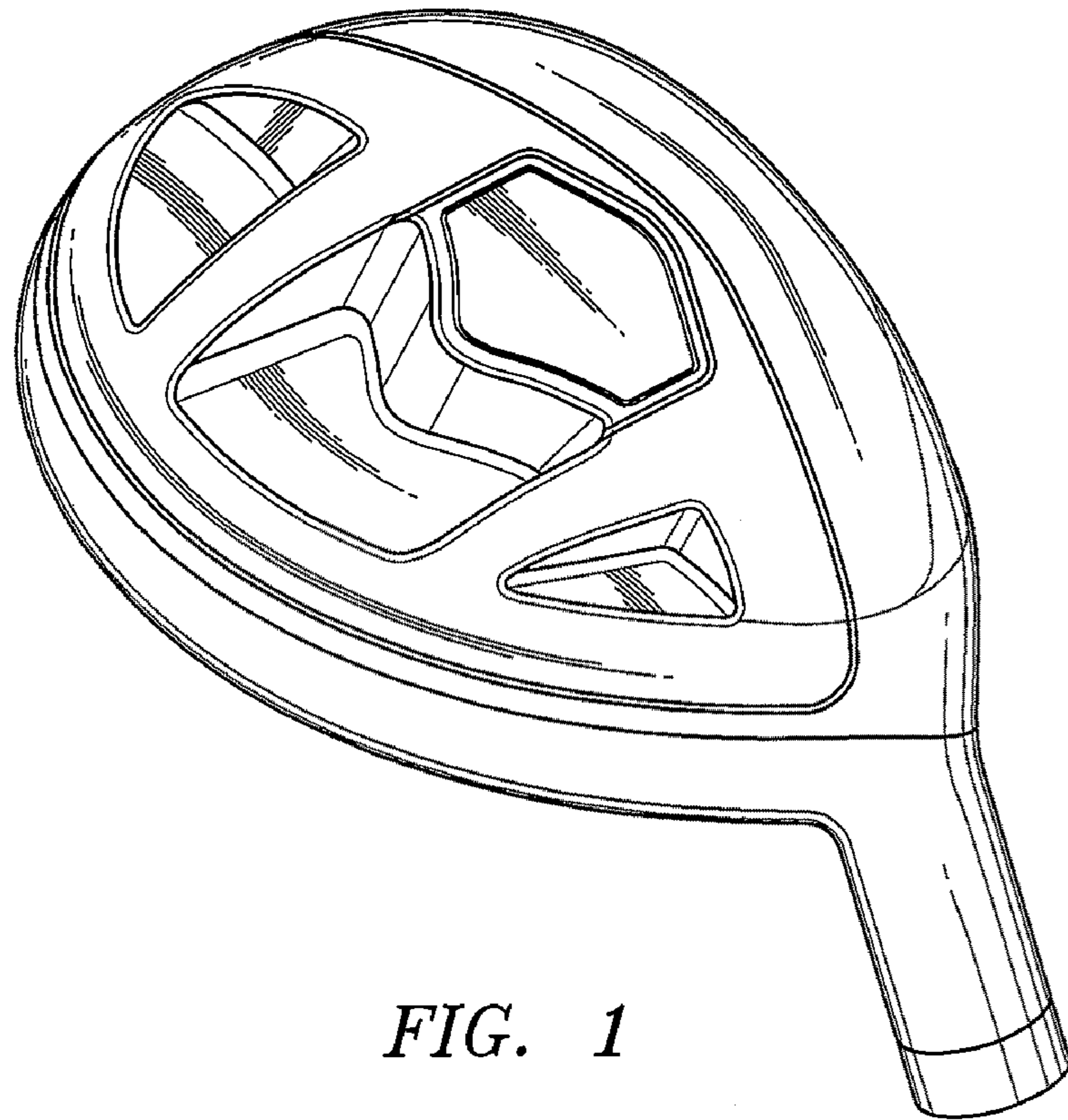


FIG. 1

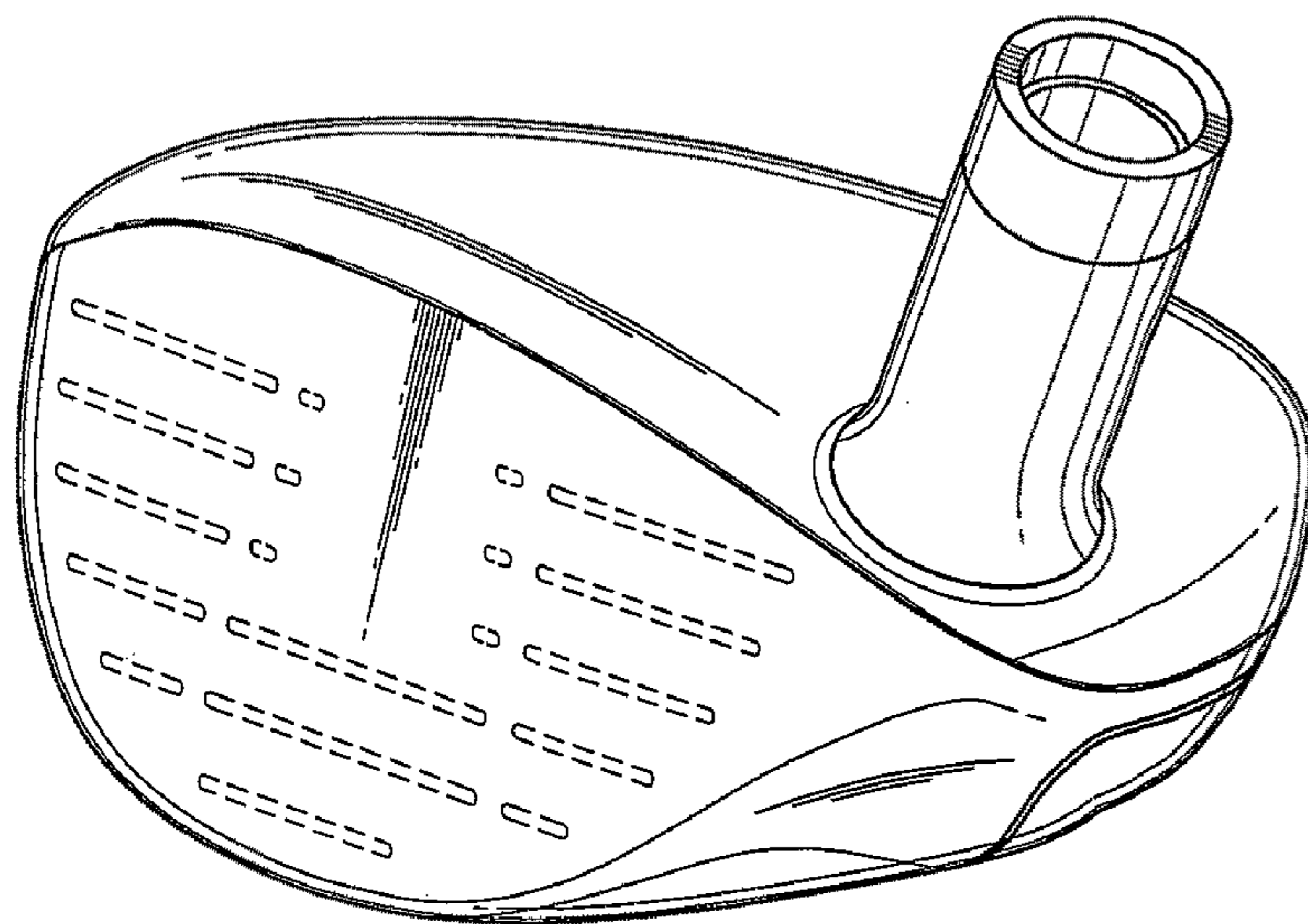


FIG. 2

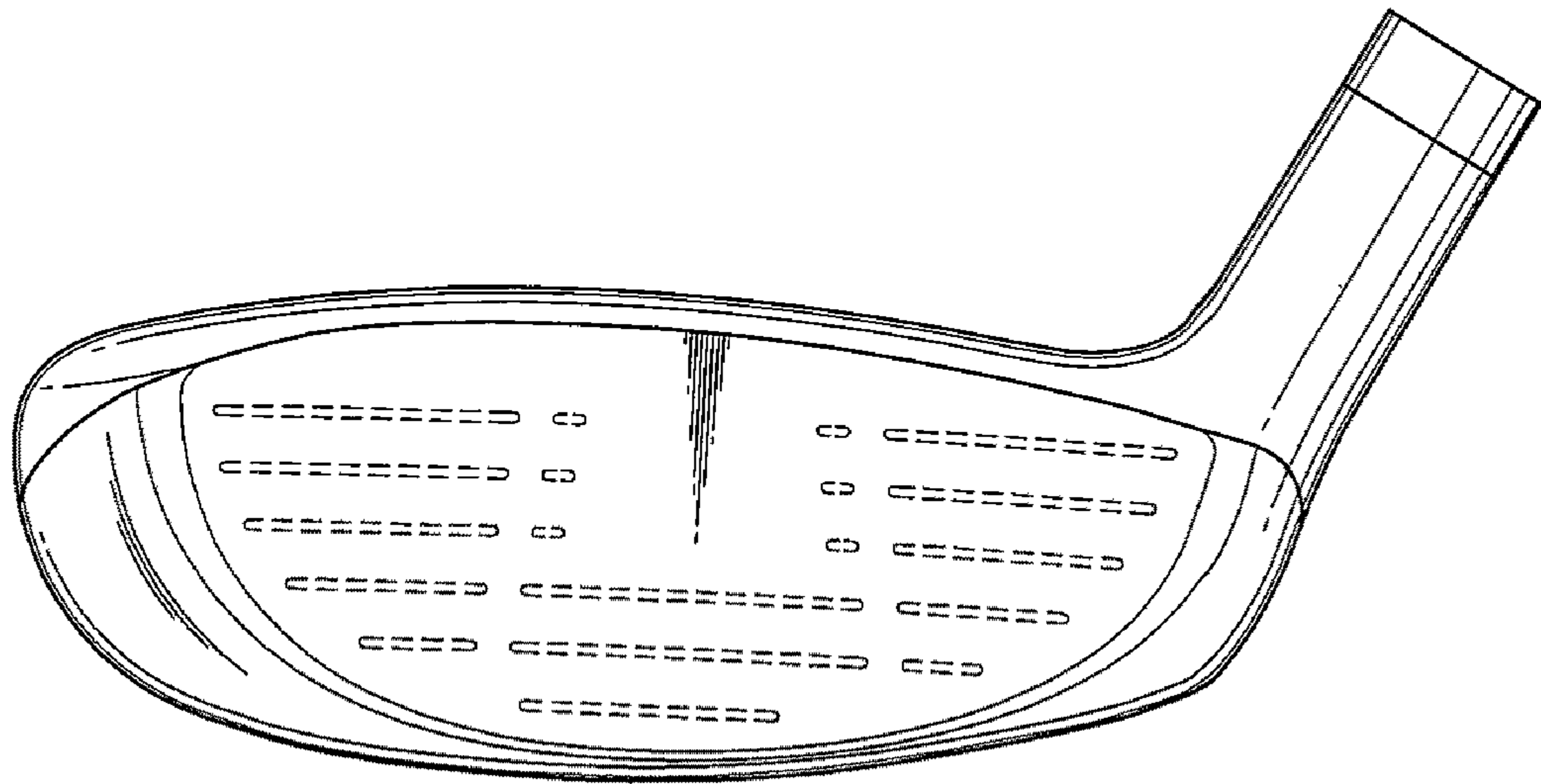


FIG. 3

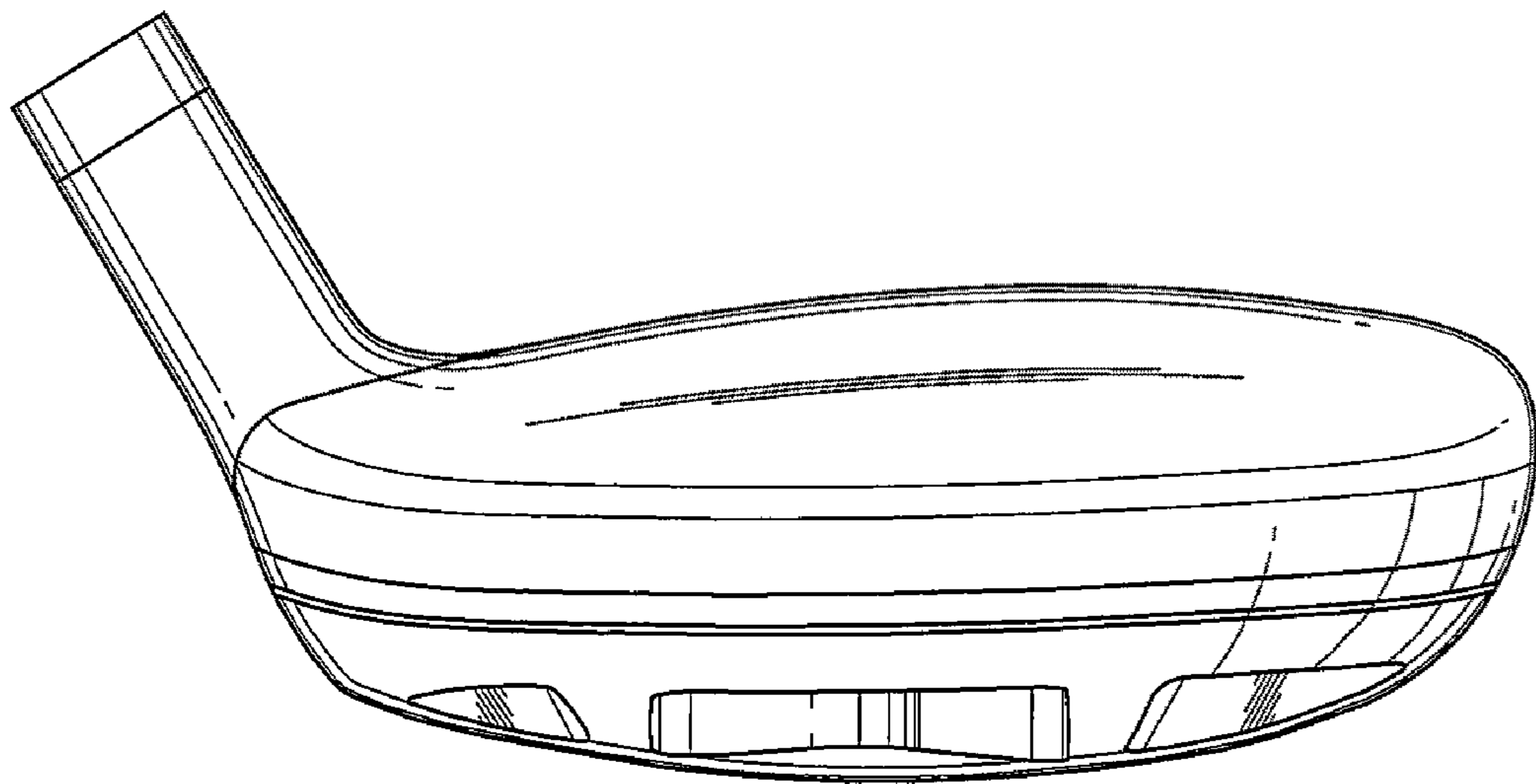


FIG. 4

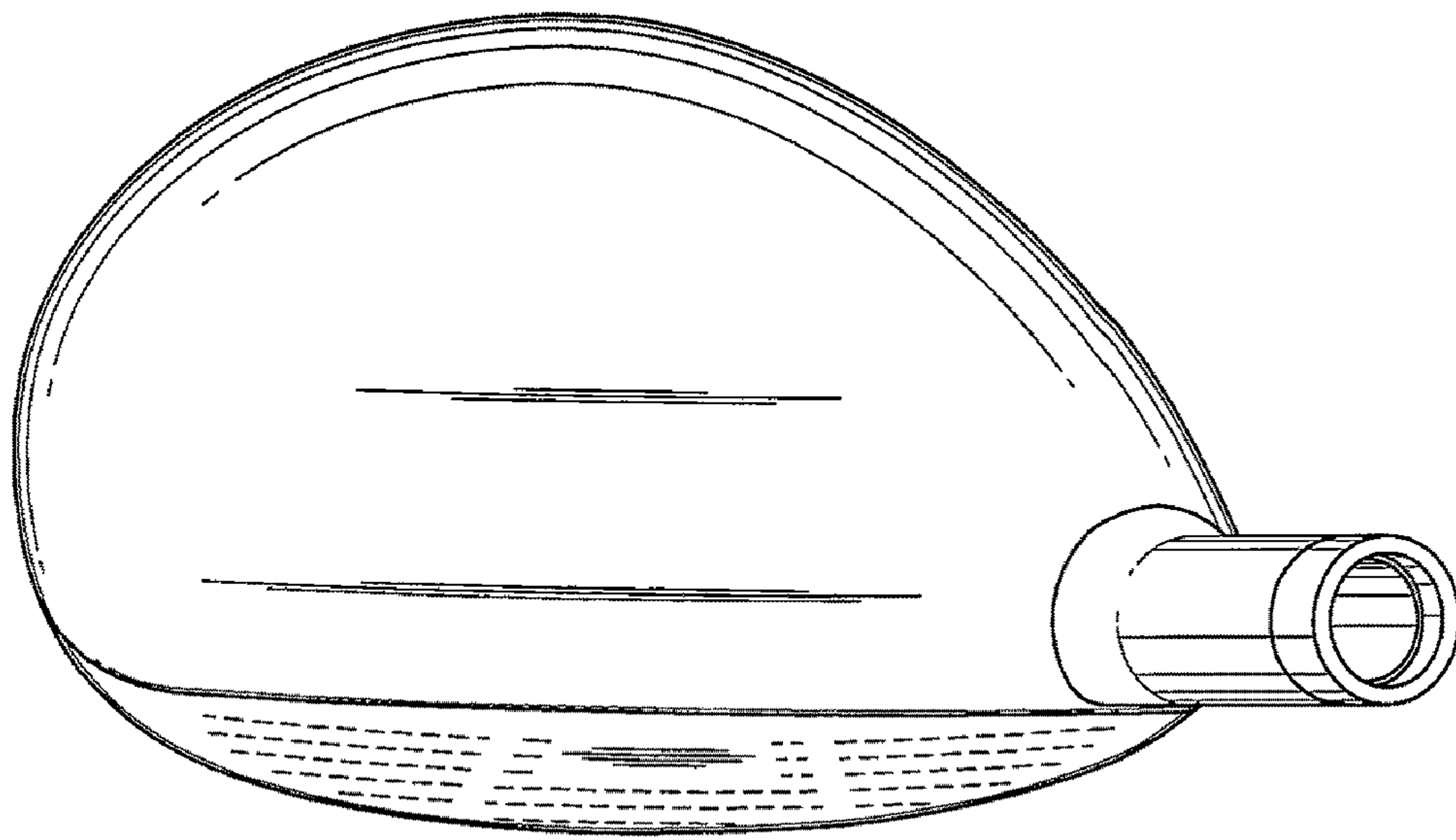


FIG. 5

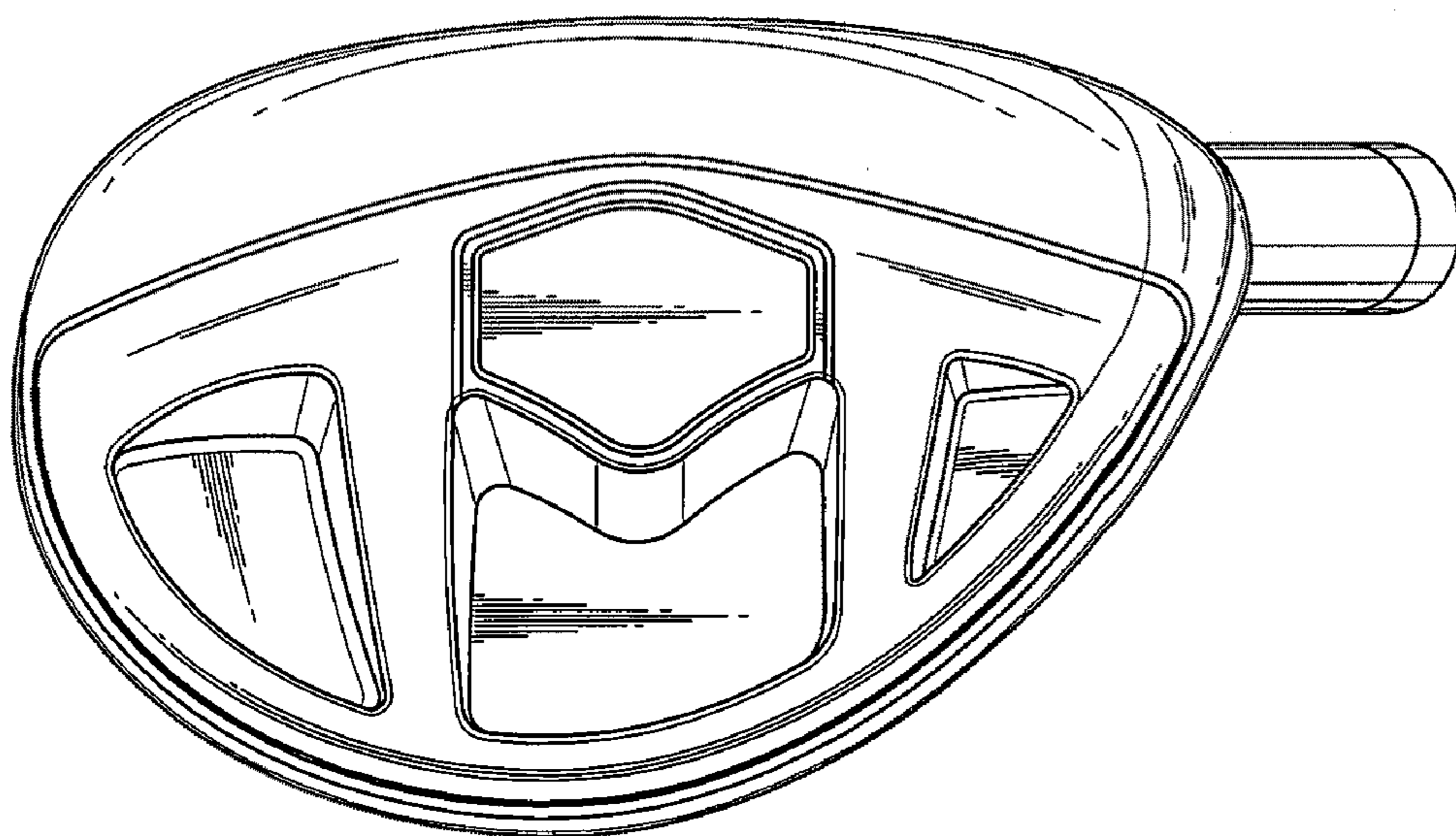


FIG. 6

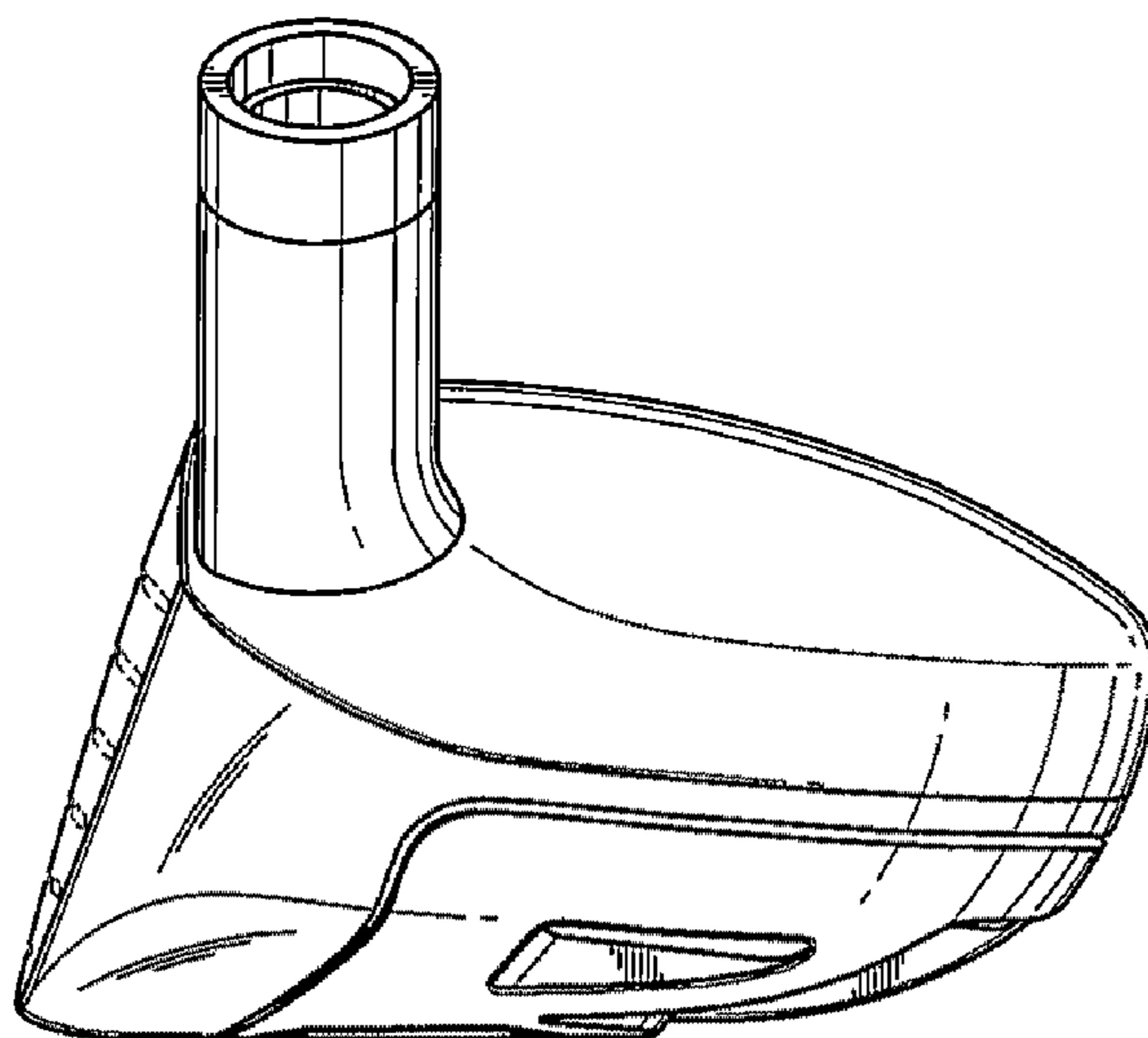


FIG. 7

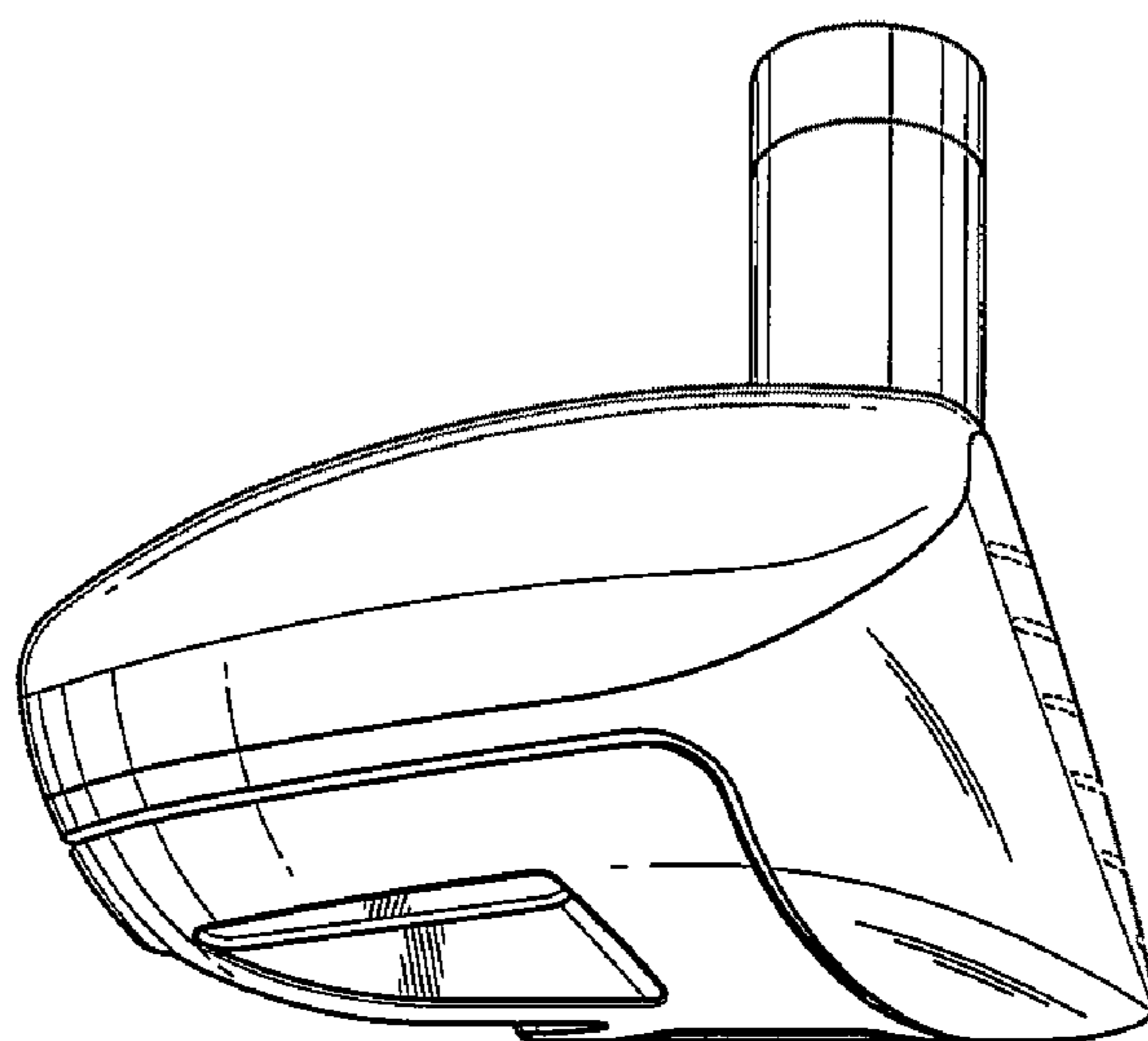


FIG. 8