



US00D566212S

(12) **United States Design Patent**
Bardha

(10) **Patent No.:** **US D566,212 S**

(45) **Date of Patent:** **** Apr. 8, 2008**

(54) **GOLF PUTTER HEAD**

(76) **Inventor:** **Iir Bardha**, 3300 Lone Pine Rd., West Bloomfield, MI (US) 48323

(**) **Term:** **14 Years**

(21) **Appl. No.:** **29/276,665**

(22) **Filed:** **Feb. 1, 2007**

(51) **LOC (8) Cl.** **21-02**

(52) **U.S. Cl.** **D21/736**

(58) **Field of Classification Search** D21/736-746;
473/324-331, 340-341, 251-256, 247
See application file for complete search history.

(56) **References Cited**

U.S. PATENT DOCUMENTS

1,219,417	A *	3/1917	Vories	473/247
D191,314	S *	9/1961	Mengel	D21/736
3,601,399	A *	8/1971	Agens et al.	473/247
4,878,666	A *	11/1989	Hosoda	473/247
D363,101	S *	10/1995	Sturm	D21/746
6,086,484	A *	7/2000	Uebelhor	473/341
6,348,009	B1 *	2/2002	Dischler	473/247
D460,136	S *	7/2002	Chambers et al.	D21/742
6,422,950	B1 *	7/2002	Whitlam	473/341
7,083,525	B2 *	8/2006	Pond et al.	473/341
D534,974	S *	1/2007	Haack	D21/743

* cited by examiner

Primary Examiner—Mitchell Siegel

(74) *Attorney, Agent, or Firm*—Gifford Krass Sprinkle Anderson & Citkowski

(57) **CLAIM**

The ornamental design for golf putter head, as shown and described.

DESCRIPTION

FIG. 1 is a front perspective view of a golf putter head incorporating my inventive design;

FIG. 2 is a front perspective view of a golf putter head with the rotatable blade section in an alternative orientation;

FIG. 3 is a rear perspective view of a golf putter head with the rotatable blade section in another alternative orientation;

FIG. 4 is a front elevational view of a golf putter head of FIG. 1;

FIG. 5 is a rear elevational view of a golf putter head of FIG. 3;

FIG. 6 is a top plan view of a golf putter head of FIG. 1;

FIG. 7 is a bottom view of the golf putter head of FIG. 1;

FIG. 8 is a front view of the golf putter head of FIG. 1; and,

FIG. 9 is a rear view of the golf putter head of FIG. 1.

The broken line showing is included for the purpose of illustrating and forms no part of the claimed design.

1 Claim, 4 Drawing Sheets

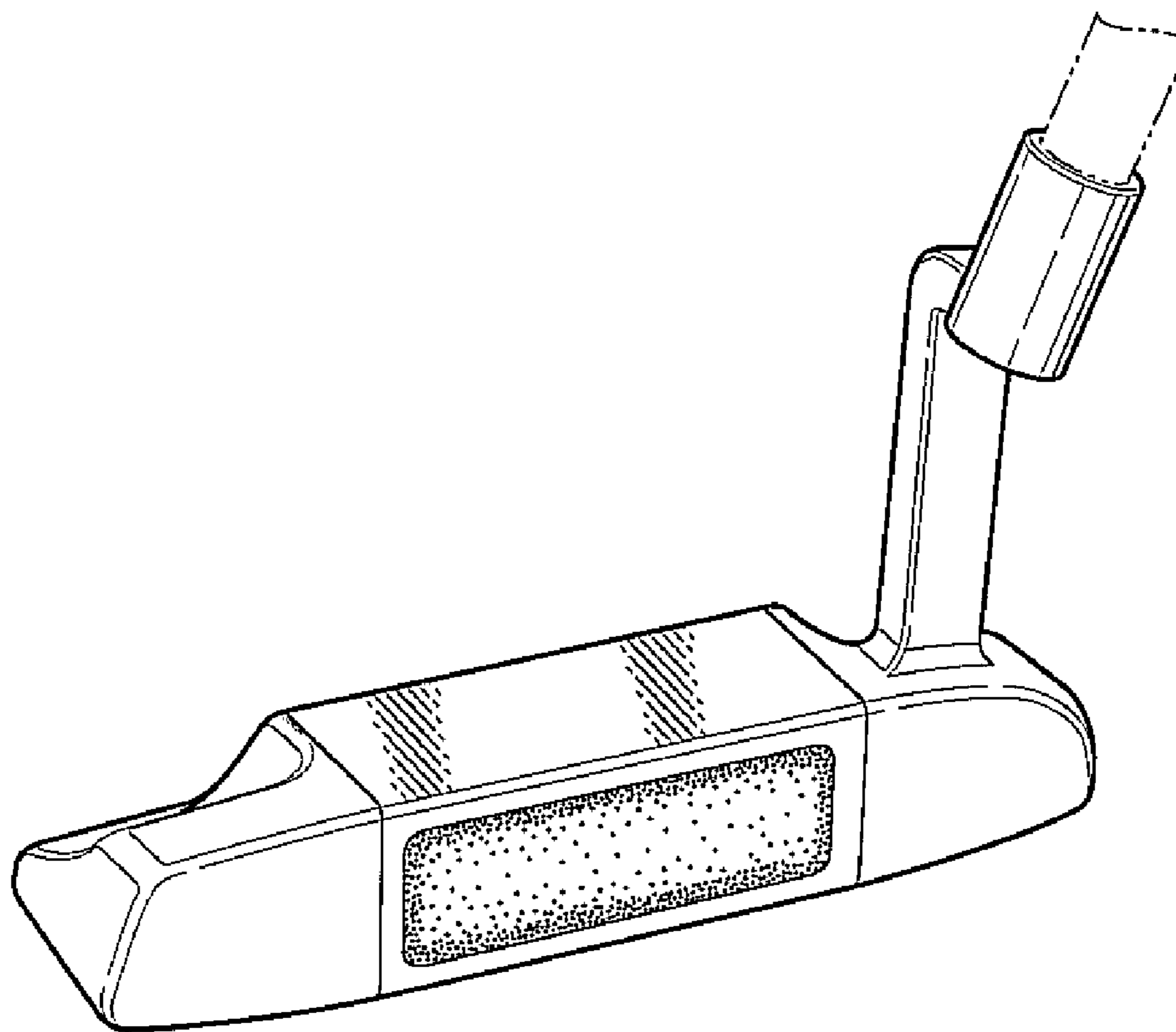


FIG - 1

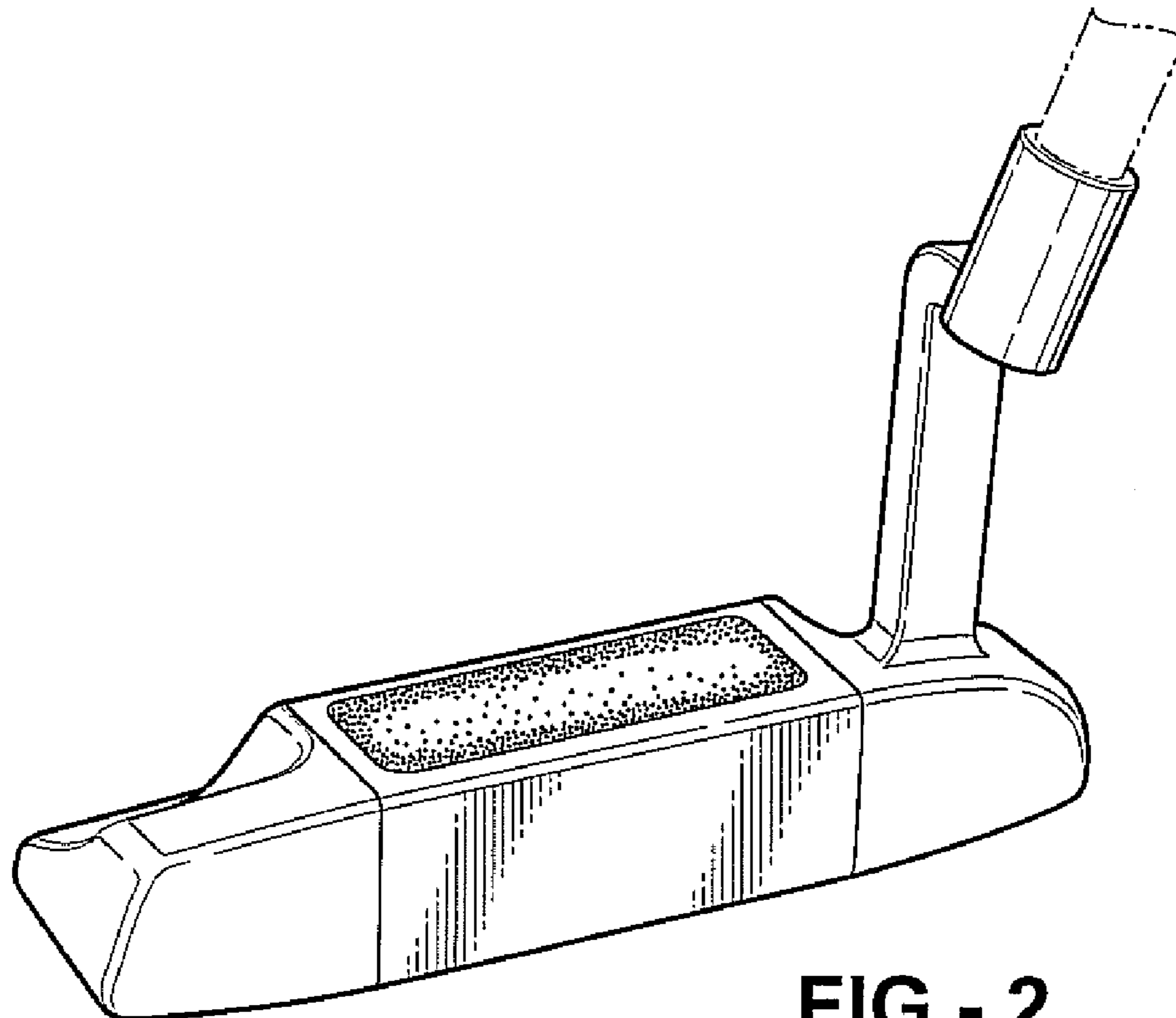
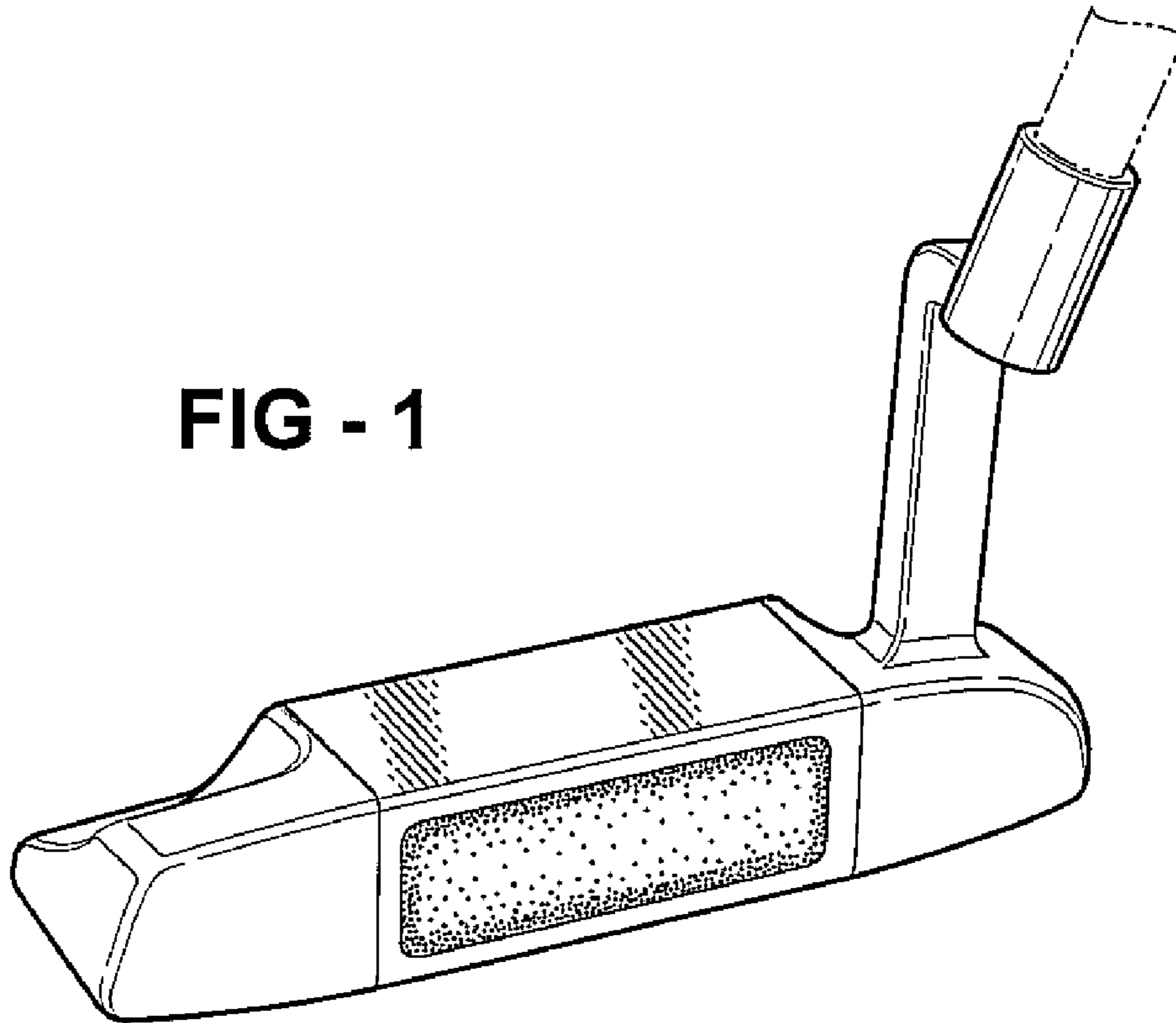


FIG - 2

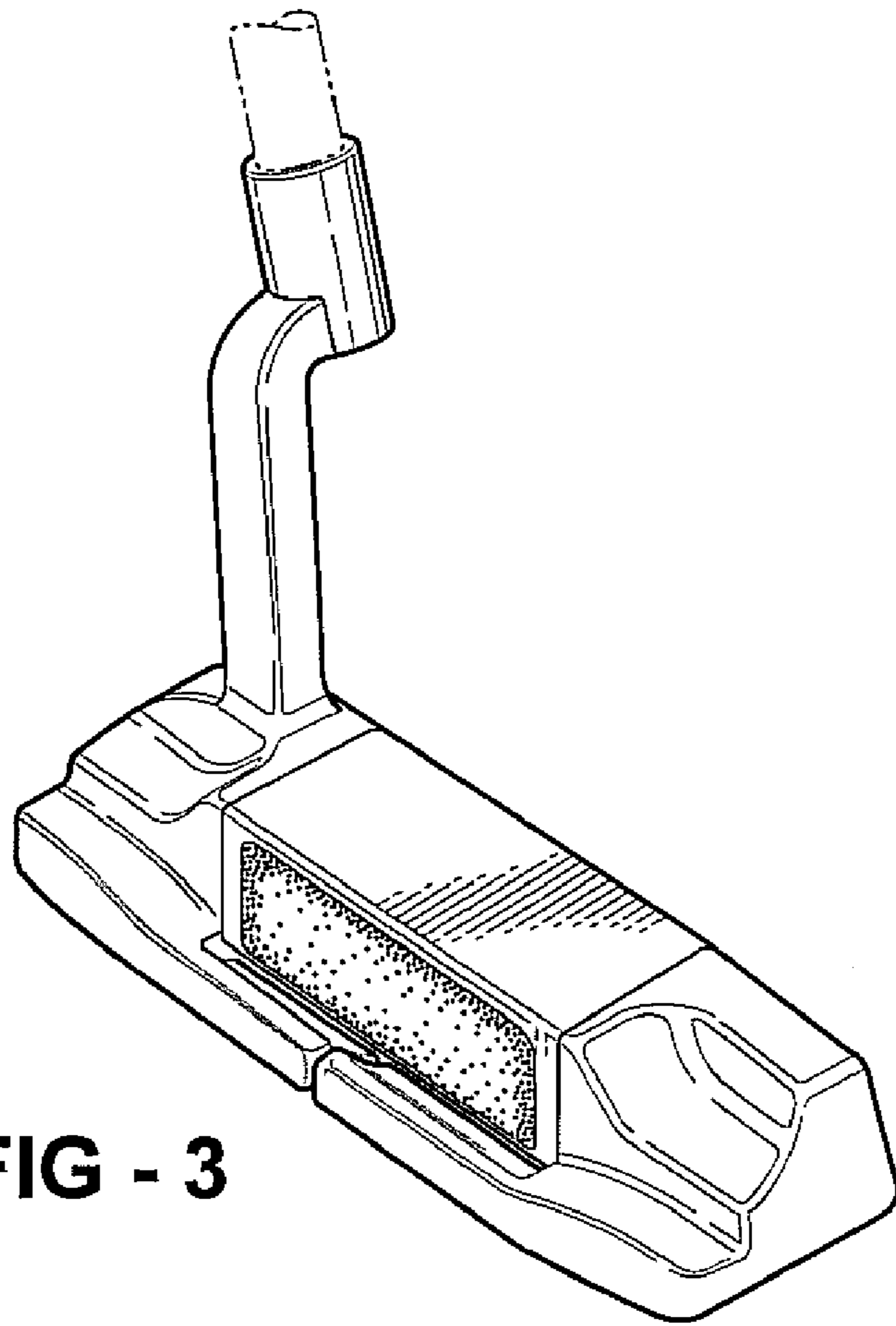


FIG - 3

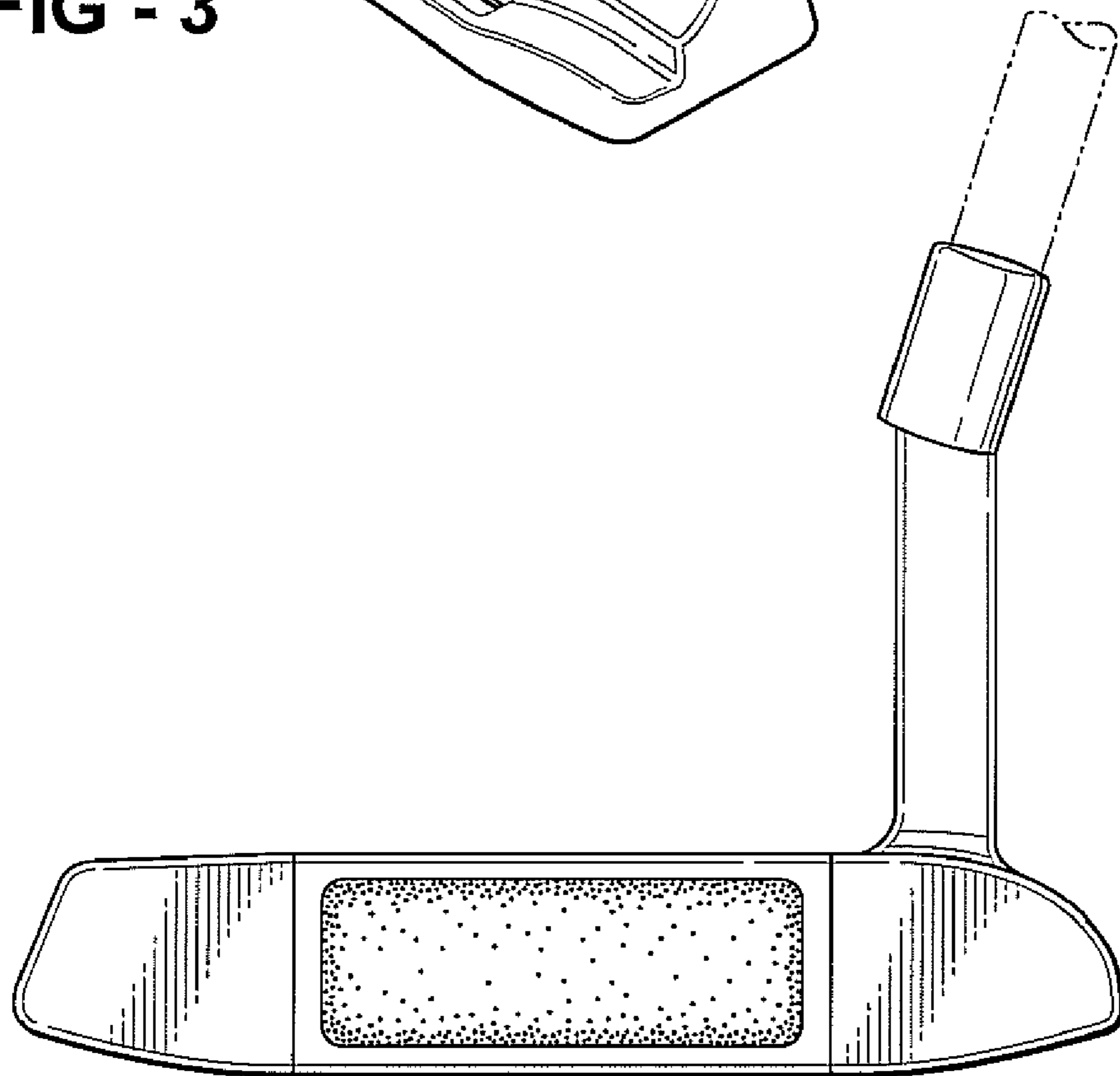


FIG - 4

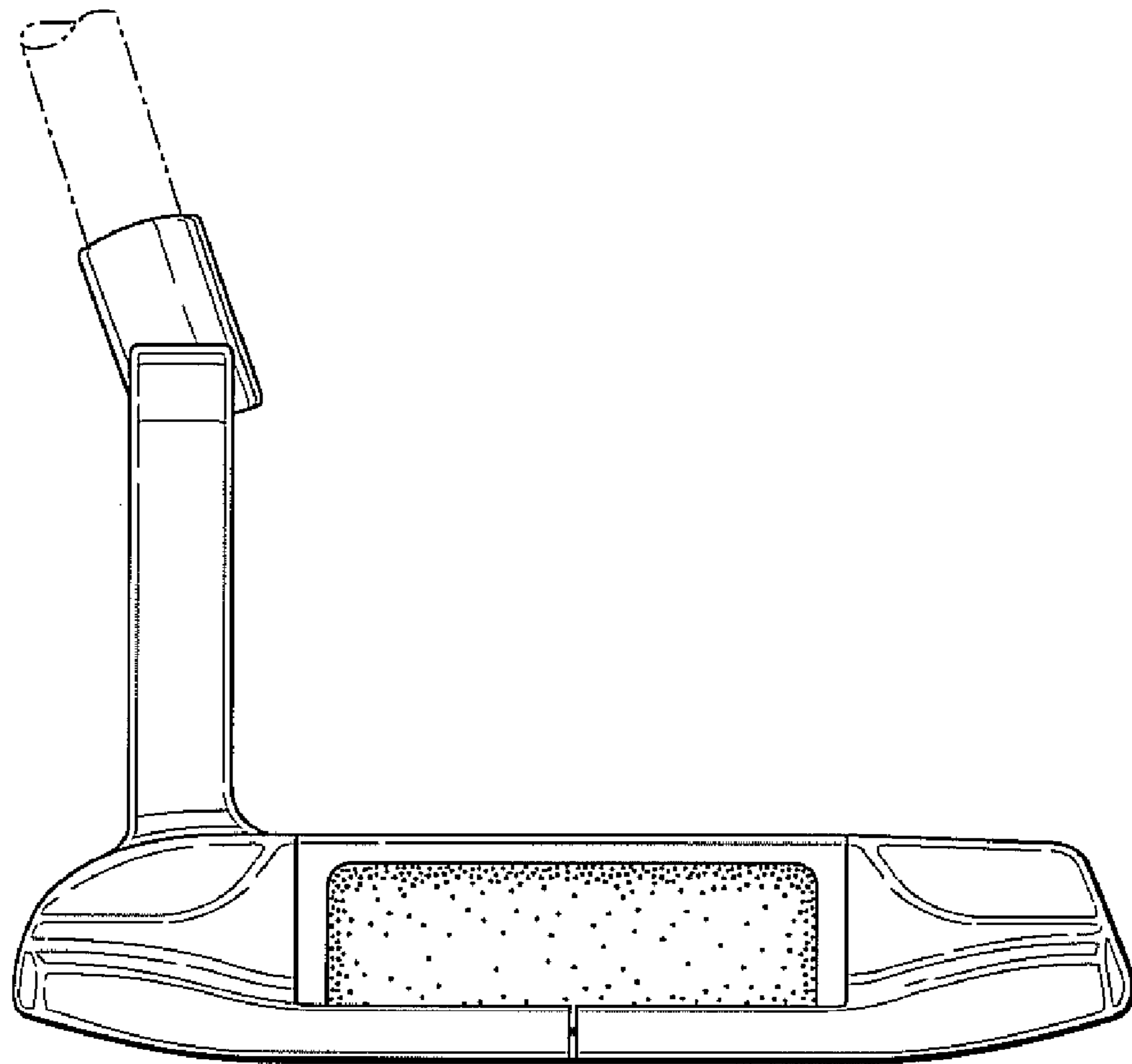


FIG - 5

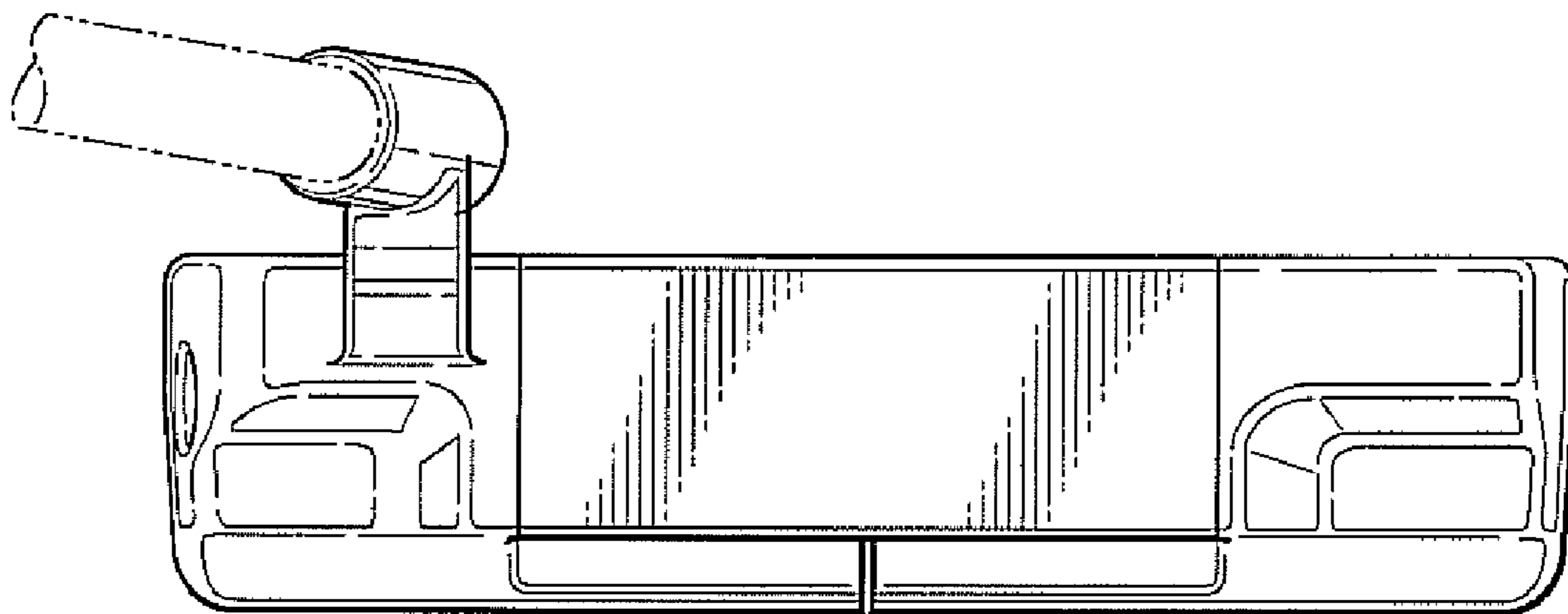


FIG - 6

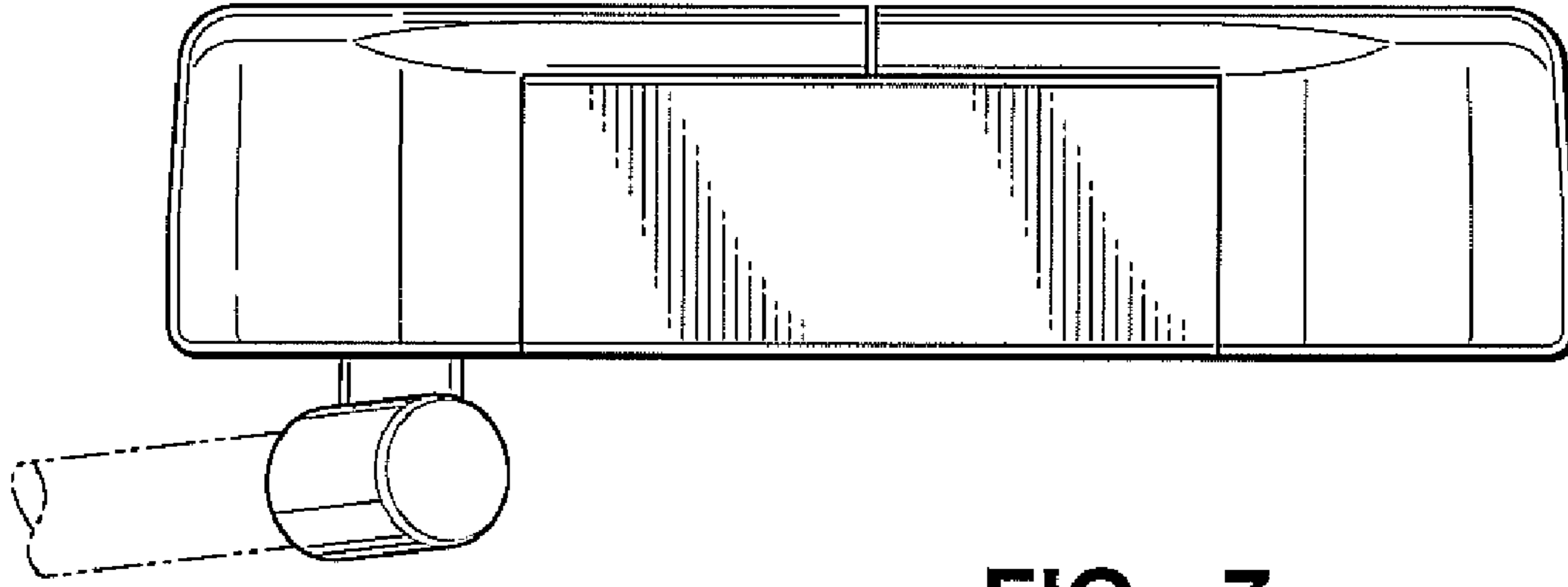


FIG - 7

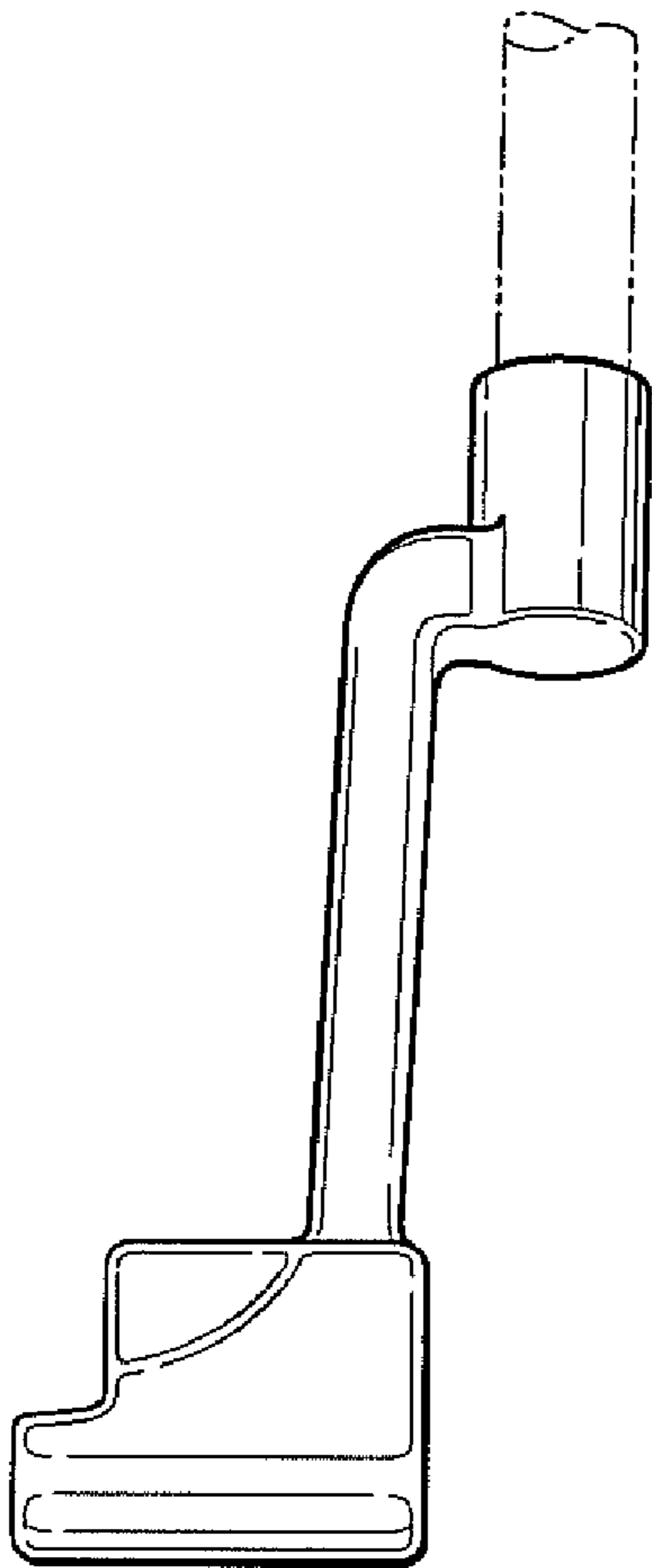


FIG - 8

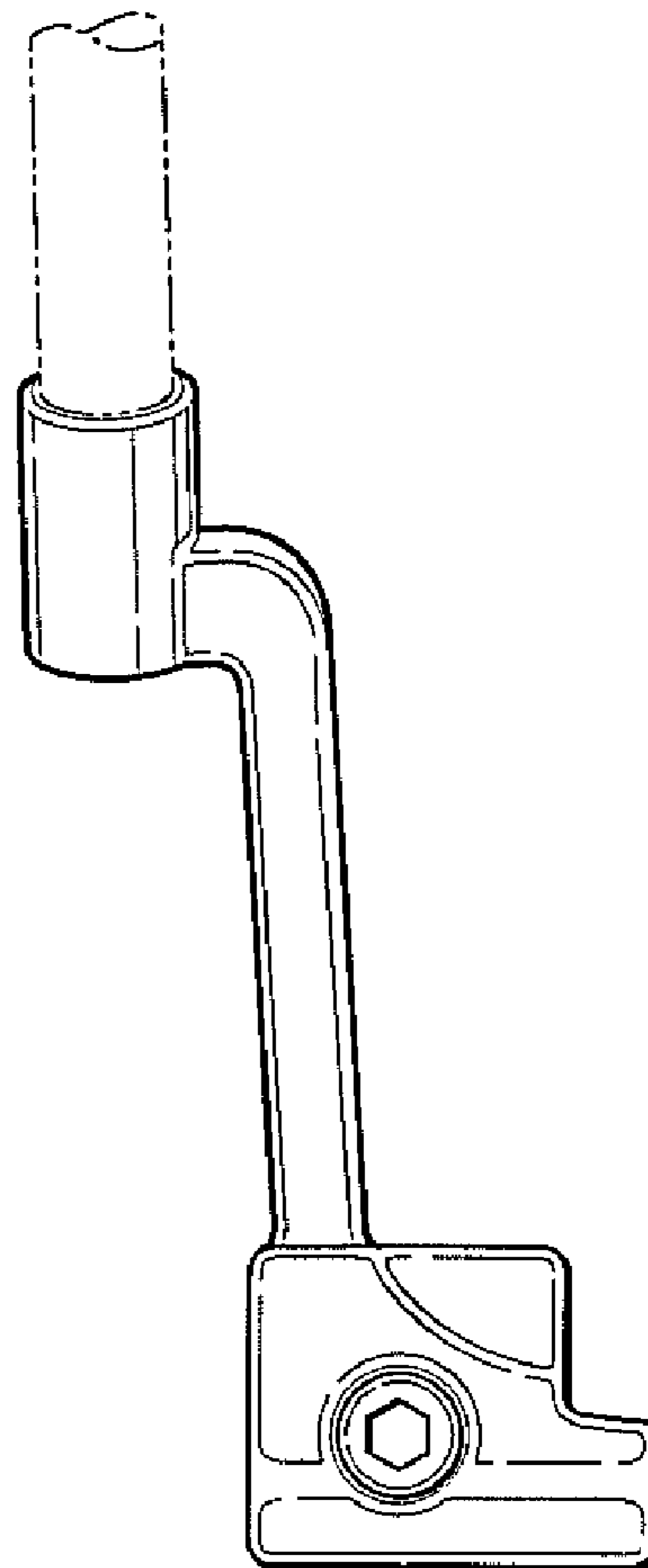


FIG - 9