



US00D566208S

(12) **United States Design Patent**
Alessandri et al.

(10) **Patent No.:** **US D566,208 S**

(45) **Date of Patent:** **** Apr. 8, 2008**

(54) **WEIGHT PLATE FOR BARBELLS**

(75) Inventors: **Nerio Alessandri**, Longiano (IT);
Mario Fedriga, Forli (IT)

(73) Assignee: **Technogym S.p.A.**, Forli Cesena (IT)

(**) Term: **14 Years**

(21) Appl. No.: **29/267,507**

(22) Filed: **Oct. 17, 2006**

(30) **Foreign Application Priority Data**

Apr. 18, 2006 (EM) 000513478

(51) **LOC (8) Cl.** **21-02**

(52) **U.S. Cl.** **D21/681**

(58) **Field of Classification Search** D21/662,
D21/680, 681; 482/93, 106, 107, 108
See application file for complete search history.

(56) **References Cited**

U.S. PATENT DOCUMENTS

D355,007 S *	1/1995	Rojas et al.	D21/681
D433,469 S *	11/2000	Rojas et al.	D21/681
D433,720 S *	11/2000	Rojas et al.	D21/681
D433,721 S *	11/2000	Rojas et al.	D21/681
D439,290 S *	3/2001	Rojas et al.	D21/681
D448,055 S *	9/2001	Lien et al.	D21/681
6,702,723 B2 *	3/2004	Landfair	482/93

6,736,765 B2 *	5/2004	Wallace et al.	482/106
6,746,380 B2 *	6/2004	Lien et al.	482/106
2001/0049324 A1 *	12/2001	Wallace et al.	482/106
2003/0083179 A1 *	5/2003	Landfair	482/93
2007/0197354 A1 *	8/2007	Januszek	482/107

OTHER PUBLICATIONS

Fusion Rotational Grip Plates 300LB Olympic Weight Set Black [and color](Hampton Fitness). Downloaded at <http://jea;tje/cp/weights-and-dumbbells1/14.html>.*

* cited by examiner

Primary Examiner—Philip S. Hyder

Assistant Examiner—RoseLynne (Ulm) Cody

(74) *Attorney, Agent, or Firm*—Arent Fox LLP

(57) **CLAIM**

The ornamental design for a weight plate for barbells, as shown and described.

DESCRIPTION

FIG. 1 is a perspective view,

FIG. 2 is a front/rear face view,

FIG. 3 is a left side view,

FIG. 4 is a right side view,

FIG. 5 is a top plan view; and,

FIG. 6 is a bottom plan view.

1 Claim, 1 Drawing Sheet

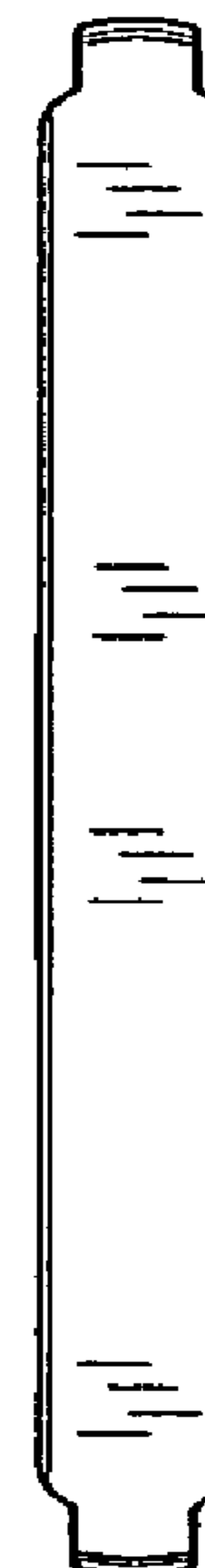
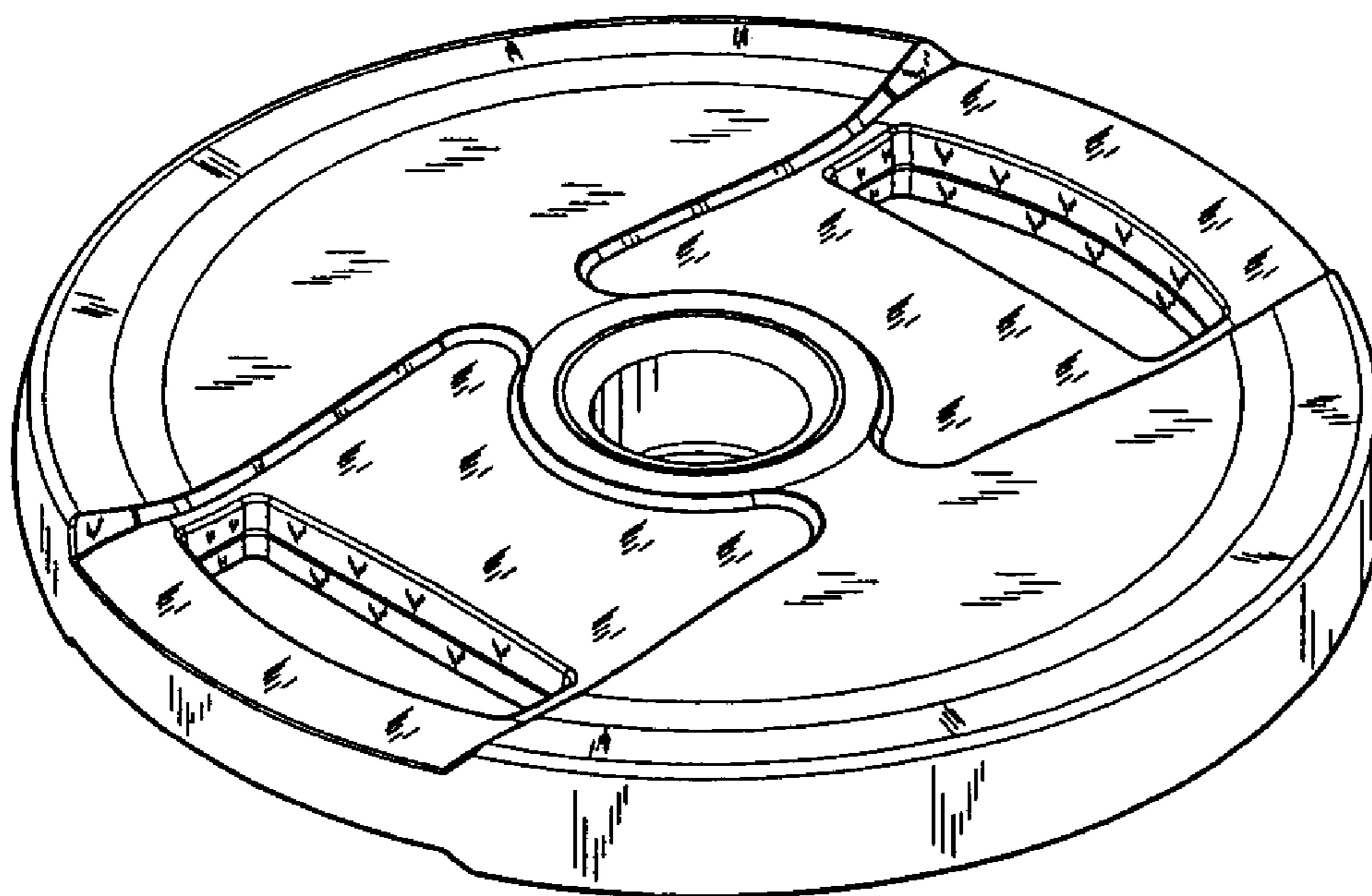


FIG.1

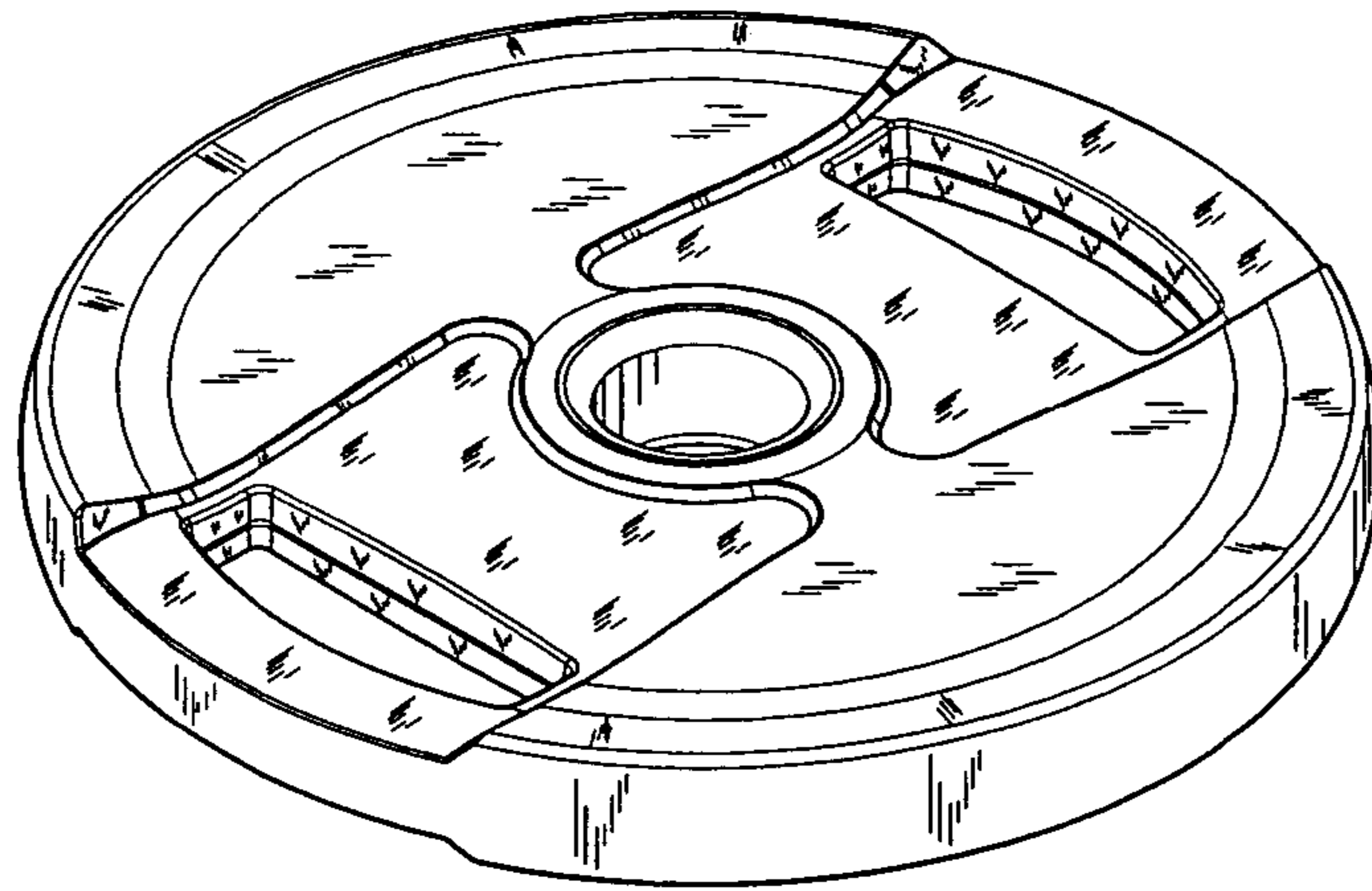


FIG.5

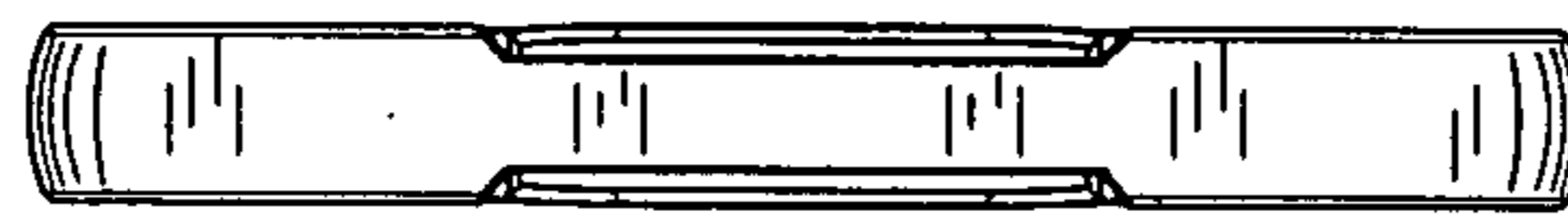


FIG.3

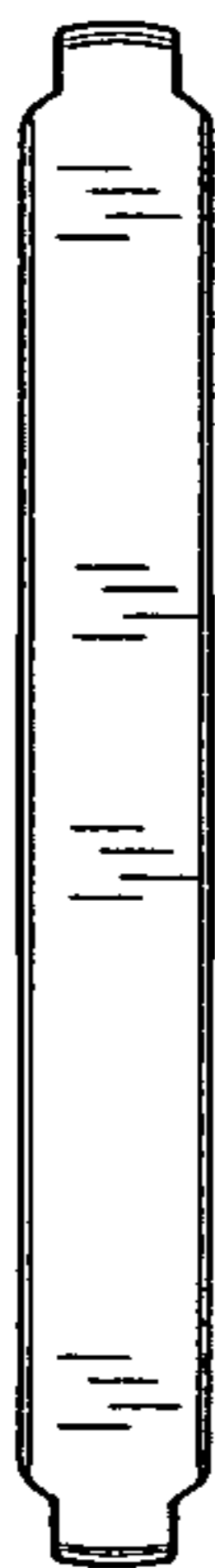


FIG.2

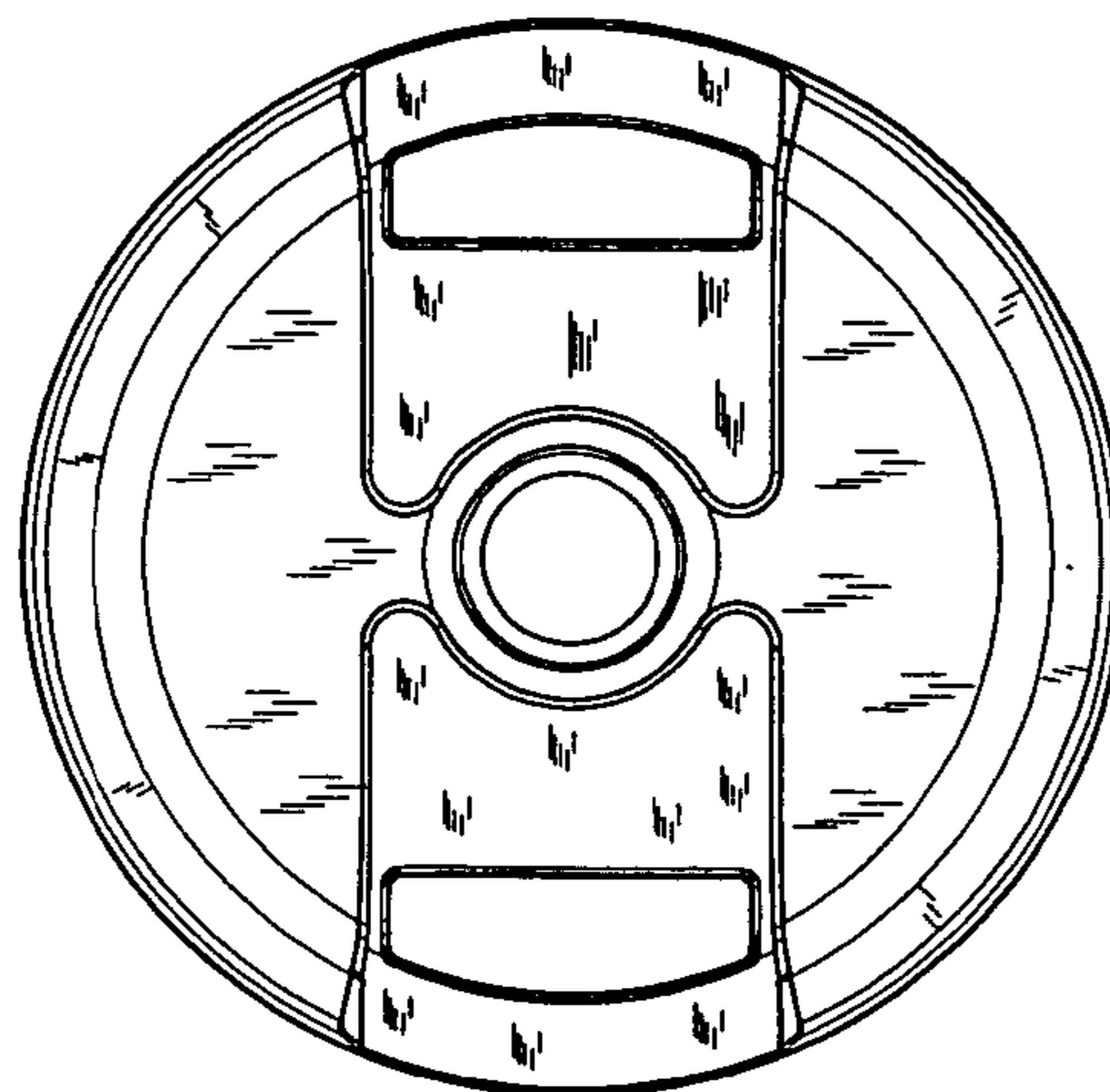


FIG.4



FIG.6

