



US00D566205S

(12) **United States Design Patent**  
**Oates**

(10) **Patent No.:** **US D566,205 S**

(45) **Date of Patent:** **\*\* Apr. 8, 2008**

(54) **CANTILEVERED EXERCISE DEVICE**

2003/0054925 A1 3/2003 Burkhardt

(76) Inventor: **Robert F. Oates**, 151 FM 1696 East,  
Huntsville, TX (US) 77320

\* cited by examiner

*Primary Examiner*—Philip S. Hyder

(\*\*) Term: **14 Years**

(74) *Attorney, Agent, or Firm*—Locke Lord Bissell &  
Liddell LLP

(21) Appl. No.: **29/254,268**

(57) **CLAIM**

(22) Filed: **Feb. 20, 2006**

The ornamental design for a cantilevered exercise device, as  
shown and described.

(51) **LOC (8) Cl.** ..... **21-02**

(52) **U.S. Cl.** ..... **D21/662; D21/679**

(58) **Field of Classification Search** ..... D21/662,  
D21/681, 692, 694, 680, 679; 482/90, 109,  
482/110; D8/14, 75, 88; 473/457

See application file for complete search history.

**DESCRIPTION**

FIG. 1 is a perspective view of a cantilevered exercise  
device.

FIG. 2 is a side view of the exercise device of FIG. 1.

FIG. 3 is an opposite side view of the exercise device from  
FIG. 2.

FIG. 4 is a top view of the exercise device of FIG. 1.

FIG. 5 is a bottom view of the exercise device of FIG. 1.

FIG. 6 is a front view of the exercise device of FIG. 1.

FIG. 7 is a back view of the exercise device of FIG. 1.

FIG. 8 is a perspective view of the exercise device with the  
cylindrical member in a different position relative to the  
handle.

FIG. 9 is a perspective view of the exercise device with the  
cylindrical member in a different position relative to the  
handle; and,

FIG. 10 is a perspective view of the exercise device with the  
cylindrical member in a different position relative to the  
handle.

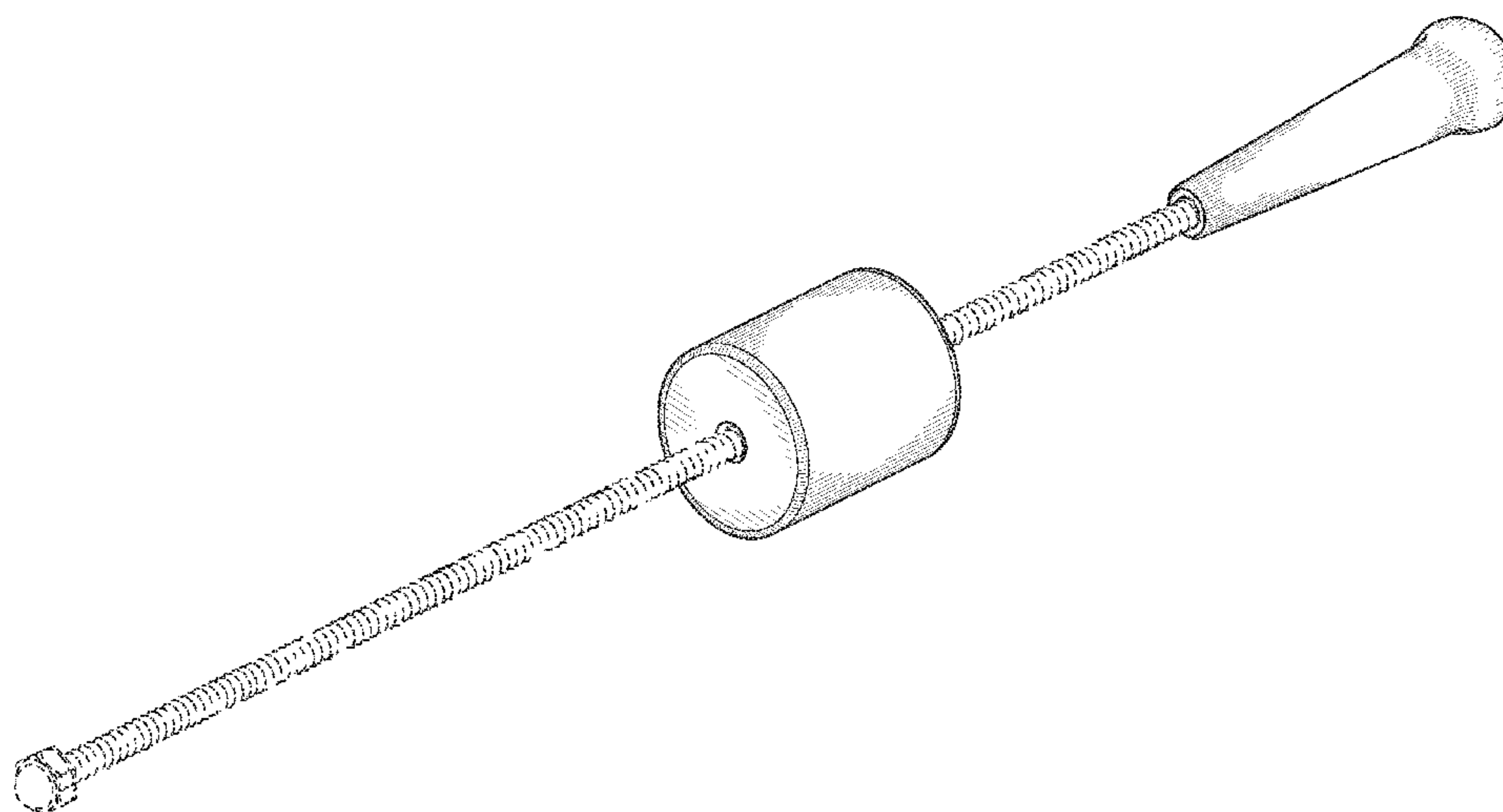
The broken lines in FIGS. 1–10 are for illustrative purposes  
only and form no part of the claimed design. The broken  
lines in the cylindrical member represent knurled lines that  
are not claimed as part of the design. The design and shape  
of the exercise device remains the same while the cylindrical  
member location relative to the handle can be altered.

(56) **References Cited**

U.S. PATENT DOCUMENTS

3,351,346	A *	11/1967	Strahan	473/256
3,690,655	A *	9/1972	Chapman	482/109
3,874,660	A *	4/1975	Brethen	482/109
4,444,396	A *	4/1984	Wendt	473/242
4,602,788	A *	7/1986	Wendt	473/242
4,809,975	A *	3/1989	Lee	482/110
4,964,633	A	10/1990	Hymanson	
D321,733	S	11/1991	Hymanson	
5,147,262	A	9/1992	Hymanson	
D330,738	S	11/1992	Lenhardt	
D339,621	S *	9/1993	Briden	D21/725
5,281,192	A *	1/1994	Nelson	482/93
D343,875	S	2/1994	Webster	
D365,861	S	1/1996	Moss, Jr. et al.	
5,839,996	A	11/1998	Gooding	
D407,770	S	4/1999	Thomas	
5,891,003	A	4/1999	Deac et al.	
5,897,469	A	4/1999	Yalch	
D428,461	S *	7/2000	Koszalinski	D21/791
6,217,495	B1	4/2001	Yalch	
6,280,364	B1	8/2001	Deac et al.	
6,872,174	B2	3/2005	Benach	
6,949,036	B2 *	9/2005	Ciesar et al.	473/457
2002/0155933	A1	10/2002	Chen	

**1 Claim, 5 Drawing Sheets**



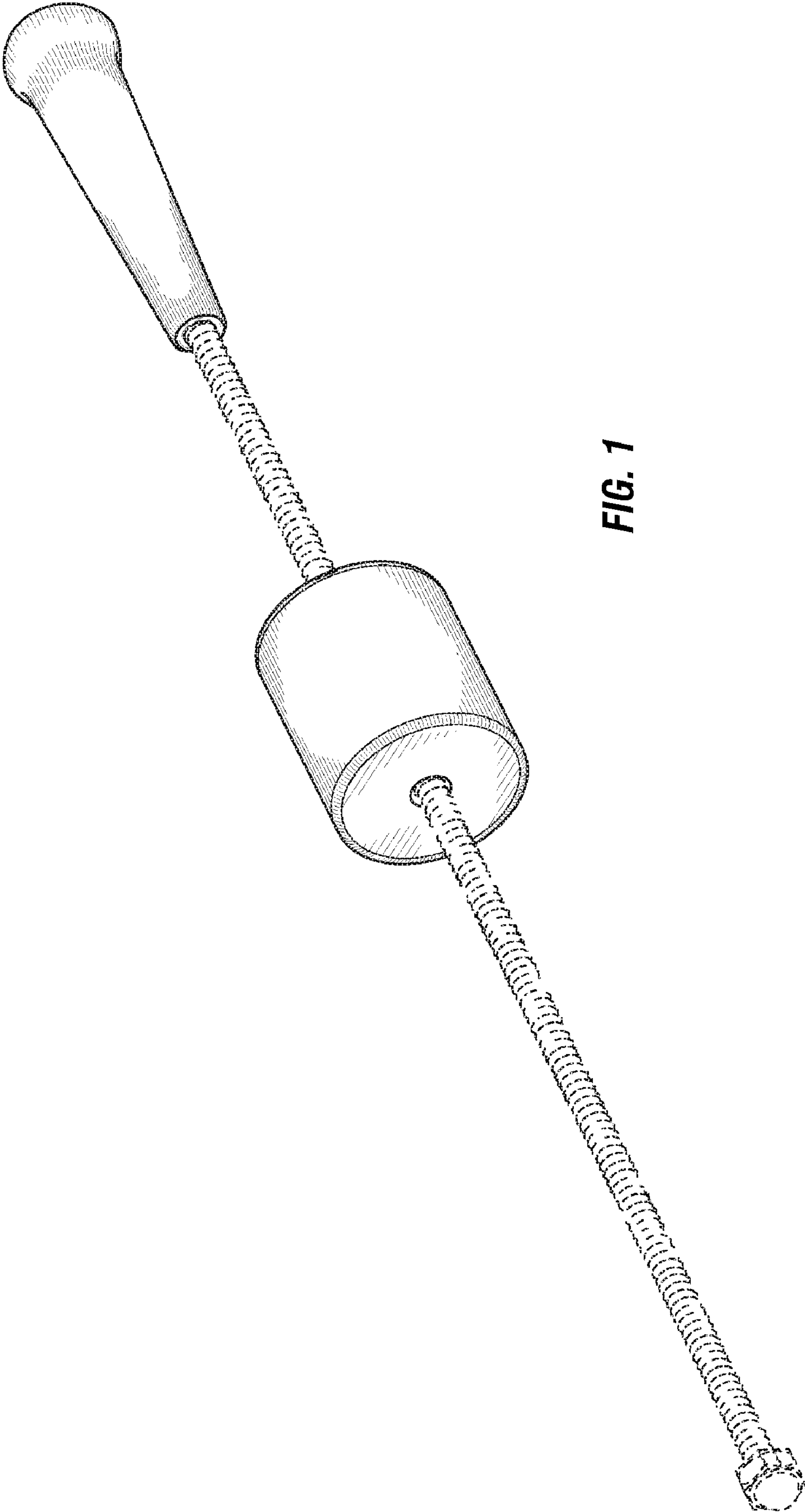
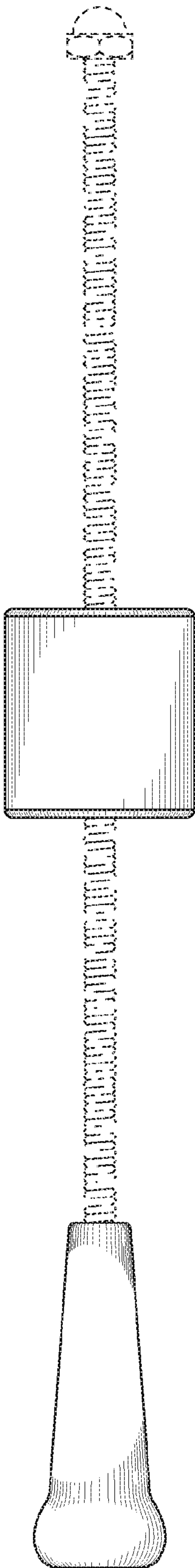
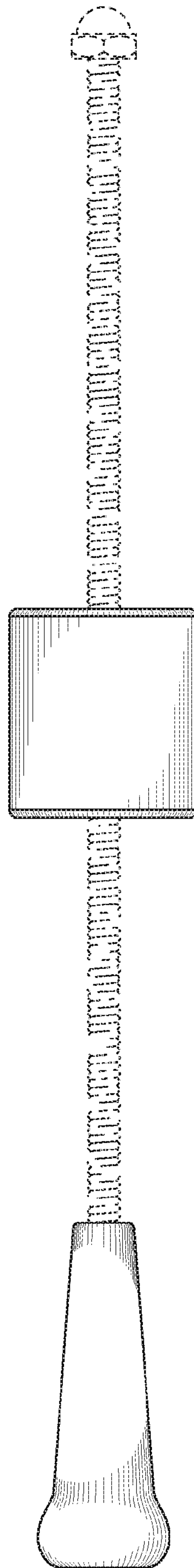


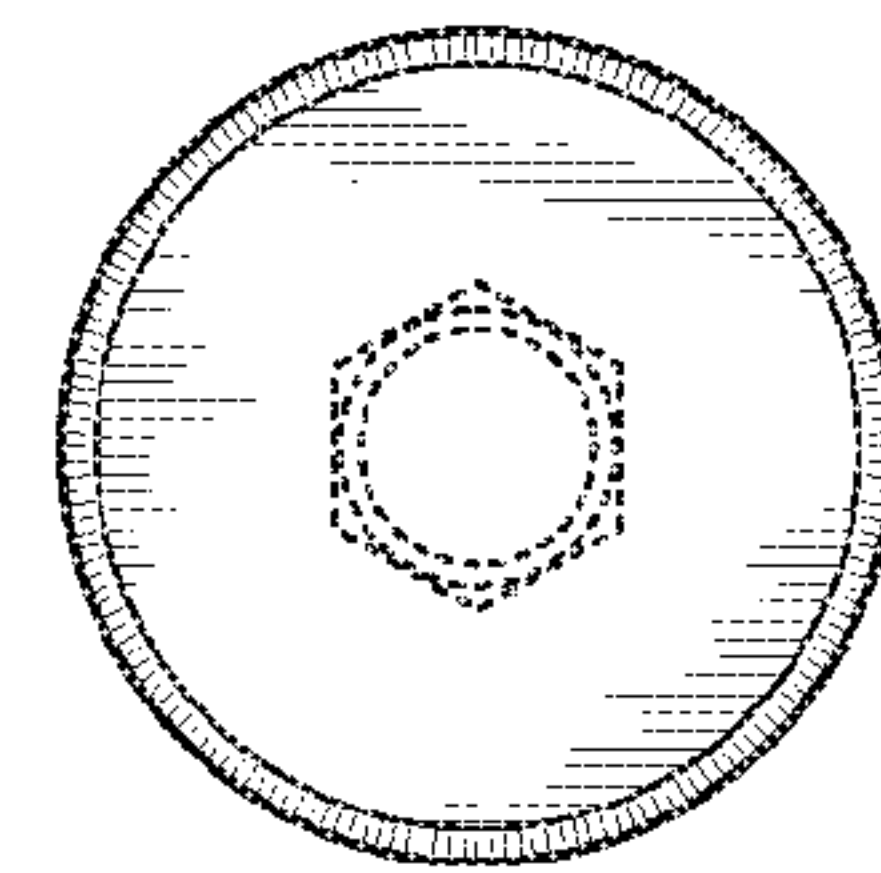
FIG. 1



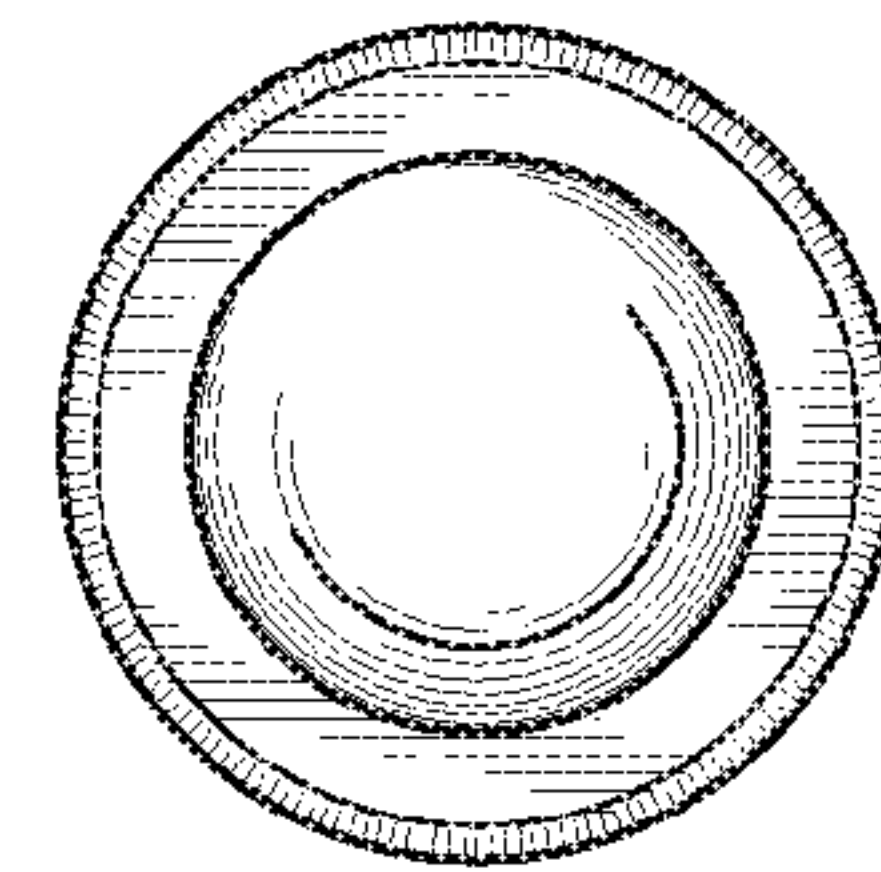
**FIG. 2**



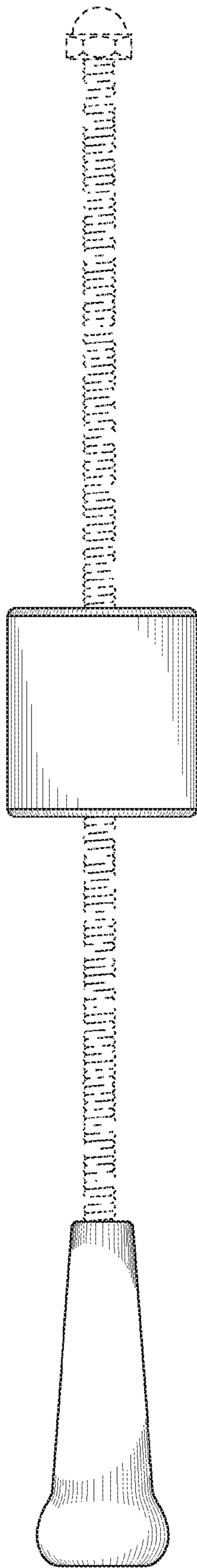
**FIG. 3**



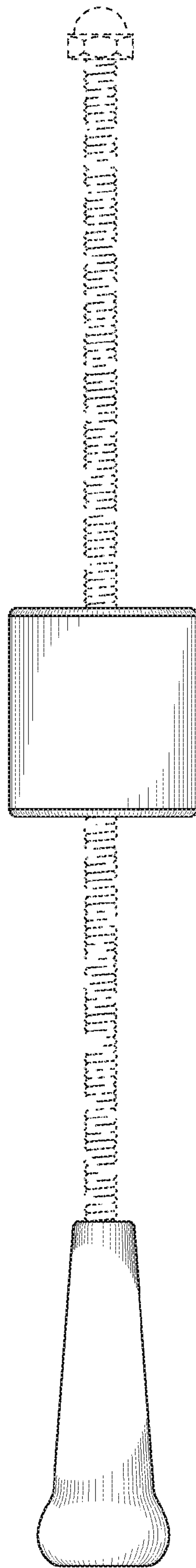
**FIG. 4**



**FIG. 5**



**FIG. 6**



**FIG. 7**



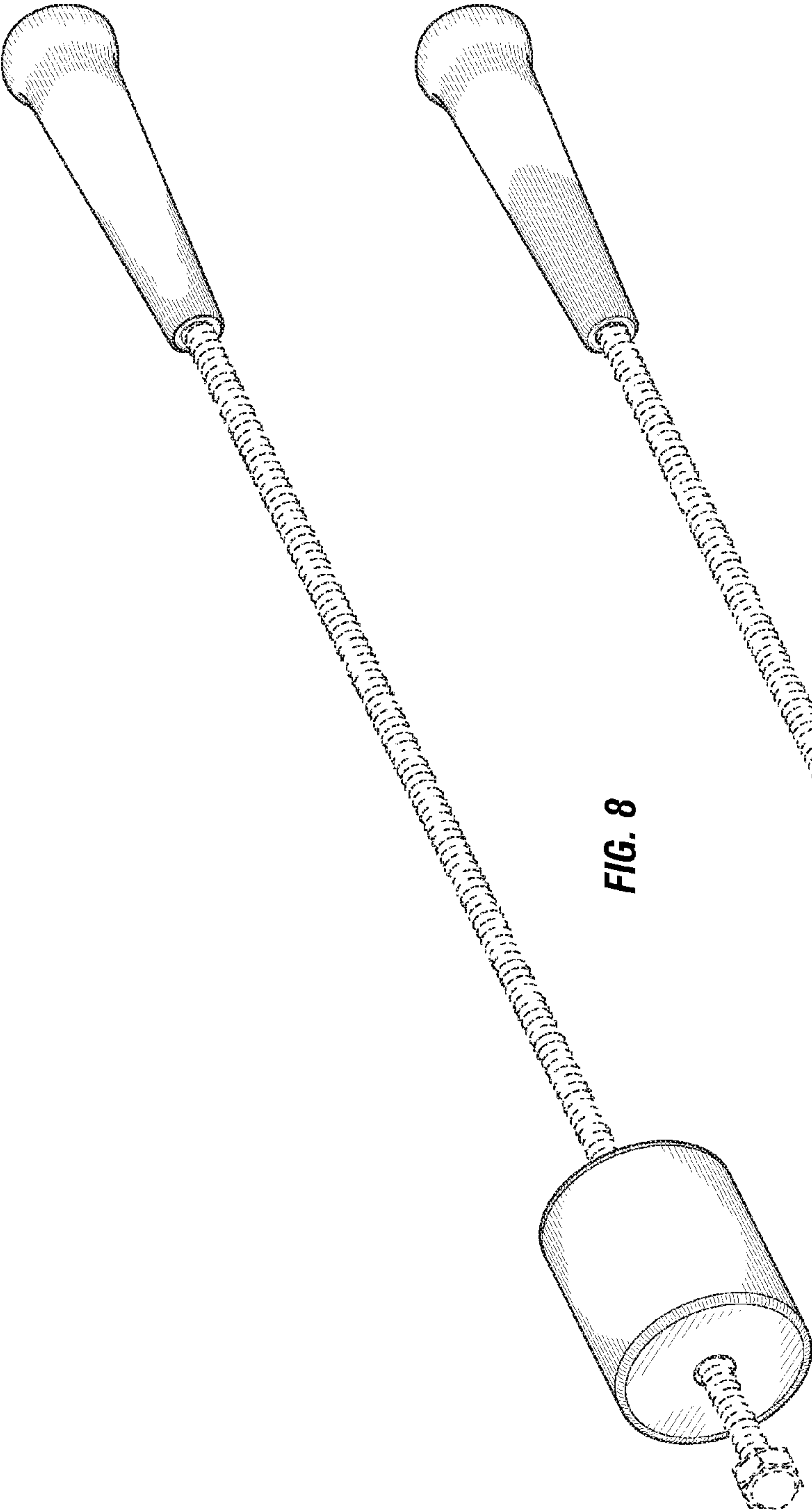


FIG. 8

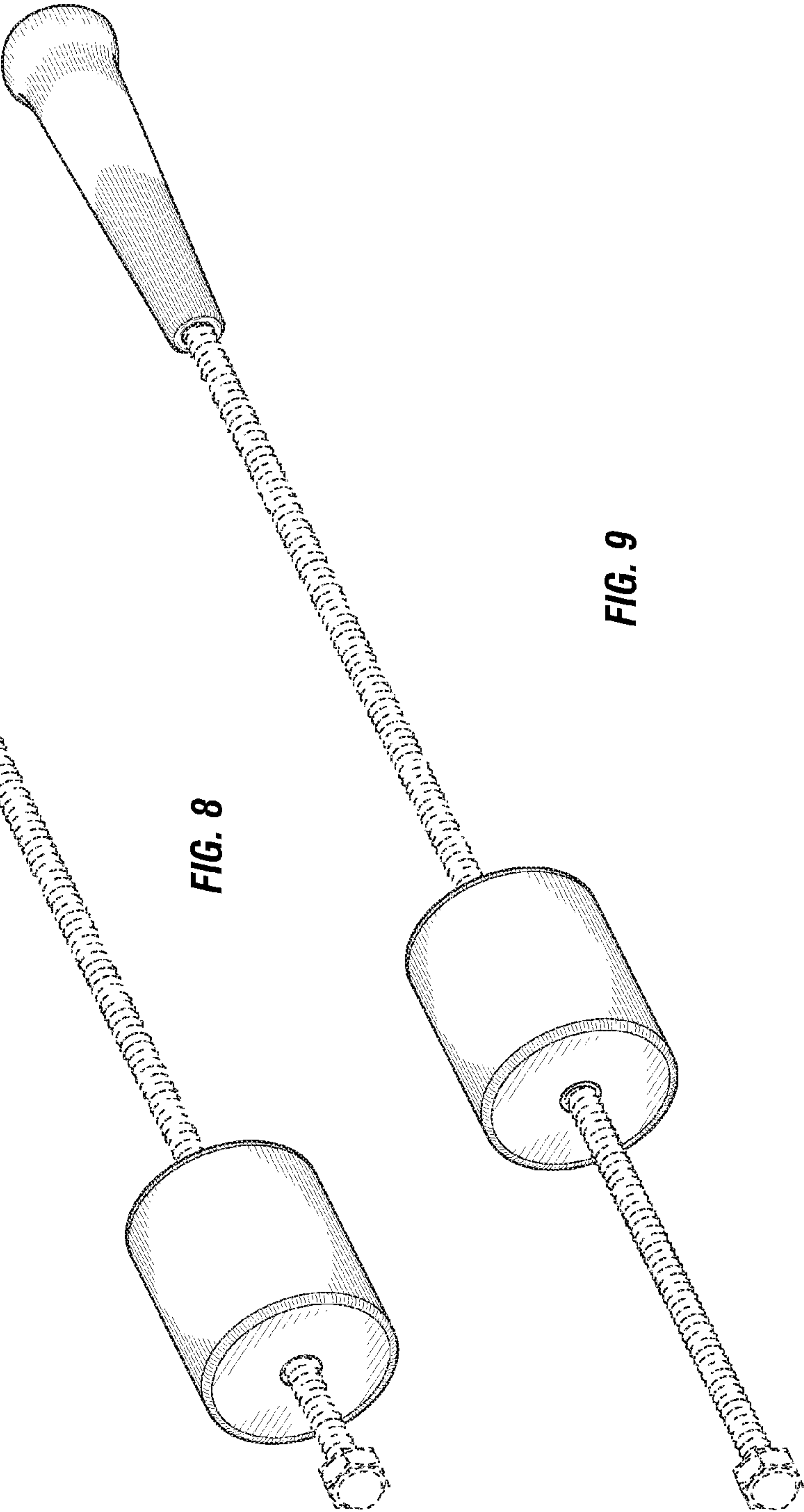
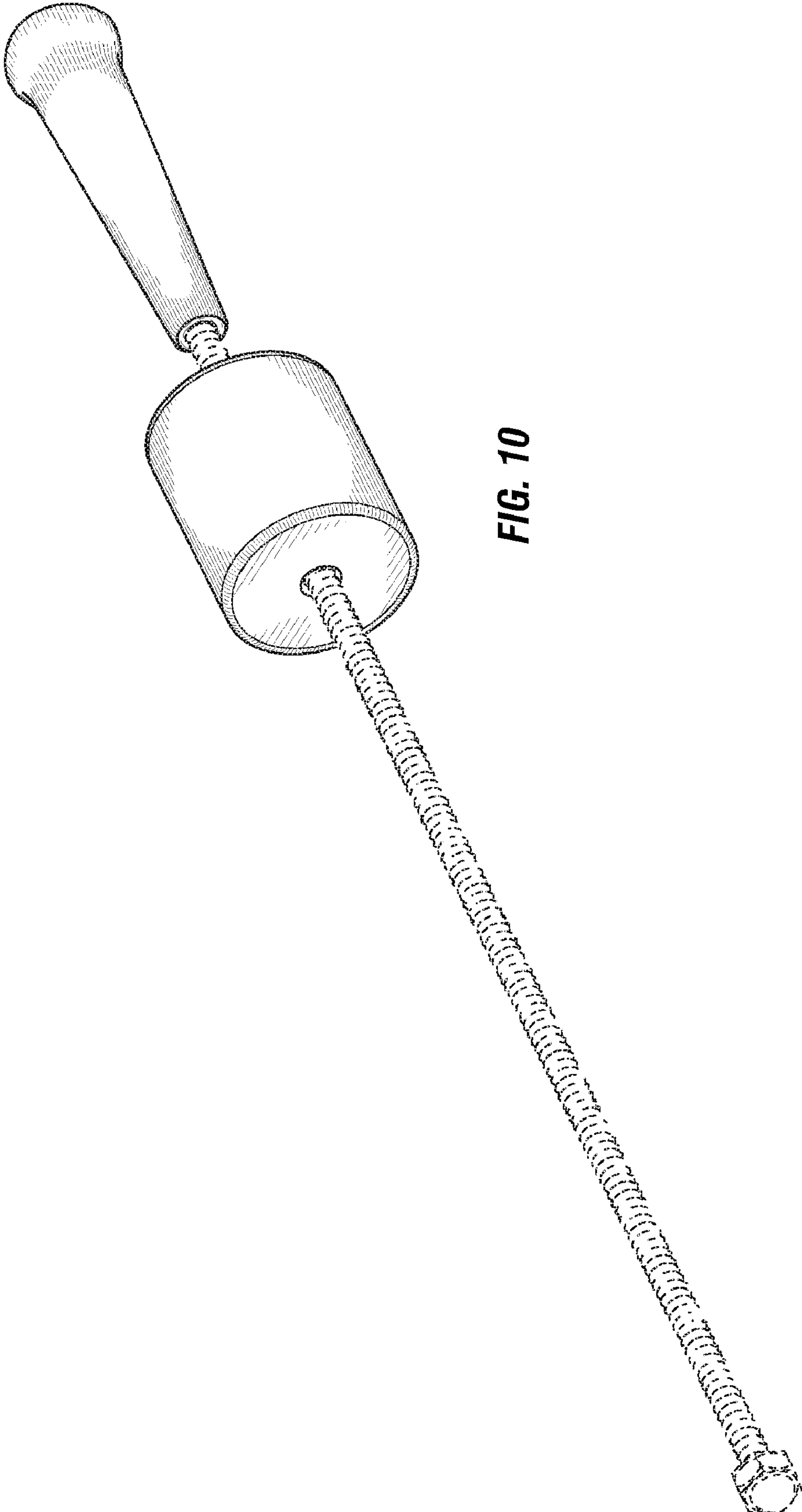


FIG. 9



**FIG. 10**