

US00D566202S

(12) **United States Design Patent**  
**Sasada**

(10) **Patent No.:** **US D566,202 S**  
(45) **Date of Patent:** **\*\* Apr. 8, 2008**

(54) **CONTROLLER FOR GAME DEVICE**

(75) Inventor: **Atsuko Sasada**, Tokyo (JP)

(73) Assignee: **Sega Corporation**, Tokyo (JP)

(\*\*) Term: **14 Years**

(21) Appl. No.: **29/274,062**

(22) Filed: **Mar. 27, 2007**

(30) **Foreign Application Priority Data**

Sep. 28, 2006 (JP) ..... 2006-026057

(51) **LOC (8) Cl.** ..... **21-01**

(52) **U.S. Cl.** ..... **D21/566**

(58) **Field of Classification Search** ..... D21/324,  
D21/333, 566; D14/400, 401, 454, 217,  
D14/218, 358, 155; D13/168; 446/454-456;  
463/6, 7, 37-39, 46, 47

See application file for complete search history.

(56) **References Cited**

U.S. PATENT DOCUMENTS

D212,240 S \* 9/1968 Wong ..... D21/566

D263,858 S \* 4/1982 Ngai ..... D21/566

4,552,360 A \* 11/1985 Bromley et al. .... 463/38

D502,968 S \* 3/2005 Takahashi et al. .... D21/566

D508,964 S \* 8/2005 Gollither ..... D21/566

\* cited by examiner

*Primary Examiner*—Holly H. Baynham

*Assistant Examiner*—Cynthia M. Chin

(74) *Attorney, Agent, or Firm*—Dickstein Shapiro LLP

(57) **CLAIM**

The ornamental design for a controller for game device, as shown and described.

**DESCRIPTION**

FIG. 1 is a front, top and left side perspective view of our new design for a controller for game device;

FIG. 2 is a front elevational view of the controller for game device of FIG. 1;

FIG. 3 is a rear elevational view of the controller for game device of FIG. 1;

FIG. 4 is a top plan view of the controller for game device of FIG. 1;

FIG. 5 is a bottom plan view of the controller for game device of FIG. 1;

FIG. 6 is a right side elevational view of the controller for game device of FIG. 1; and,

FIG. 7 is a left side elevational view of the controller for game device of FIG. 1.

**1 Claim, 7 Drawing Sheets**

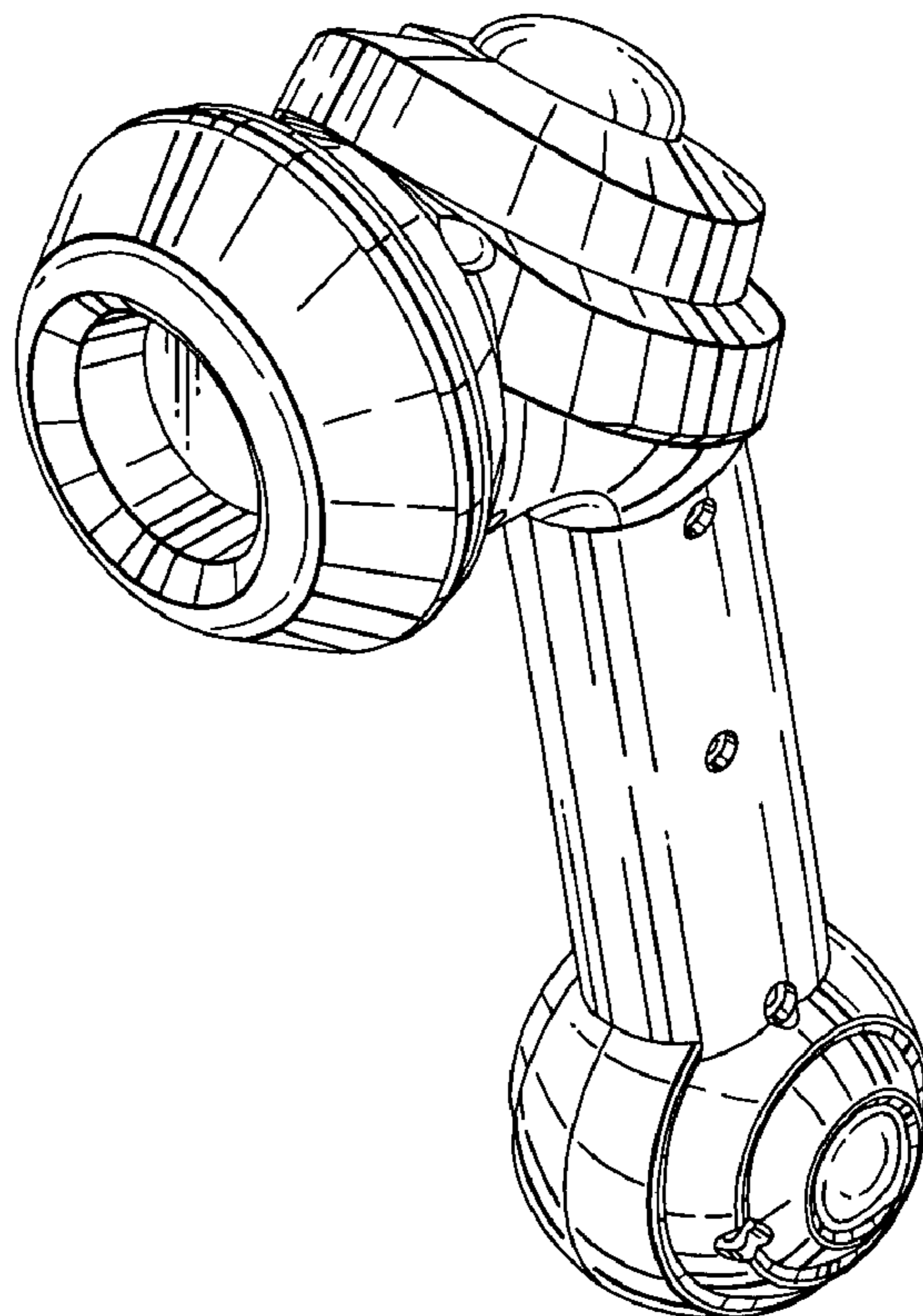


FIG. 1

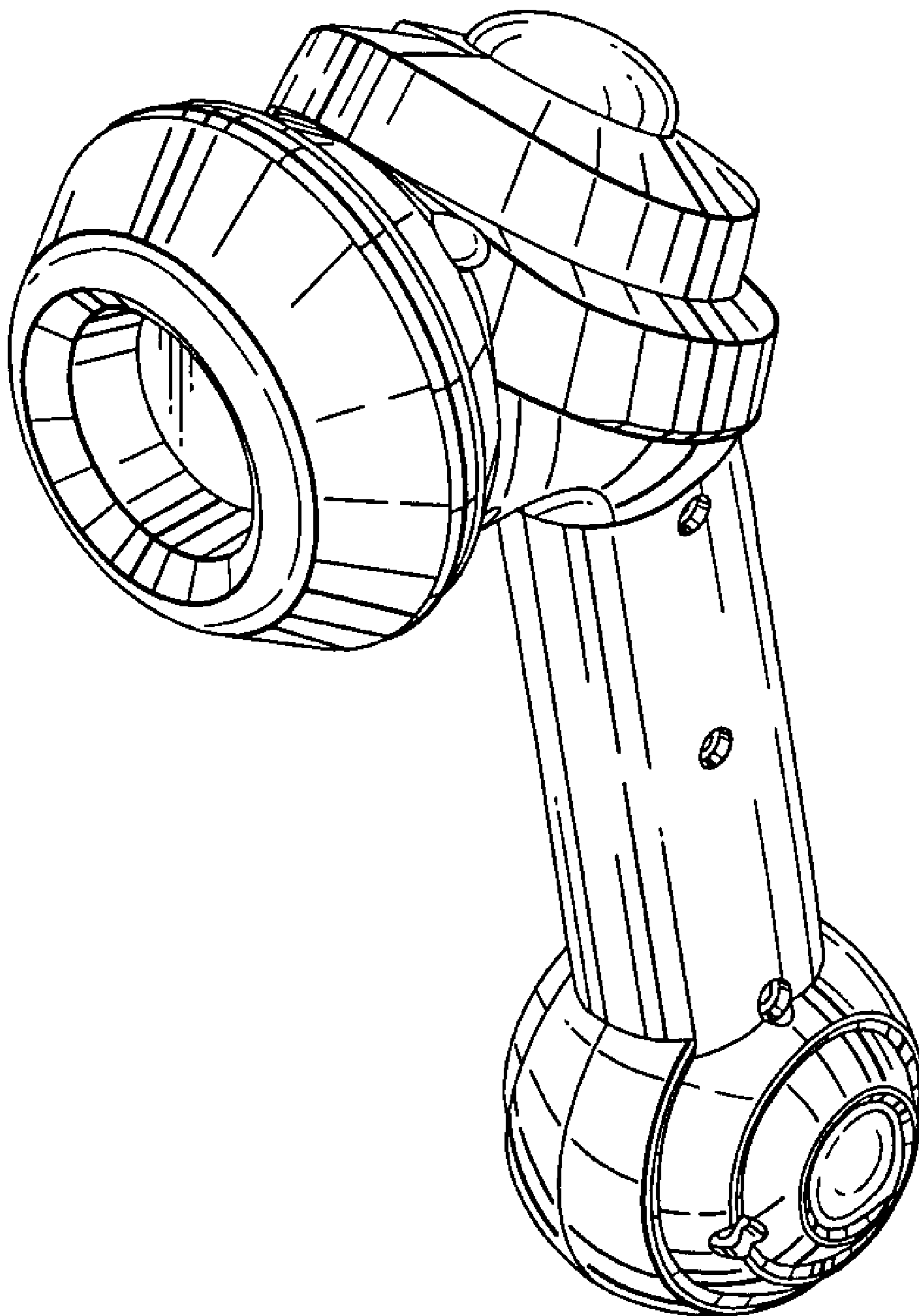


FIG.2

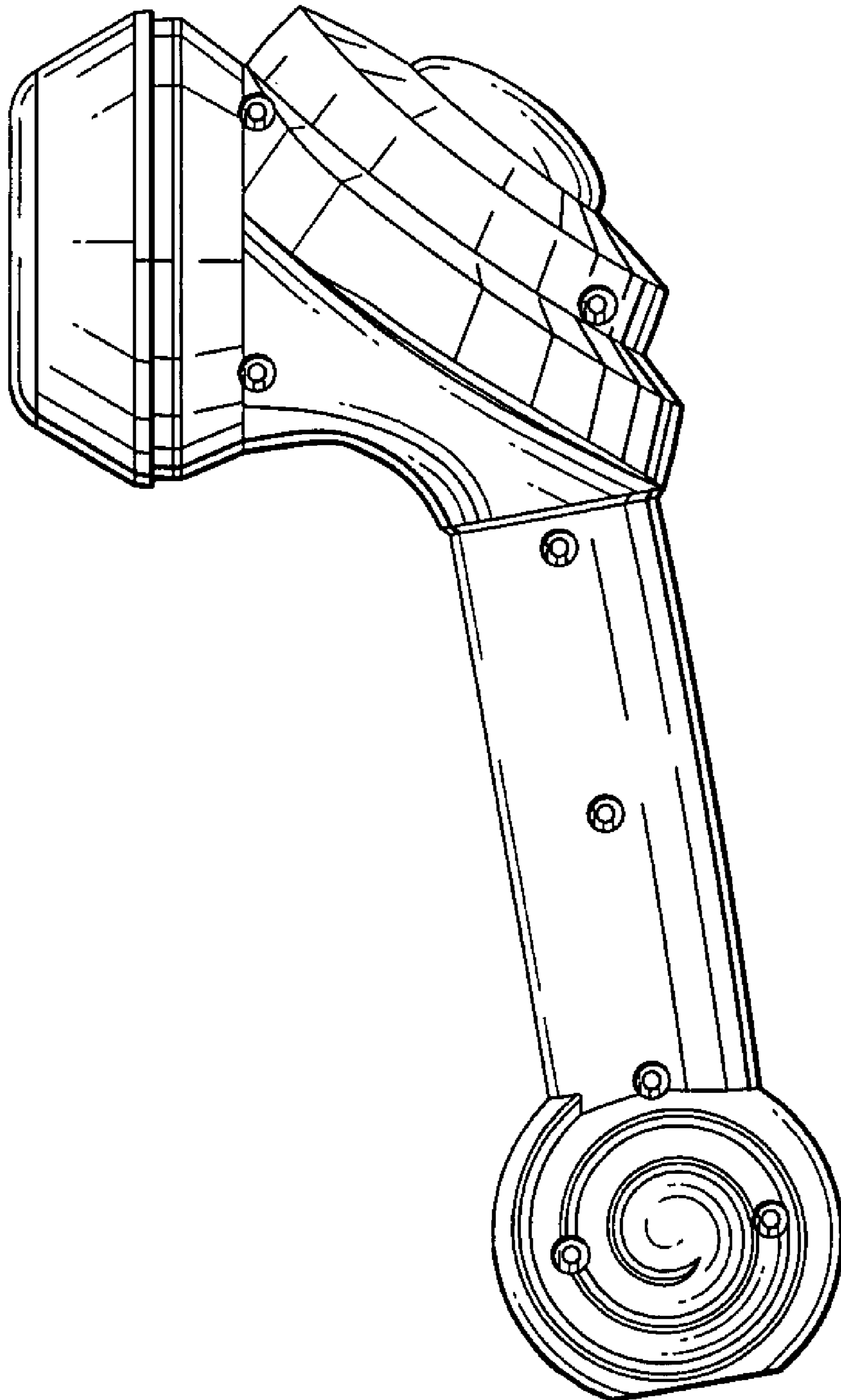


FIG.3

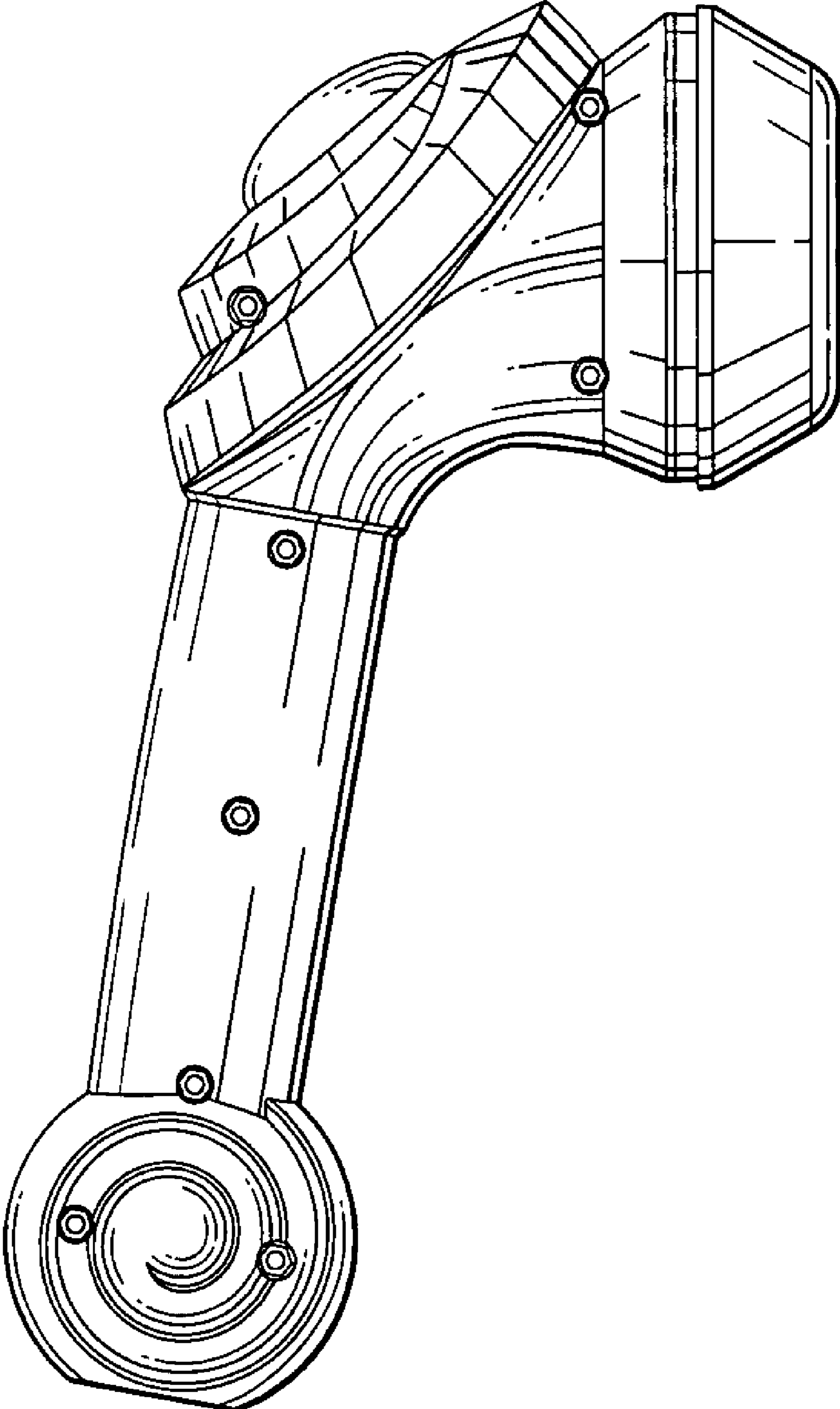


FIG.4

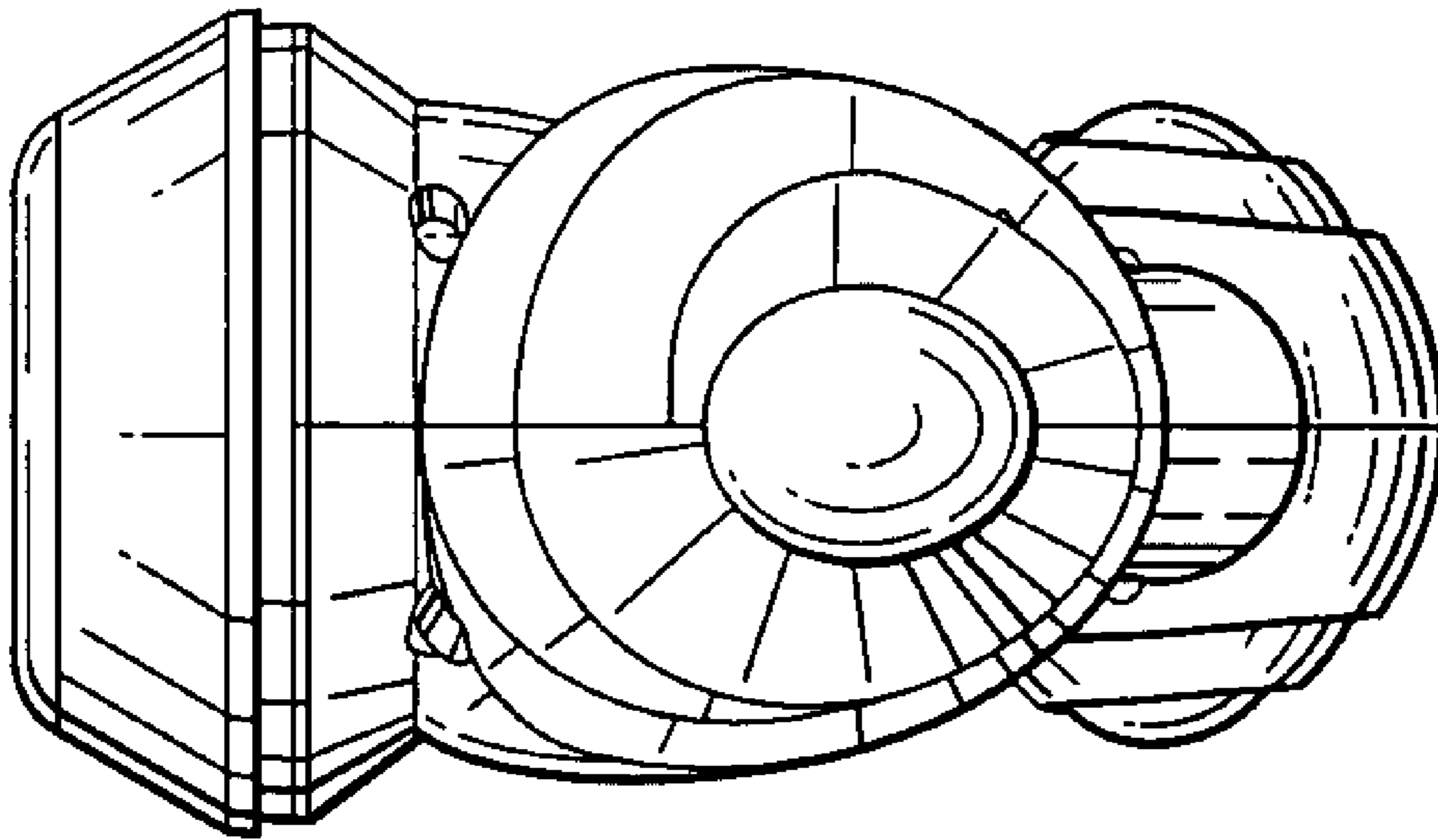


FIG.5

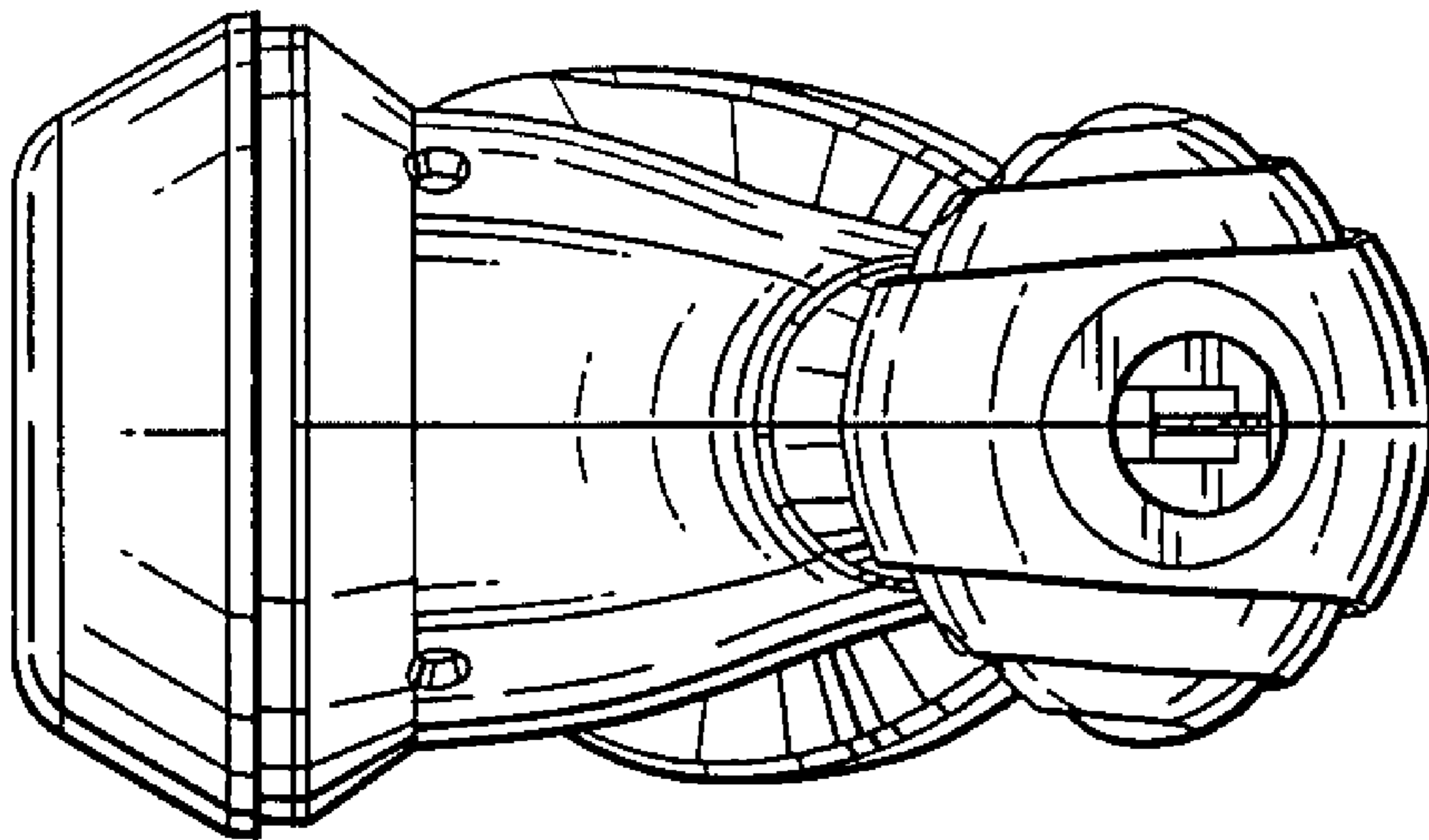


FIG.6

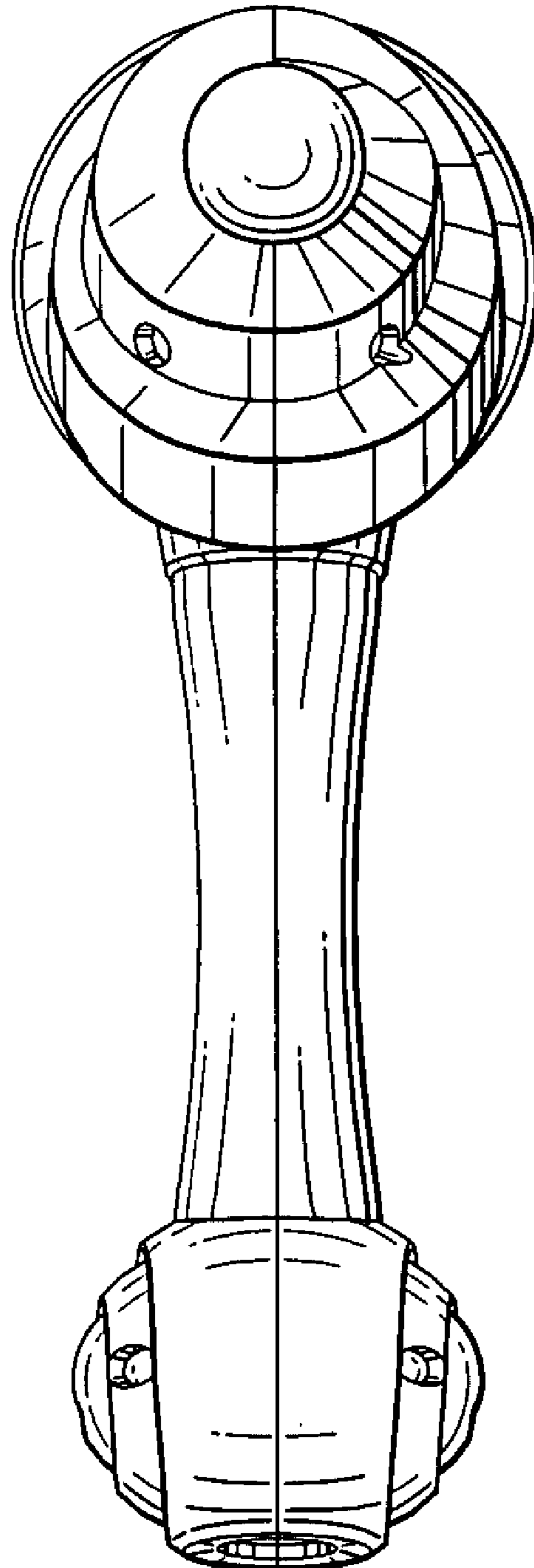


FIG. 7

