

US00D566201S

(12) **United States Design Patent** (10) **Patent No.:** **US D566,201 S**  
**Glickman et al.** (45) **Date of Patent:** **\*\* \*Apr. 8, 2008**

(54) **CONSTRUCTION TOY PIECE**

(75) Inventors: **Joel Glickman**, Jupiter, FL (US);  
**Joseph Smith**, Elkins Park, PA (US)

(73) Assignee: **K’NEX Limited Partnership Group**,  
Hatfield, PA (US)

(\*) Notice: This patent is subject to a terminal disclaimer.

(\*\*) Term: **14 Years**

(21) Appl. No.: **29/269,533**

(22) Filed: **Dec. 1, 2006**

(51) **LOC (8) Cl.** ..... **21-01**

(52) **U.S. Cl.** ..... **D21/484**

(58) **Field of Classification Search** ..... D21/483–505,  
D21/386, 390; D25/113–118; 446/69, 85,  
446/102, 103–128; 434/259, 508, 403; 273/153,  
273/156, 160, 271

See application file for complete search history.

(56) **References Cited**

**U.S. PATENT DOCUMENTS**

2,099,149 A	11/1937	Turnquist	
2,406,759 A *	9/1946	Glukes	446/127
3,867,784 A	2/1975	Lange	
3,872,620 A	3/1975	Daenen	
4,124,958 A *	11/1978	Chiche	446/114
4,497,491 A *	2/1985	Holman	273/271
D285,463 S *	9/1986	Davis	D21/502
D297,303 S	8/1988	Finklestein	
4,823,532 A	4/1989	Westerburgen	
D304,218 S *	10/1989	Klitsner	D21/496
4,968,040 A	11/1990	McElhane	
D314,829 S	2/1991	Brock	
4,990,116 A	2/1991	Chen	
D319,477 S	8/1991	McElhane	

D330,056 S	10/1992	Pagel	
D343,429 S	1/1994	Sorensen et al.	
D344,769 S	3/1994	Poulsen	
D352,743 S	11/1994	Kushner et al.	
D352,745 S	11/1994	Kushner et al.	
D357,510 S	4/1995	Kushner et al.	
D394,287 S *	5/1998	Jensen et al.	D21/500
D394,465 S	5/1998	Schmidt	
D422,035 S *	3/2000	Cyrus	D21/491
6,129,605 A	10/2000	Cyrus et al.	
6,179,685 B1	1/2001	Toft	
D461,566 S	8/2002	Ogawa et al.	
D461,913 S	8/2002	Ogawa	
D469,822 S *	2/2003	Manville	D21/489
D469,825 S	2/2003	Manville et al.	

**FOREIGN PATENT DOCUMENTS**

GB 2 136 699 A 9/1984

\* cited by examiner

*Primary Examiner*—Holly H. Baynham  
*Assistant Examiner*—Cynthia M. Chin  
(74) *Attorney, Agent, or Firm*—Schweitzer Cornman Gross & Bondell LLP

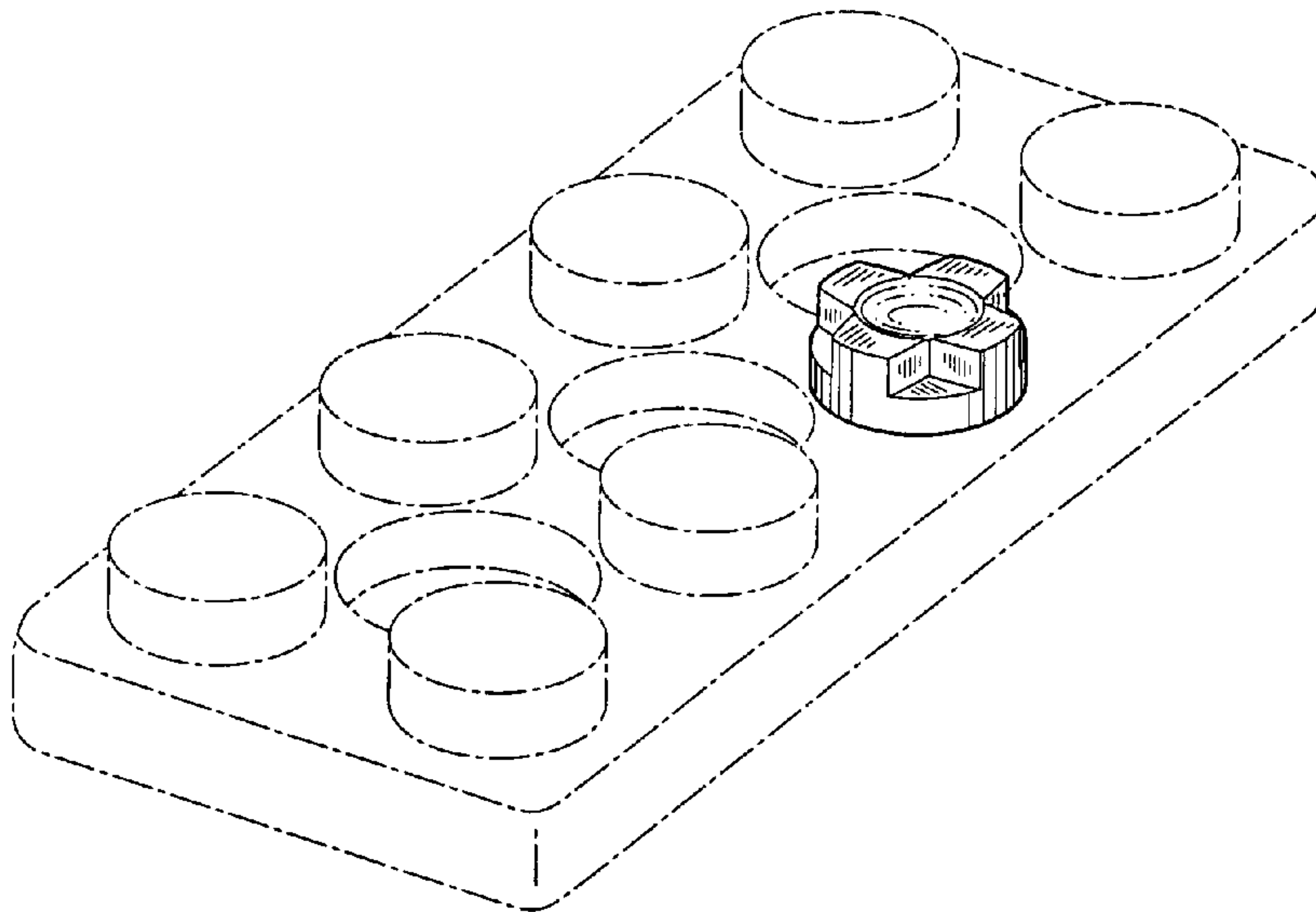
(57) **CLAIM**

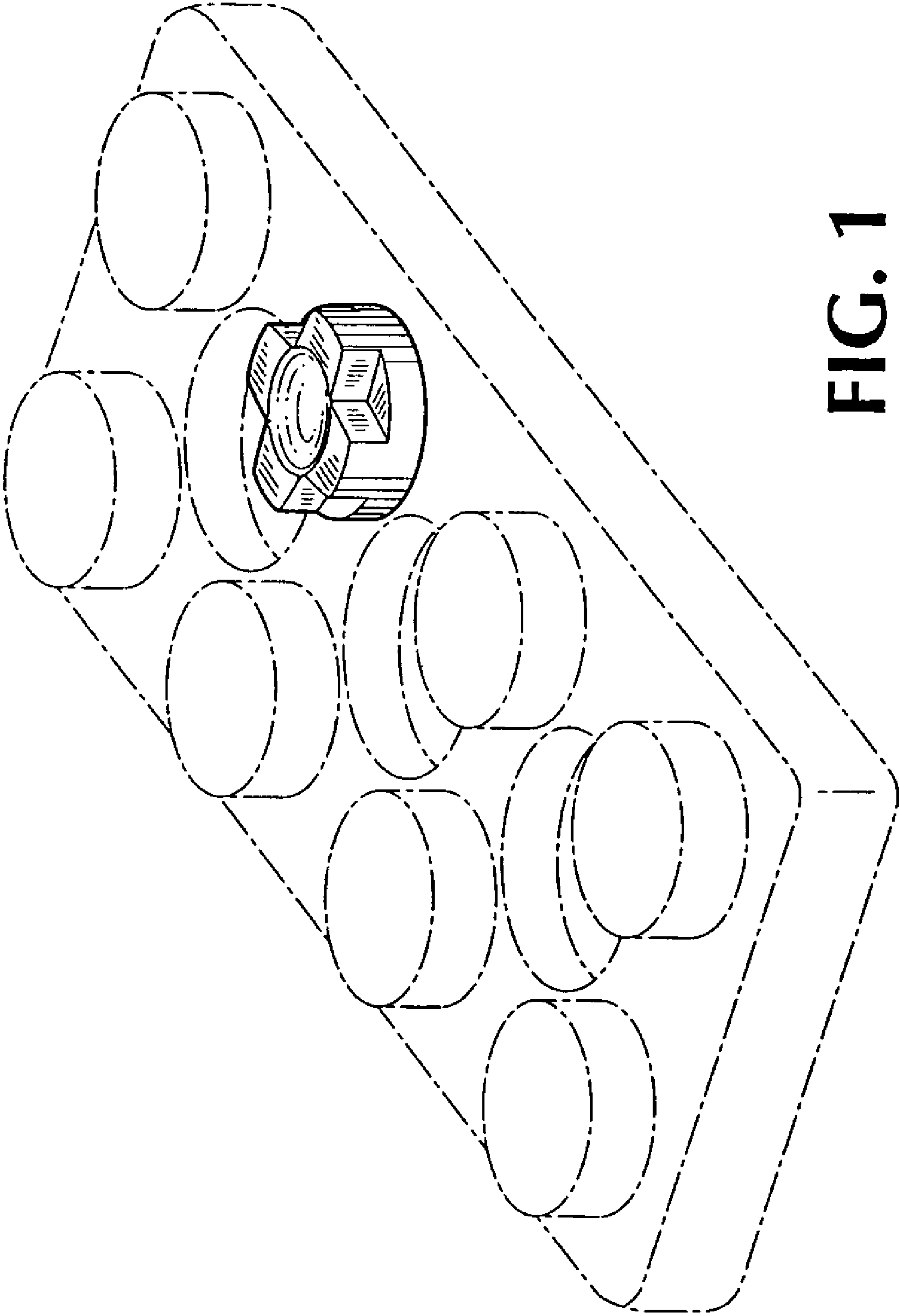
The ornamental design for a construction toy piece, as shown and described.

**DESCRIPTION**

FIG. 1 is a perspective view from the front;  
FIG. 2 is a top plan view;  
FIG. 3 is a side elevation view, the other side and the front and rear being identical.  
The bottom forms no part of the claimed design. The broken lines in the drawings are intended to show environmental structure and form no part of the claimed design.

**1 Claim, 2 Drawing Sheets**





**FIG. 1**

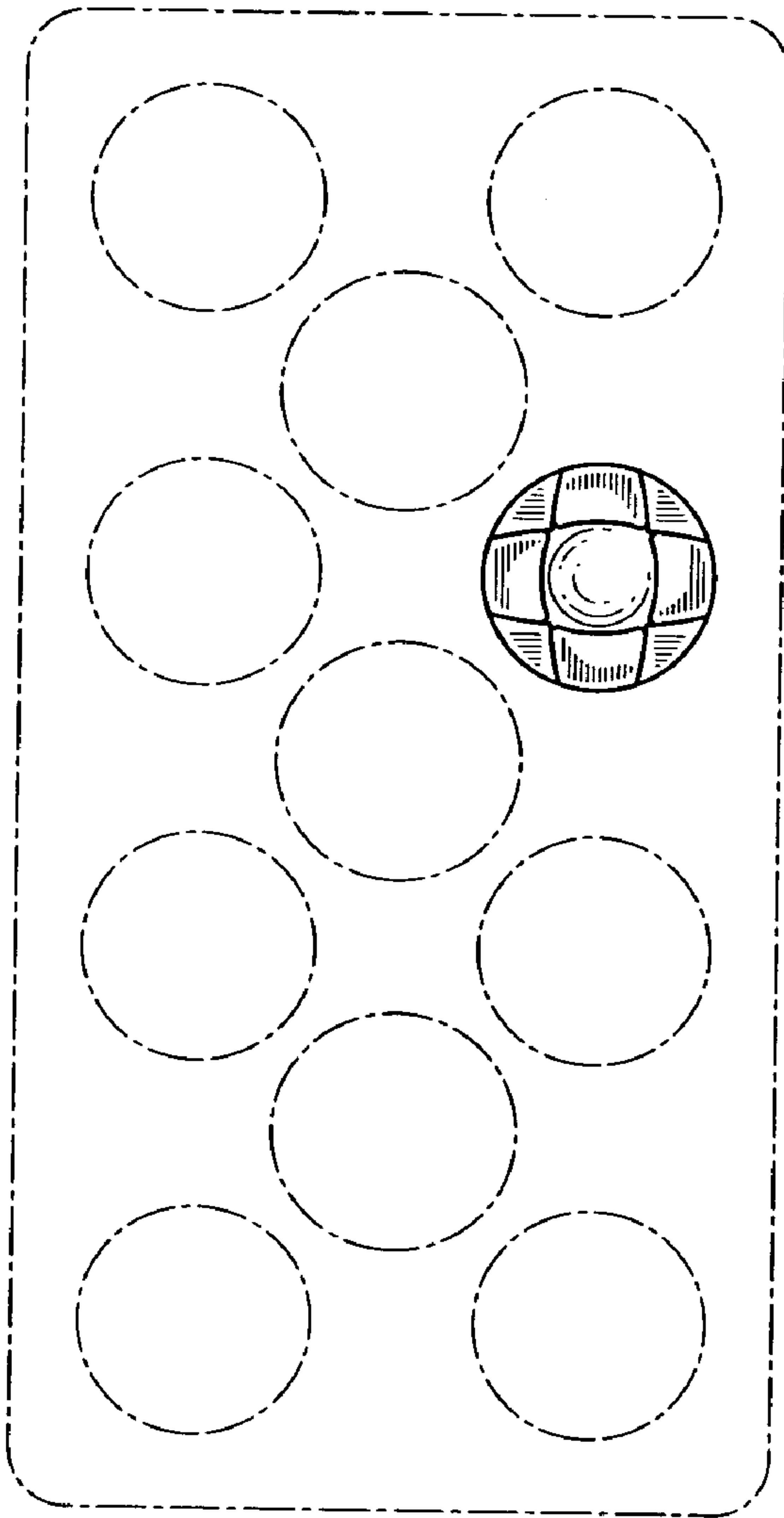


FIG. 2

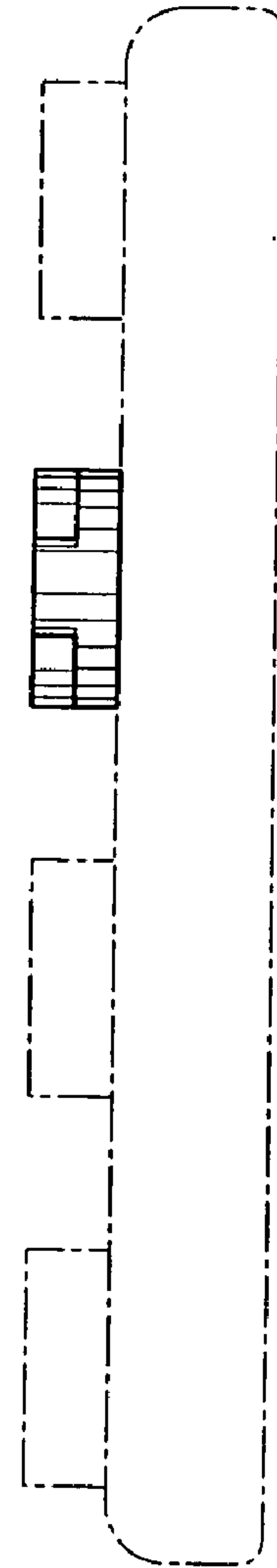


FIG. 3