



US00D566197S

(12) **United States Design Patent**  
**Greenberg et al.**

(10) **Patent No.:** **US D566,197 S**

(45) **Date of Patent:** **\*\* Apr. 8, 2008**

(54) **GAMING MACHINE WITH CURVED FEATURE**

D512,105 S 11/2005 Chitrapongse et al. .... D21/370  
2004/0053662 A1\* 3/2004 Pacey ..... 463/16  
2005/0014547 A1 1/2005 Gomez et al. .... 463/16

(75) Inventors: **Jacob C. Greenberg**, Elgin, IL (US);  
**Eleobardo Moreno**, St. John, IN (US)

\* cited by examiner

(73) Assignee: **WMS Gaming Inc.**, Waukegan, IL (US)

*Primary Examiner*—Sandra Morris  
(74) *Attorney, Agent, or Firm*—Nixon Peabody LLP

(\*\*) Term: **14 Years**

(57) **CLAIM**

(21) Appl. No.: **29/268,535**

The ornamental design for a “gaming machine with curved feature,” as shown and described.

(22) Filed: **Nov. 8, 2006**

**DESCRIPTION**

(51) **LOC (8) Cl.** ..... **21-03**

(52) **U.S. Cl.** ..... **D21/370; D21/385**

(58) **Field of Classification Search** ..... D21/324,  
D21/329, 369–370, 385; 273/138.1; 463/11–13,  
463/25–26, 46–47

FIG. 1 is a perspective view of a gaming machine with curved feature showing our new design.

See application file for complete search history.

FIG. 2 is a front view of the gaming machine shown in FIG. 1.

(56) **References Cited**

FIG. 3 is a left-side view of the gaming machine shown in FIG. 1.

**U.S. PATENT DOCUMENTS**

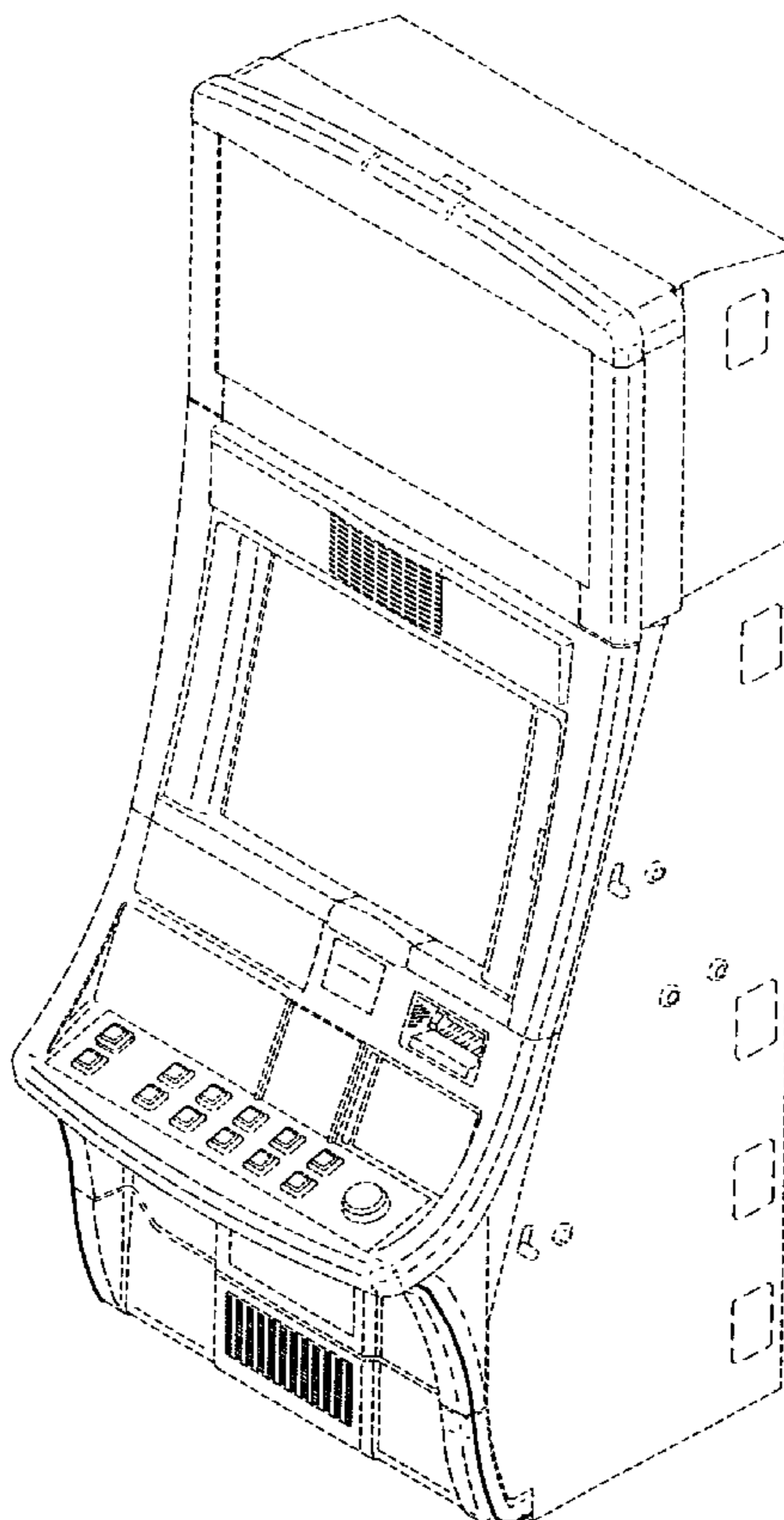
FIG. 4 is a right-side view of the gaming machine shown in FIG. 1; and,

D351,869 S	10/1994	Rothschild et al. ....	D21/37
D459,402 S *	6/2002	Wurz et al. ....	D21/369
D464,377 S	10/2002	Wurz et al. ....	D21/325
D495,754 S	9/2004	Wurz et al. ....	D21/370
D495,755 S	9/2004	Wurz et al. ....	D21/370
D508,268 S *	8/2005	Hanchar et al. ....	D21/369
D509,254 S	9/2005	Rasmussen et al. ....	D21/369

FIG. 5 is a bottom view of the gaming machine shown in FIG. 1.

The broken lines shown are for illustrative purposes only and form no part of the claimed design.

**1 Claim, 5 Drawing Sheets**



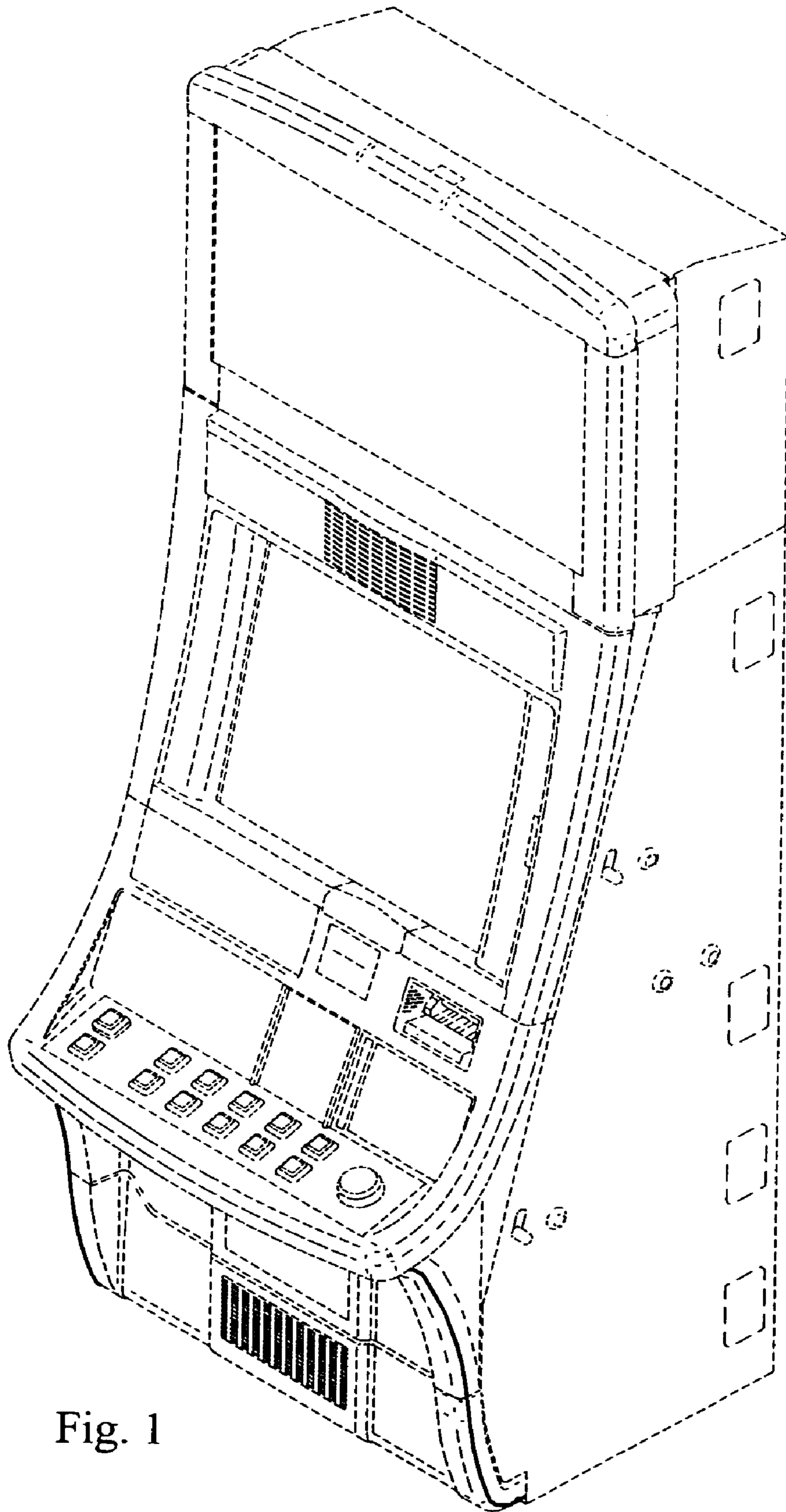


Fig. 1

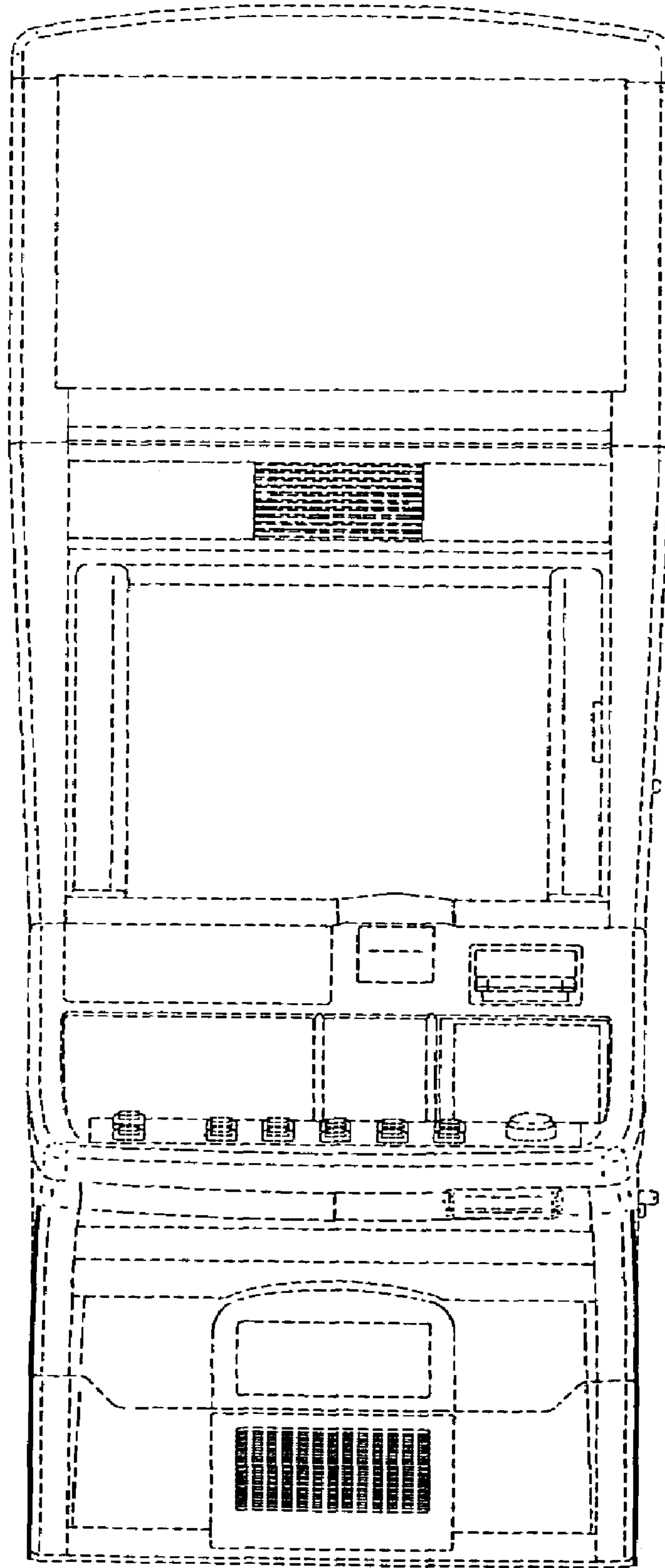


Fig. 2

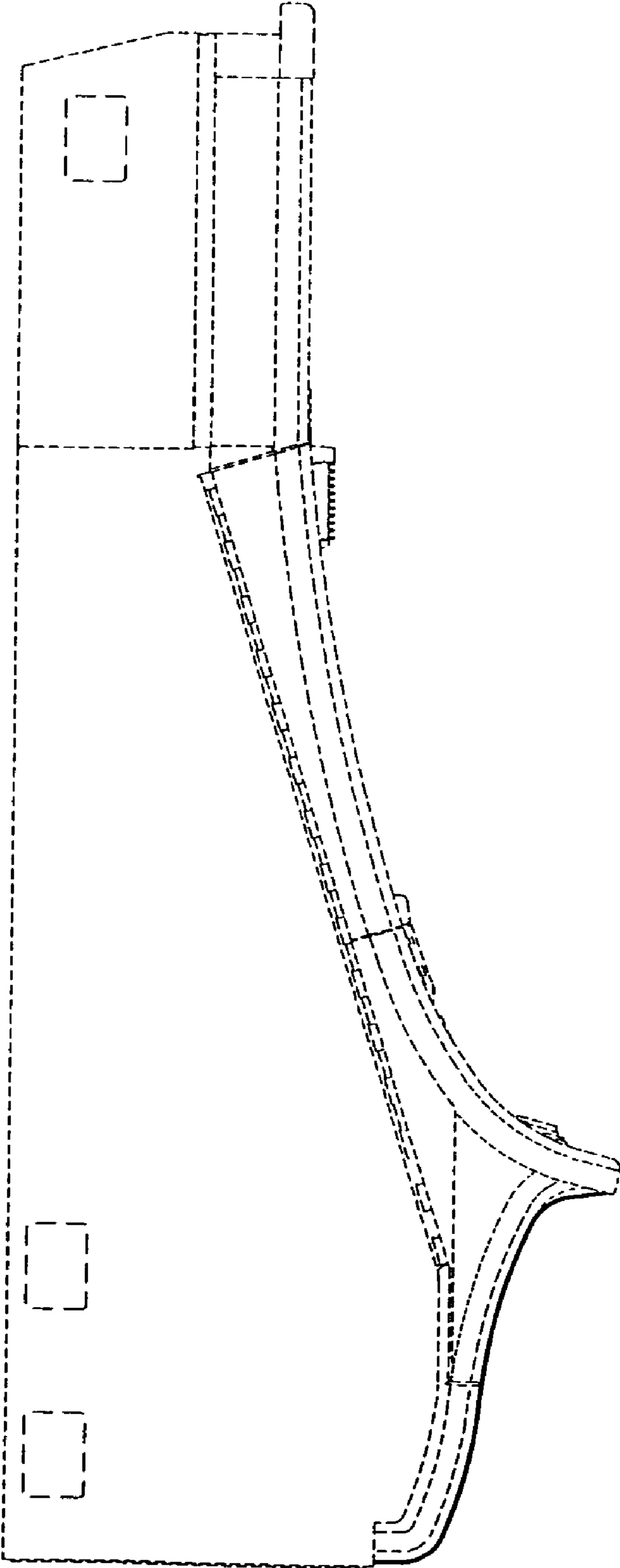


Fig. 3

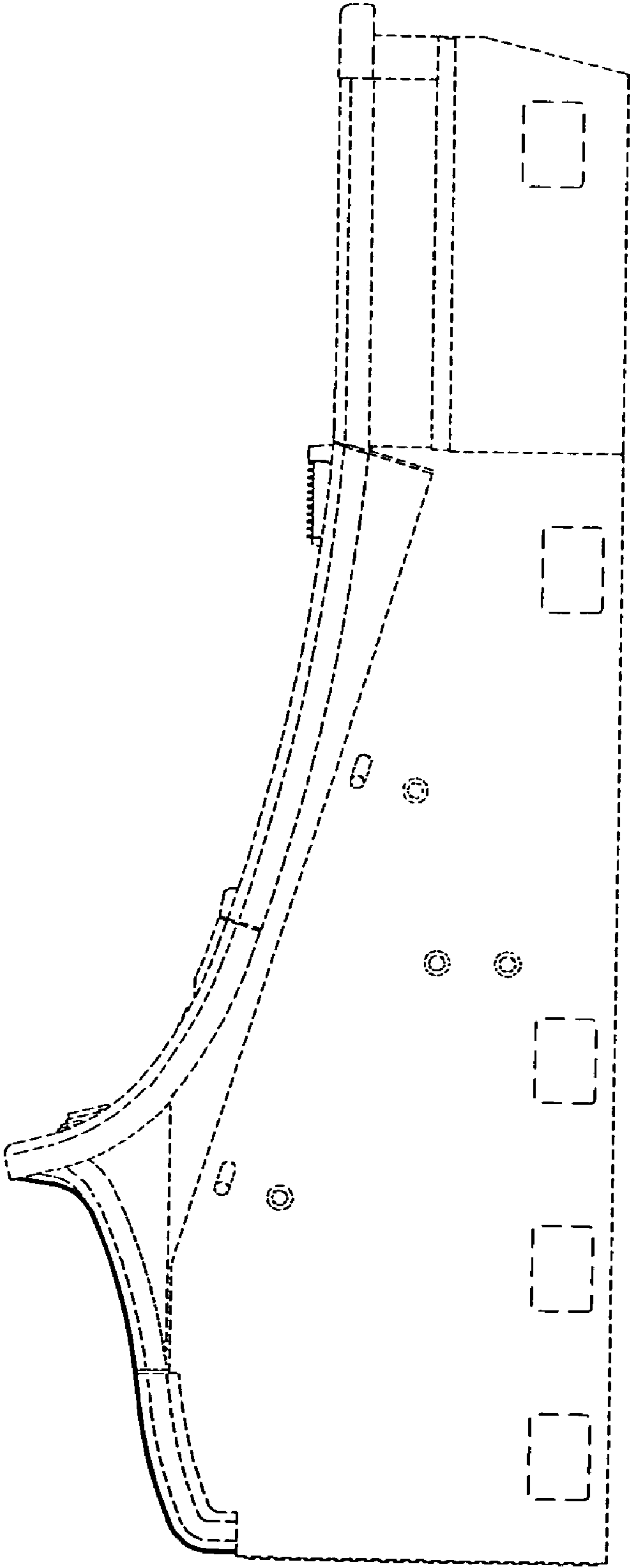


Fig. 4

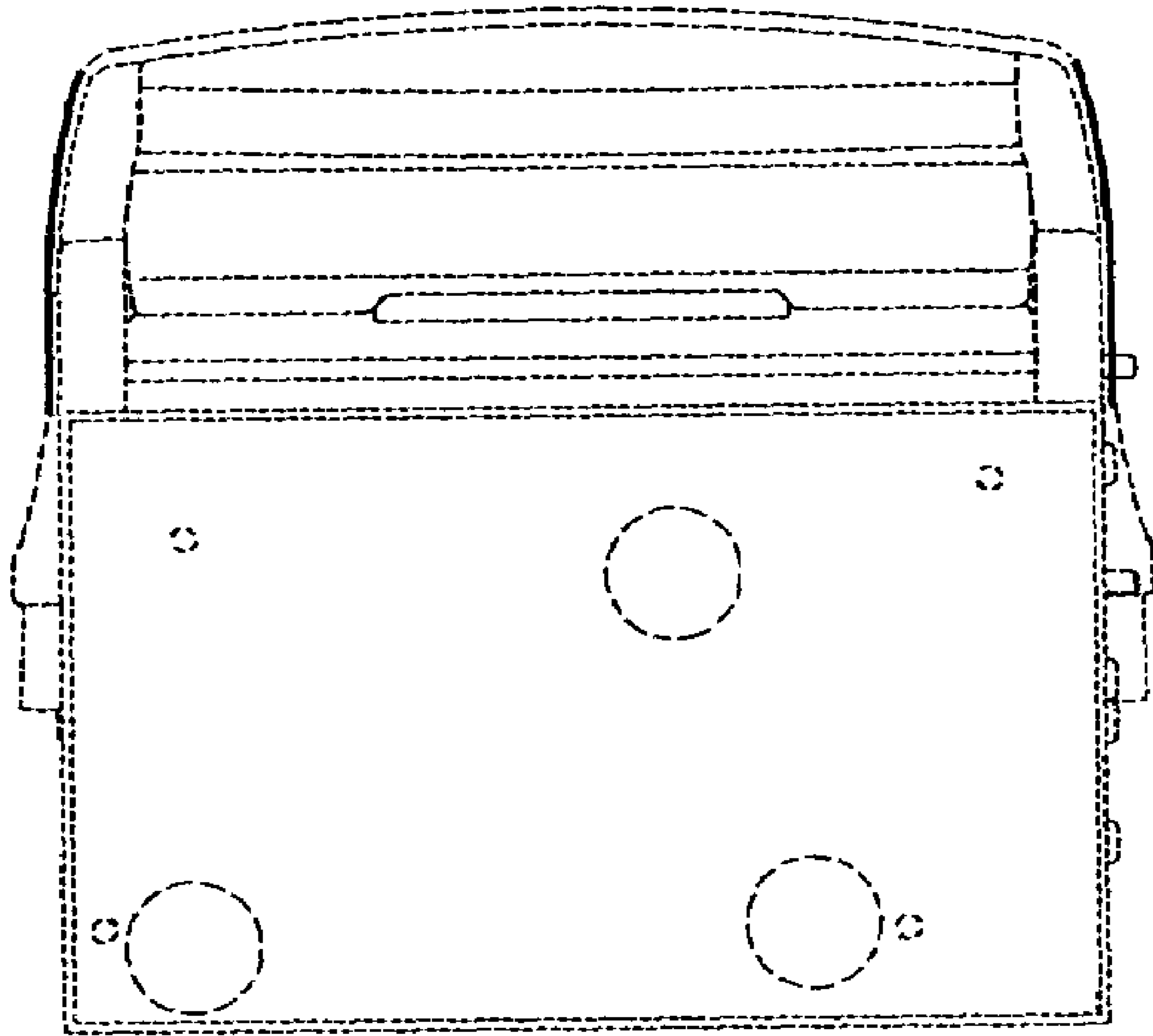


Fig. 5