



US00D566196S

(12) **United States Design Patent** (10) **Patent No.:** **US D566,196 S**  
**Morrow et al.** (45) **Date of Patent:** **\*\* Apr. 8, 2008**

(54) **TABLE TOP AND DISPLAY PORTION OF A GAME HOUSING**

(75) Inventors: **James David Morrow**, Oak Park, IL (US); **Alisa Elaine Kober**, Arlington Heights, IL (US)

(73) Assignee: **Cosmodog, Ltd.**, Chicago, IL (US)

(\*\*) Term: **14 Years**

(21) Appl. No.: **29/247,666**

(22) Filed: **Jun. 30, 2006**

(51) **LOC (8) Cl.** ..... **21-01**

(52) **U.S. Cl.** ..... **D21/329; D21/369**

(58) **Field of Classification Search** ..... D21/324,  
D21/329, 369-371, 385, 325; 273/148 R,  
273/148 B, 459-461, 138.1; 463/16-20,  
463/25, 30-32, 42, 46, 47; D14/496, 307,  
D14/373

See application file for complete search history.

(56) **References Cited**

**U.S. PATENT DOCUMENTS**

D259,795 S *	7/1981	Longo .....	D21/329
4,492,582 A *	1/1985	Chang et al. ....	434/169
4,536,164 A *	8/1985	Klawitter .....	446/143
D355,446 S *	2/1995	Sahler .....	D21/329
D425,941 S *	5/2000	Miller et al. ....	D21/324
6,139,432 A *	10/2000	Watanabe et al. ....	463/31
6,358,145 B1 *	3/2002	Wong et al. ....	463/17
D457,570 S *	5/2002	Brinson .....	D21/325
6,503,145 B1 *	1/2003	Webb .....	463/16
6,514,145 B1 *	2/2003	Kawabata et al. ....	463/46
6,848,993 B2 *	2/2005	Webb .....	463/22
D508,541 S *	8/2005	Tsujino et al. ....	D21/325
D540,398 S *	4/2007	Gadda et al. ....	D21/369

**OTHER PUBLICATIONS**

“Model 4243, The Philco ‘Holiday’, 1958”, <<http://www.mzstv.com/holiday.html>>, One page.

“Model 4654; The Philco ‘Pedestal’, 1958”, <<http://www.mzstv.com/pedestal.html>>, One page.

“Model 4710, The Philco ‘Penthouse’, 1958”, <<http://www.mzstv.com/tandem.html>>, One page.

“Model 3410, The Philco ‘Princess’, 1959”, <<http://www.mzstv.com/princess.html>>, One page.

“Model 4730, The Philco ‘Continental’, 1960”, <<http://www.mzstv.com/continental.html>>, One page.

“What happened to Philco?”, <<http://www.mzstv.com/philco.html>>, One page.

“Trackball Mounting Kits”, <<http://www.happcontrols.com/trackballs/55110100.htm>>, Two pages.

Brunswick Scorer’s Table.

Bowling Lane Markings.

\* cited by examiner

*Primary Examiner*—Prabhakar Deshmukh

(74) *Attorney, Agent, or Firm*—Banner & Witcoff, Ltd.

(57) **CLAIM**

The ornamental design for a table top and display portion of a game housing, as shown and described.

**DESCRIPTION**

FIG. 1 is a perspective view of a table top and display portion of a game housing showing our new design;

FIG. 2 is a front elevational view thereof;

FIG. 3 is a left side elevational view thereof;

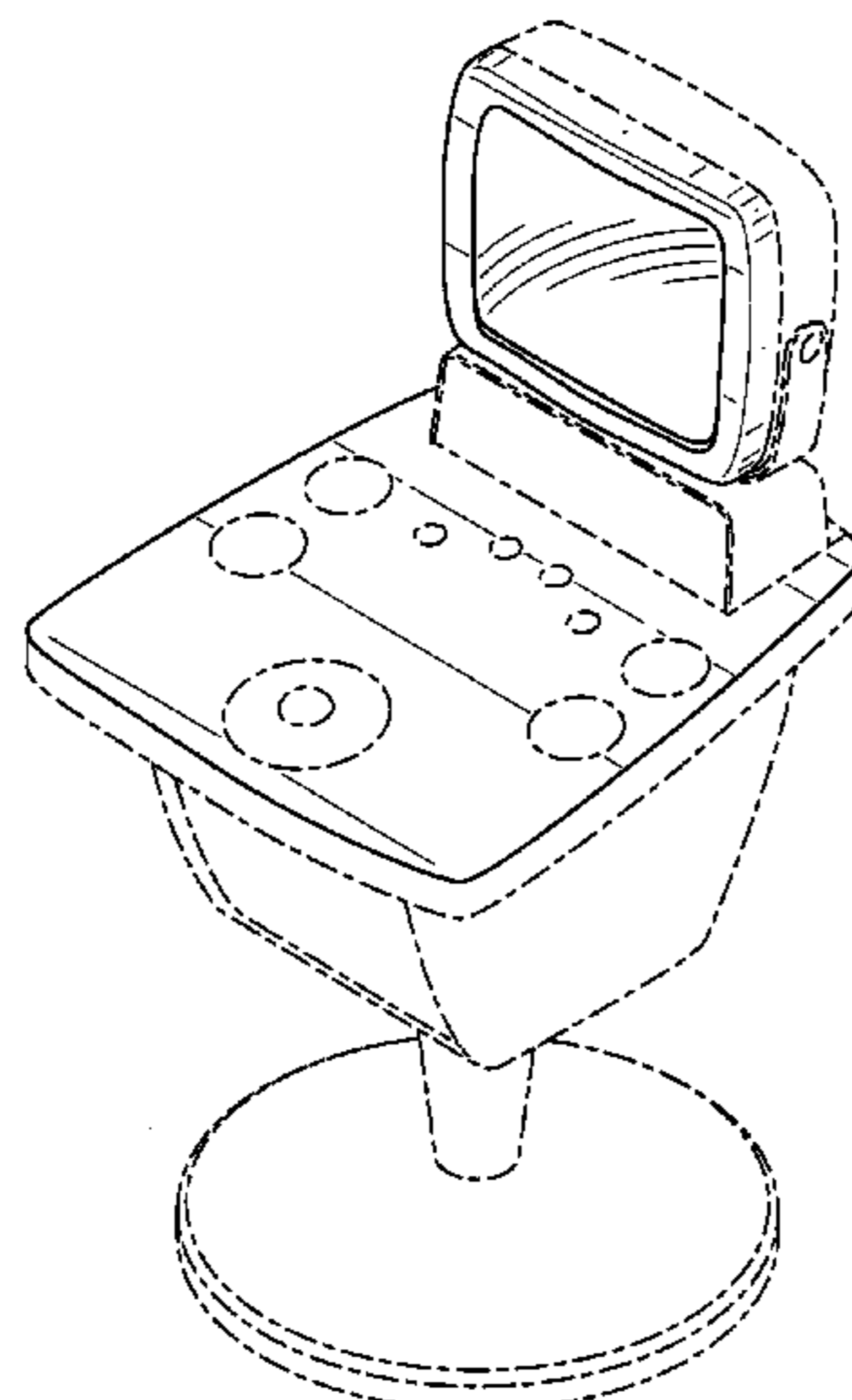
FIG. 4 is a right side elevational view thereof; and,

FIG. 5 is a top plan view thereof.

The broken line showing of various circles on the table top portion are unclaimed regions. The broken line showing of the remainder of the game housing and the unshaded areas there within are for illustrative purposes only and form no part of the claimed design.

The broken lines, which define the bounds of the claimed design, form no part thereof.

**1 Claim, 5 Drawing Sheets**



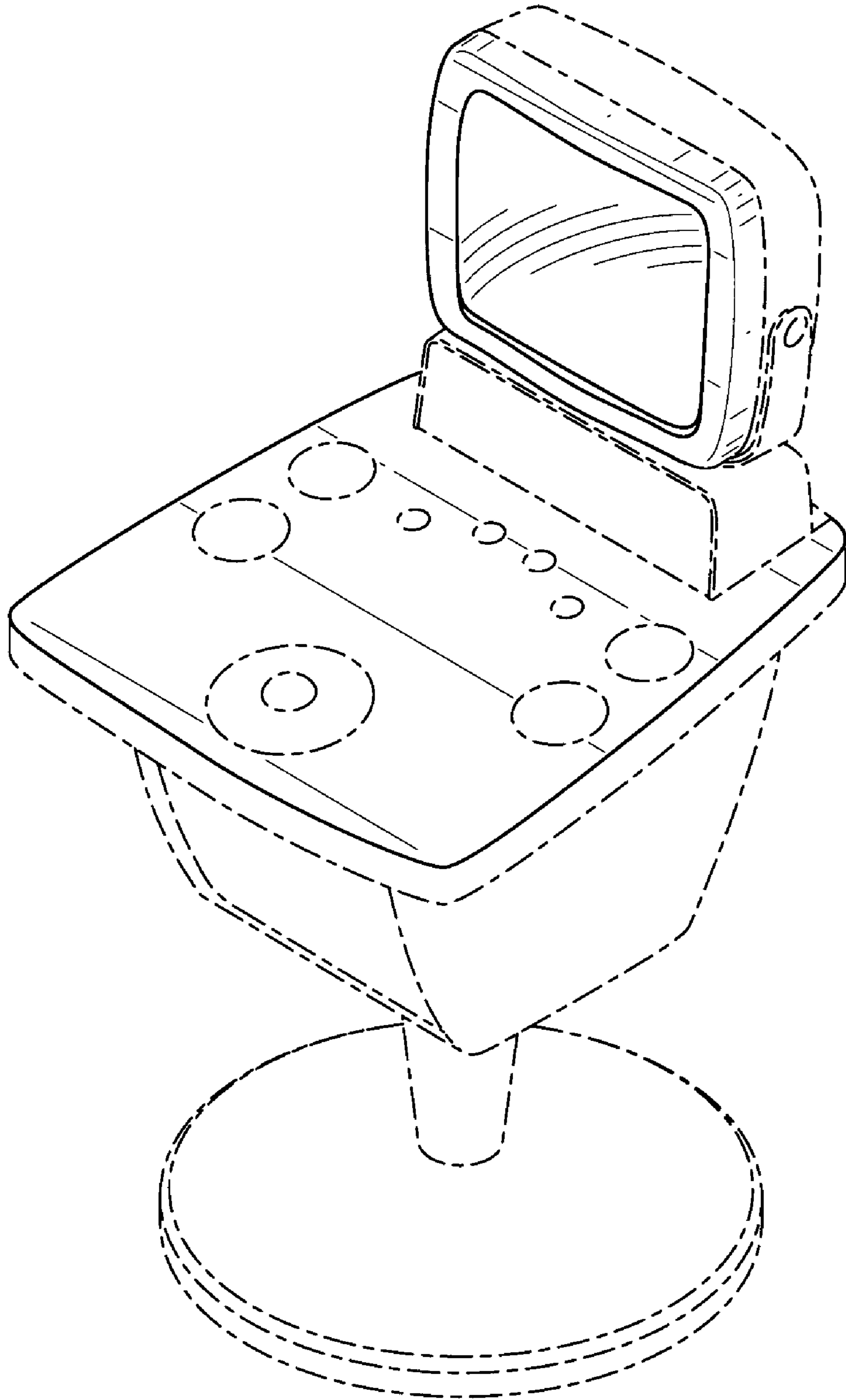


FIG. 1

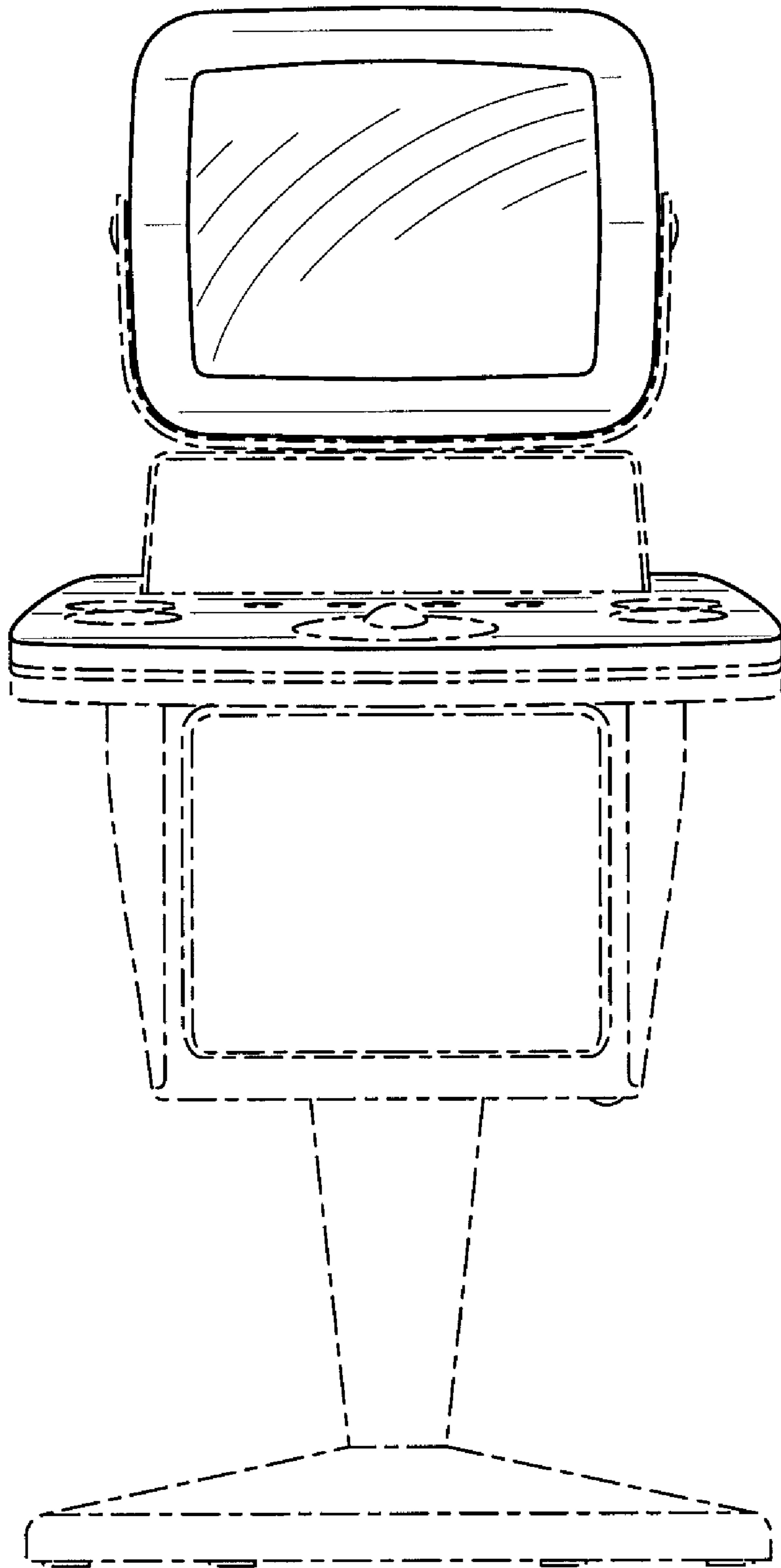


FIG. 2

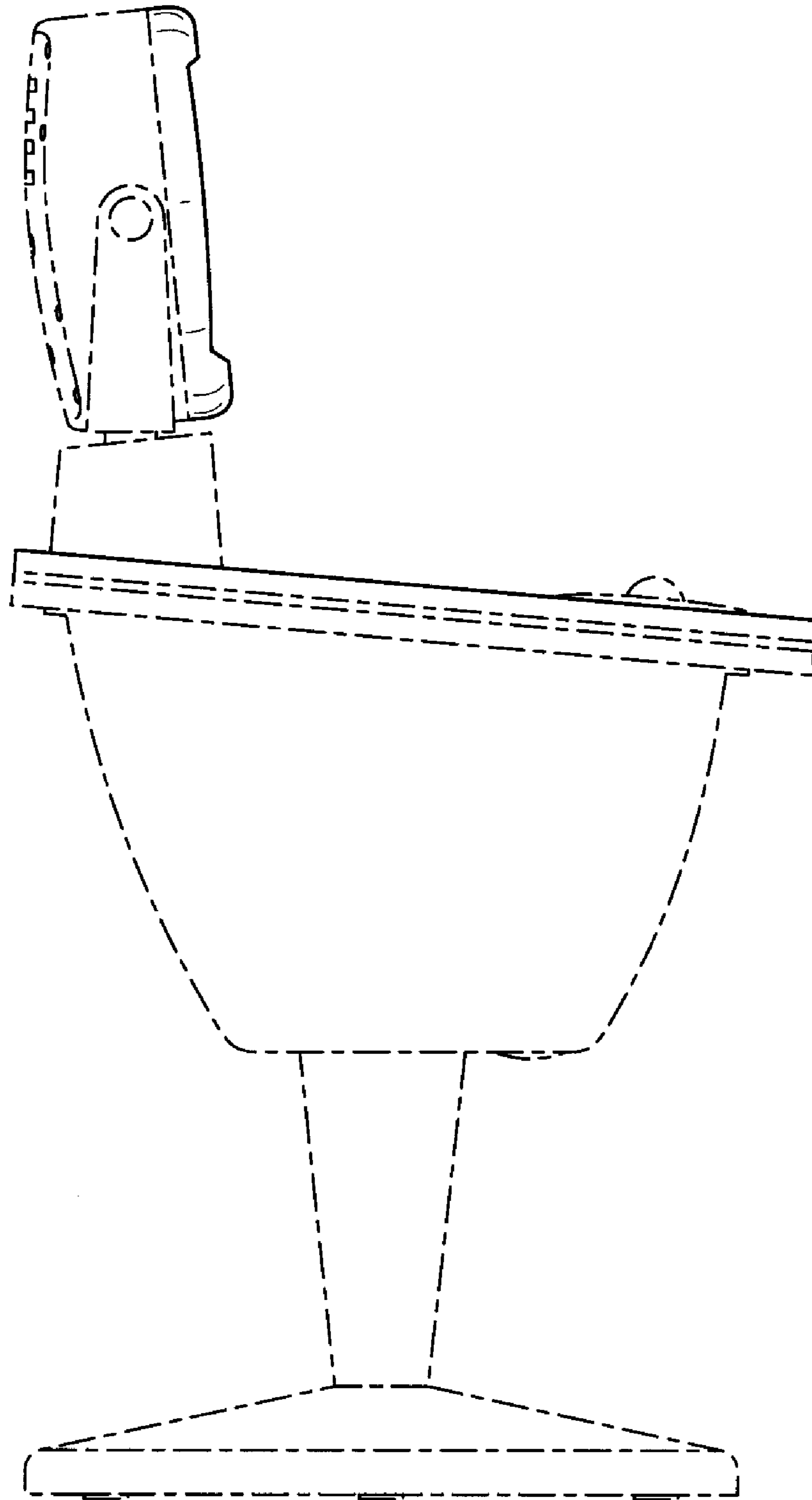


FIG. 3

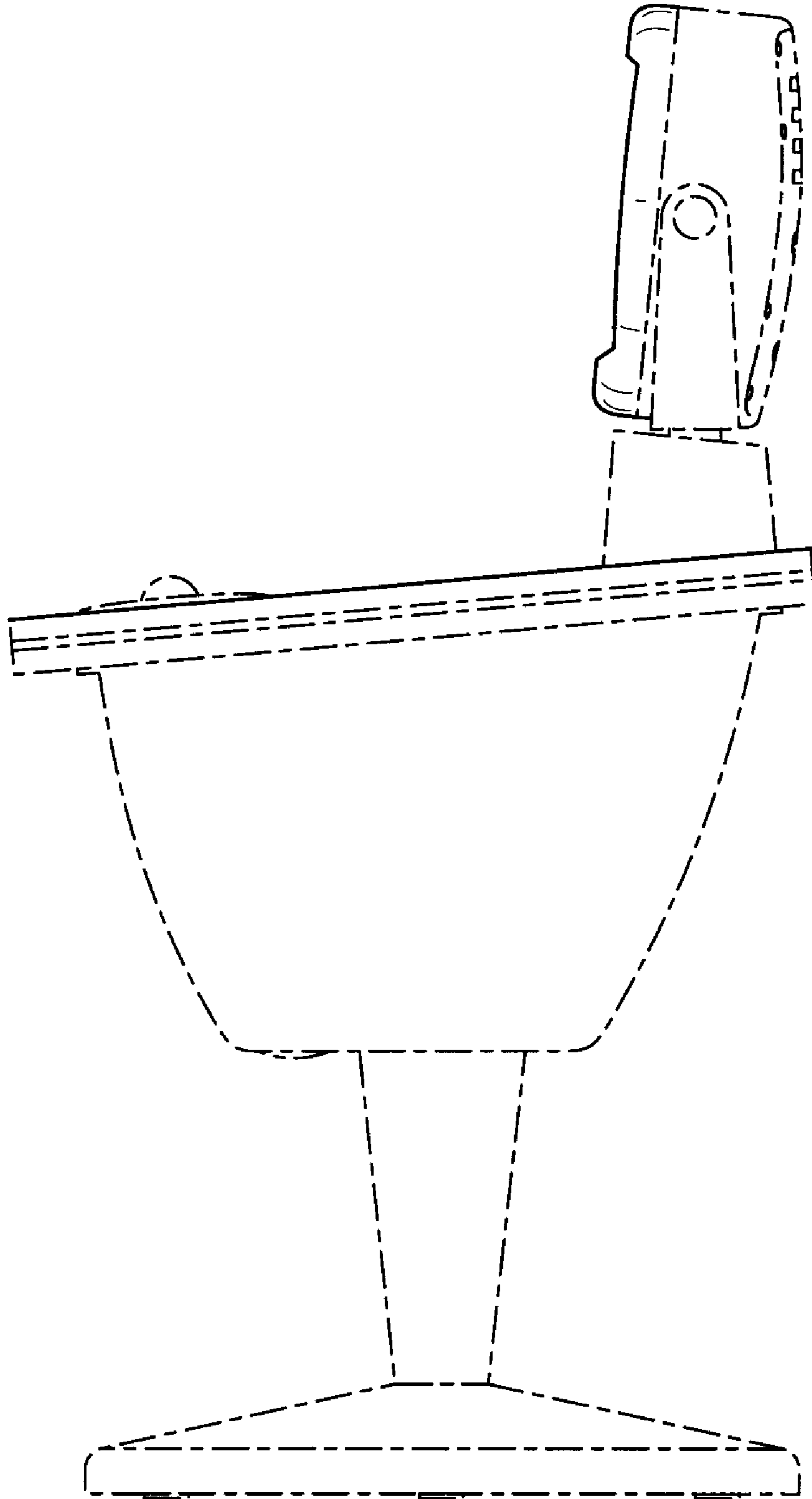


FIG. 4

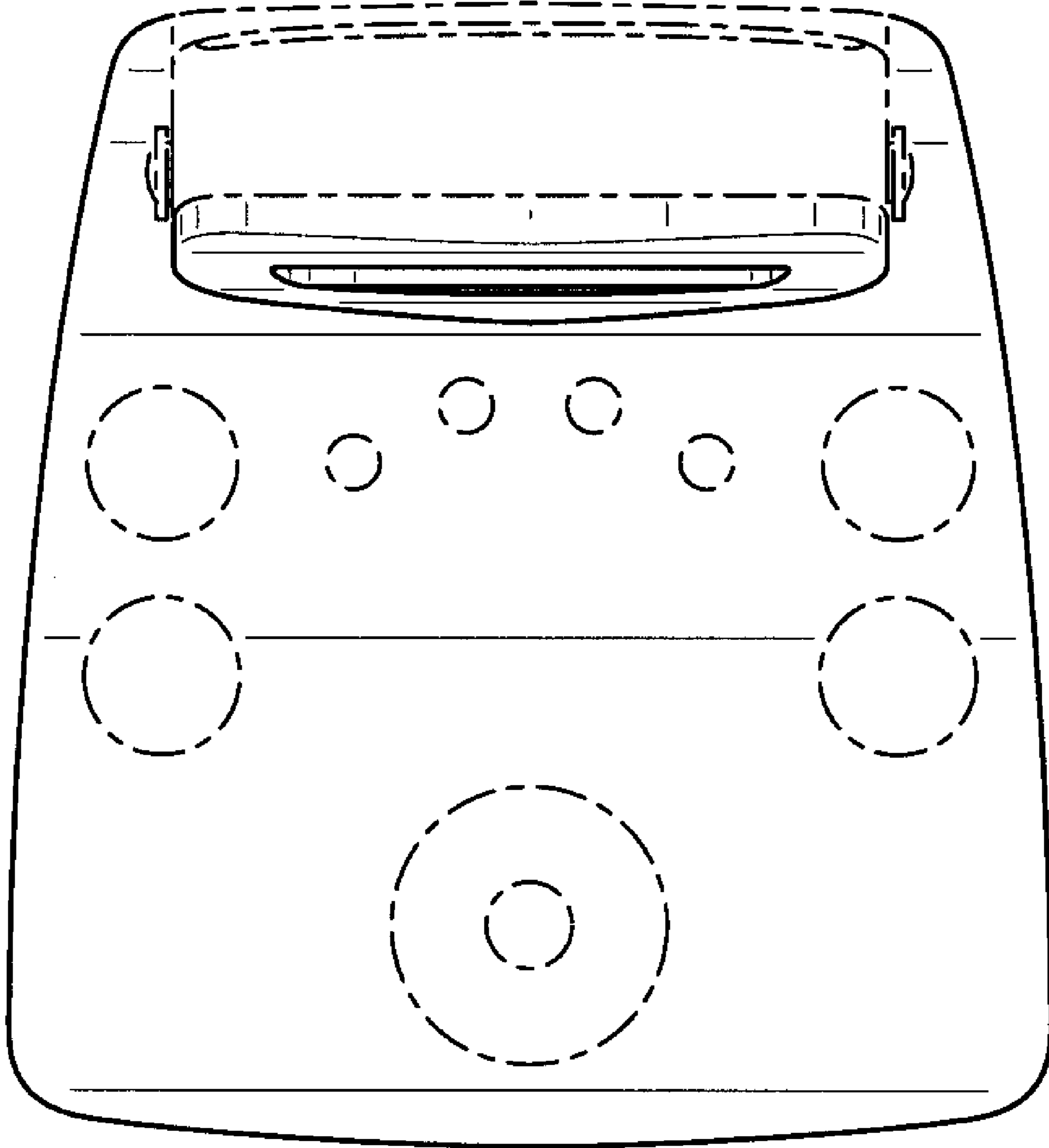


FIG. 5