



US00D566192S

(12) **United States Design Patent**
Bhavnani

(10) **Patent No.:** **US D566,192 S**

(45) **Date of Patent:** **** Apr. 8, 2008**

(54) **NOTEPAD HOLDER**

(75) **Inventor:** **Dilip Bhavnani**, Beverly Hills, CA
(US)

(73) **Assignee:** **Sun Coast Merchandise Corporation**,
Commerece, CA (US)

(**) **Term:** **14 Years**

(21) **Appl. No.:** **29/250,373**

(22) **Filed:** **Nov. 10, 2006**

(51) **LOC (8) Cl.** **19-02**

(52) **U.S. Cl.** **D19/92**

(58) **Field of Classification Search** D3/203.3,
D3/273, 294, 295; D6/407, 626, 629, 631,
D6/632, 634; D9/420, 423, 432, 456, 737,
D9/740, 741, 747, 749, 756, 759; D19/26,
D19/27, 32, 77, 78, 75, 76, 86, 90, 91, 92,
D19/98, 100, 65; 206/387.1, 387.13, 424;
211/10, 11, 45; 229/67.1, 125.35, 163
See application file for complete search history.

(56) **References Cited**

U.S. PATENT DOCUMENTS

189,038	A *	4/1877	Heath	206/216
209,417	A *	10/1878	O'Bryon	206/215
230,298	A *	7/1880	Lovell	206/425
925,349	A *	6/1909	Kraetsch	229/120.02
1,575,696	A *	3/1926	La Selle	206/449
D103,668	S *	3/1937	Case	D9/420
D158,362	S *	5/1950	Dischler	D9/431
D163,463	S *	5/1951	Lewis	D19/92
2,606,653	A *	8/1952	Knudson	206/215
3,232,397	A *	2/1966	McCoy	190/110
3,335,847	A *	8/1967	Murphy et al.	206/574
4,428,481	A *	1/1984	Basili	206/387.13
4,449,628	A *	5/1984	Egly et al.	206/752

D283,949	S *	5/1986	Kitada	D6/635
4,635,797	A *	1/1987	Bankier	206/472
4,655,342	A *	4/1987	Brauner et al.	206/753
4,768,298	A *	9/1988	Polhemus et al.	40/358
D298,085	S *	10/1988	Egly	D6/634
D303,398	S *	9/1989	Lowinger	D19/78
D306,182	S *	2/1990	Ukisu	D3/271.1

(Continued)

OTHER PUBLICATIONS

U.S. Appl. No. 29/250,374, Dilip Bhavnani.

Primary Examiner—Elizabeth A. Albert
Assistant Examiner—Karen E Eldridge Powers
(74) *Attorney, Agent, or Firm*—The Soni Law Firm

(57) **CLAIM**

The ornamental design for a notepad holder, as shown and described.

DESCRIPTION

FIG. 1 is a front bottom perspective view of a notepad holder, showing my new design;

FIG. 2 is a bottom plan view thereof;

FIG. 3 is a right side view thereof which is a mirror image of the left side thereof;

FIG. 4 is a front elevational view thereof;

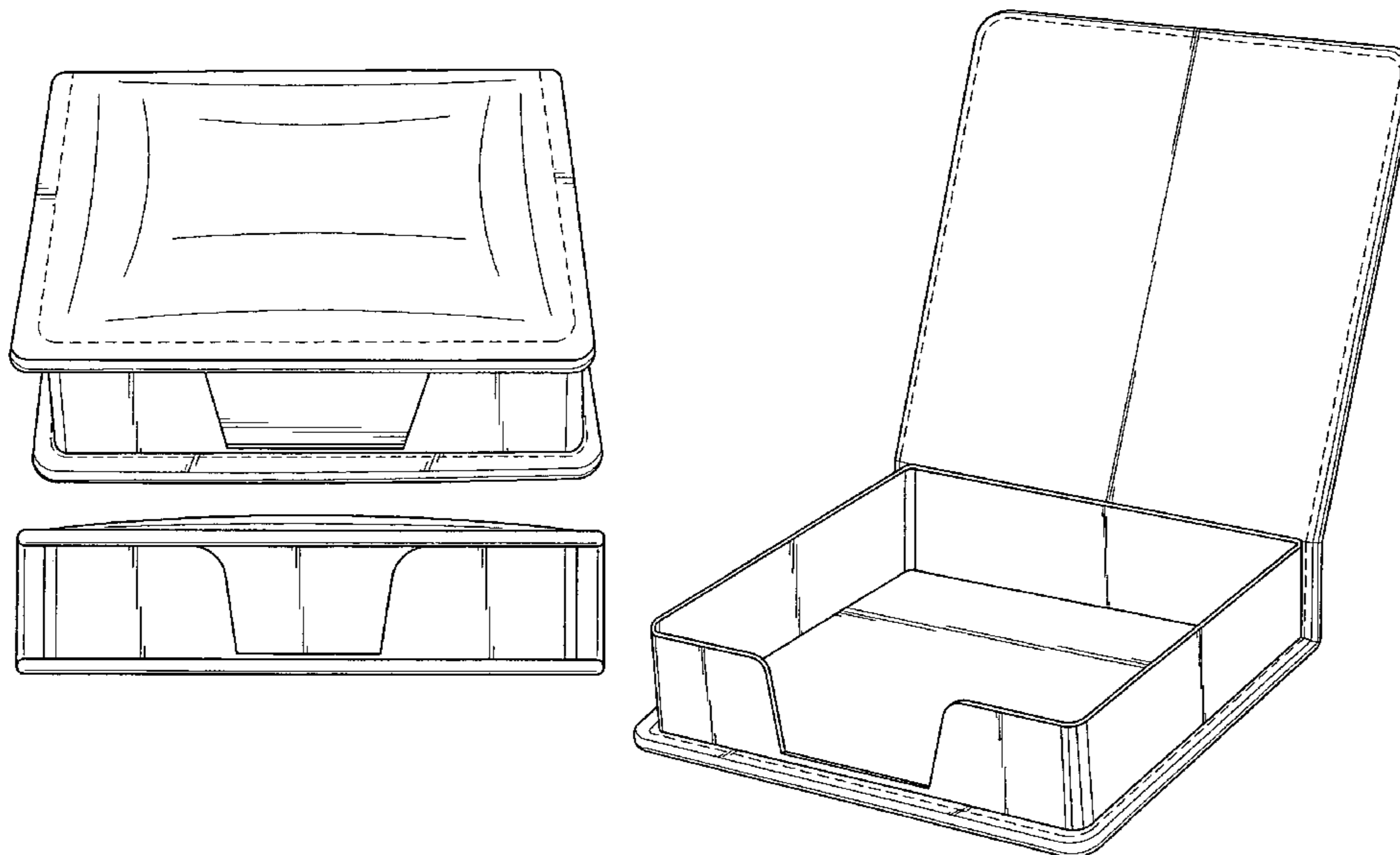
FIG. 5 is a back elevational view thereof;

FIG. 6 is a top planar view thereof; and,

FIG. 7 is a front side bottom perspective view thereof, with the top opened.

The broken line that follows the edge of the notepad holder in FIGS. 1, and FIGS. 4–7 represents stitching, and is a part of the claimed design.

1 Claim, 3 Drawing Sheets



US D566,192 S

Page 2

U.S. PATENT DOCUMENTS

4,964,518	A *	10/1990	Wilson	211/50	D428,755	S *	8/2000	Bergh	D6/631
5,271,497	A *	12/1993	Blackman et al.	206/232	D472,807	S *	4/2003	Saunders	D9/428
D351,080	S *	10/1994	Sykes et al.	D6/629	D501,033	S *	1/2005	Jour	D19/78
D369,239	S *	4/1996	Deutch	D3/247	D501,113	S *	1/2005	Bergh	D6/631
D388,457	S *	12/1997	Wagner	D19/26	D514,810	S *	2/2006	Armato	D3/294
5,899,327	A *	5/1999	Sykes	206/307.1	D514,861	S *	2/2006	Mundy et al.	D6/632
5,915,548	A *	6/1999	Sasaki	206/307.1	7,036,665	B1 *	5/2006	Gyr	206/472
D417,843	S *	12/1999	Srinual	D9/423	D542,841	S *	5/2007	King et al.	D19/22
D426,100	S *	6/2000	Roach	D6/632	7,293,650	B2 *	11/2007	Ishikawa	206/387.13

* cited by examiner

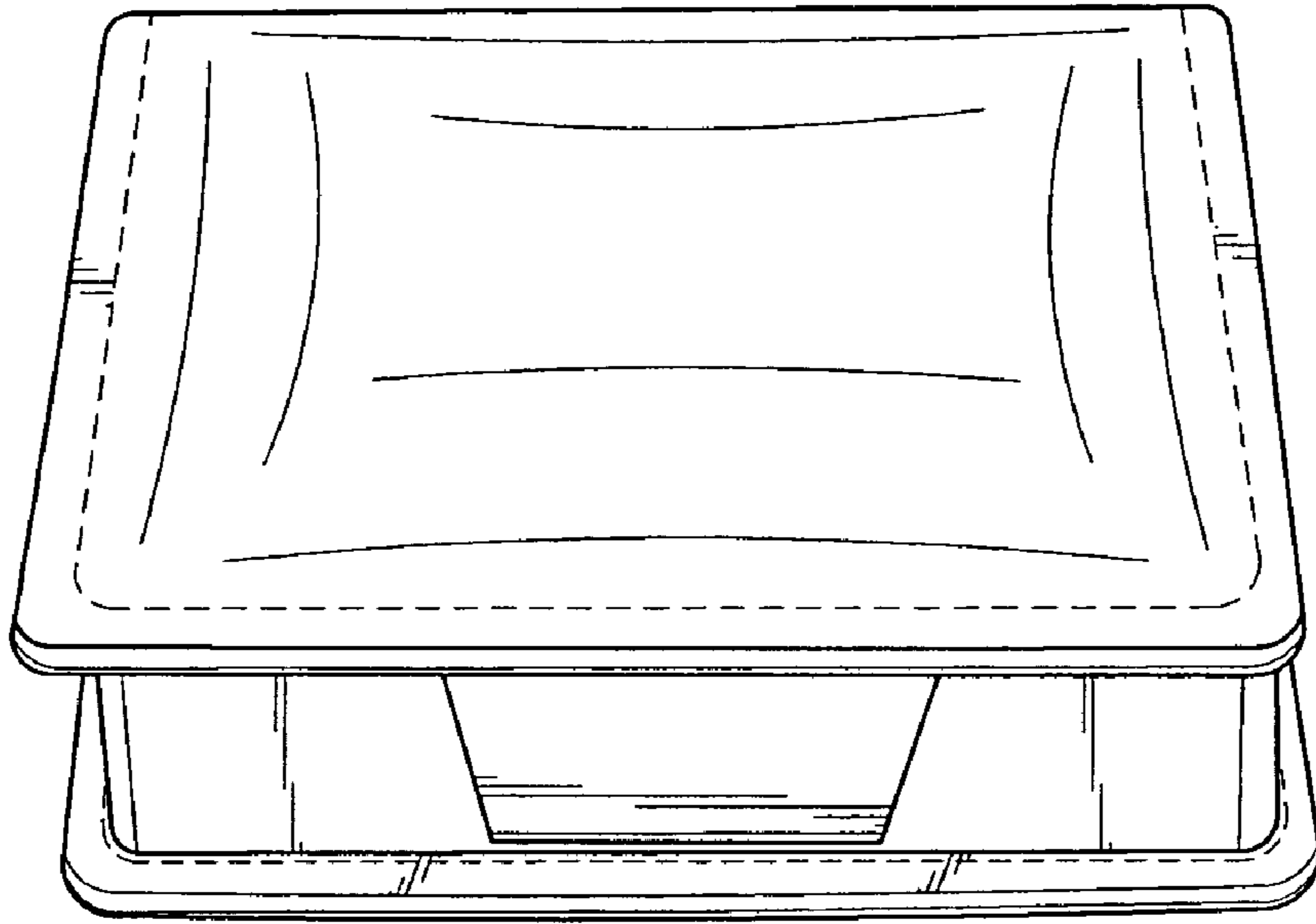


FIG. 1

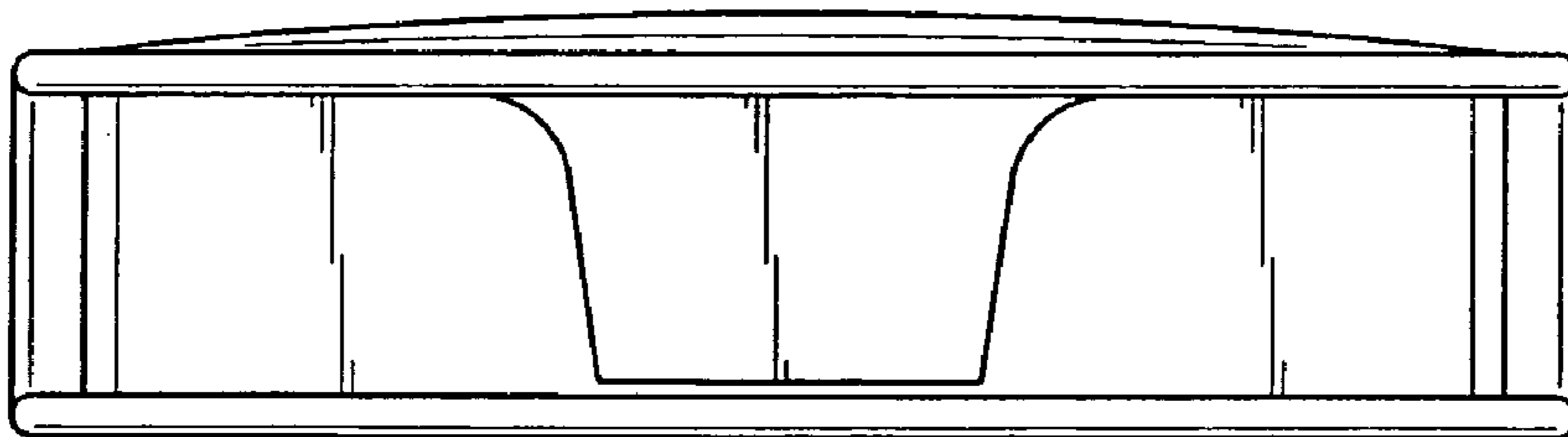


FIG. 2

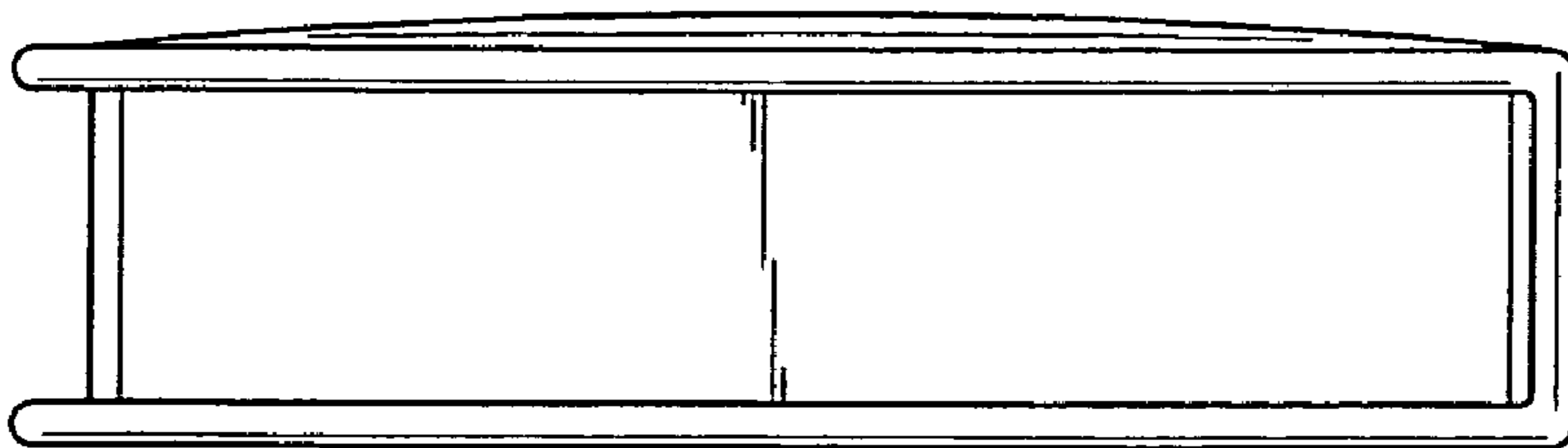


FIG. 3

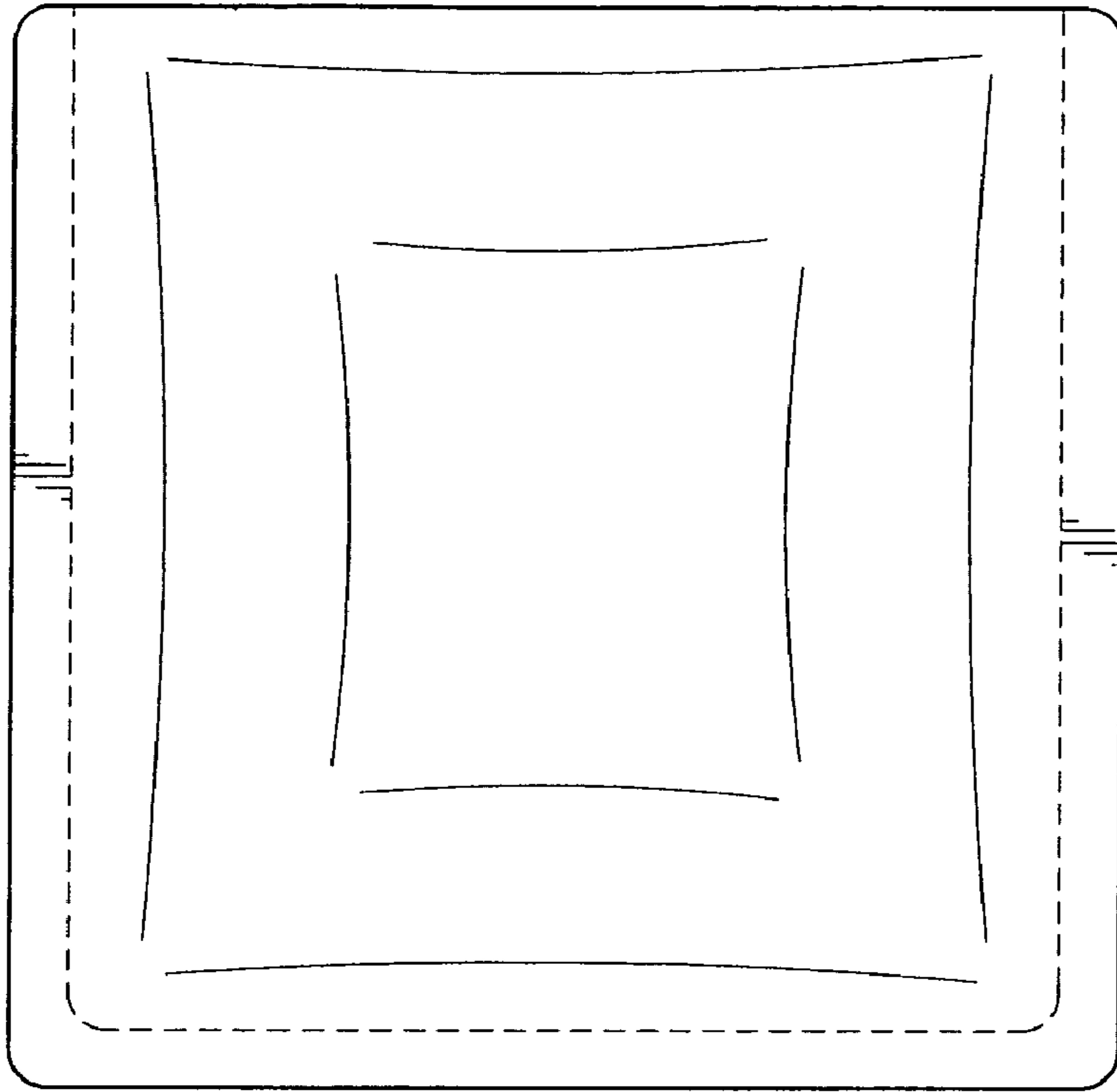


FIG. 4

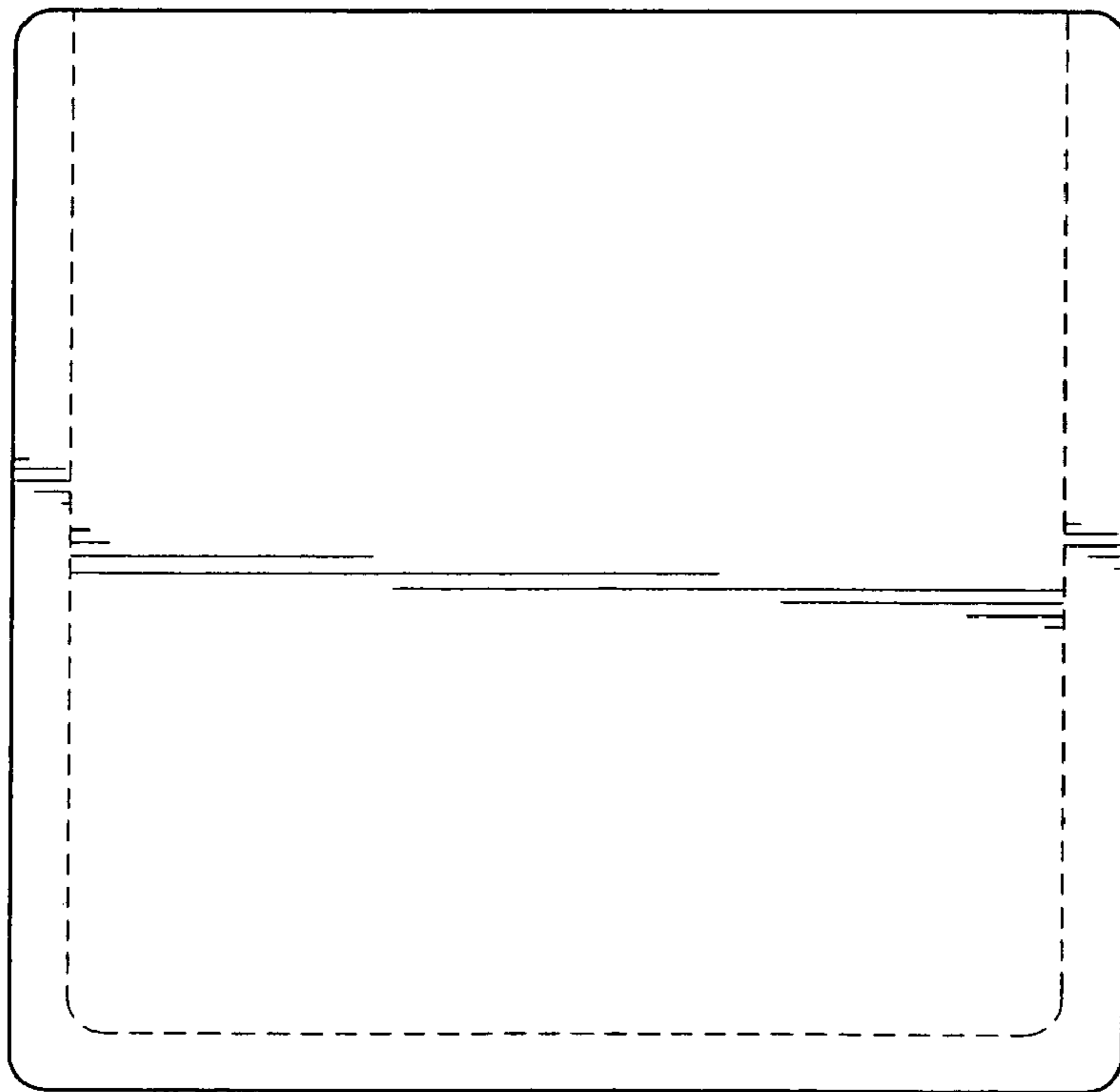


FIG. 5

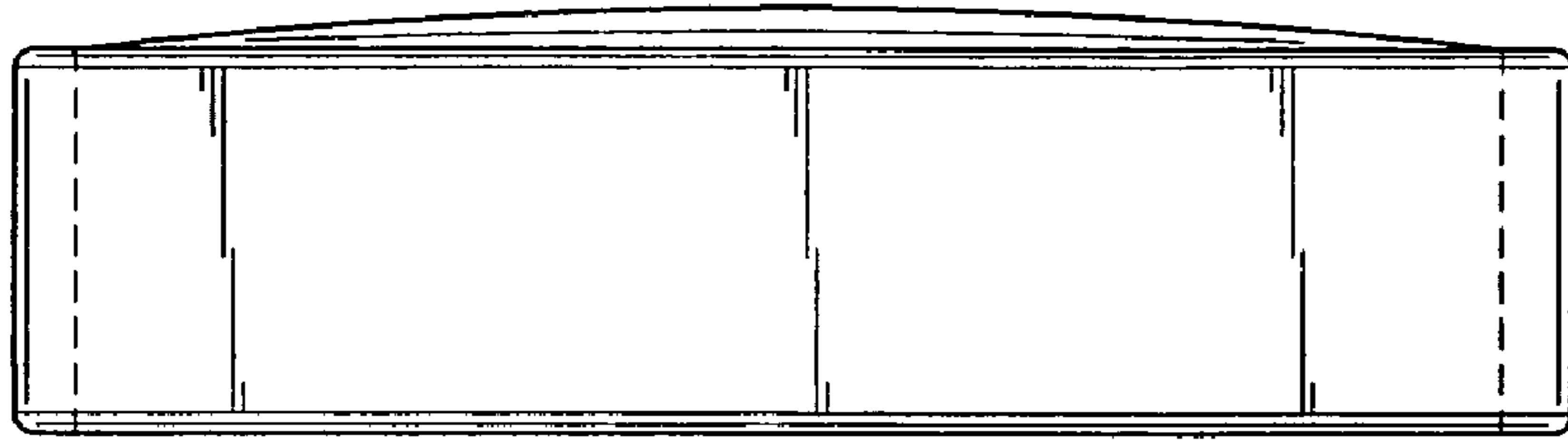


FIG. 6

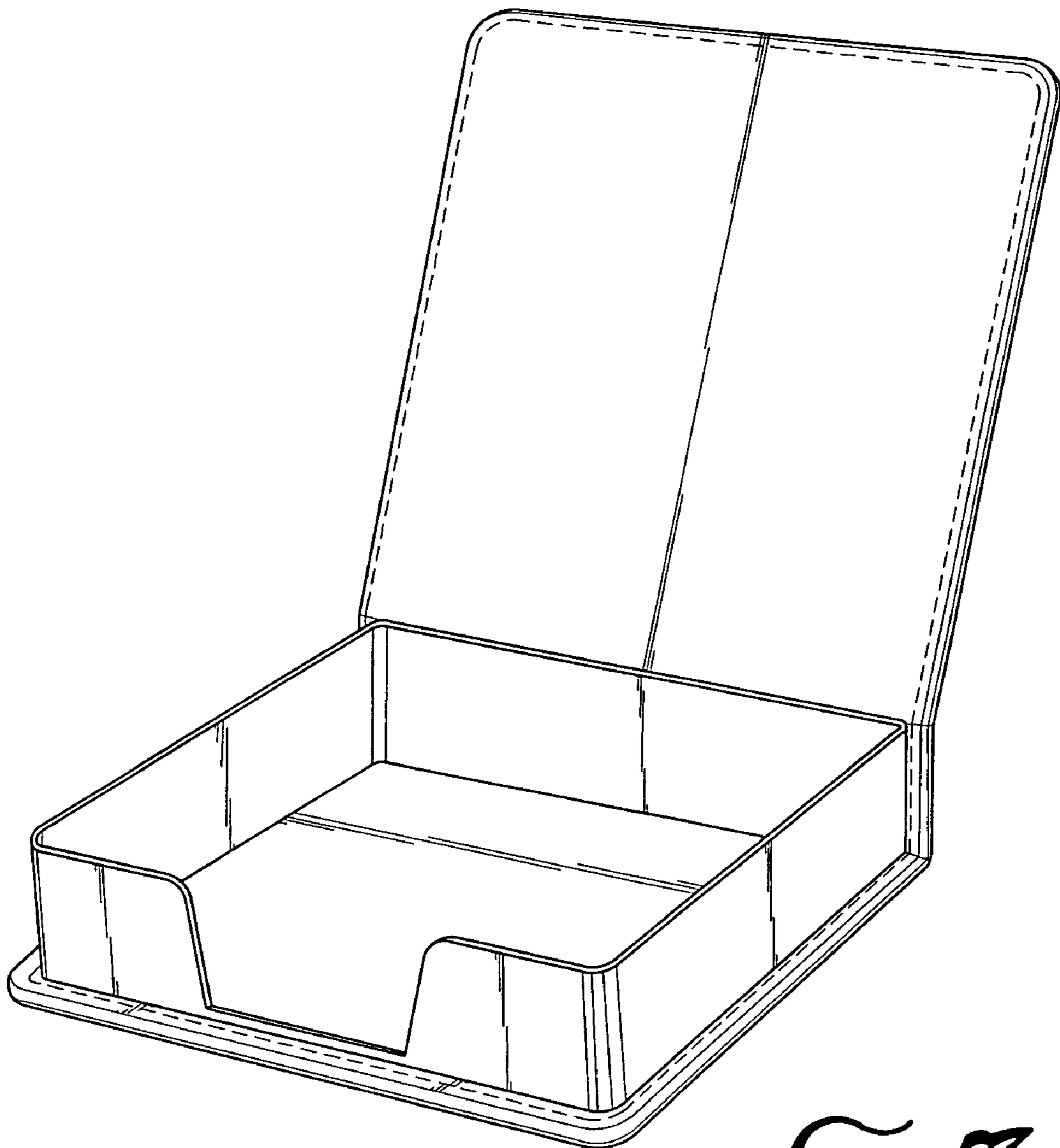


FIG. 7