

US00D566191S

(12) **United States Design Patent**
Boyette

(10) **Patent No.:** **US D566,191 S**

(45) **Date of Patent:** **** Apr. 8, 2008**

(54) **MULTIPLE BUSINESS CARD HOLDER**

(75) Inventor: **Mary Beth Boyette**, 174 E. Deer Track Dr., Wetumpka, AL (US) 36093

(73) Assignee: **Mary Beth Boyette**, Wetumpka, AL (US)

(**) Term: **14 Years**

(21) Appl. No.: **29/259,083**

(22) Filed: **May 2, 2006**

(51) **LOC (8) Cl.** **19-02**

(52) **U.S. Cl.** **D19/91**

(58) **Field of Classification Search** D6/476, D6/467, 513, 567, 569, 571; D19/65, 70, D19/71, 72, 73, 74, 75, 76, 77, 78, 79, 86, D19/90, 91, 92, 95, 99, 100, 22; D7/631, D7/632; D28/61; 40/124, 124.2, 120; 206/214, 206/215, 555, 557, 730, 733, 734, 735, 736, 206/737, 738, 739, 741, 745; 211/10, 11, 211/13, 13.1, 50, 72

See application file for complete search history.

(56) **References Cited**

U.S. PATENT DOCUMENTS

D31,853	S	*	11/1899	Coles	D19/22
720,345	A	*	2/1903	Hazeltine	229/108
925,349	A	*	6/1909	Kraetsch	229/120.02
1,187,484	A	*	6/1916	Bates	40/120
1,614,701	A	*	1/1927	Webster	211/130.1
1,824,683	A	*	9/1931	Peterson	312/118
1,911,995	A	*	5/1933	Gaffney	206/745
D135,871	S	*	6/1943	Ferrier	D6/553
D161,840	S	*	2/1951	Hopp	D19/25
2,542,647	A	*	2/1951	Flanagan	40/120
D190,178	S	*	4/1961	Goodyear	D6/570
D194,860	S	*	3/1963	Downs	D19/99
3,236,371	A	*	2/1966	Regis, Jr. et al.	206/555
D232,887	S	*	9/1974	Funahasi	D6/571
3,908,215	A	*	9/1975	Watson	412/9
D248,806	S	*	8/1978	Bridges	D6/569
4,134,521	A	*	1/1979	Pecht	221/213

D251,401	S	*	3/1979	Brentini	D6/467
4,384,647	A	*	5/1983	Schweizer	206/371
4,412,618	A	*	11/1983	La Conte	206/581
D290,202	S	*	6/1987	Friedman	D6/467
D307,993	S	*	5/1990	Cignarella	D6/553
D319,666	S	*	9/1991	Kheng	D19/75
D322,728	S	*	12/1991	Berman	D6/476
D324,883	S	*	3/1992	Demirjian	D19/90
D325,313	S	*	4/1992	Evenson	D6/553
D332,630	S	*	1/1993	Brussing	D19/77
5,205,638	A	*	4/1993	Squitieri	362/125
D337,617	S	*	7/1993	Hall, Jr.	D19/90
D351,048	S	*	9/1994	Gaynor	D28/61
5,493,491	A	*	2/1996	Calcerano et al.	705/28
D372,146	S	*	7/1996	Svee	D6/476
D381,362	S	*	7/1997	Meyer	D19/90
D409,245	S	*	5/1999	Wolff	D19/90
D452,276	S	*	12/2001	Hurwitz	D19/86
D454,727	S	*	3/2002	Lanham	D6/467
6,382,428	B2	*	5/2002	Hurwitz	211/50
2006/0191172	A1	*	8/2006	Bays	40/124

* cited by examiner

Primary Examiner—Elizabeth A. Albert

Assistant Examiner—Karen E Eldridge Powers

(57) **CLAIM**

The ornamental design for a multiple business card holder, as shown and described.

DESCRIPTION

The claimed multiple business card holder is used for displaying a plurality of sets of business cards within one body. Each set is displayed flat with no obstruction to the information on the front of the card contained within.

FIG. 1 is a front view of a multiple business card holder showing my new design;

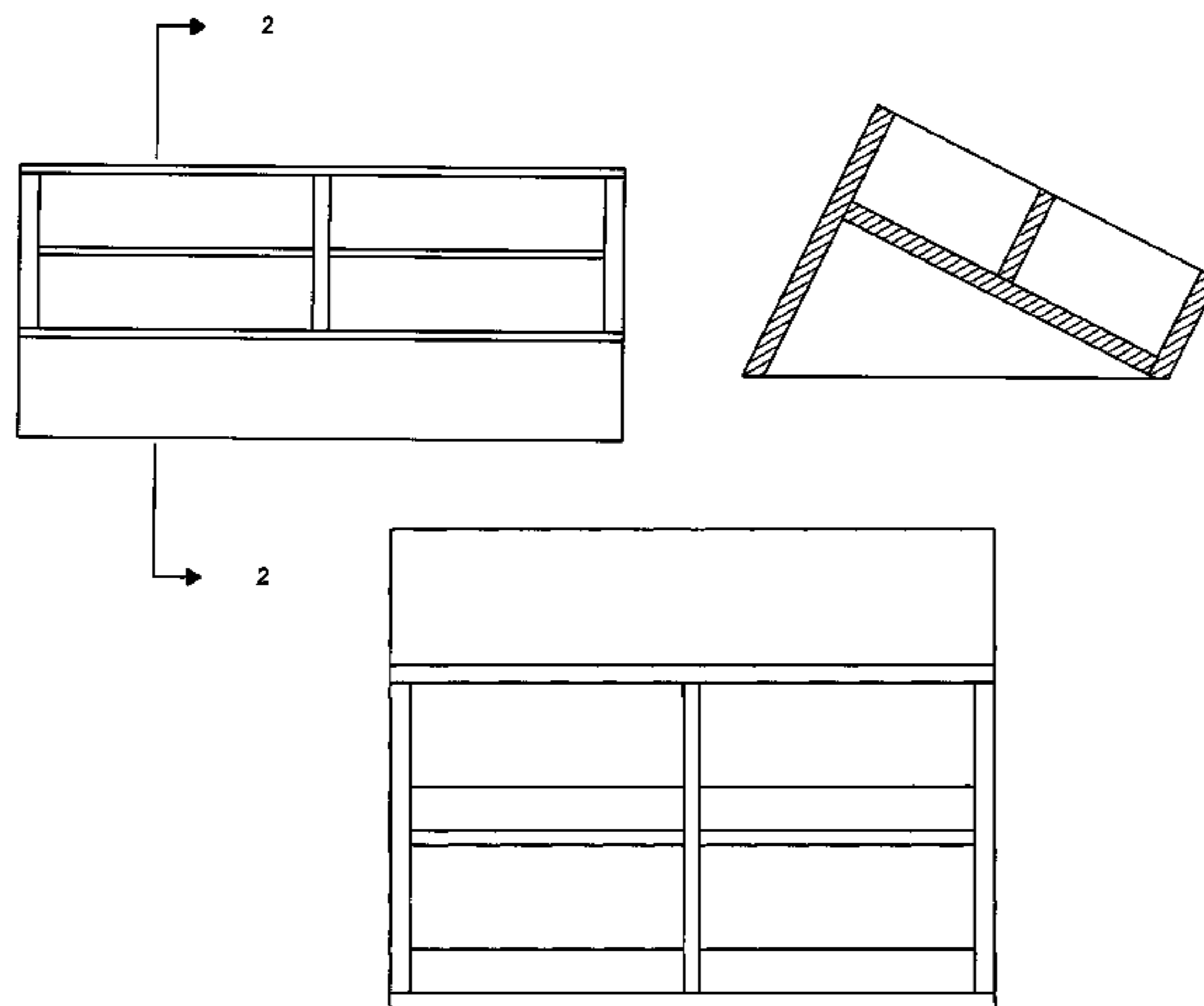
FIG. 2 is a side cross sectional view thereof;

FIG. 3 is a left side elevational view thereof;

FIG. 4 is a right side elevational view thereof, and,

FIG. 5 is a top view thereof.

1 Claim, 5 Drawing Sheets



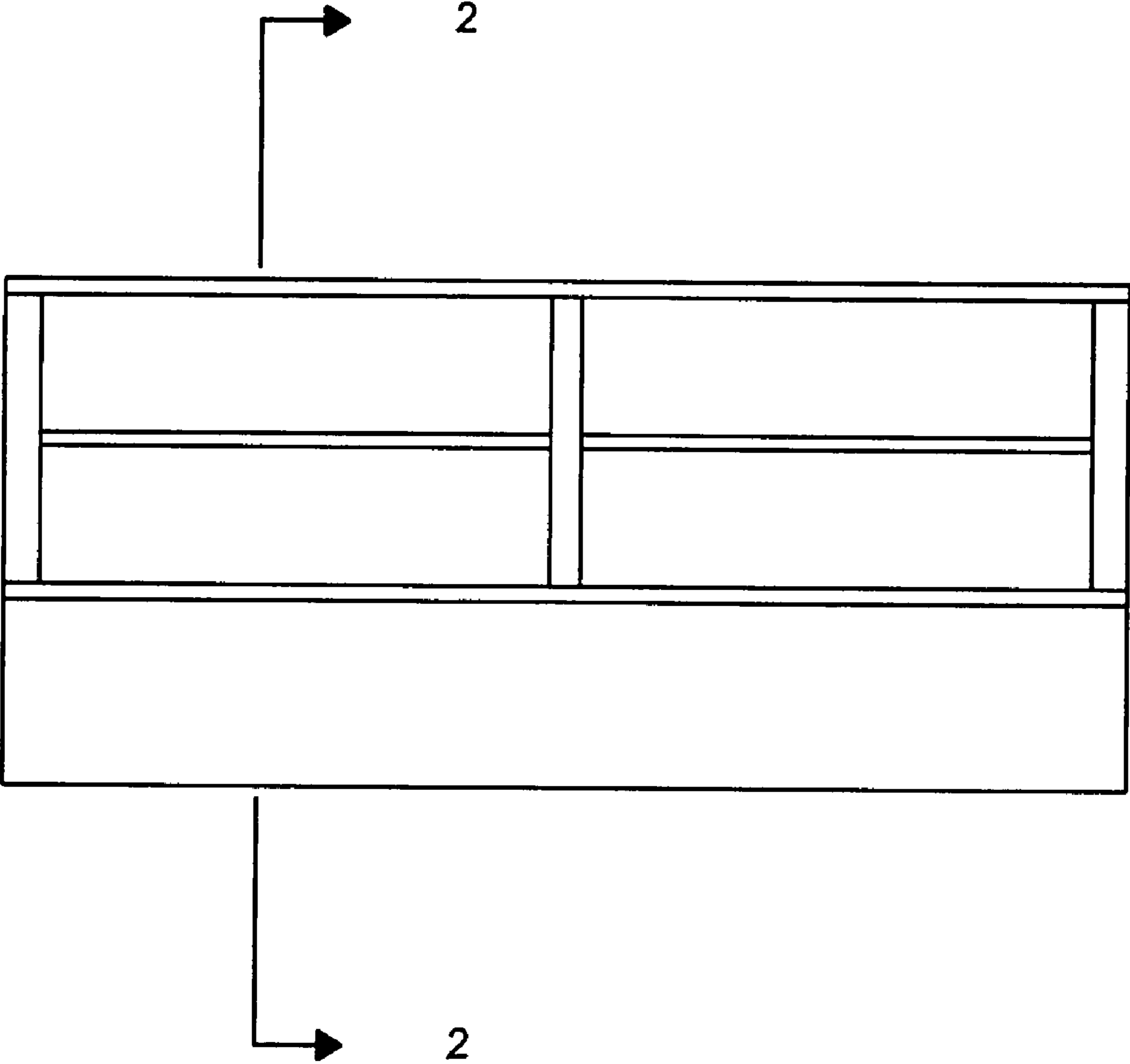


Figure 1

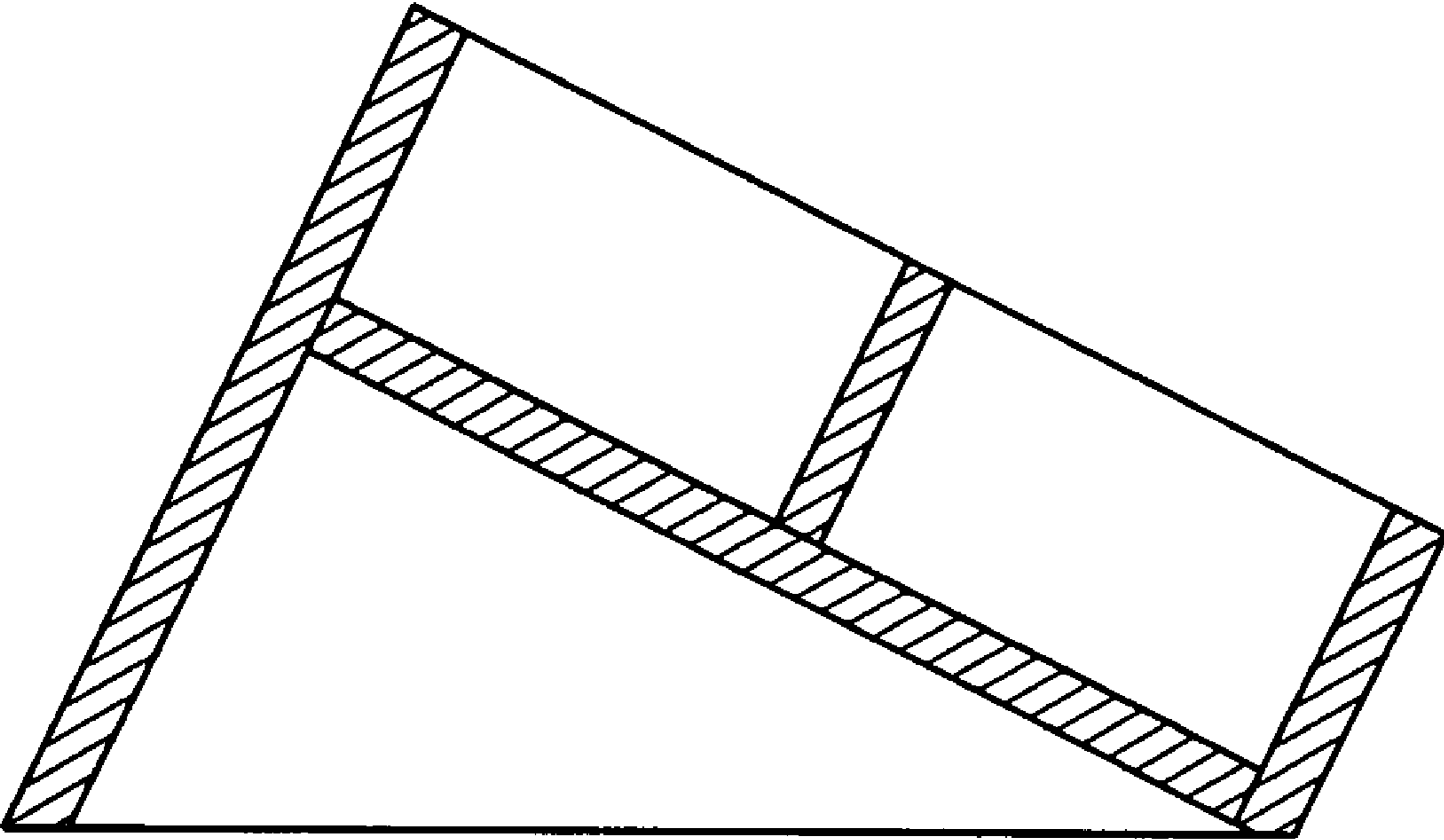


Figure 2

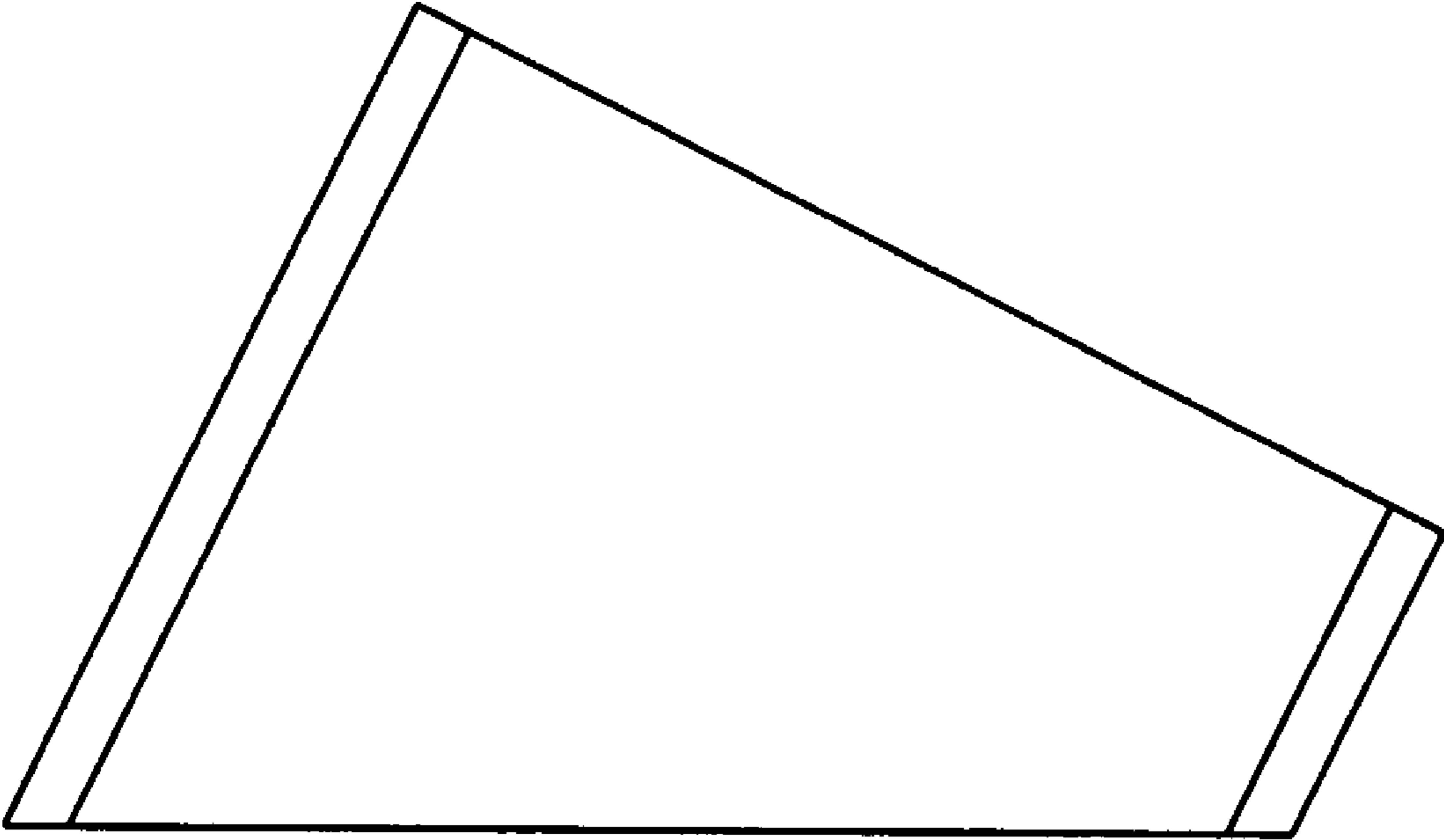


Figure 3

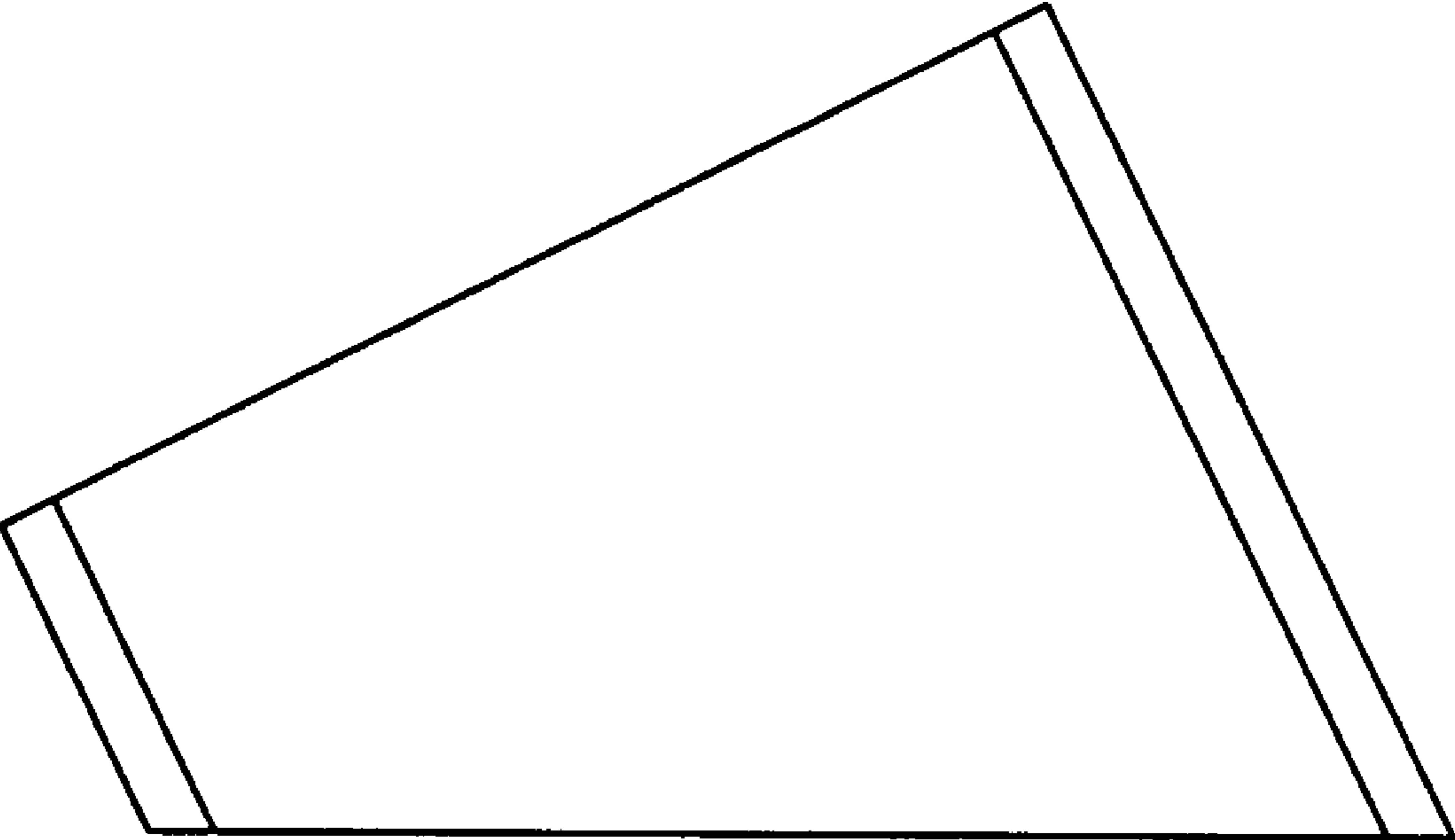


Figure 4

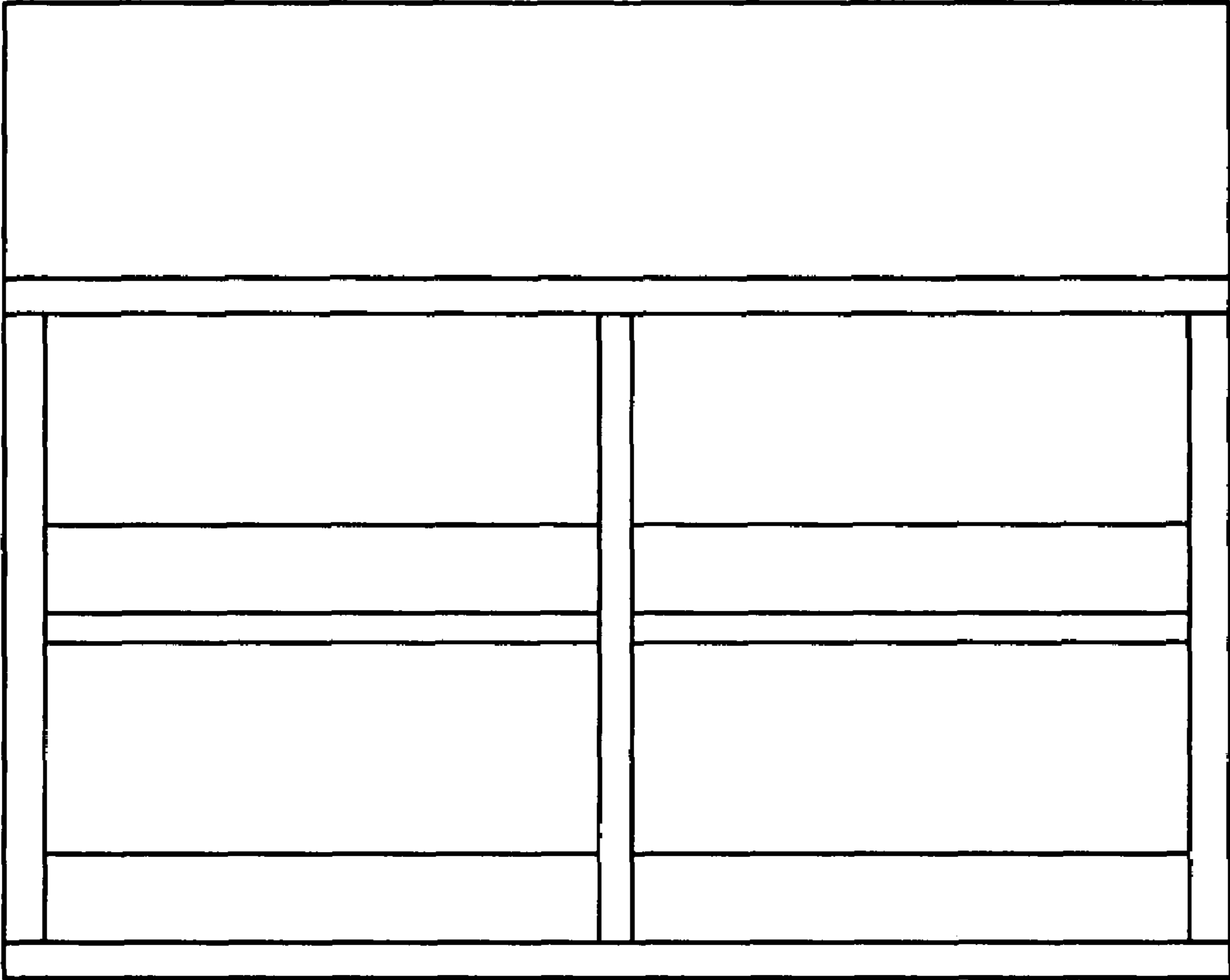


Figure 5