



US00D566190S

(12) **United States Design Patent**
Kent et al.

(10) **Patent No.:** **US D566,190 S**
(45) **Date of Patent:** **** Apr. 8, 2008**

(54) **POP UP DISPENSER**

(75) Inventors: **Michael Kent**, Cumberland, RI (US);
Frank Polidoro, Cumberland, RI (US)

(73) Assignee: **Staples The Office Superstore, LLC**,
Framingham, MA (US)

(**) Term: **14 Years**

(21) Appl. No.: **29/259,839**

(22) Filed: **May 16, 2006**

(51) **LOC (8) Cl.** **19-02**

(52) **U.S. Cl.** **D19/86**

(58) **Field of Classification Search** D6/515,
D6/518; D9/734; D19/75-92; 206/39.5,
206/215, 233; 221/45, 46, 48, 51, 52, 56,
221/59, 61, 63

See application file for complete search history.

(56) **References Cited**

U.S. PATENT DOCUMENTS

- 1,166,672 A * 1/1916 Goldsmith 221/63
- 2,464,426 A * 3/1949 Williams 221/58
- 2,953,293 A * 9/1960 Anderson 229/207
- D252,558 S 8/1979 Beck
- 5,080,254 A * 1/1992 Feer 221/33
- D327,294 S * 6/1992 Feer D19/86
- D331,073 S * 11/1992 Dotterman et al. D19/86
- D331,075 S * 11/1992 Dotterman et al. D19/86
- D332,889 S * 2/1993 Hines D6/518
- D334,212 S * 3/1993 Dotterman et al. D19/86
- D339,823 S * 9/1993 Evenson D19/75
- D342,759 S * 12/1993 Kirchhoff et al. D19/86
- D357,938 S * 5/1995 Wolff D19/86
- D358,425 S * 5/1995 Kirchhoff et al. D19/86
- D374,289 S * 10/1996 Wolff D24/229
- 5,601,187 A * 2/1997 Sheng-Wen 206/214
- D379,569 S * 6/1997 Strickland et al. D6/518
- D387,229 S * 12/1997 Cameron et al. D6/518
- D393,768 S * 4/1998 Mervar et al. D6/518
- D410,357 S * 6/1999 Tramontina D6/518

- D448,288 S 9/2001 Zettle et al.
- 6,296,331 B1 * 10/2001 Tramontina 312/34.1
- D482,221 S * 11/2003 Phelps et al. D6/518
- D482,915 S * 12/2003 Yang et al. D6/515
- 7,172,092 B2 * 2/2007 Yang et al. 221/45

FOREIGN PATENT DOCUMENTS

- JP D1182113 8/2003
- TW 239797 1/1995
- TW D107831 11/2005

OTHER PUBLICATIONS

Taiwan Intellectual Property Office, Preliminary Examination Report and Search Report, Sep. 5, 2007 (4 pages).

* cited by examiner

Primary Examiner—Elizabeth A. Albert

(74) *Attorney, Agent, or Firm*—Wolf Greenfield & Sacks

(57) **CLAIM**

The ornamental design for a pop up dispenser, as shown and described.

DESCRIPTION

FIG. 1 is a side, top, perspective view of the pop up dispenser with an opening thereon shown in phantom;

FIG. 2 is a front view thereof with feet thereon shown in phantom;

FIG. 3 is a left side view, the right side view being a mirror image thereof;

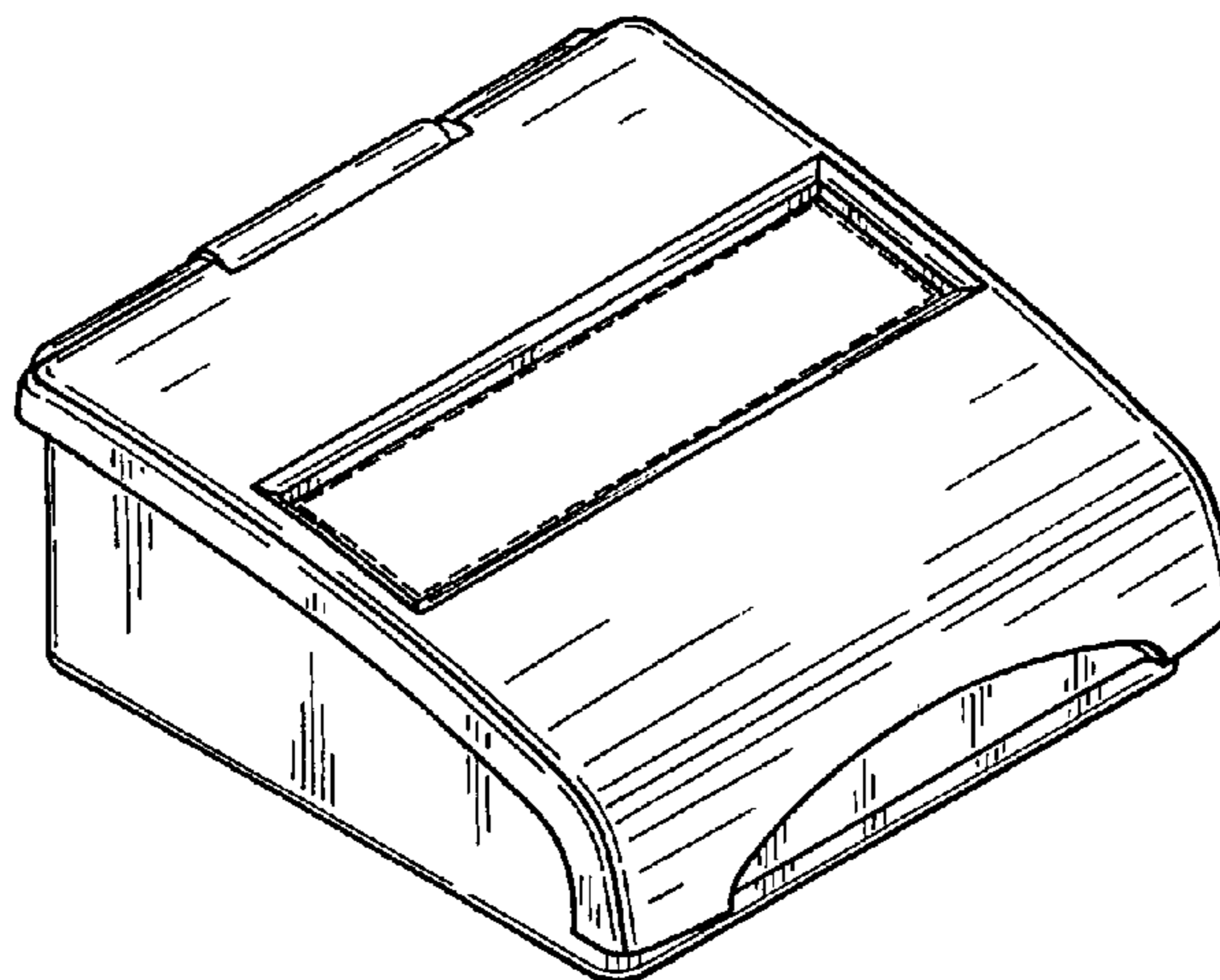
FIG. 4 is a rear view thereof;

FIG. 5 is a top view thereof; and,

FIG. 6 is a bottom view thereof.

The broken line showing of the opening on the top and feet and small side features on the bottom are included for the purpose of illustrating environment and form no part of the claimed design.

1 Claim, 2 Drawing Sheets



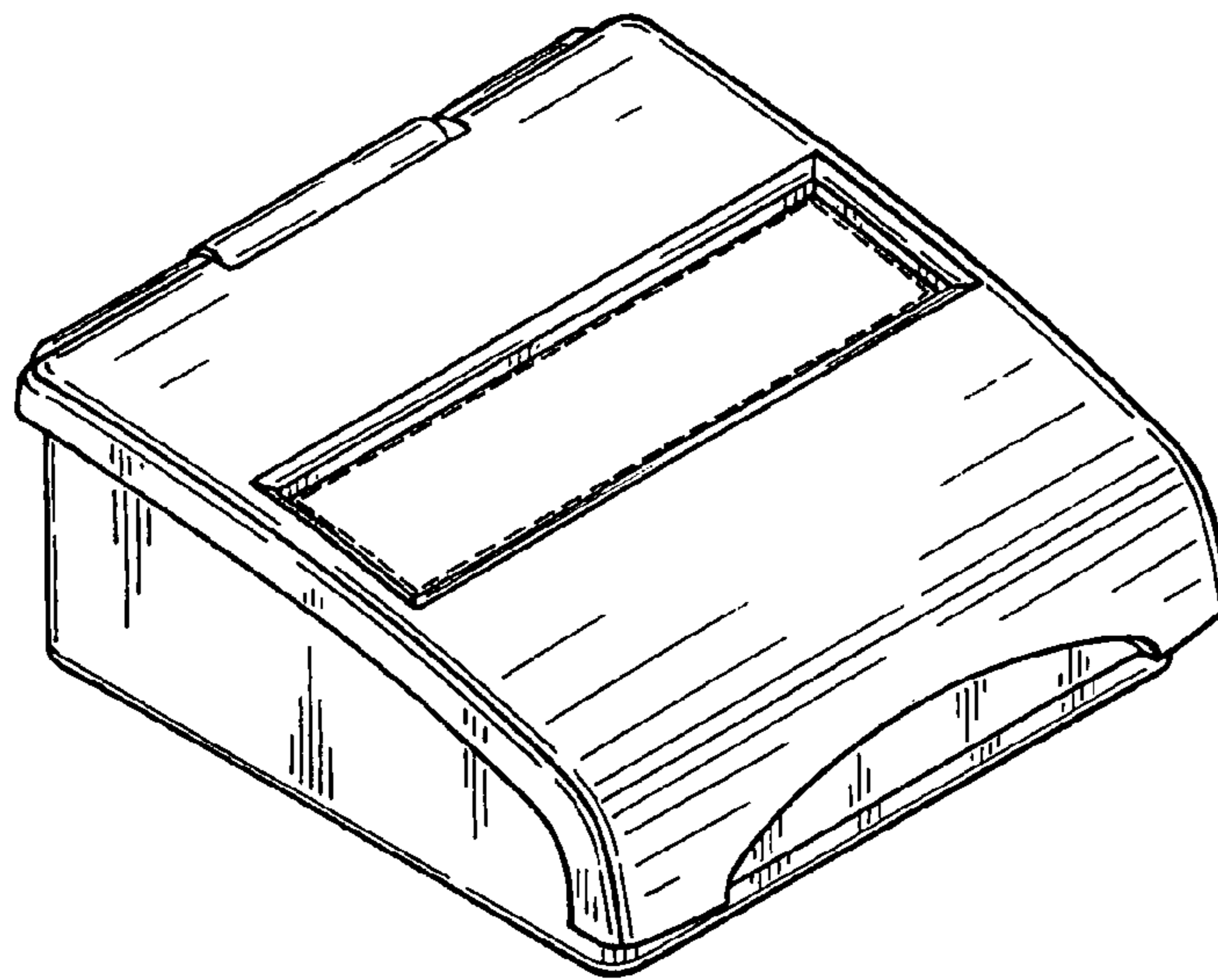


Fig. 1

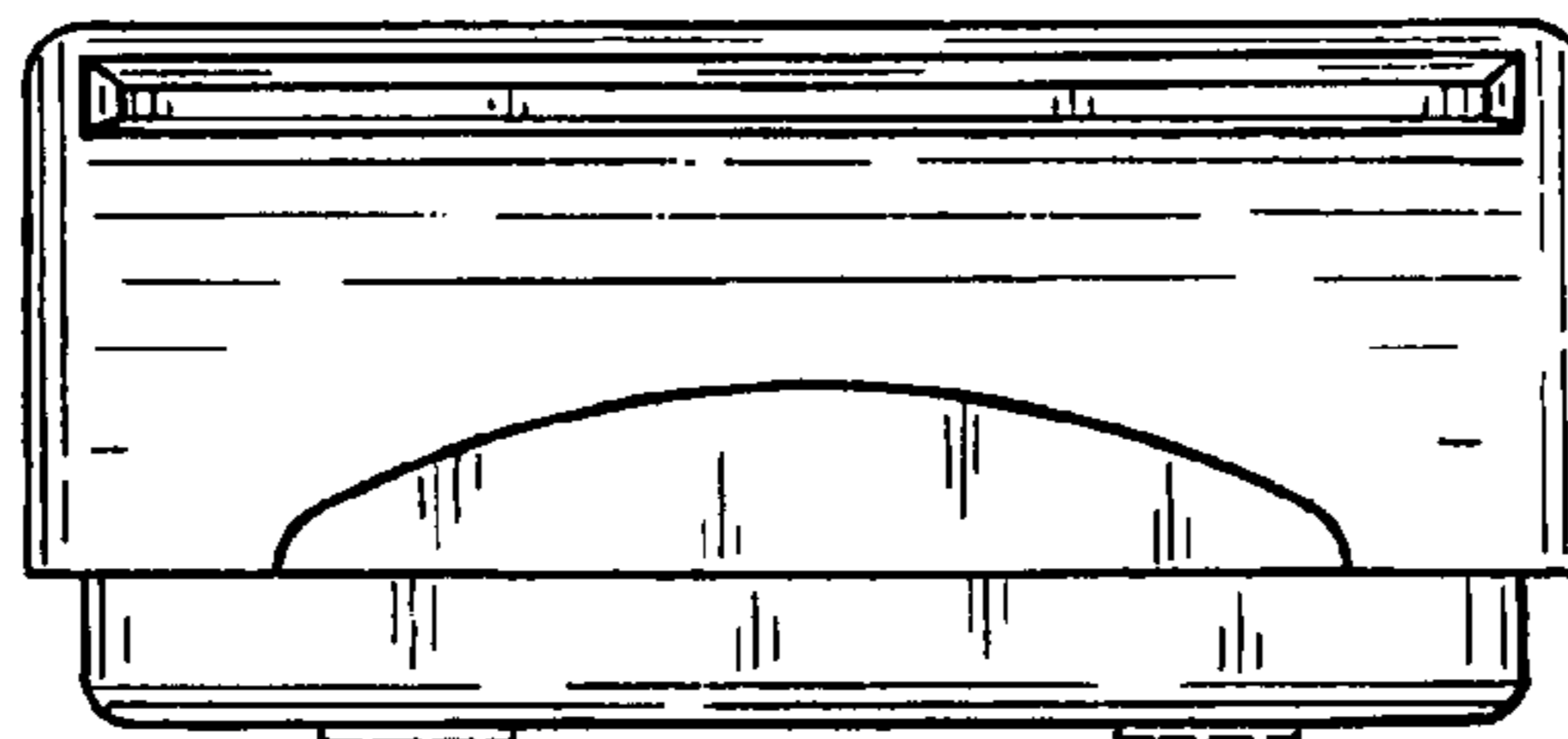


Fig. 2

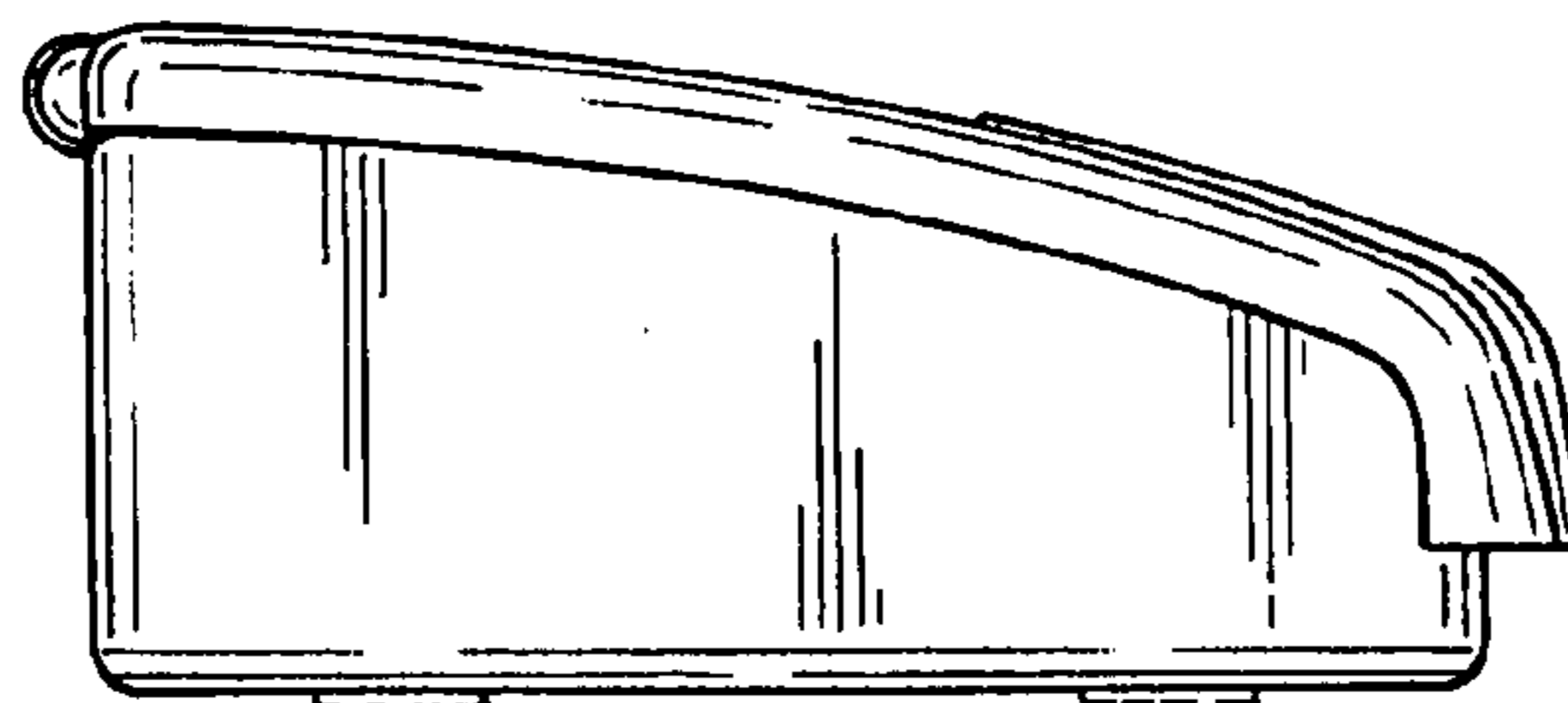


Fig. 3

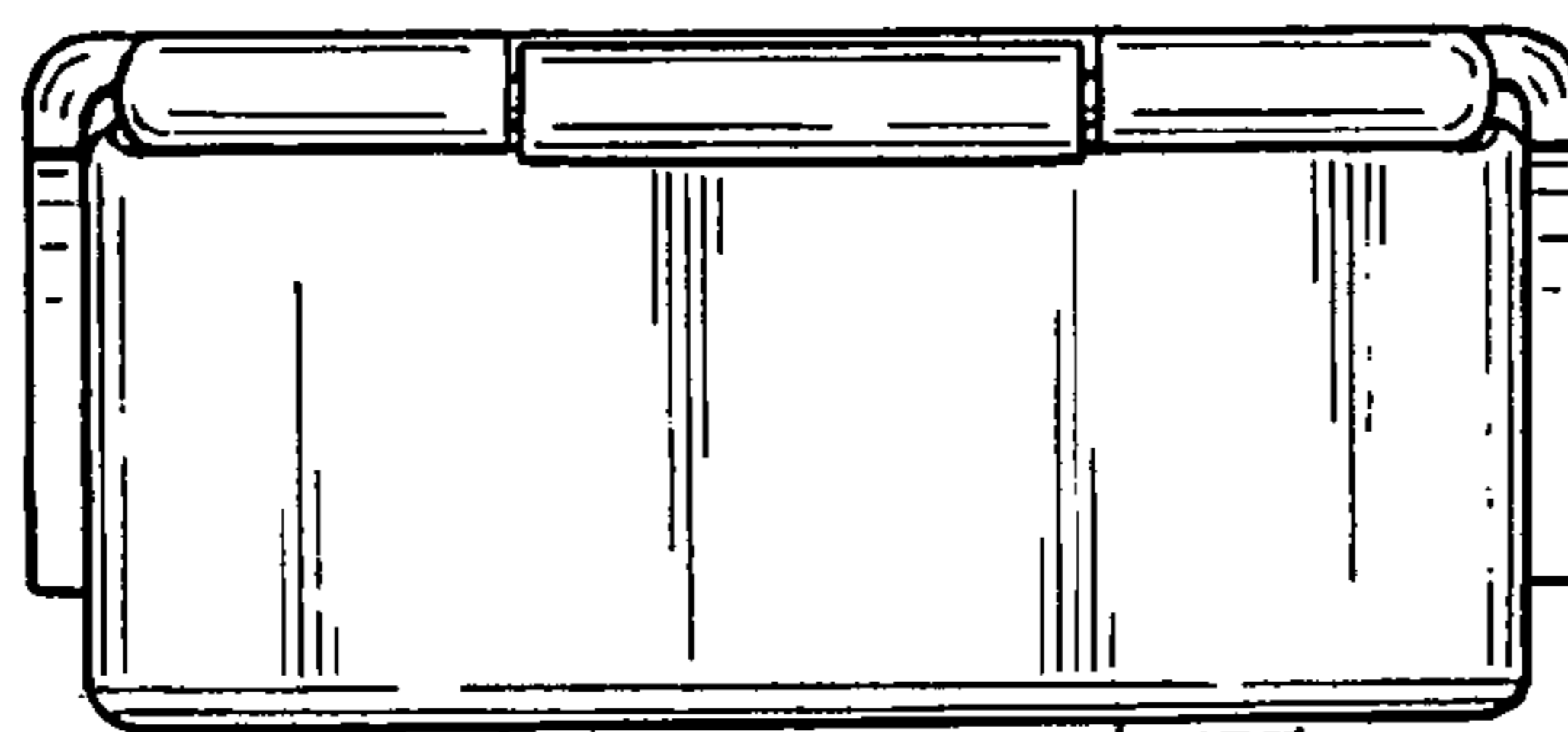


Fig. 4

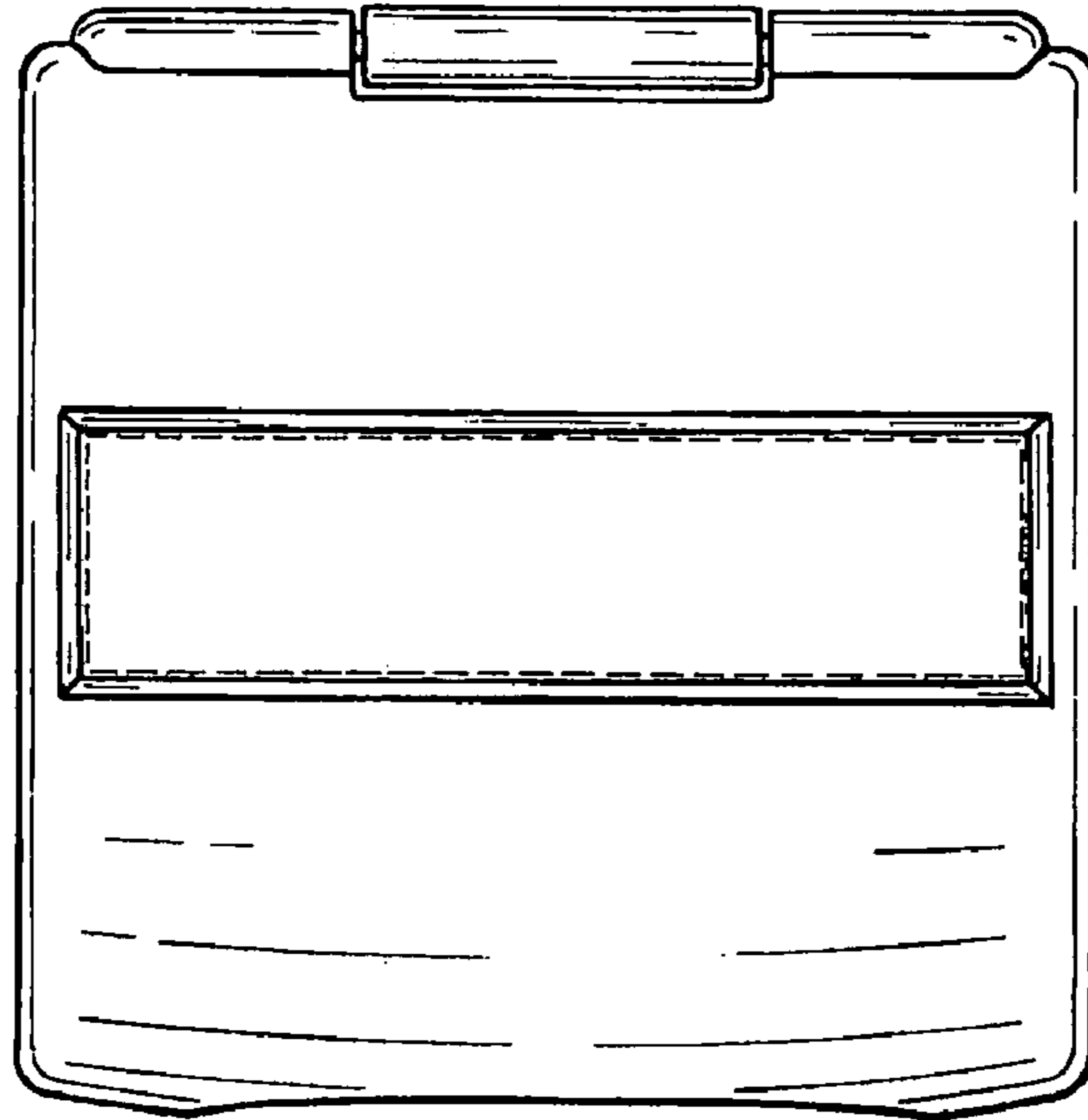


Fig. 5

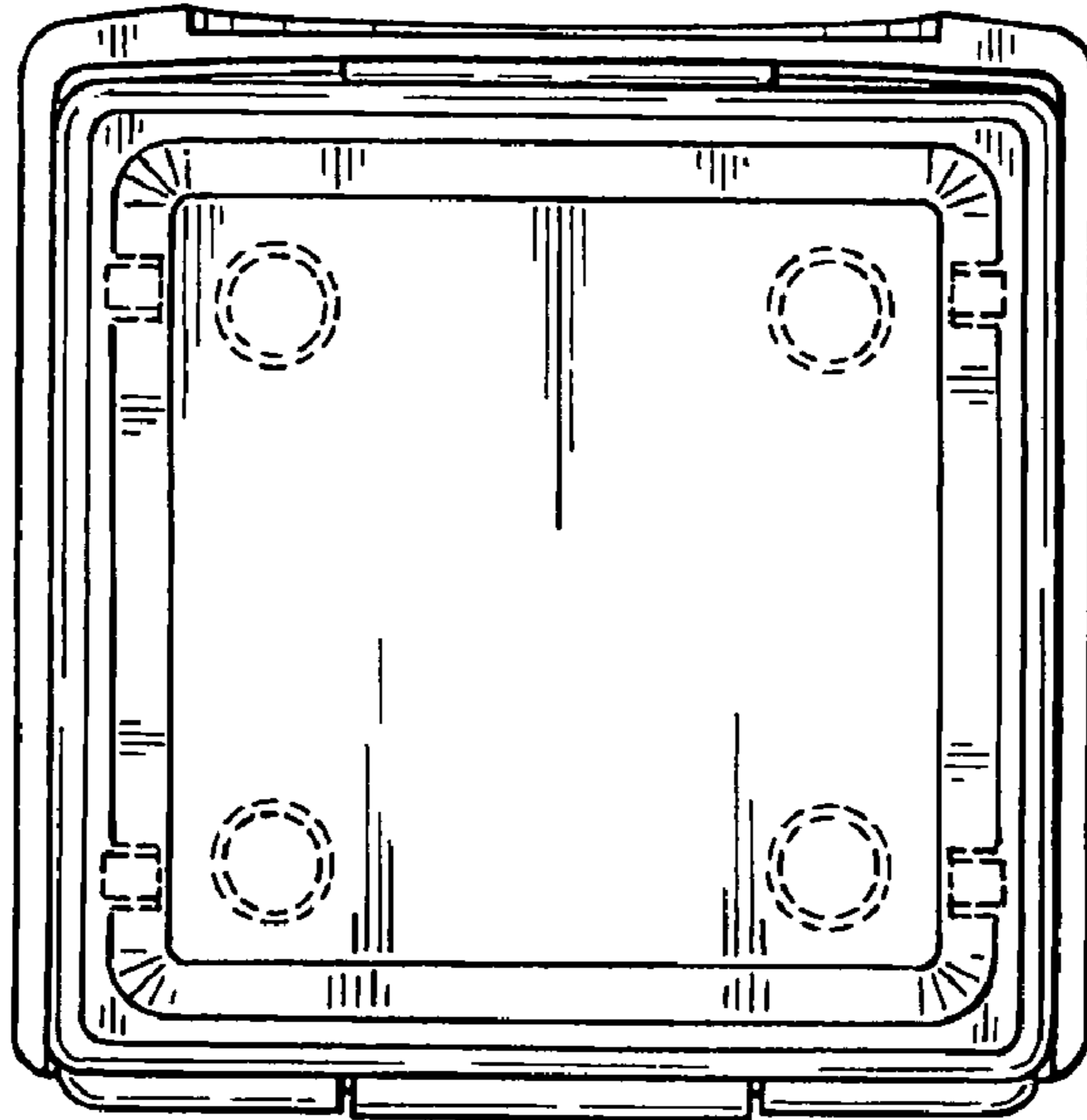


Fig. 6