



US00D566189S

(12) **United States Design Patent**
Ivey

(10) **Patent No.:** **US D566,189 S**

(45) **Date of Patent:** **** Apr. 8, 2008**

(54) **SELF-RIGHTING PAPER CLIP HOLDER**

(75) Inventor: **Jason Ivey**, Irvine, CA (US)

(73) Assignee: **Icon Development Group, Inc.**, Santa Ana, CA (US)

(**) Term: **14 Years**

(21) Appl. No.: **29/275,369**

(22) Filed: **Dec. 21, 2006**

(51) **LOC (8) Cl.** **19-06**

(52) **U.S. Cl.** **D19/75**

(58) **Field of Classification Search** D9/428,
D9/519; D19/35, 36, 65, 75, 78, 81-85,
D19/95-97; 16/403; 206/214, 338, 340,
206/350, 486, 818; 211/14, 15, DIG. 1;
221/212

See application file for complete search history.

(56) **References Cited**

U.S. PATENT DOCUMENTS

D44,625	S	*	9/1913	De Yoos	D99/36
D49,555	S	*	8/1916	Vivaudou	D9/504
D79,190	S	*	8/1929	Hanle	D19/84
D85,054	S	*	9/1931	Platt	D19/84
D85,644	S	*	12/1931	Graff	D19/99
1,963,785	A	*	6/1934	Gerschel	15/257.074
D112,545	S	*	12/1938	Younghusband	D9/504
D136,524	S	*	10/1943	Swainson	D9/418
D149,117	S	*	3/1948	Funfrock	D19/97
2,475,450	A	*	7/1949	Dvorak	33/555.2
2,737,927	A	*	3/1956	Rhoades	401/119
3,269,528	A	*	8/1966	Leedy	206/338
D214,349	S	*	6/1969	McFarland	D19/36
3,494,515	A	*	2/1970	Fattori	222/548
D219,496	S	*	12/1970	Lebedeff	D28/85

3,587,835	A	*	6/1971	Shore	206/350
D226,335	S	*	2/1973	Levy	D19/77
3,731,415	A	*	5/1973	Shore	40/358
D230,954	S	*	3/1974	Gregorietti	D9/504
4,058,209	A	*	11/1977	Schmidt	206/350
D255,988	S	*	7/1980	Mascia et al.	D9/519
D286,858	S	*	11/1986	Giorgio	D9/519
D289,355	S	*	4/1987	Paulides	D7/523
D292,991	S	*	12/1987	Adler	D19/78

(Continued)

OTHER PUBLICATIONS

U.S. Appl. No. 11/206,344, Jason Ivey.

Primary Examiner—Elizabeth A. Albert

(74) *Attorney, Agent, or Firm*—The Soni Law Firm

(57) **CLAIM**

The ornamental design for a self-righting paper clip holder, as shown and described.

DESCRIPTION

FIG. 1 is a front bottom perspective view of a self-righting paper clip holder showing my new design;

FIG. 2 is a front elevational view thereof, which is a mirror image of the back, left side and right side elevational views thereof;

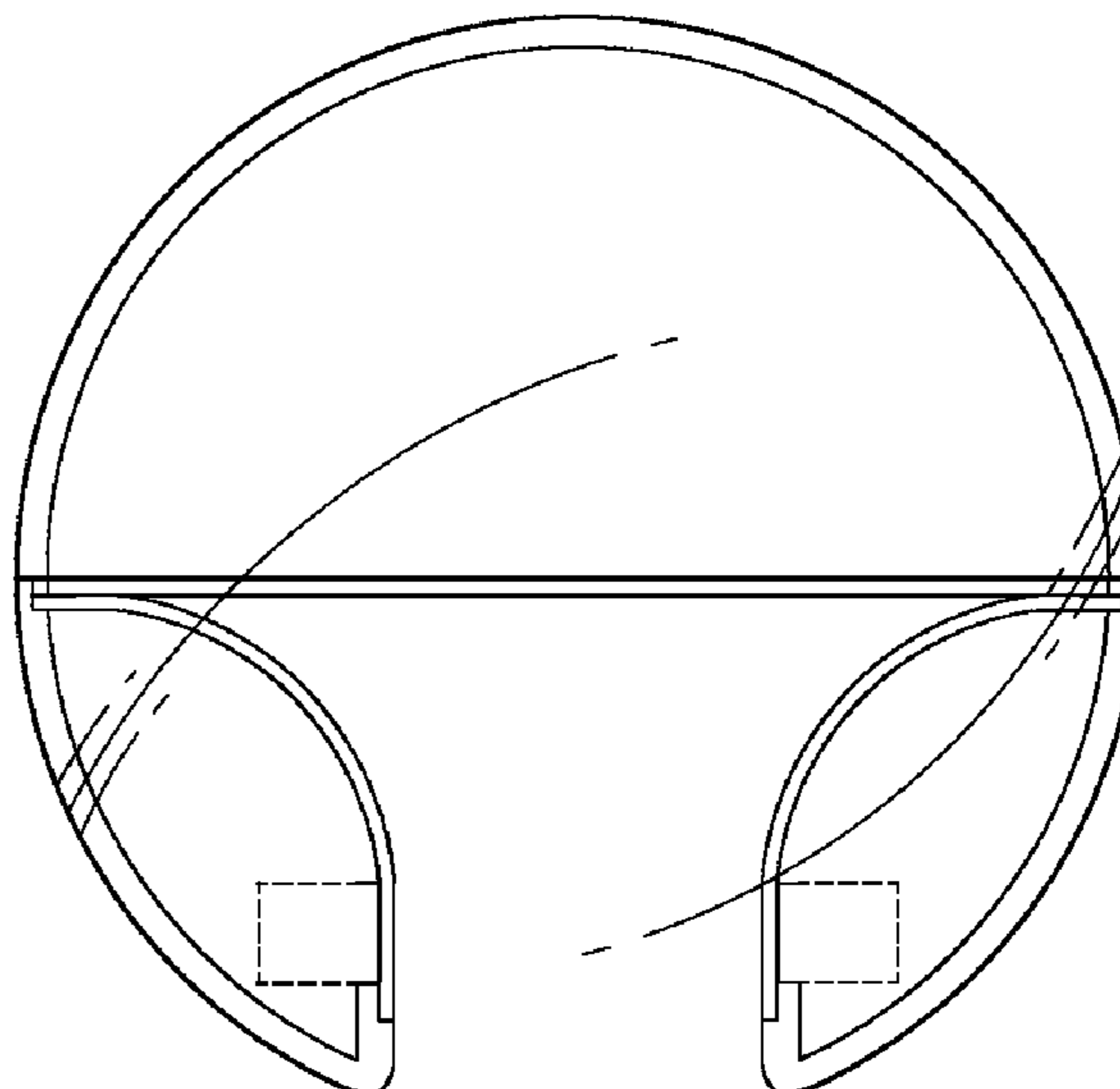
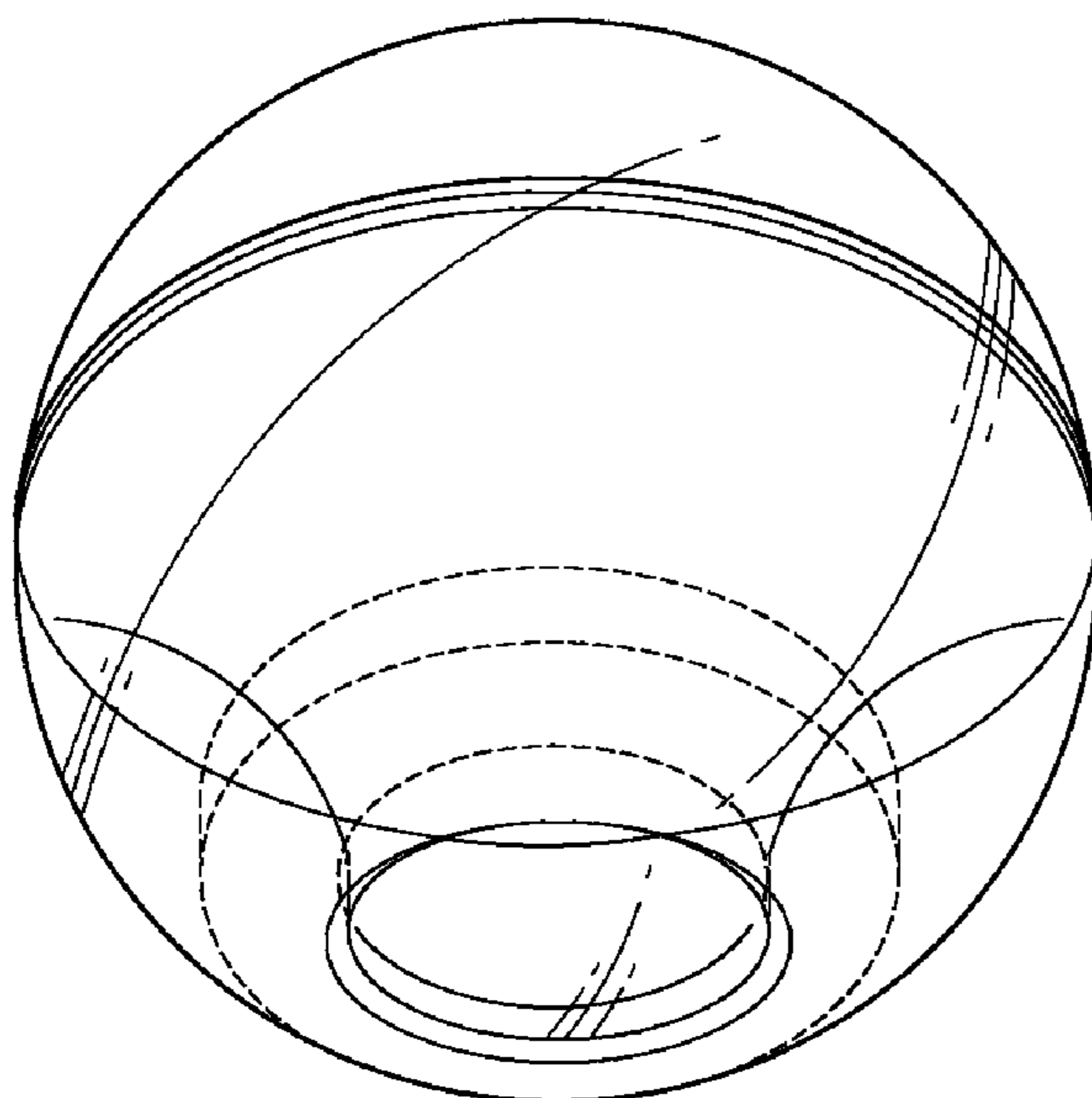
FIG. 3 is a top plan view thereof;

FIG. 4 is a bottom plan view thereof; and,

FIG. 5 is a cross-sectional view thereof, taken along the lines 5—5 in FIG. 3.

The broken lines showing interior features depict environmental structure and form no part of the claimed design.

1 Claim, 2 Drawing Sheets



US D566,189 S

Page 2

U.S. PATENT DOCUMENTS

4,732,387 A *	3/1988	Elinski	273/144 A	D417,357 S *	12/1999	Young	D6/631
D304,262 S *	10/1989	Mays	D3/271.9	D422,692 S *	4/2000	Quinones	D23/367
5,064,073 A *	11/1991	Folland	220/521	6,050,438 A *	4/2000	Kovens et al.	220/4.24
D323,352 S *	1/1992	Halm	D19/75	6,244,464 B1 *	6/2001	Goserud	221/155
D324,106 S *	2/1992	Greenblatt	D24/200	D445,831 S *	7/2001	Lindner	D19/57
5,165,538 A *	11/1992	Peters	206/315.9	D464,571 S *	10/2002	Hill et al.	D9/519
D333,784 S *	3/1993	Goodman	D9/424	D465,733 S *	11/2002	Hill	D9/519
D340,077 S *	10/1993	Turner	D19/82	D478,813 S *	8/2003	Beene	D9/519
D354,441 S *	1/1995	Fontanella	D9/504	D482,394 S *	11/2003	Chiu	D19/36
D358,089 S *	5/1995	Wong et al.	D9/746	D487,697 S *	3/2004	Rosen	D9/745
D367,207 S *	2/1996	Lutzker	D7/591	D504,979 S *	5/2005	Lai	D28/76
D387,808 S *	12/1997	Carlson	D19/99	D547,430 S *	7/2007	Low	D23/364
D388,464 S *	12/1997	Najbart	D19/78	D553,687 S *	10/2007	Huang	D19/84
D389,516 S *	1/1998	Delman	D19/36	2002/0033397 A1 *	3/2002	Henson	220/603

* cited by examiner

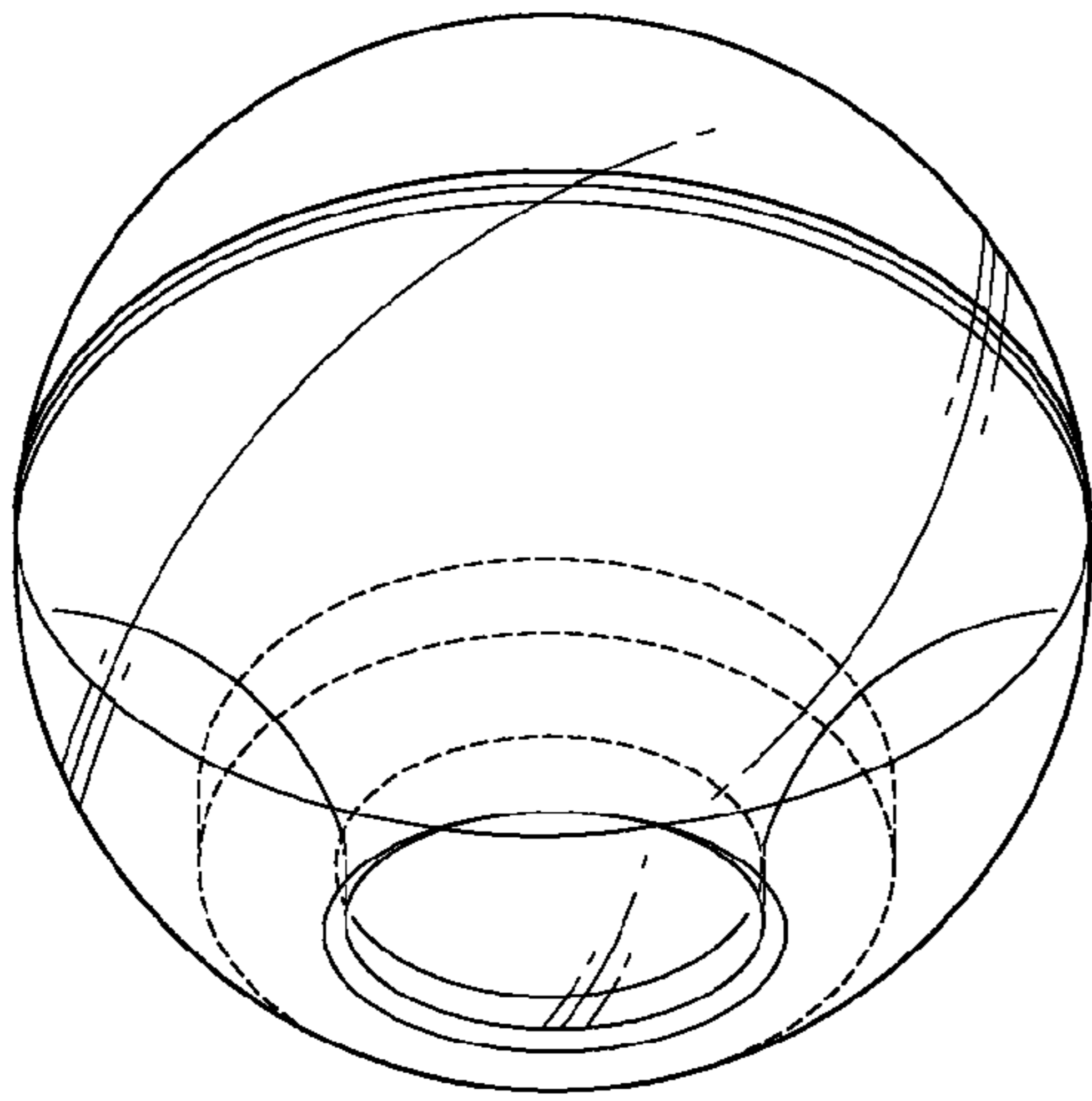


FIG. 1

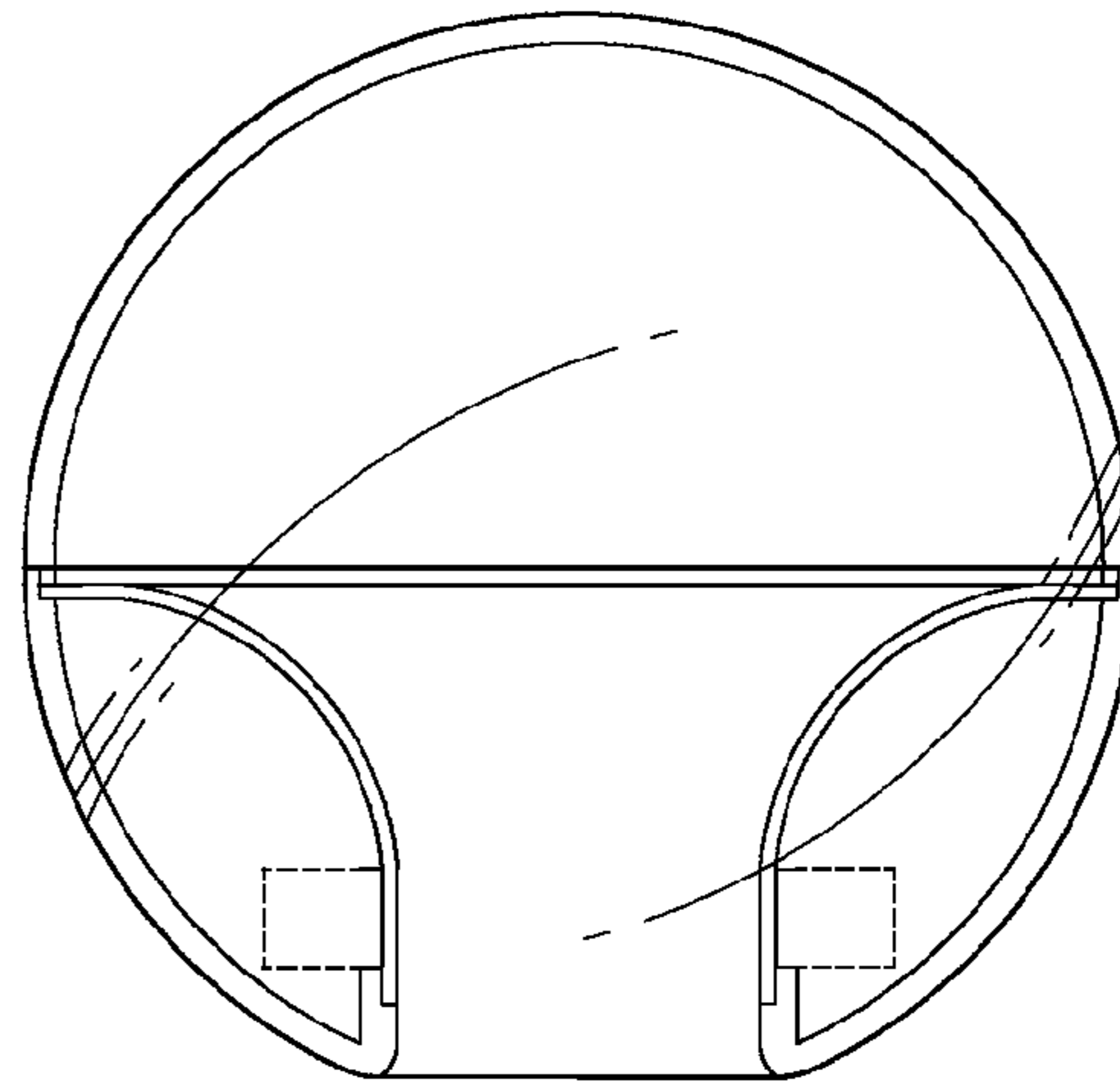


FIG. 2

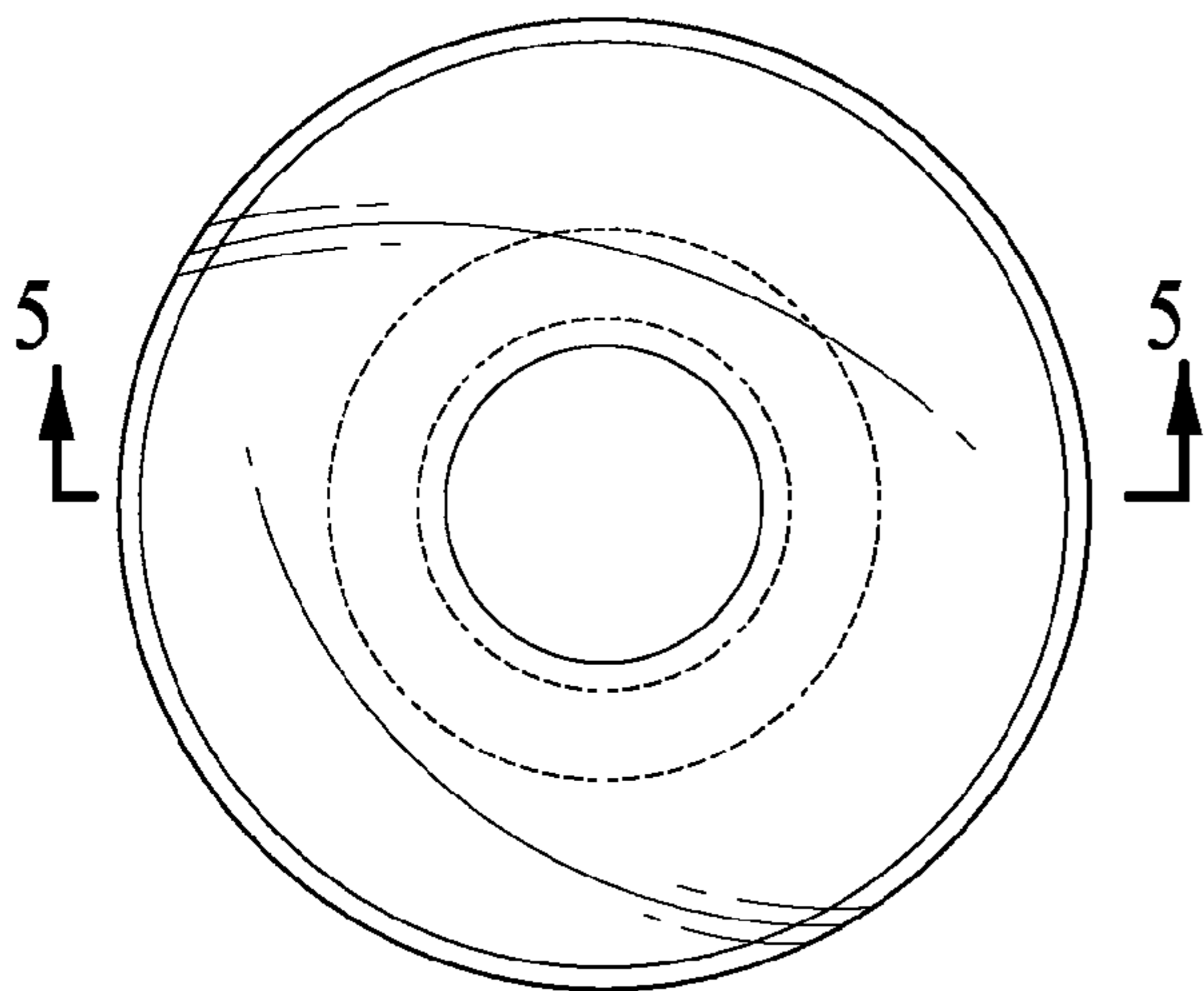


FIG. 3

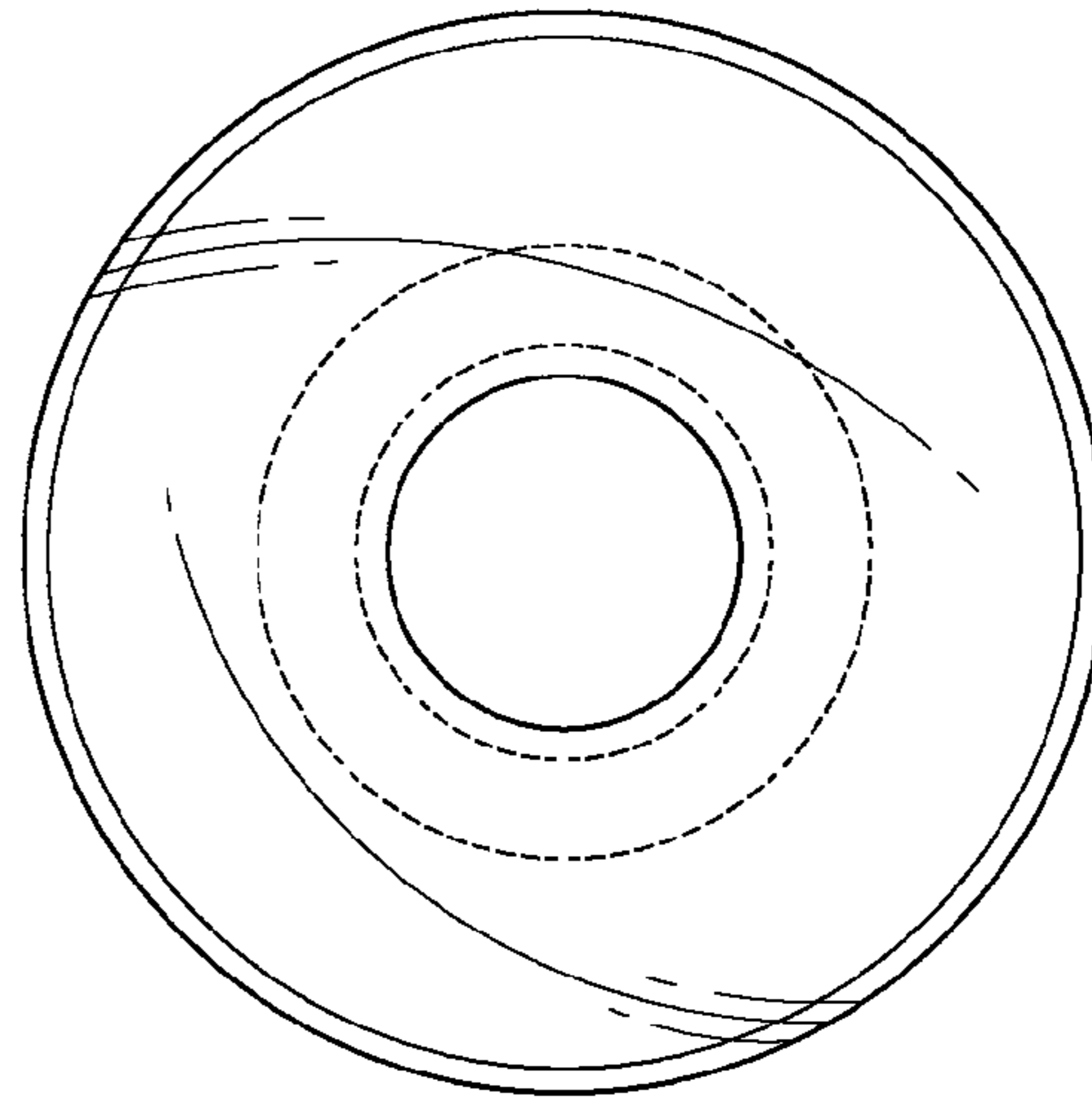


FIG. 4

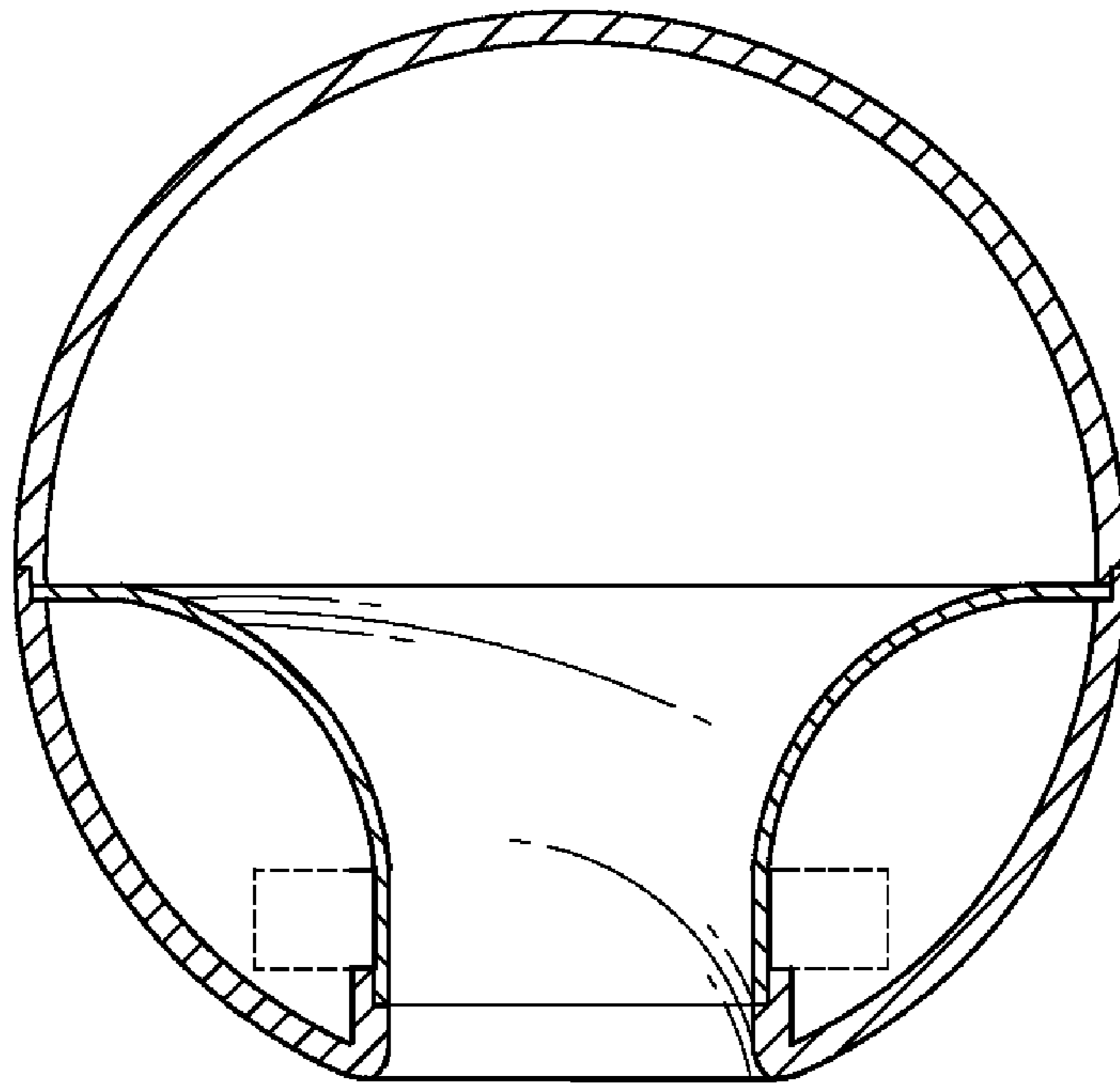


FIG. 5