

US00D566182S

(12) **United States Design Patent**  
**Snyder et al.**

(10) **Patent No.:** **US D566,182 S**  
(45) **Date of Patent:** **\*\* Apr. 8, 2008**

(54) **WRITING INSTRUMENT HOLDER AND  
HAND SUPPORT**

(75) Inventors: **Darryl L. Snyder**, Canton, OH (US);  
**Patrick M. Nolan**, Canton, OH (US);  
**John C. Smith**, Massillon, OH (US)

(73) Assignee: **Snyder National Corporation**, Canton,  
OH (US)

(\*\*) Term: **14 Years**

(21) Appl. No.: **29/286,470**

(22) Filed: **May 7, 2007**

**Related U.S. Application Data**

(62) Division of application No. 29/228,844, filed on Apr.  
29, 2005, now Pat. No. Des. 544,035, and a division  
of application No. 29/272,651, filed on Feb. 14, 2007,  
now Pat. No. Des. 553,192.

(51) **LOC (8) Cl.** ..... **19-06**

(52) **U.S. Cl.** ..... **D19/54; D19/84**

(58) **Field of Classification Search** ..... D8/394,  
D8/395, 396; D19/35, 36, 54, 75, 77, 81-85;  
24/11 R, 11 CC, 11 CT, 11 F, 11 P; 211/69.1-69.9;  
248/118.5; 401/6, 48, 52, 88, 131  
See application file for complete search history.

(56) **References Cited**

**U.S. PATENT DOCUMENTS**

926,427 A \* 6/1909 Lacy ..... 248/118.5  
D201,479 S \* 6/1965 Green ..... D19/84

3,250,255 A \* 5/1966 Cruickshank ..... 248/118.5  
3,972,628 A \* 8/1976 Stevers ..... 401/48  
D263,677 S \* 4/1982 Clark ..... D8/396  
D299,150 S \* 12/1988 Birch ..... D19/85  
5,016,559 A \* 5/1991 Larson et al. .... 116/234  
D350,947 S \* 9/1994 Klinger et al. .... D14/454  
D352,962 S \* 11/1994 Zier ..... D19/82  
D387,092 S \* 12/1997 Elkins ..... D19/78  
5,772,345 A \* 6/1998 Simonds ..... 401/48  
5,823,494 A \* 10/1998 Jones et al. .... 248/309.1  
6,175,082 B1 \* 1/2001 Klinger et al. .... 174/135  
D479,477 S \* 9/2003 Perczozon ..... D10/74  
2007/0020021 A1 \* 1/2007 Snyder et al. .... 401/48

\* cited by examiner

*Primary Examiner*—Elizabeth A. Albert

(74) *Attorney, Agent, or Firm*—Zollinger & Burleson Ltd.

(57) **CLAIM**

The ornamental design for a writing instrument holder and  
hand support, as shown and described.

**DESCRIPTION**

FIG. 1 is a perspective view of the writing instrument holder  
and hand support showing our new design.

FIG. 2 is a right side elevation view of FIG. 1.

FIG. 3 is a front elevation view of FIG. 1.

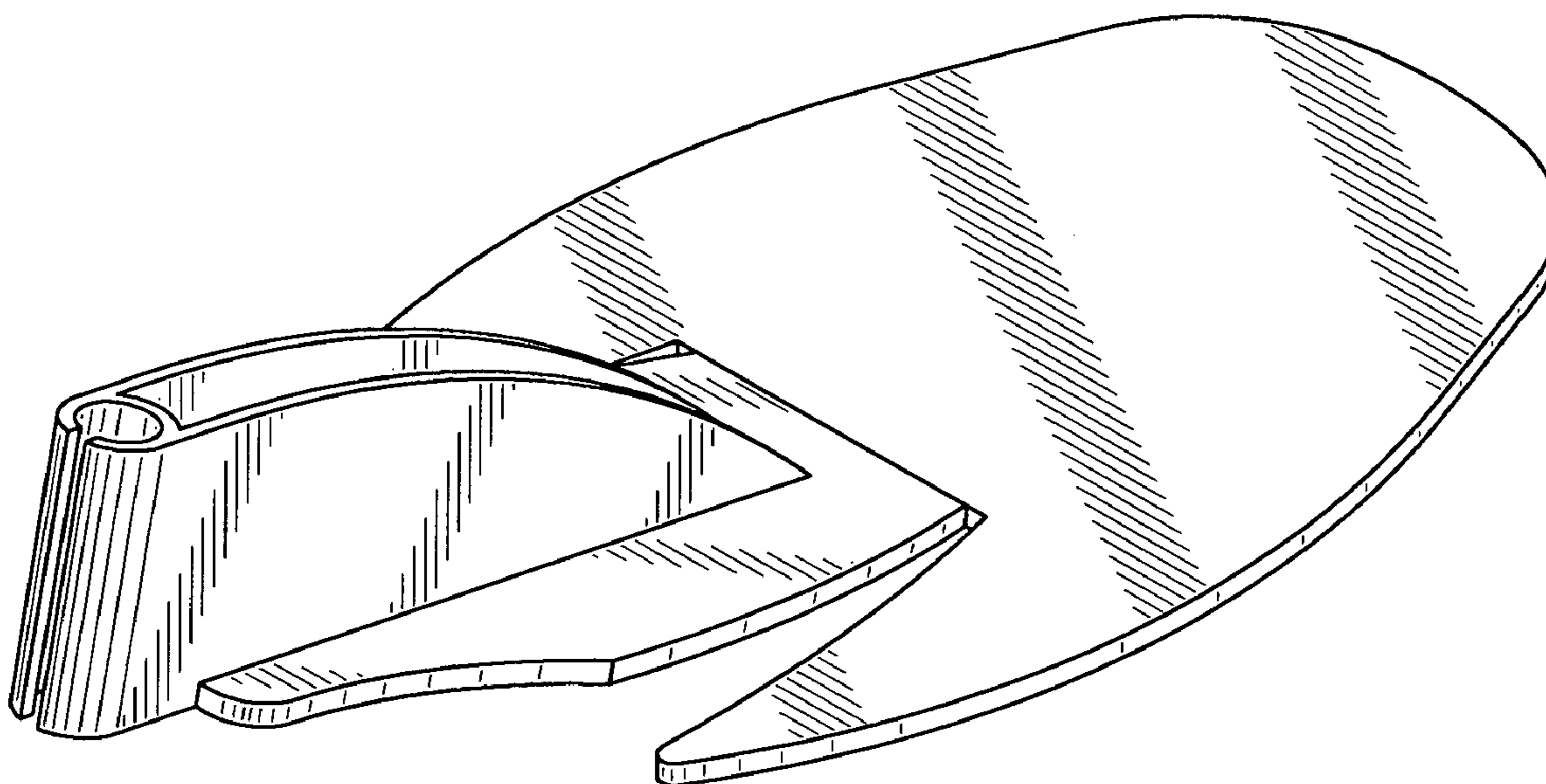
FIG. 4 is a rear elevation view of FIG. 1.

FIG. 5 is a top plan view of FIG. 1.

FIG. 6 is a bottom plan view of FIG. 1; and,

FIG. 7 is a left side elevation view of FIG. 1.

**1 Claim, 6 Drawing Sheets**



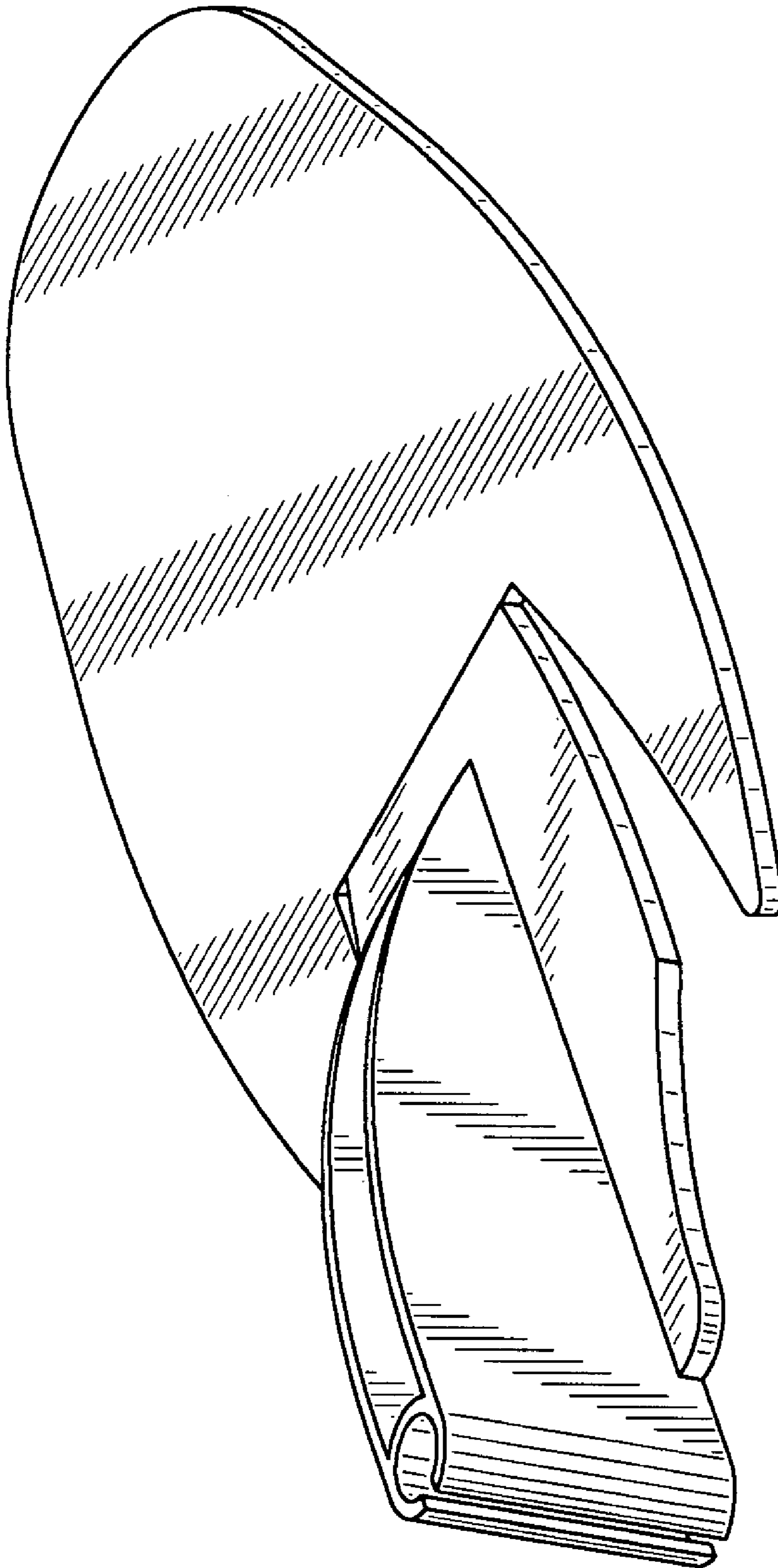


FIG. 1

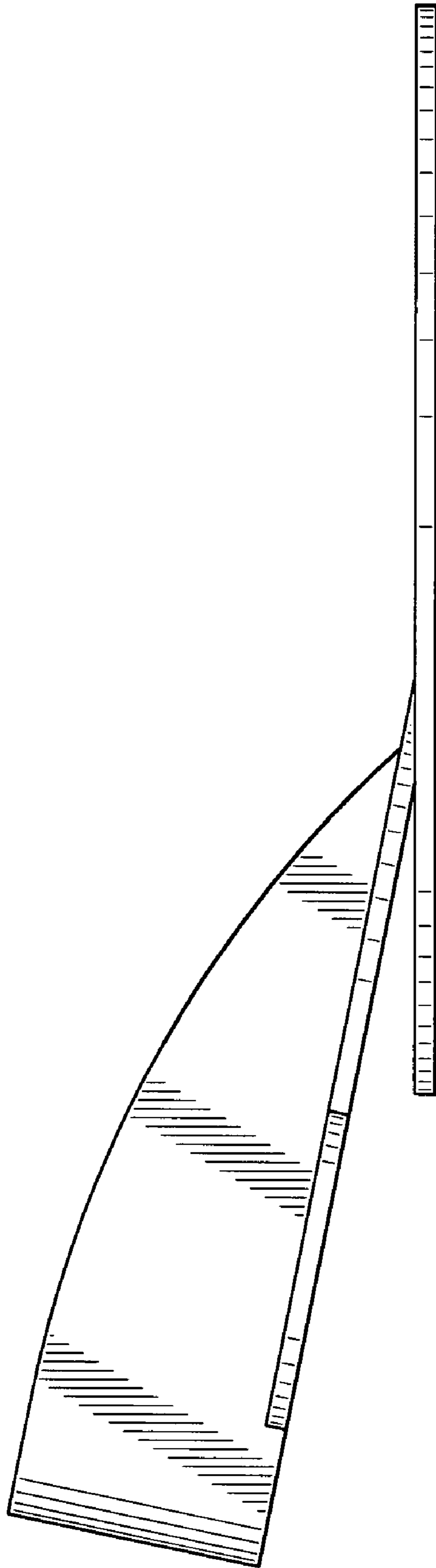


FIG. 2

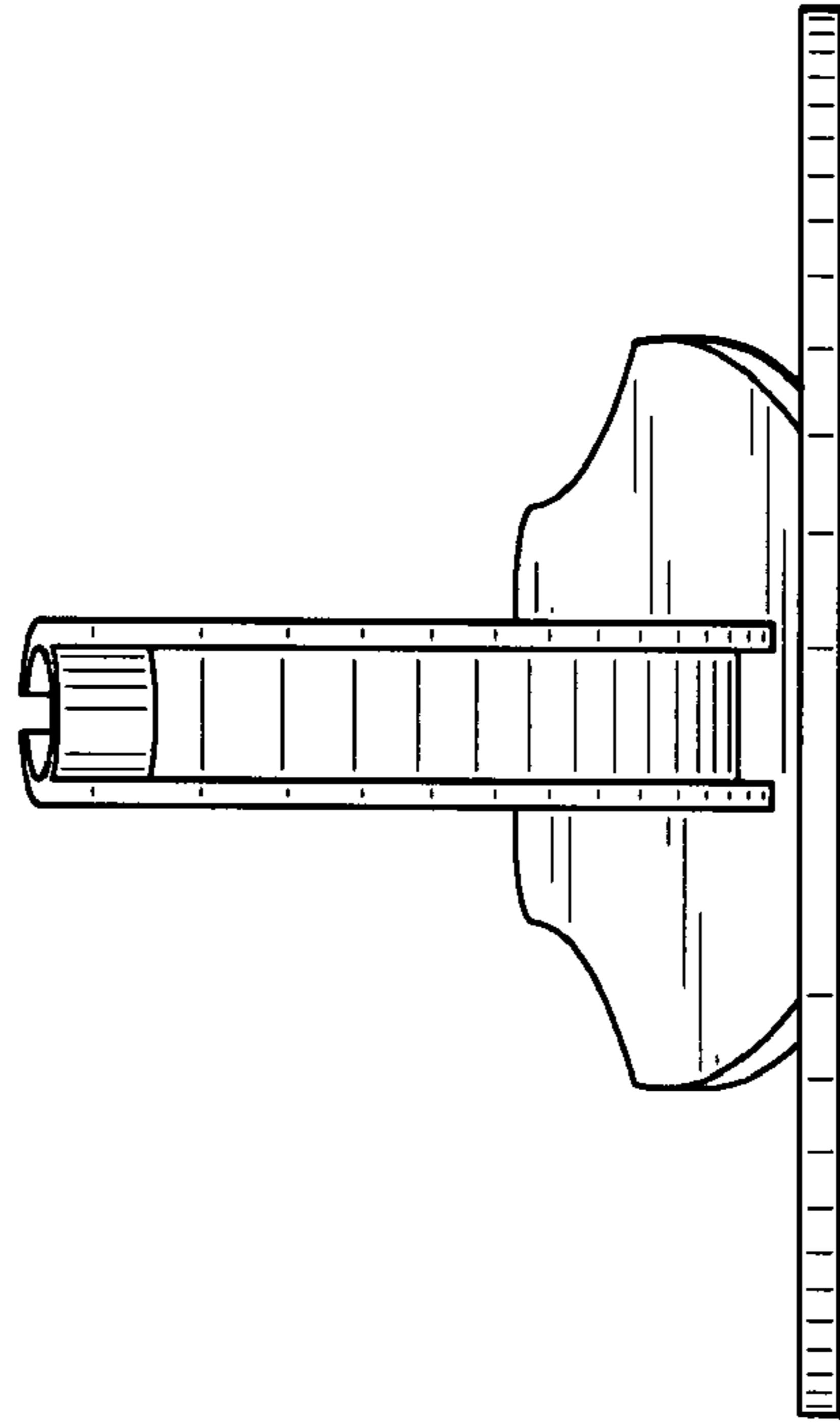


FIG. 4

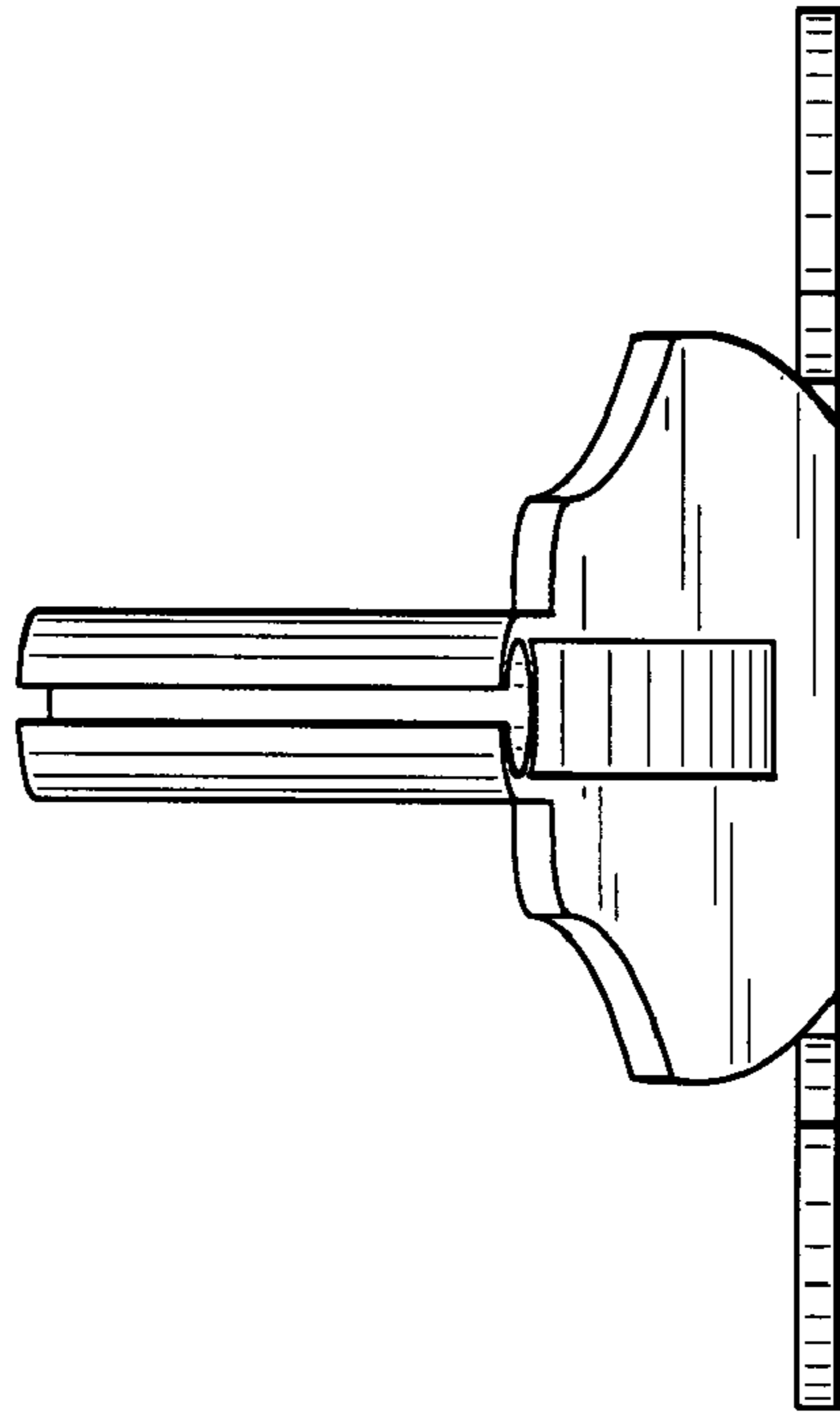


FIG. 3

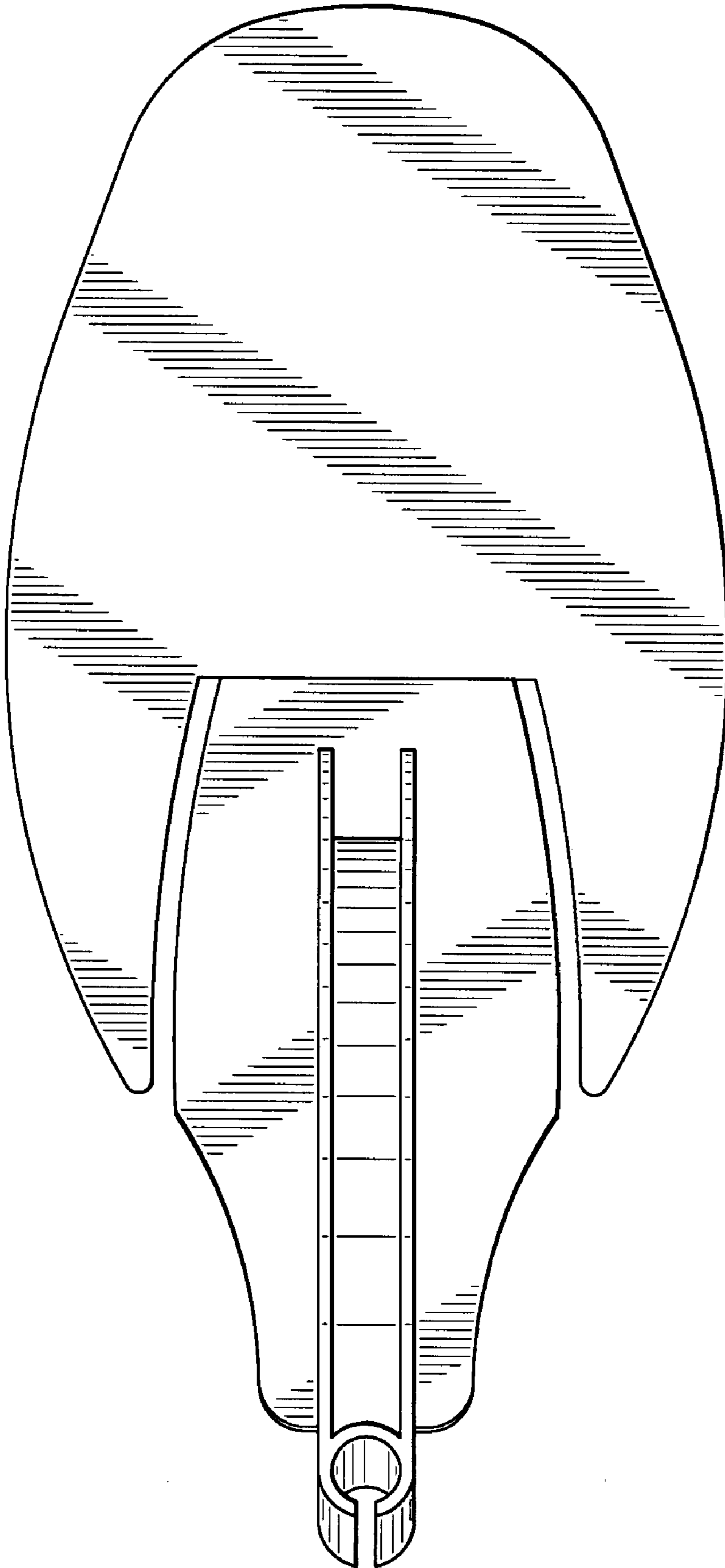


FIG. 5

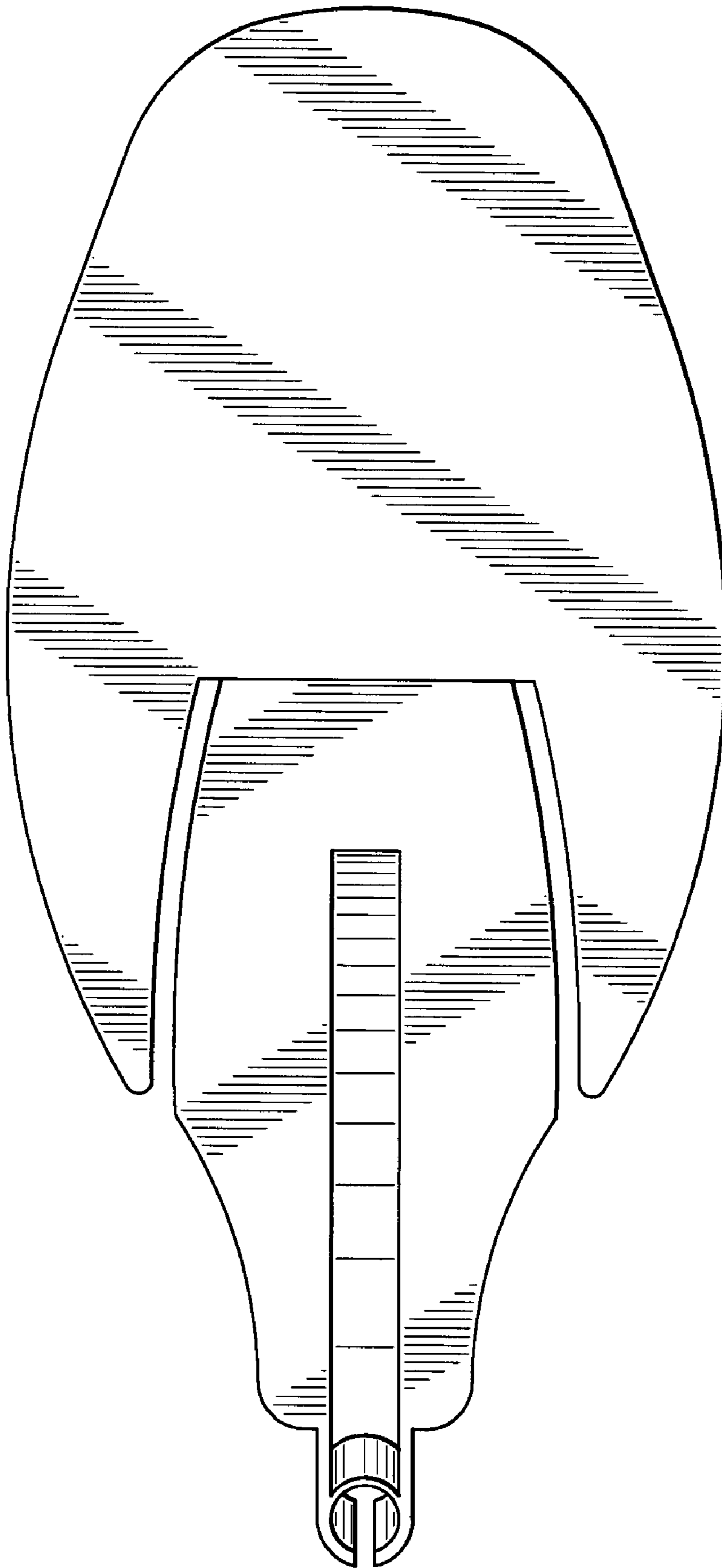


FIG. 6

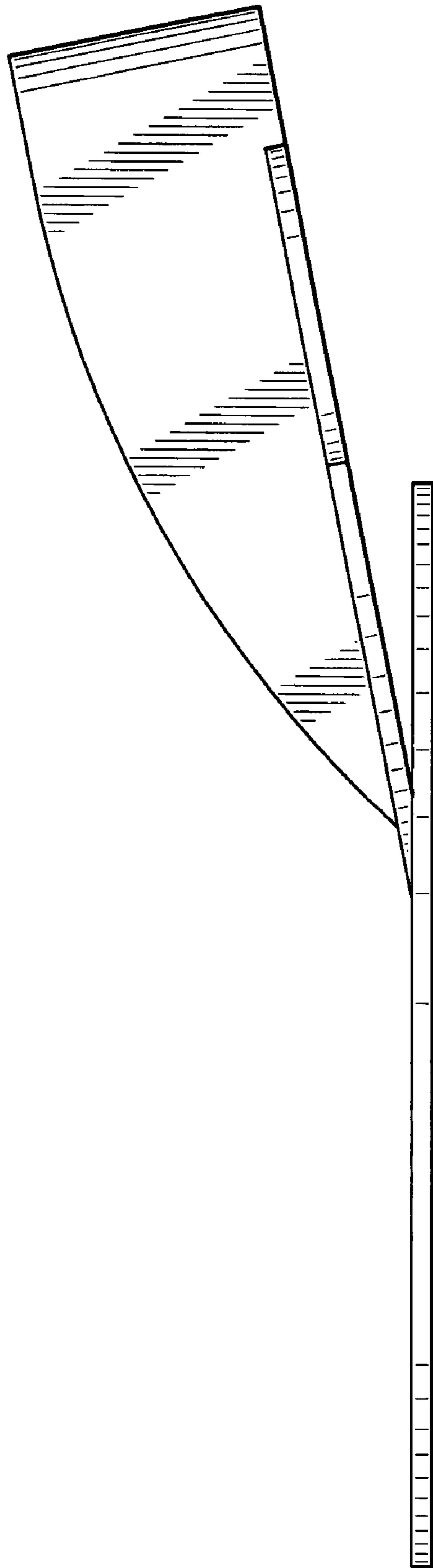


FIG. 7