



US00D566181S

(12) **United States Design Patent** (10) **Patent No.:** **US D566,181 S**
Gerules (45) **Date of Patent:** **** Apr. 8, 2008**

(54) **DRY ERASE BOARD**

OTHER PUBLICATIONS

(75) Inventor: **Matthew Justin Gerules**, Chicago, IL (US)

Digital photograph of a Boone dry erase board which was publicly available before Sep. 20, 2006.

(Continued)

(73) Assignee: **Sanford, L.P.**, Oak Brook, IL (US)

Primary Examiner—Elizabeth A. Albert

(**) Term: **14 Years**

(74) *Attorney, Agent, or Firm*—Marshall, Gerstein & Borun LLP

(21) Appl. No.: **29/266,422**

(57) **CLAIM**

(22) Filed: **Sep. 20, 2006**

The ornamental design for a dry erase board, as shown and described.

Related U.S. Application Data

(63) Continuation-in-part of application No. 11/533,242, filed on Sep. 19, 2006.

DESCRIPTION

(51) **LOC (8) Cl.** **19-06**

FIG. 1 is a perspective view showing my new design for a dry erase board;

(52) **U.S. Cl.** **D19/52**

FIG. 2 is a front view of the dry erase board of FIG. 1;

(58) **Field of Classification Search** D6/300–314, D6/419; D19/35, 36, 52; D20/10, 39–42; 40/584, 745; 248/441.1, 444.1, 450, 465; 362/99; 434/408, 409, 415, 417, 421, 425, 434/428

FIG. 3 is a rear view of the dry erase board of FIG. 1;

FIG. 4 is a side view of the dry erase board of FIG. 1;

See application file for complete search history.

FIG. 5 is the opposite side view of the dry erase board of FIG. 1;

FIG. 6 is a top plan view of the dry erase board of FIG. 1;

FIG. 7 is a bottom plan view of the dry erase board of FIG. 1;

(56) **References Cited**

U.S. PATENT DOCUMENTS

2,304,795 A * 12/1942 Bricker 248/453
2,923,452 A * 2/1960 Holovka, Jr. 225/93
D222,882 S * 1/1972 Sharer D19/52
D267,460 S * 1/1983 Heintz D6/314
D320,622 S * 10/1991 Yasika D20/18
5,230,535 A * 7/1993 Figlenski 281/45
D342,611 S * 12/1993 Andrews et al. D6/314
D370,355 S * 6/1996 Kenney D6/314
D388,826 S * 1/1998 Jones-Fenleigh et al. D19/59
D421,274 S * 2/2000 Kreimer et al. D19/90
6,493,976 B2 * 12/2002 Kenney 40/661

FIG. 8 is a perspective view showing a second embodiment of my new design for a dry erase board;

FIG. 9 is a front view of the dry erase board of FIG. 8;

FIG. 10 is a rear view of the dry erase board of FIG. 8;

FIG. 11 is a side view of the dry erase board of FIG. 8;

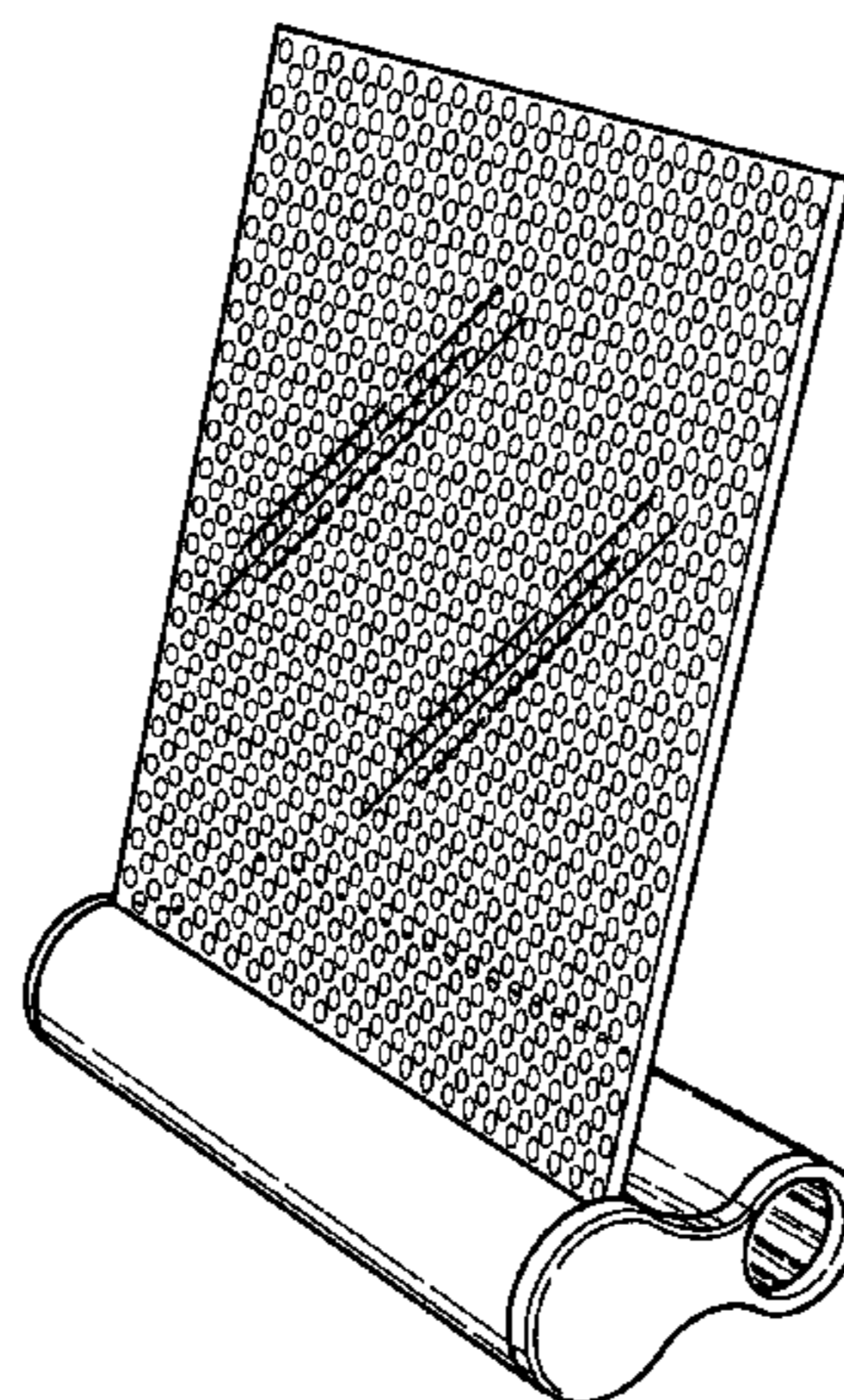
FIG. 12 is the opposite side view of the dry erase board of FIG. 8;

FIG. 13 is a top plan view of the dry erase board of FIG. 8; and,

FIG. 14 is a bottom plan view of the dry erase board of FIG. 8.

(Continued)

1 Claim, 10 Drawing Sheets



US D566,181 S

Page 2

U.S. PATENT DOCUMENTS

D483,575 S * 12/2003 Chan D6/310
D500,252 S * 12/2004 Hsu D10/18
D501,327 S * 2/2005 Keigley D6/300
D505,556 S * 5/2005 Keigley D6/310
D518,109 S * 3/2006 Opolka D20/42
D545,691 S * 7/2007 Bhavnani D10/2
2003/0157472 A1* 8/2003 Castillo et al. 434/409
2005/0239038 A1* 10/2005 Olsen et al. 434/409
2007/0113440 A1* 5/2007 Asvadi 40/544

OTHER PUBLICATIONS

Digital photograph of Boone dry erase board which was publicly available before Sep. 20, 2006.
Digital photograph of Boone dry erase board which was publicly available before Sep. 20, 2006.
Digital photograph of Boone dry erase board which was publicly available before Sep. 20, 2006.
Digital photograph of an Umbra dry erase board which was publicly available before Sep. 20, 2006.

* cited by examiner

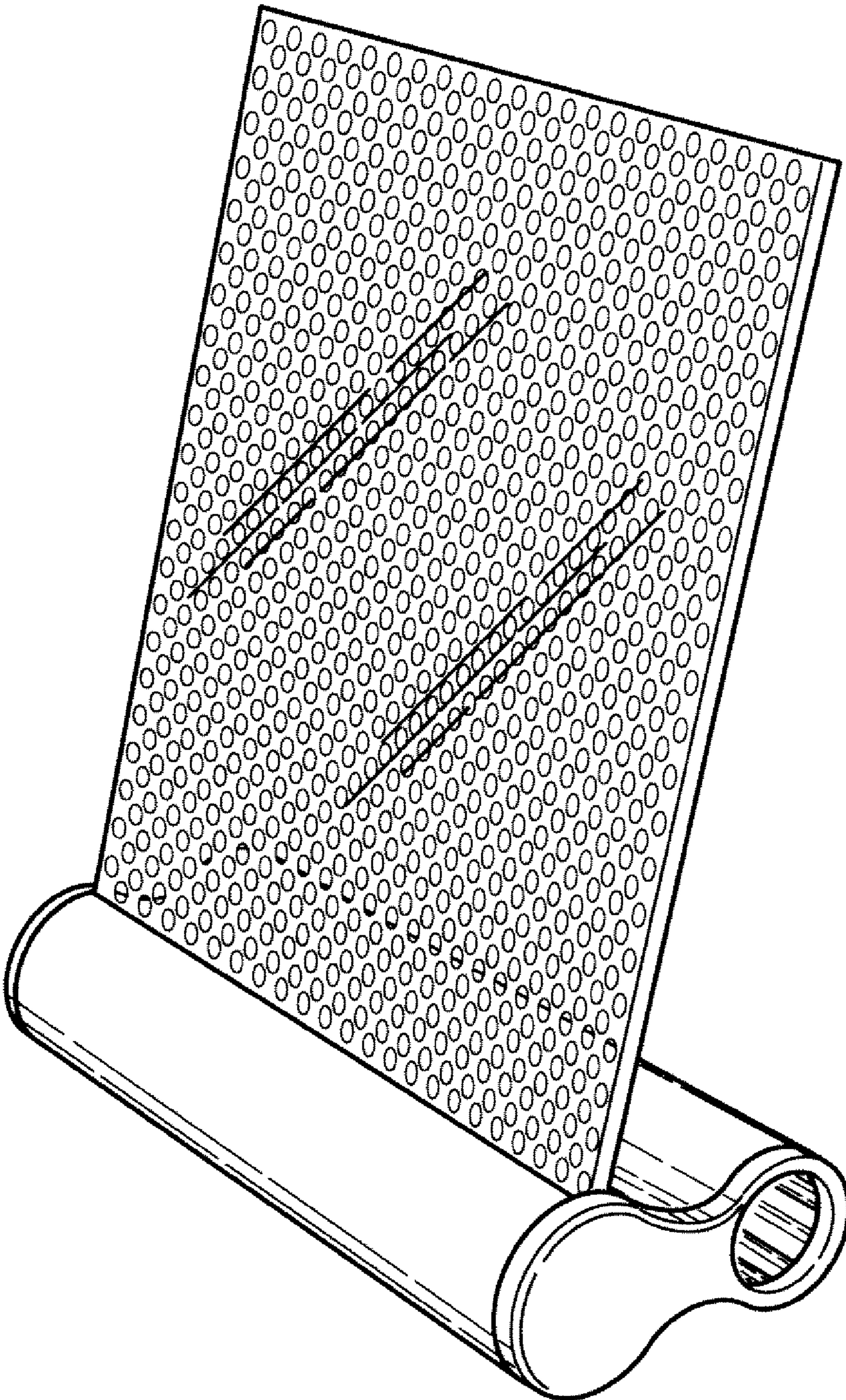


FIG. 1

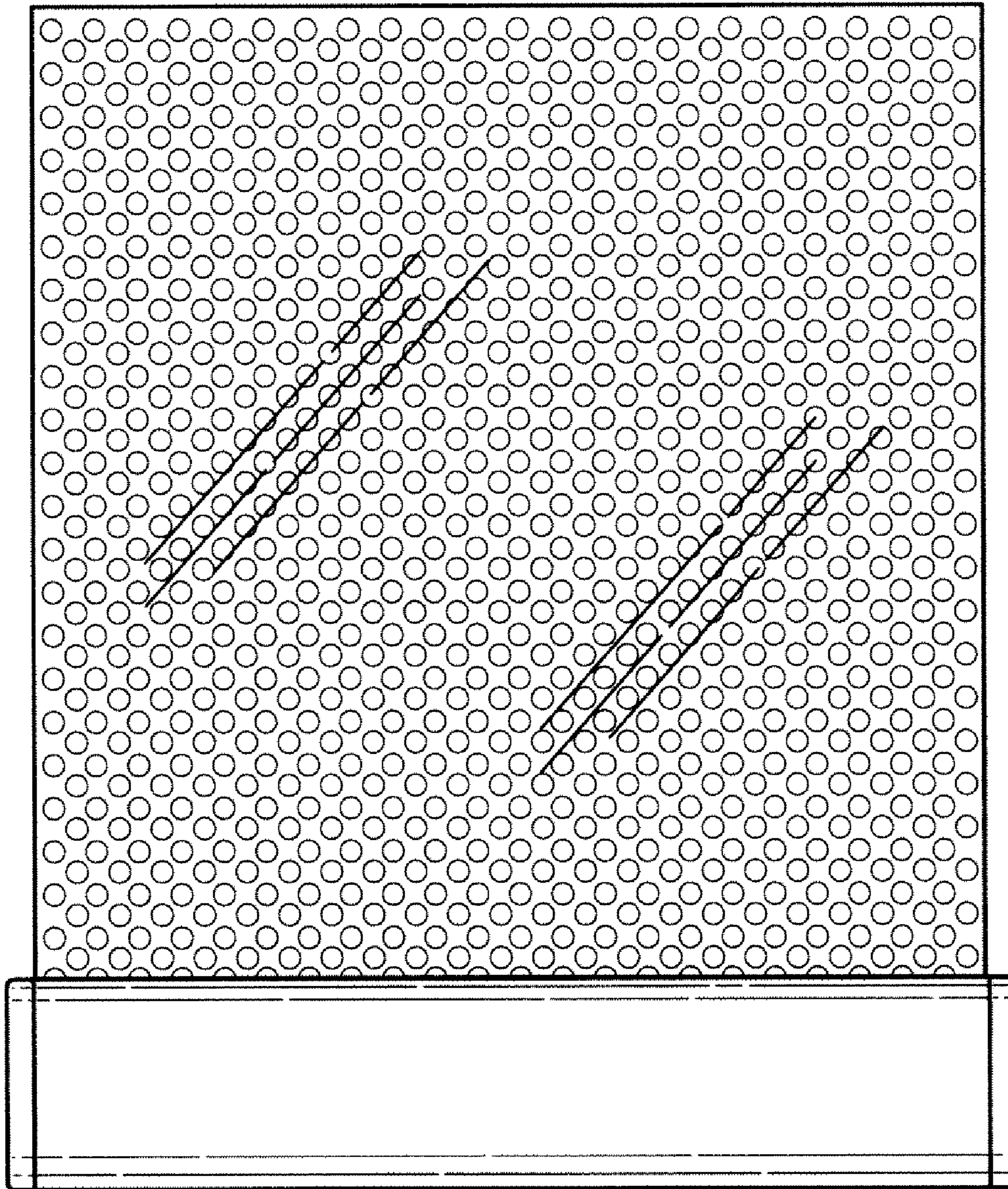


FIG. 2

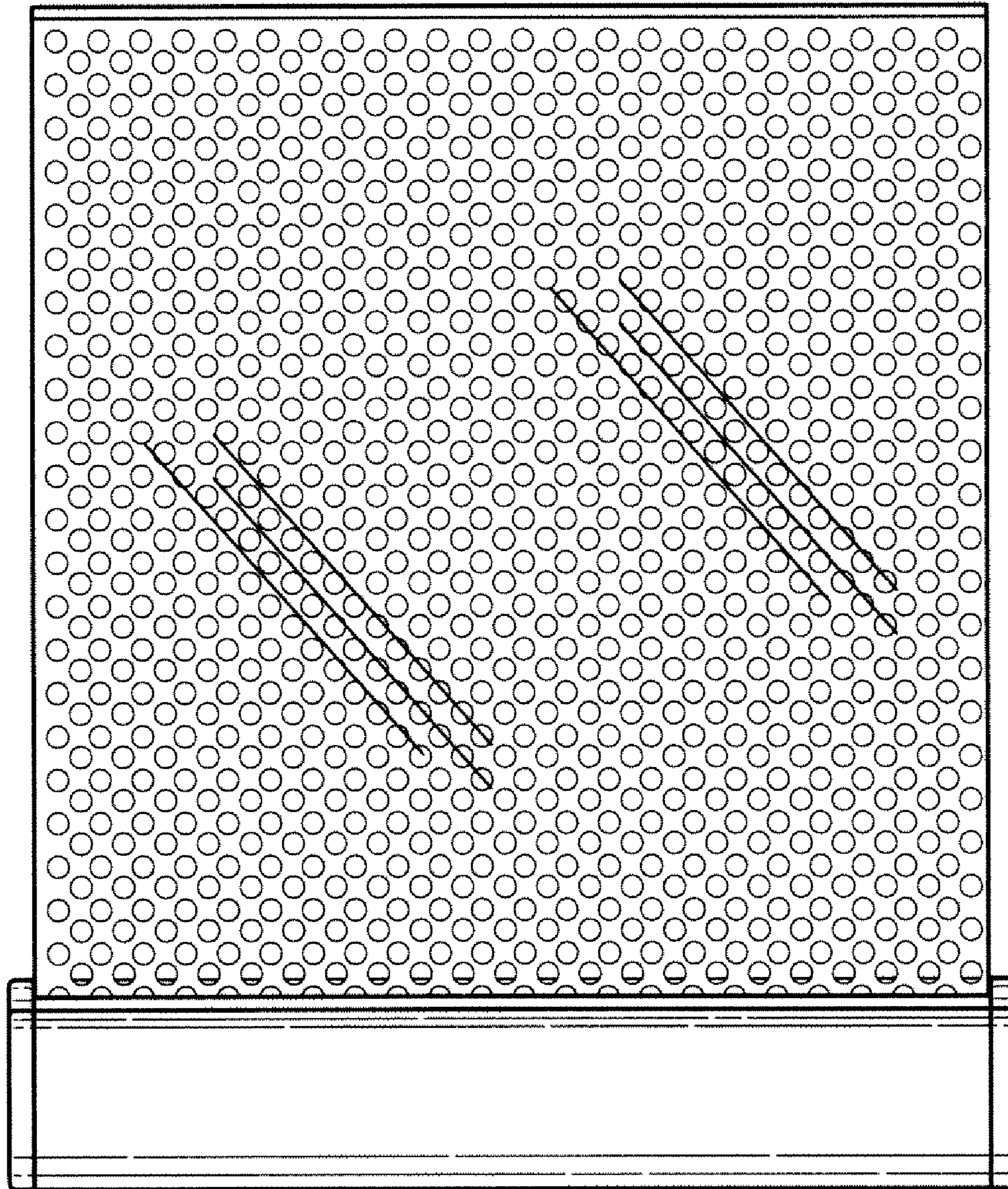


FIG. 3

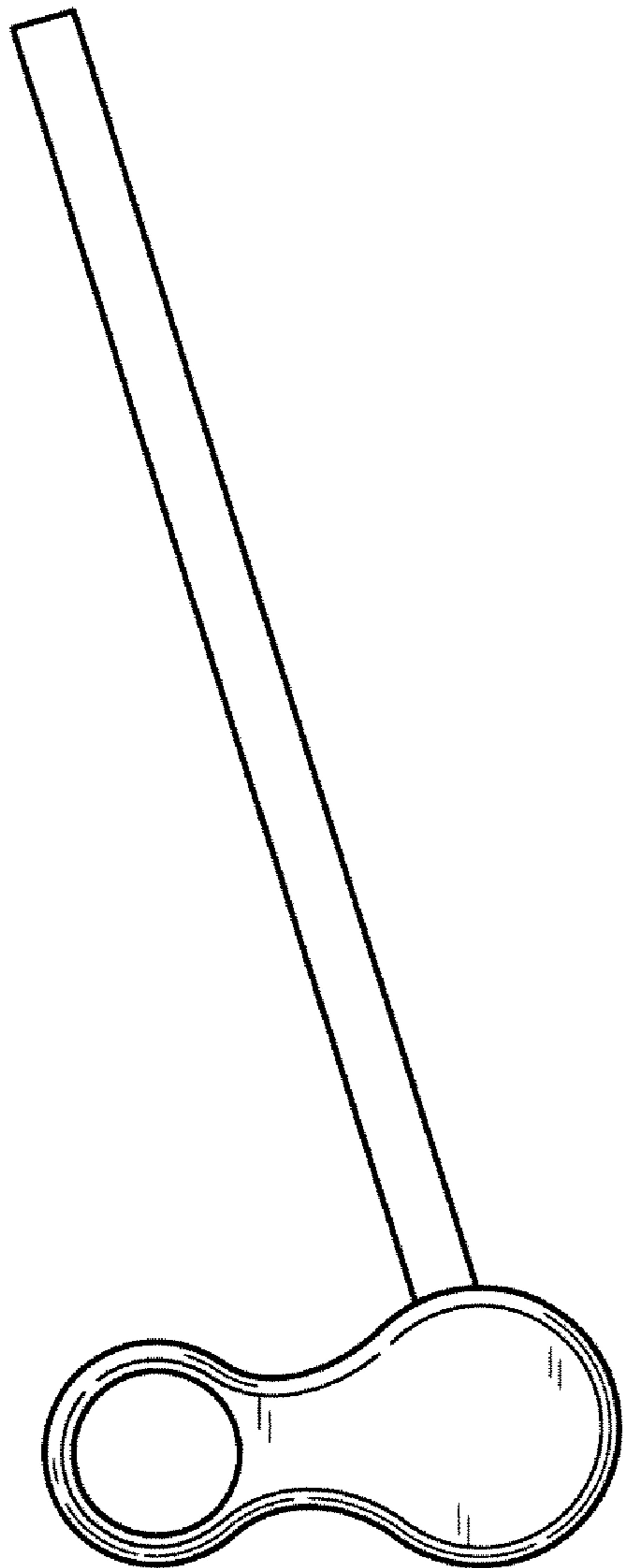


FIG. 4

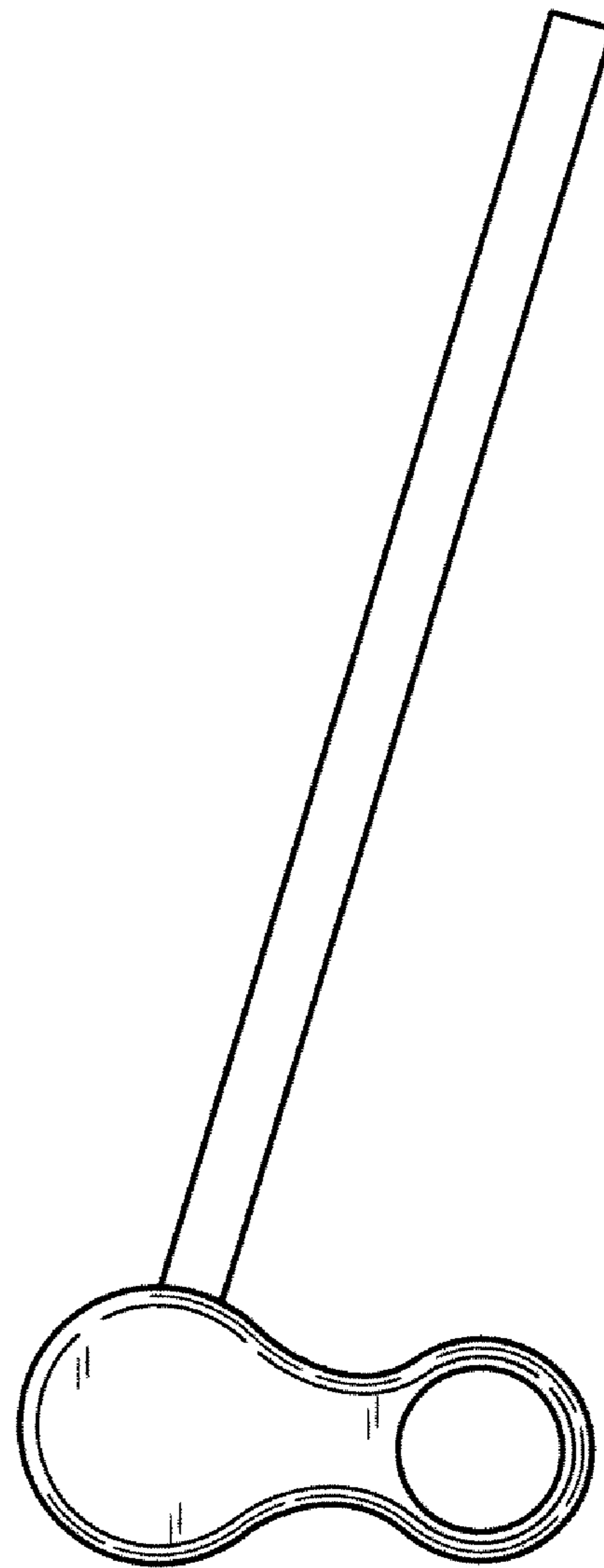


FIG. 5

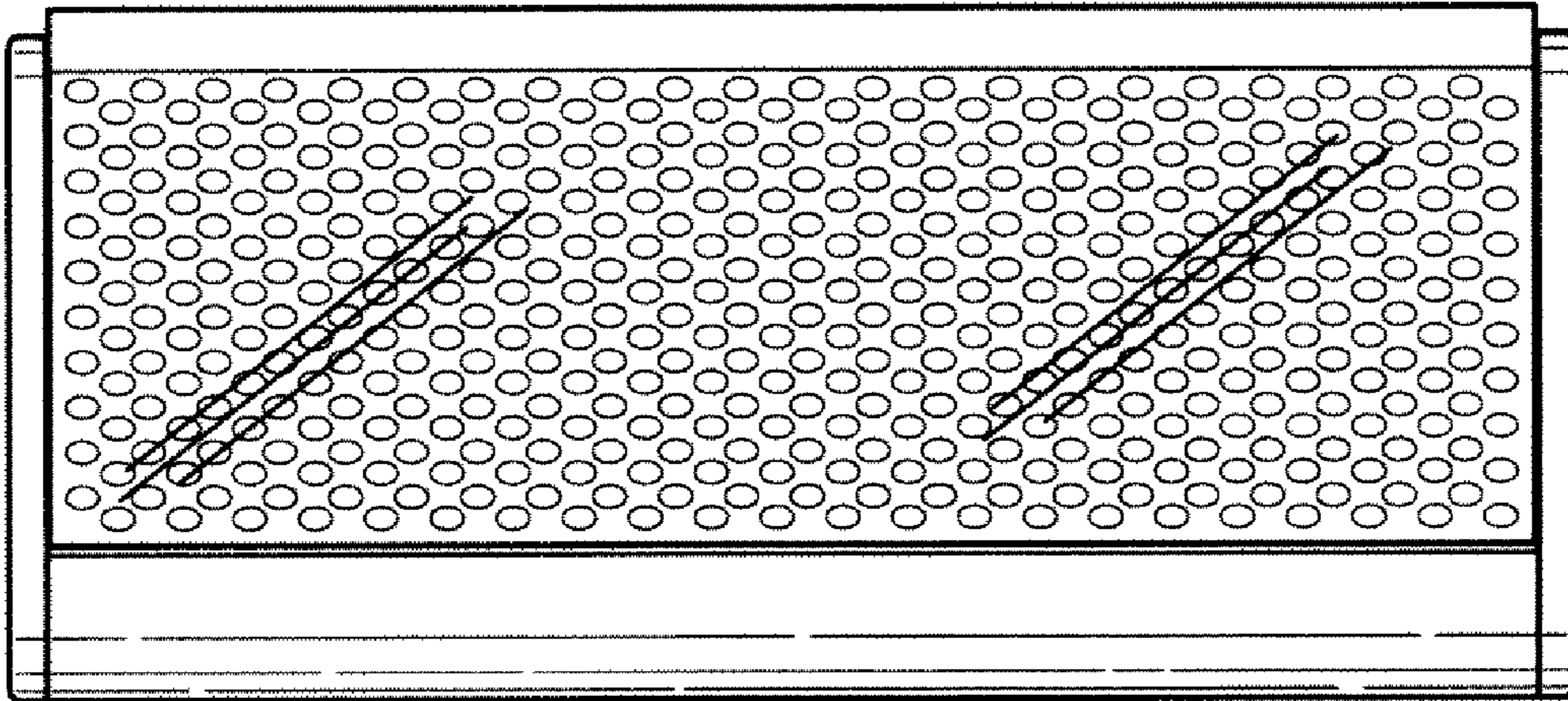


FIG. 6

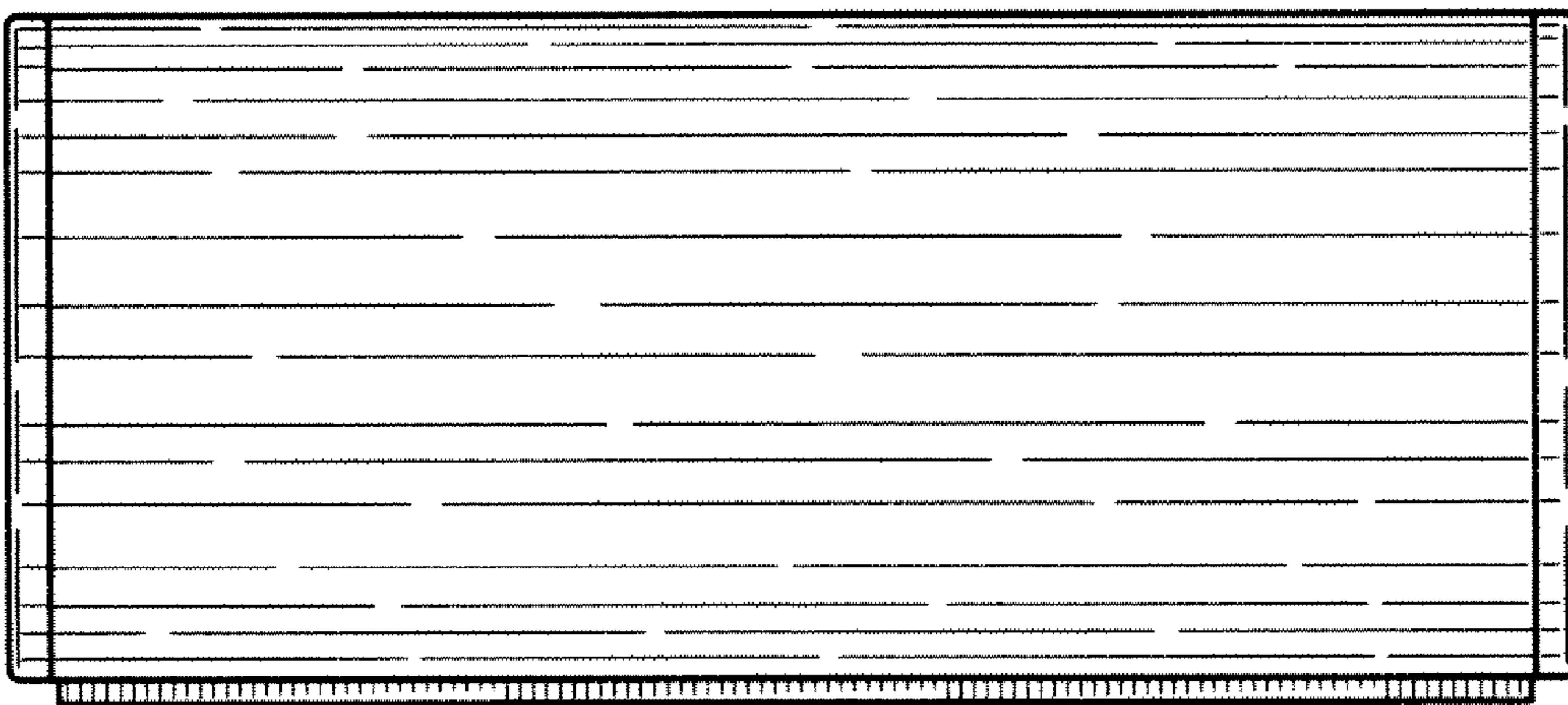


FIG. 7

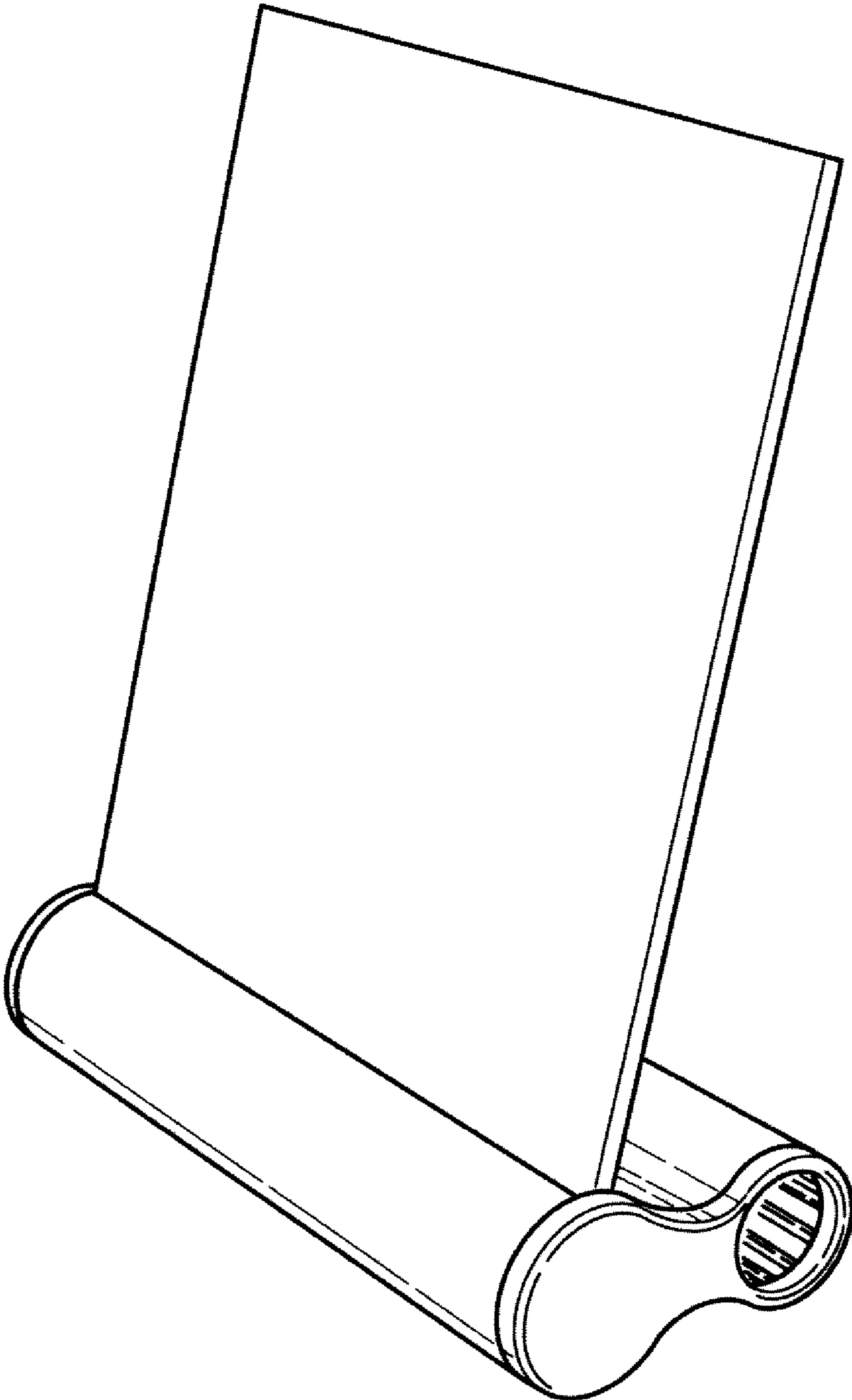


FIG. 8

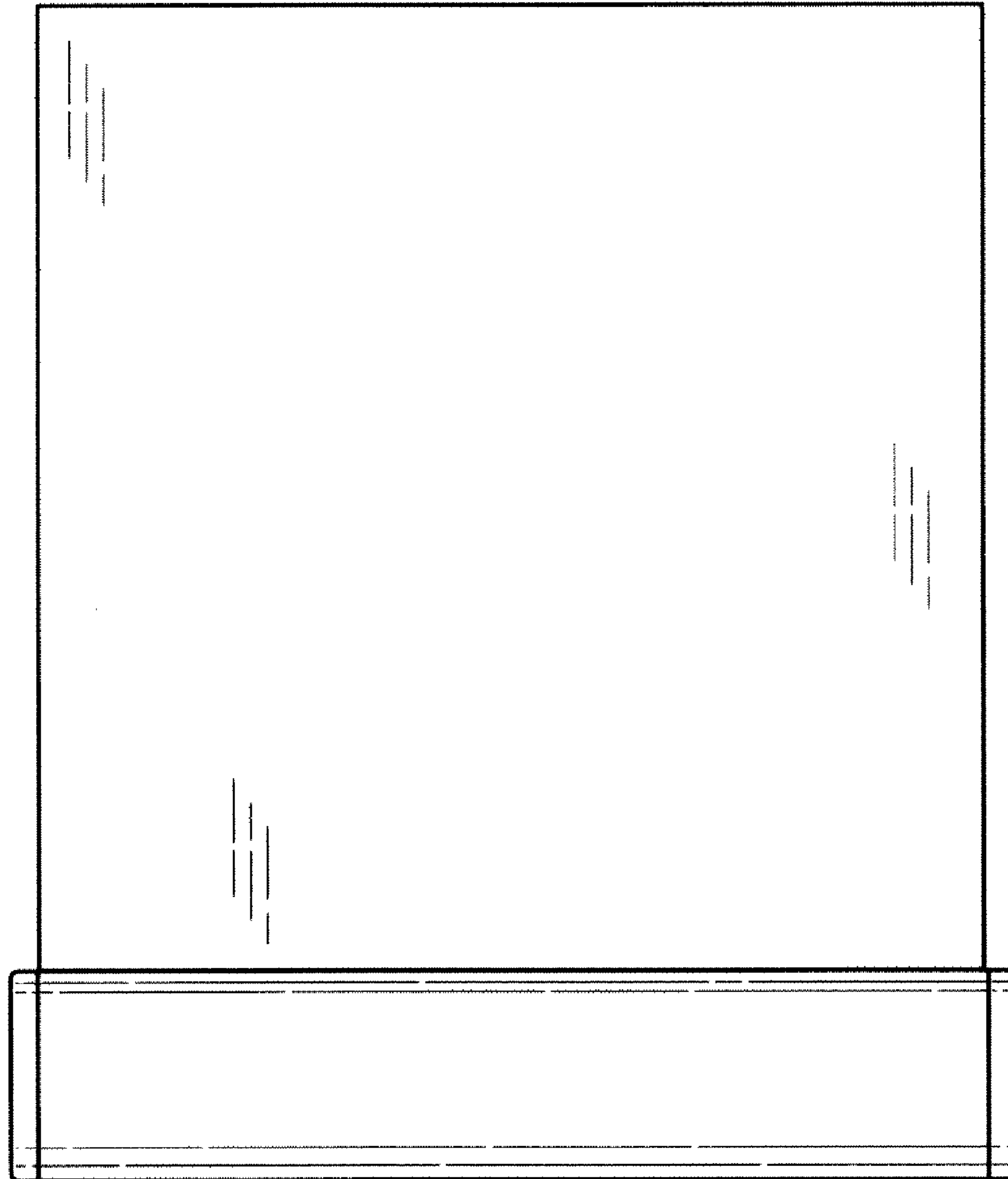


FIG. 9

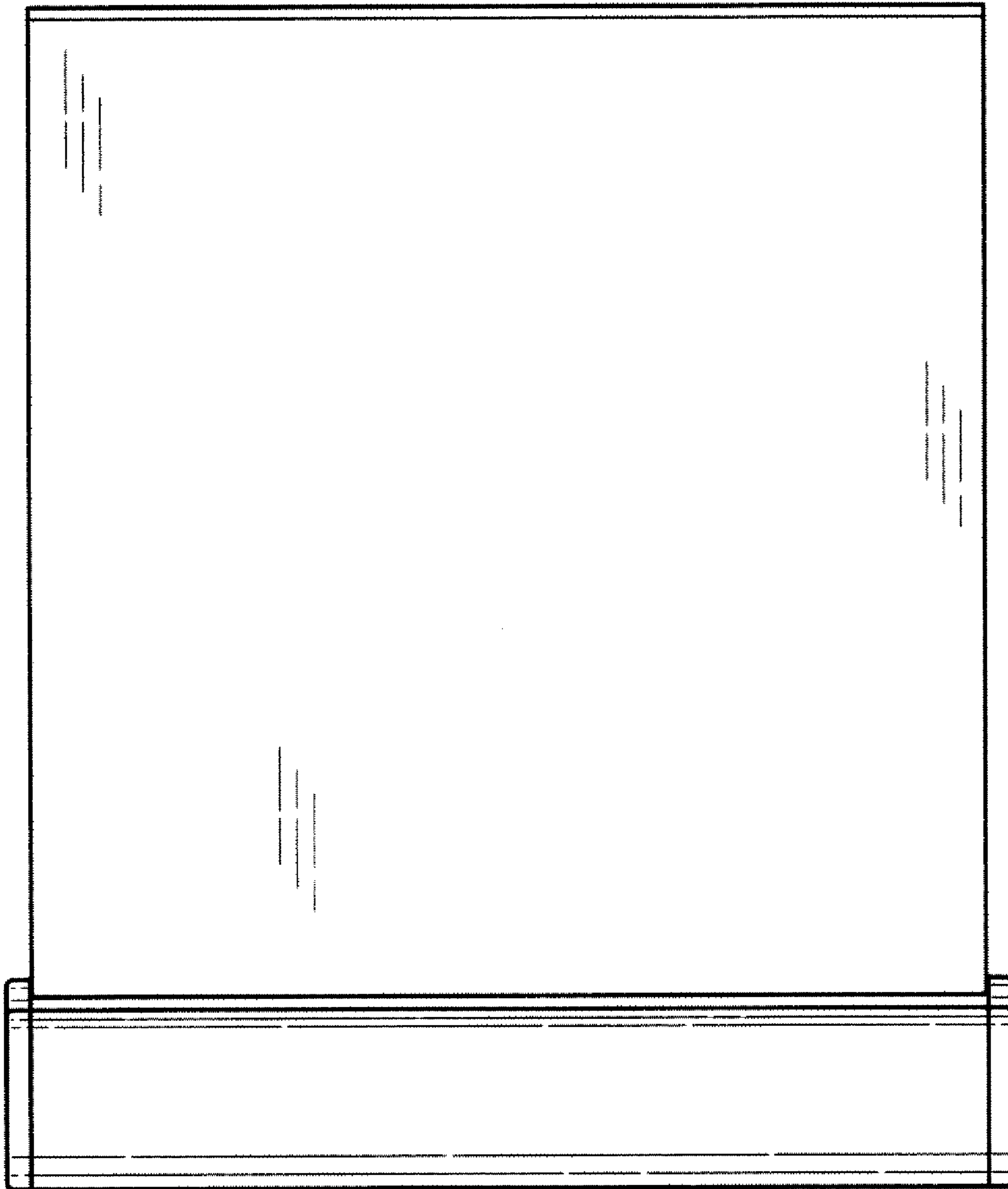


FIG. 10

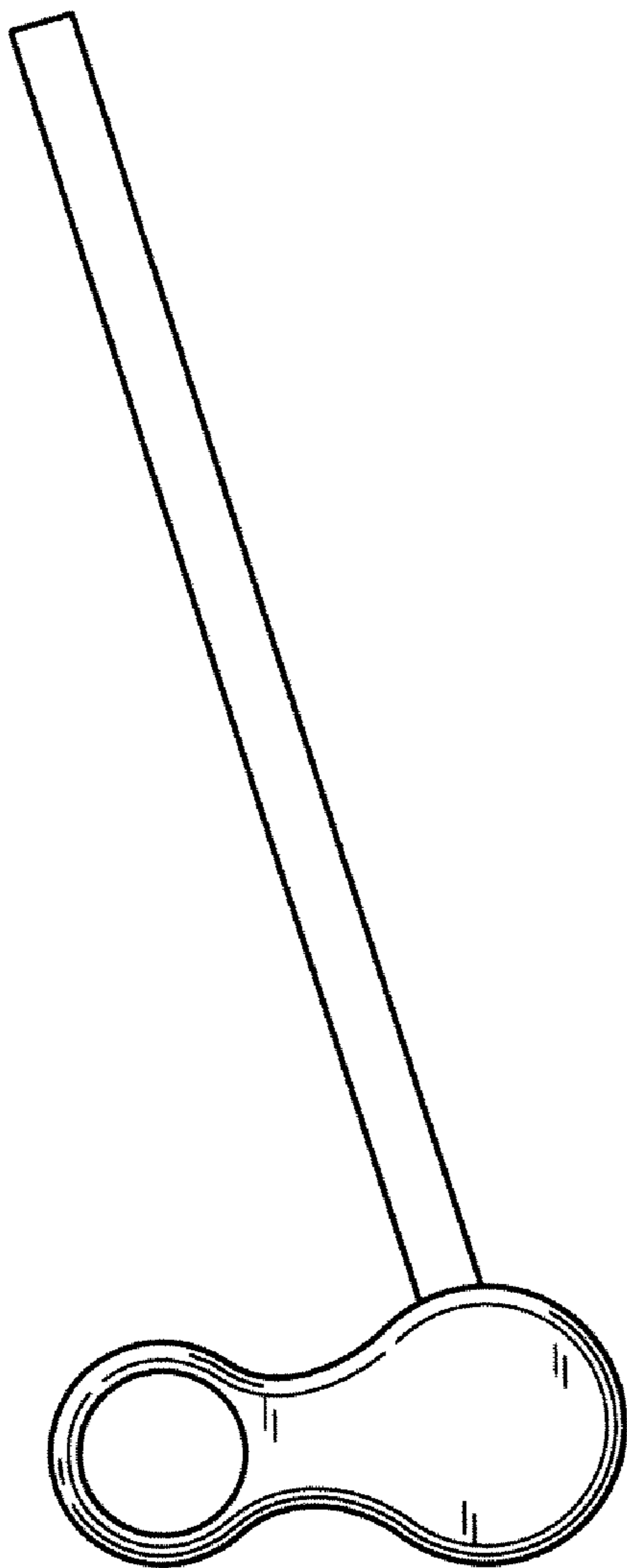


FIG. 11

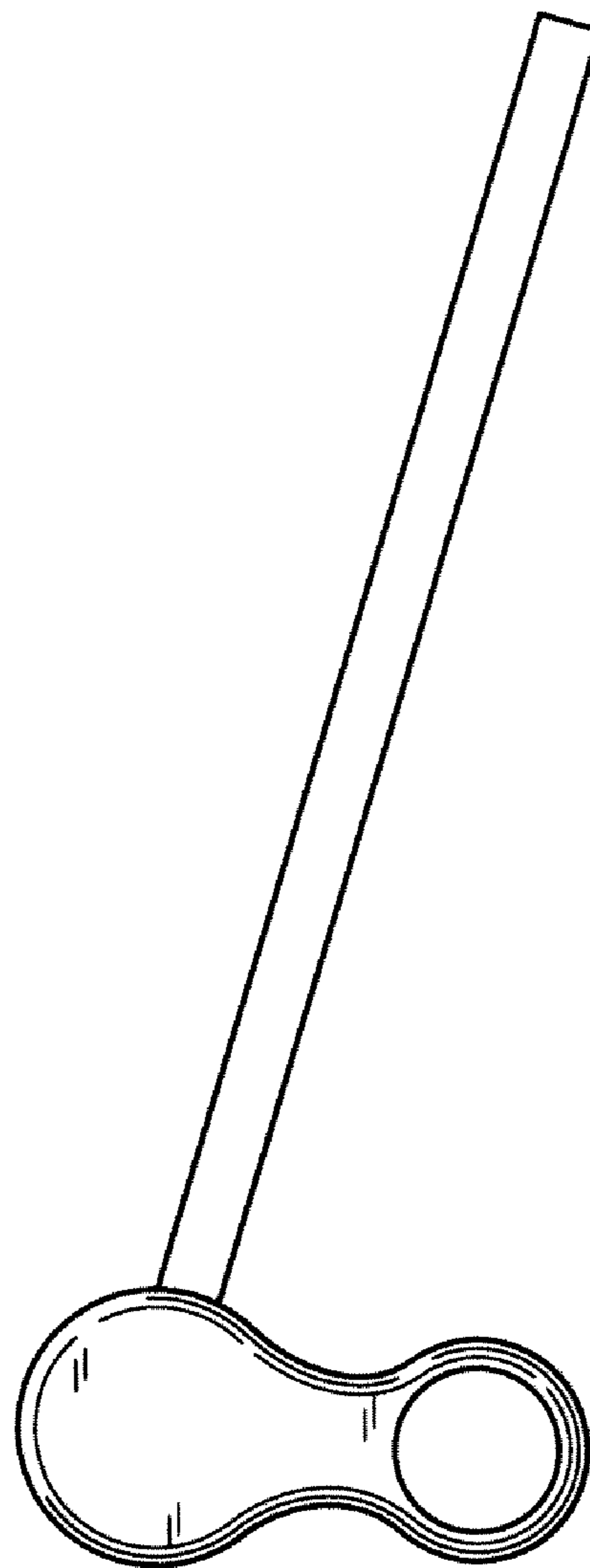


FIG. 12

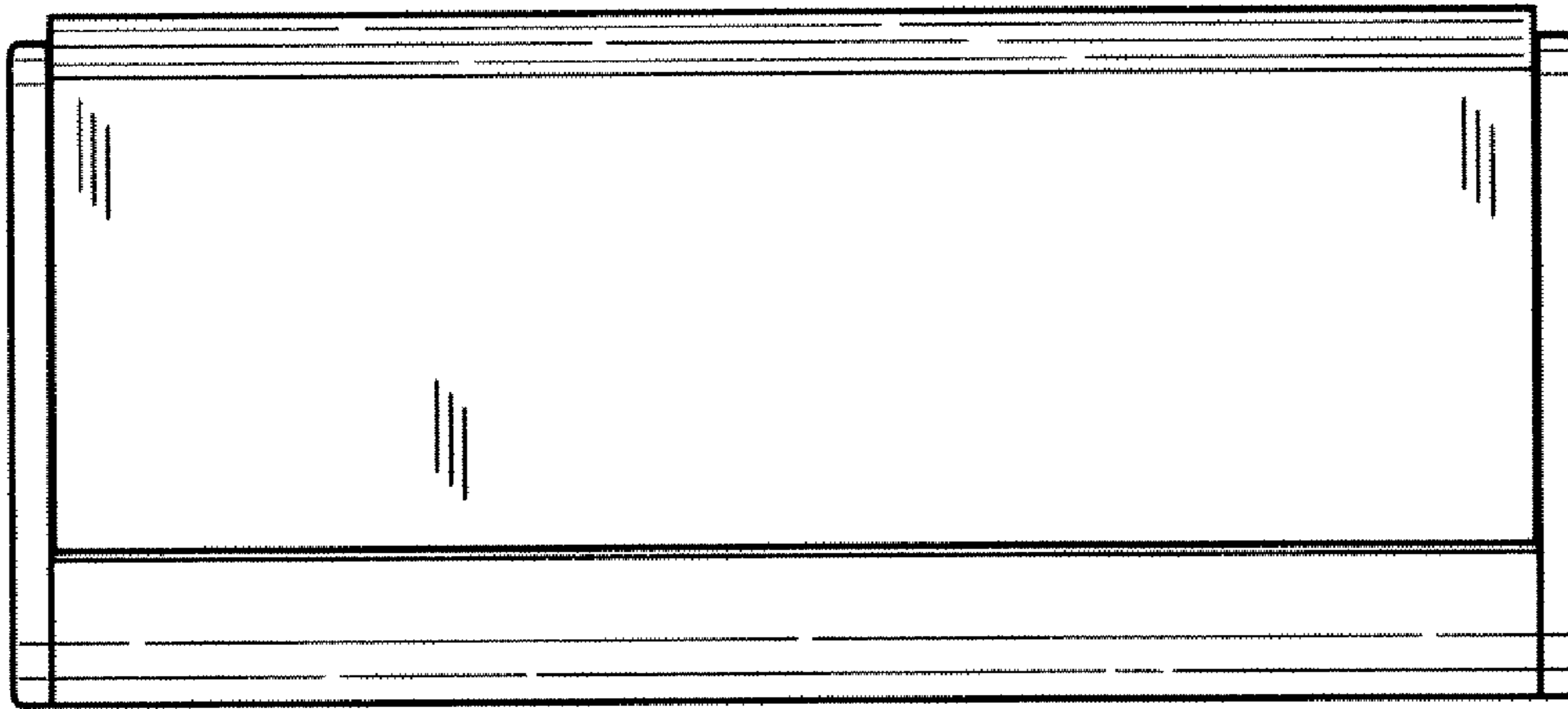


FIG. 13

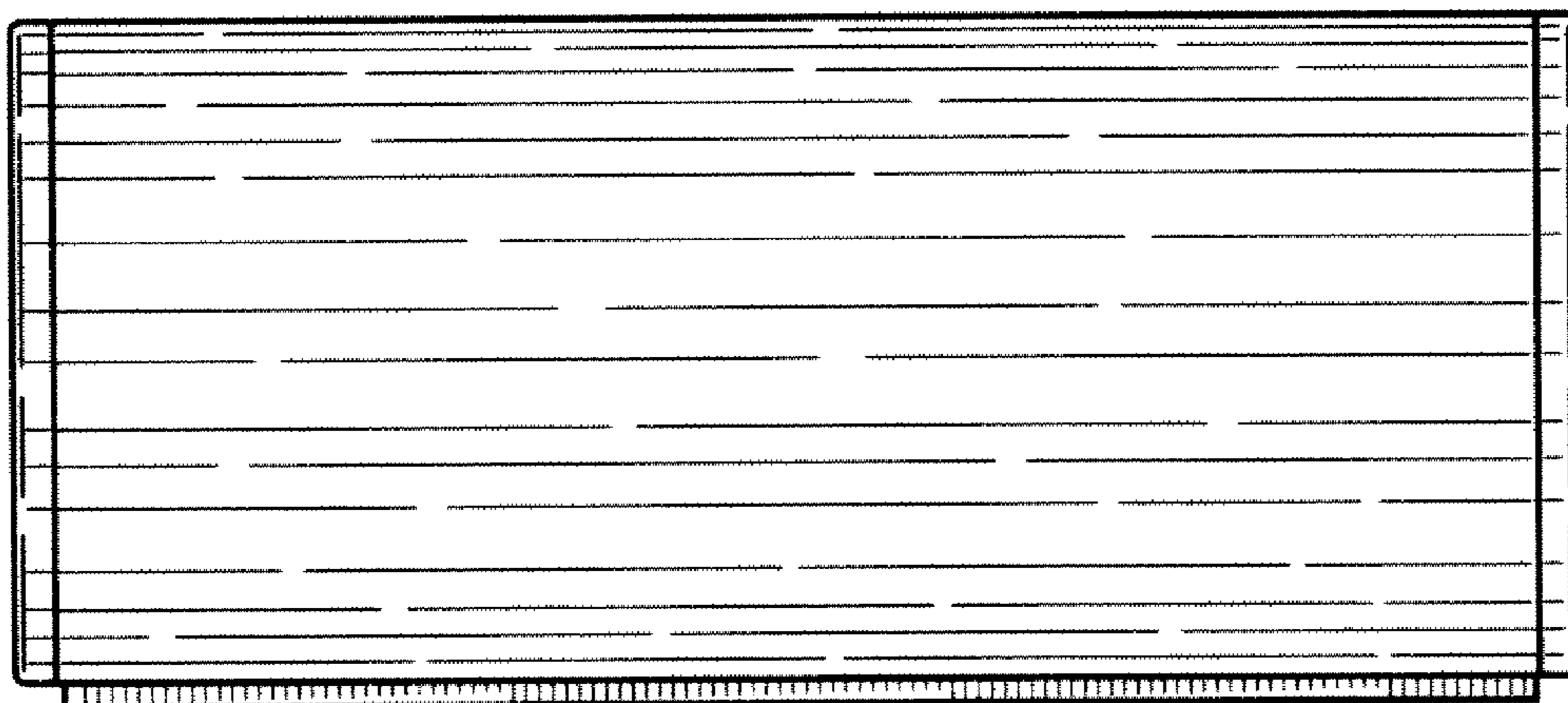


FIG. 14