

US00D566178S

(12) **United States Design Patent**
Qiu et al.

(10) **Patent No.:** **US D566,178 S**

(45) **Date of Patent:** **** Apr. 8, 2008**

(54) **PEN**

WO WO DM/047802 * 5/1999

(75) Inventors: **Zhiming Qiu**, Ningbo (CN);
Chunmiao Ke, Zhejiang (CN)

WO WO DM/053584 * 10/2000

WO WO DM/066269 * 1/2005

(73) Assignee: **Beifa Group Co., Ltd.**, Ningbo (CN)

OTHER PUBLICATIONS

(**) Term: **14 Years**

Qui, Z., et al., U.S. Appl. No. 29/249,930, filed Oct. 26, 2006.

(21) Appl. No.: **29/250,733**

Primary Examiner—Elizabeth A. Albert

Assistant Examiner—Karen E Eldridge Powers

(22) Filed: **Nov. 29, 2006**

(74) *Attorney, Agent, or Firm*—Christensen O'Connor Johnson Kindness PLLC

(30) **Foreign Application Priority Data**

May 29, 2006 (CN) 2006 3 0153200

(57) **CLAIM**

(51) **LOC (8) Cl.** **19-06**

The ornamental design for a pen, as shown and described.

(52) **U.S. Cl.** **D19/50**

(58) **Field of Classification Search** D19/35,
D19/36, 41, 42, 43, 44, 45, 46, 47, 48, 49,
D19/50, 51, 53, 54, 55, 56, 57; 24/11 R,
24/11 F, 11 P; 401/6, 52, 99, 100, 104, 105,
401/106, 107, 108, 109, 192, 195, 196, 243,
401/244, 245, 246, 247

See application file for complete search history.

DESCRIPTION

FIG. 1 is a front left perspective view of a pen showing our new design;

FIG. 2 is a rear right perspective view of the pen shown in FIG. 1 with the pen cap removed and placed on the opposite end of the pen;

FIG. 3 is a left side elevation view of the pen shown in FIG. 1;

FIG. 4 is a top plan view thereof;

FIG. 5 is a front elevation view thereof;

FIG. 6 is a right side elevation view thereof;

FIG. 7 is a bottom plan view thereof;

FIG. 8 is a rear elevation view thereof; and,

FIG. 9 is an exploded front right perspective view thereof.

The stippled shading shown on a portion of the pen in FIGS. 2 and 9 represents a surface texture.

(56) **References Cited**

U.S. PATENT DOCUMENTS

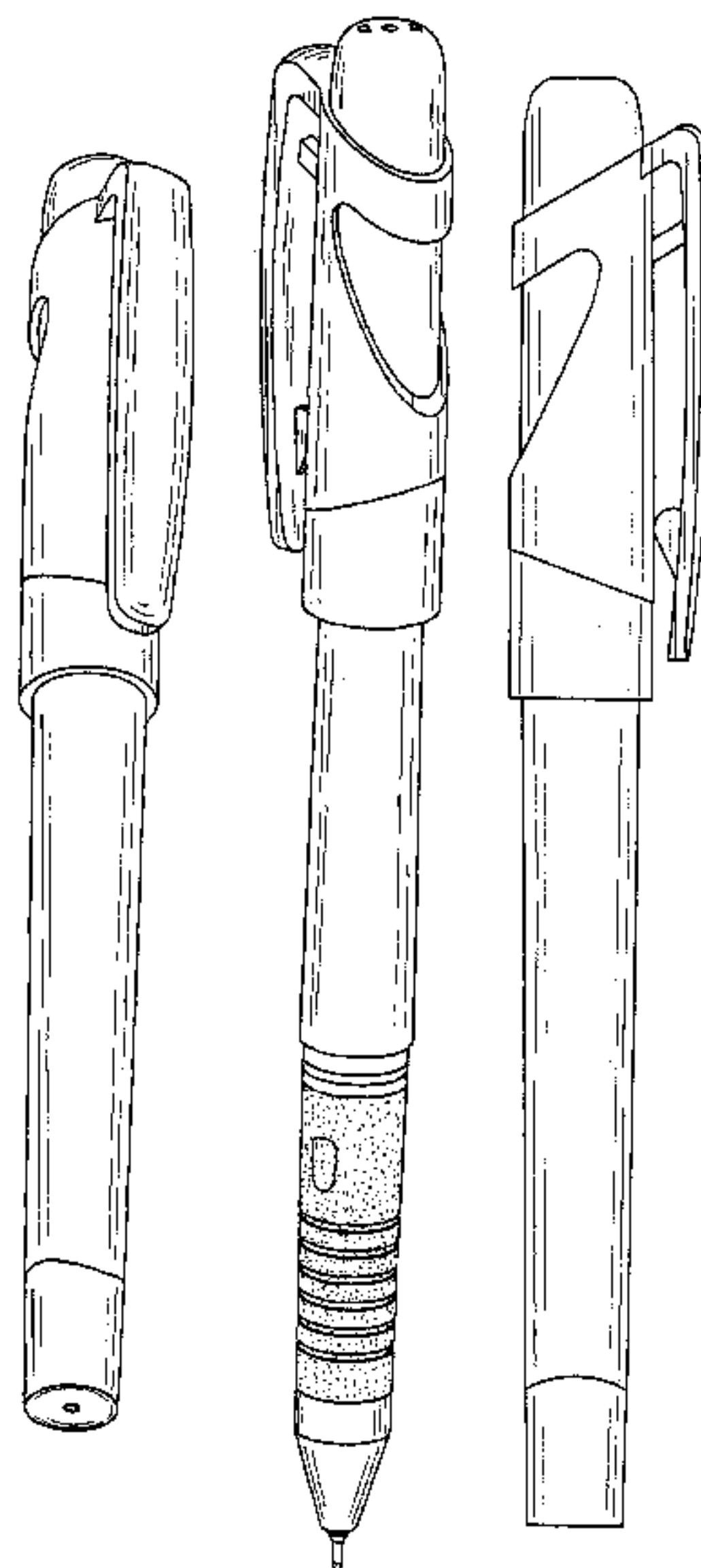
- D80,585 S * 2/1930 Thomas et al. D10/46.1
- D150,647 S * 8/1948 Pearl D19/36
- D184,179 S * 12/1958 Le Normand D8/104
- 3,288,114 A * 11/1966 Ritter 401/104
- 4,991,988 A * 2/1991 Snell et al. 401/111
- D340,947 S 11/1993 Tu
- D363,739 S * 10/1995 Petrillo D19/48
- D389,131 S * 1/1998 Nagaoka D14/431

(Continued)

FOREIGN PATENT DOCUMENTS

CN 9700171.7 * 6/1997

1 Claim, 4 Drawing Sheets



US D566,178 S

Page 2

U.S. PATENT DOCUMENTS

D391,153 S	2/1998	Poisson		D484,537 S *	12/2003	Arita et al.	D19/43
D398,642 S *	9/1998	Avenatti	D19/48	D496,961 S *	10/2004	Daida	D19/43
5,803,637 A *	9/1998	Mitsuya	401/52	D496,962 S *	10/2004	Bonnamour	D19/48
D408,853 S *	4/1999	Hornsby et al.	D19/36	D499,138 S *	11/2004	Banderet	D19/43
D409,657 S *	5/1999	Veillon et al.	D19/43	D500,792 S *	1/2005	Bain et al.	D19/48
D418,870 S *	1/2000	Polidoro	D19/43	D501,881 S	2/2005	Shimizu	
D421,771 S *	3/2000	Avenatti	D19/48	D505,977 S *	6/2005	Koreska	D19/53
D440,602 S *	4/2001	Ikeda	D19/48	D526,022 S	8/2006	Qiu	
D442,636 S *	5/2001	Kobayashi	D19/43	D532,821 S *	11/2006	Banderet	D19/51
D457,185 S *	5/2002	Ham	D19/36	D540,384 S *	4/2007	Qiu	D19/43
D460,485 S *	7/2002	Keda	D19/43	D546,880 S *	7/2007	Slemp	D19/48
D472,272 S *	3/2003	Koury et al.	D19/57	D548,787 S *	8/2007	Slemp	D19/48
D472,576 S	4/2003	Koury		D552,676 S *	10/2007	Tien	D19/48
6,623,136 B1 *	9/2003	Kuo	362/118	D557,741 S *	12/2007	Lecce	D19/48

* cited by examiner

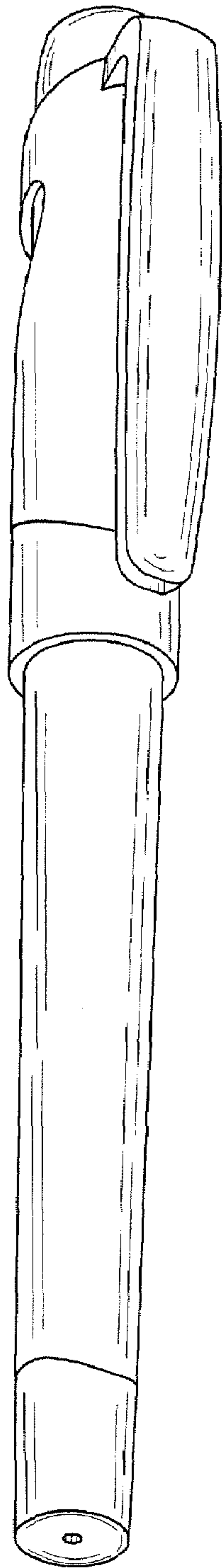


Fig. 1.

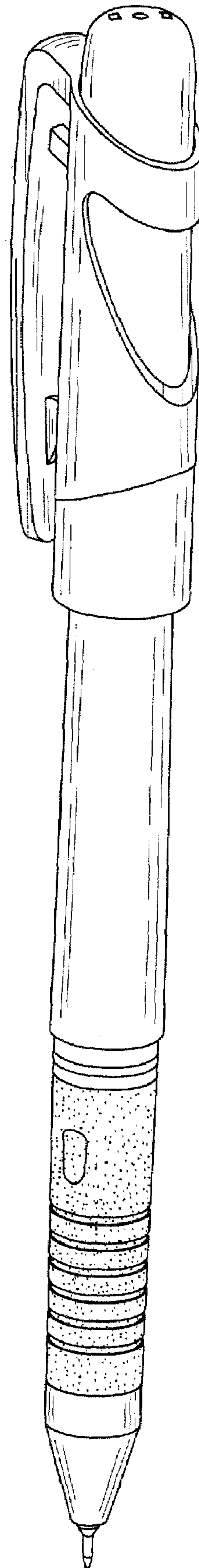


Fig. 2.

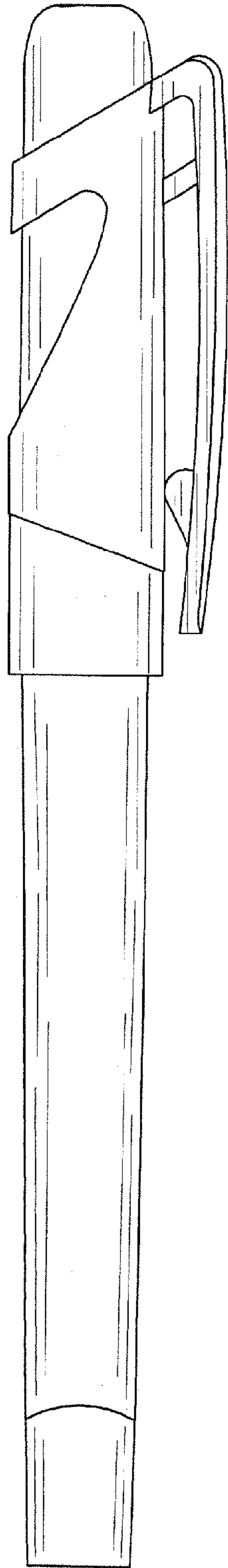


Fig. 3.

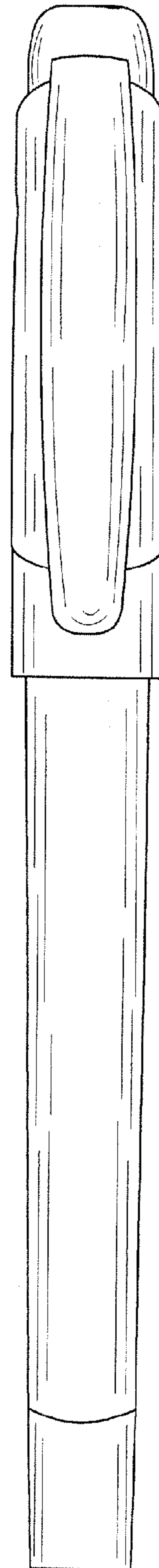


Fig. 5.

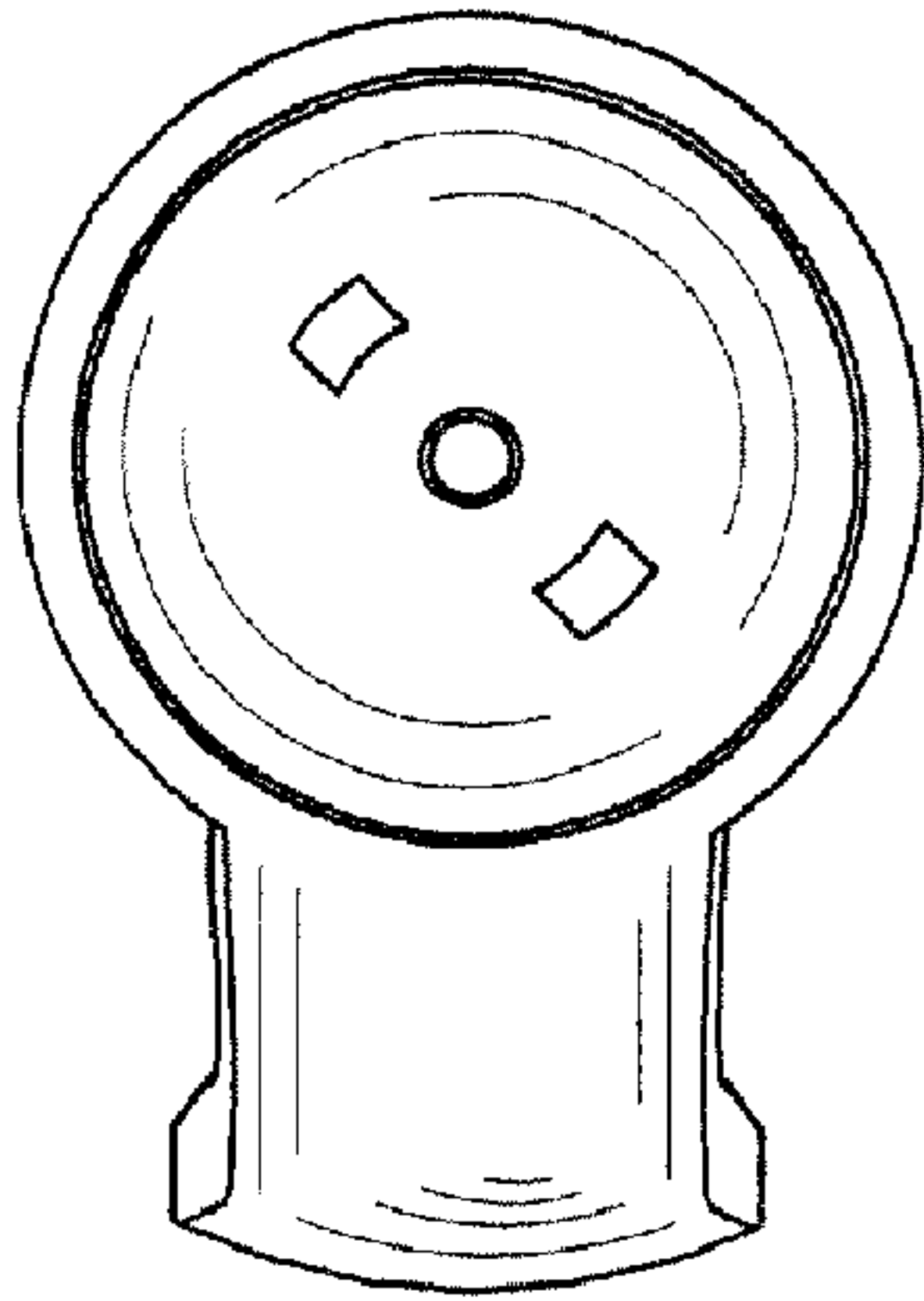


Fig. 4.

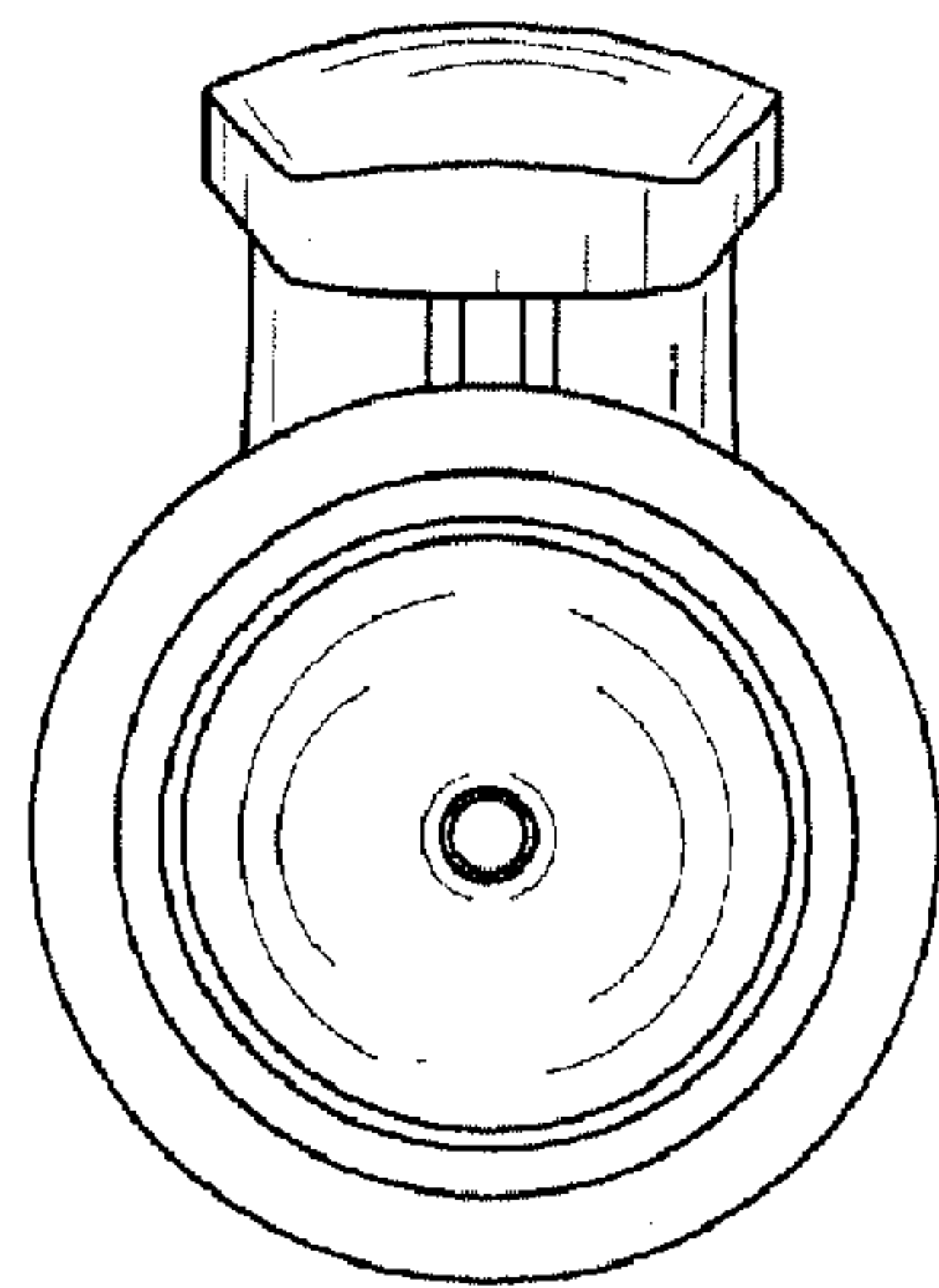


Fig. 7.

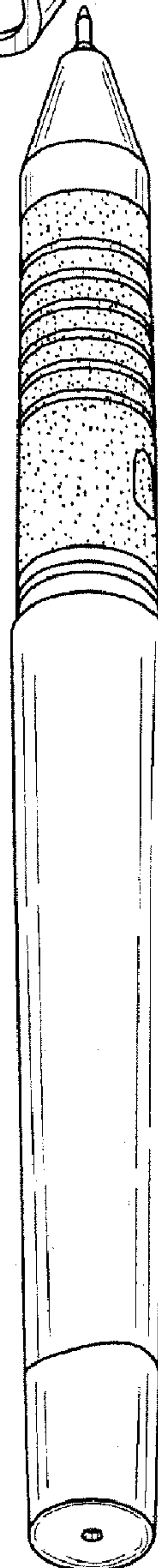
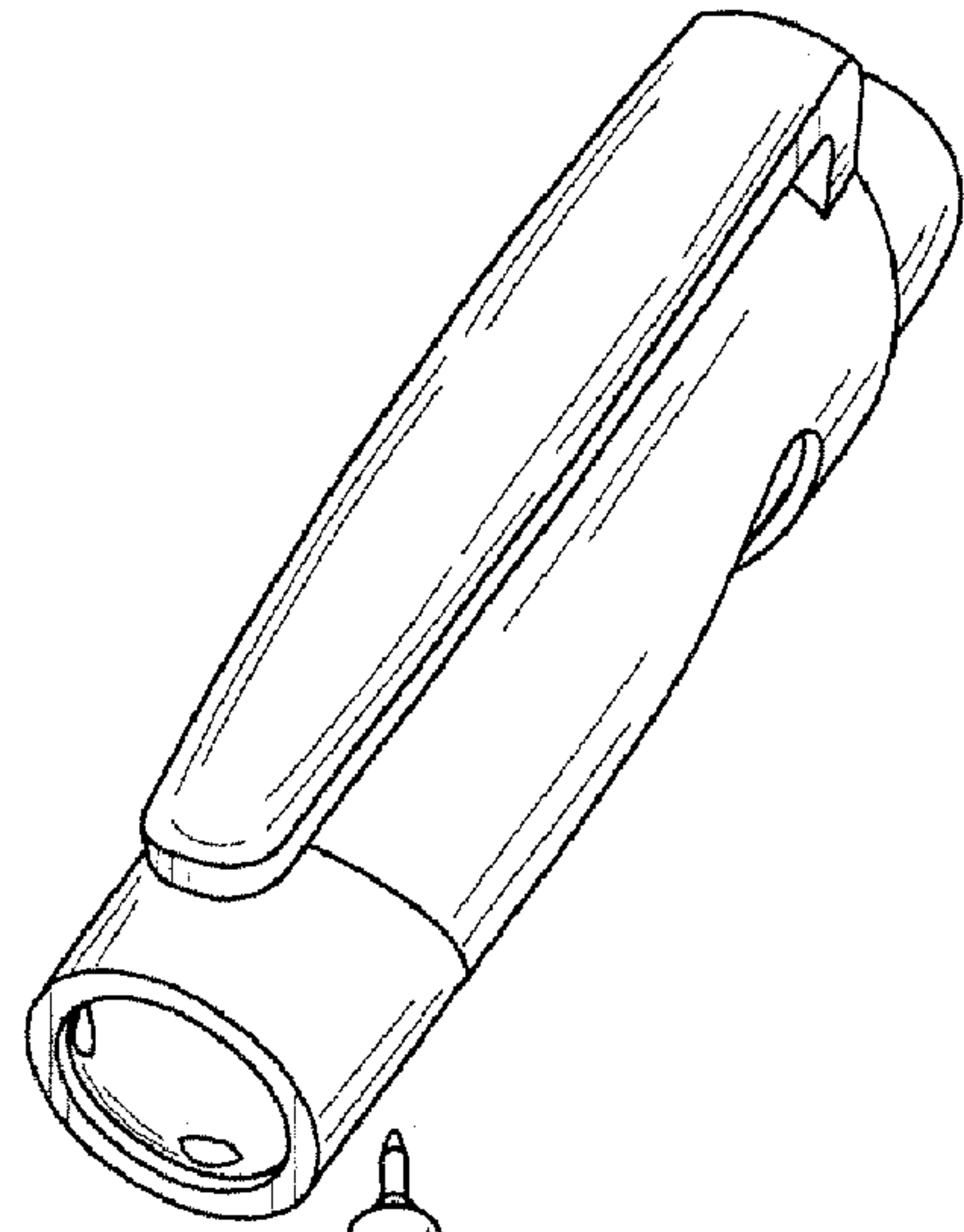


Fig. 9.

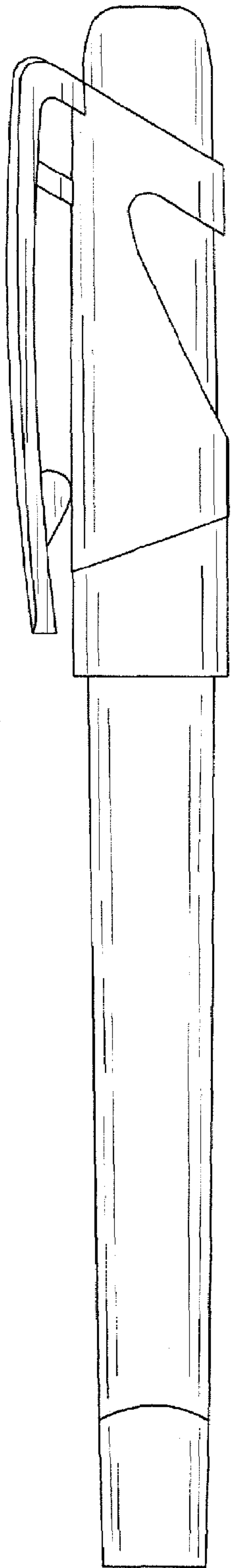


Fig. 6.

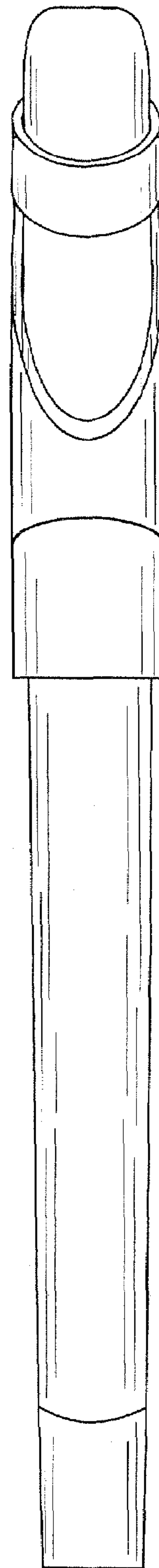


Fig. 8.

UNITED STATES PATENT AND TRADEMARK OFFICE
CERTIFICATE OF CORRECTION

PATENT NO. : Des. 566,178 S
APPLICATION NO. : 29/250733
DATED : April 8, 2008
INVENTOR(S) : Z. Qiu et al.

Page 1 of 1

It is certified that error appears in the above-identified patent and that said Letters Patent is hereby corrected as shown below:

Title Page;

<u>COLUMN</u>	<u>LINE</u>	<u>ERROR</u>
(30) Pg. 1, col. 1	Foreign App. Priority Data	“2006 3 0153200” should read --2006 3 0153200.7--
Pg. 1, col. 2	Assist. Examiner	“Karen E Eldridge Powers” should read --Karen E. Eldridge Powers--

Signed and Sealed this

Twelfth Day of May, 2009



JOHN DOLL
Acting Director of the United States Patent and Trademark Office