



US00D566173S

(12) **United States Design Patent**
Roismann

(10) **Patent No.:** **US D566,173 S**

(45) **Date of Patent:** **** Apr. 8, 2008**

(54) **CASE FOR STORING WRITING MATERIALS**

(75) Inventor: **Marcos Roismann**, São Paulo (BR)

(73) Assignee: **A.W. Faber-Castell S.A.**, Sao Carlos (BR)

(**) Term: **14 Years**

(21) Appl. No.: **29/255,832**

(22) Filed: **Mar. 14, 2006**

(30) **Foreign Application Priority Data**

Sep. 28, 2005 (BR) DI6503627

(51) **LOC (8) Cl.** **19-06**

(52) **U.S. Cl.** **D19/36; D3/206**

(58) **Field of Classification Search** D3/206,
D3/294, 295, 298, 319, 905; D9/418; D19/35,
D19/36, 54, 77-85; 24/10 R, 11 CT; 206/214,
206/223, 224, 371, 372, 373, 575
See application file for complete search history.

(56) **References Cited**

U.S. PATENT DOCUMENTS

520,943	A *	6/1894	Stiefelhagen	206/564
873,421	A *	12/1907	Fleming	211/69.9
1,130,811	A *	3/1915	Goldsmith	206/45.2
1,446,741	A *	2/1923	Faber	206/486
D90,769	S *	9/1933	Kamen	D19/36
D153,069	S *	3/1949	Linneman	D3/295
D223,652	S *	5/1972	Jaffe	D3/295
D250,553	S *	12/1978	Myhre	D3/295
D279,583	S *	7/1985	Hall	D19/77
D315,446	S *	3/1991	Dietterich et al.	D3/206
5,067,611	A *	11/1991	Hagmann et al.	206/383
D332,468	S *	1/1993	Tarozzi	D3/206
D338,496	S *	8/1993	Tarozzi	D19/85
5,234,108	A *	8/1993	Jorgensen	206/575
5,248,030	A *	9/1993	Tarozzi	206/1.7
D400,435	S *	11/1998	Appelbaum	D9/415
D434,647	S *	12/2000	Appelbaum et al.	D9/415
6,273,254	B1 *	8/2001	Smith	206/371
D481,533	S *	11/2003	McGillivray et al.	D3/206

6,681,933	B1 *	1/2004	Demsien et al.	206/371
6,913,143	B2 *	7/2005	Yang	206/371
D523,244	S *	6/2006	Peterson	D3/295
D538,032	S *	3/2007	Rosen et al.	D3/206
2003/0192808	A1 *	10/2003	Clarizio et al.	206/575
2005/0098509	A1 *	5/2005	Benn	211/11

* cited by examiner

Primary Examiner—Elizabeth A. Albert

(74) *Attorney, Agent, or Firm*—Finnegan, Henderson, Farabow, Garrett & Dunner, L.L.P.

(57) **CLAIM**

The ornamental design for a case for storing writing materials, as shown and described.

DESCRIPTION

FIG. 1 is a front perspective view of a case for storing writing materials in a closed position showing my new design:

FIG. 2 is a rear perspective view of FIG. 1:

FIG. 3 is a front view of FIG. 1;

FIG. 4 is a left side view of FIG. 1;

FIG. 5 is a right side view of FIG. 1:

FIG. 6 is a bottom view of FIG. 1:

FIG. 7 is a top view of FIG. 1;

FIG. 8 is a rear view of FIG. 1;

FIG. 9 is a front perspective view of the case for storing writing materials of FIG. 1 in an open position;

FIG. 10 is a rear perspective view of FIG. 9:

FIG. 11 is a front view of FIG. 9;

FIG. 12 is a left side view of FIG. 9;

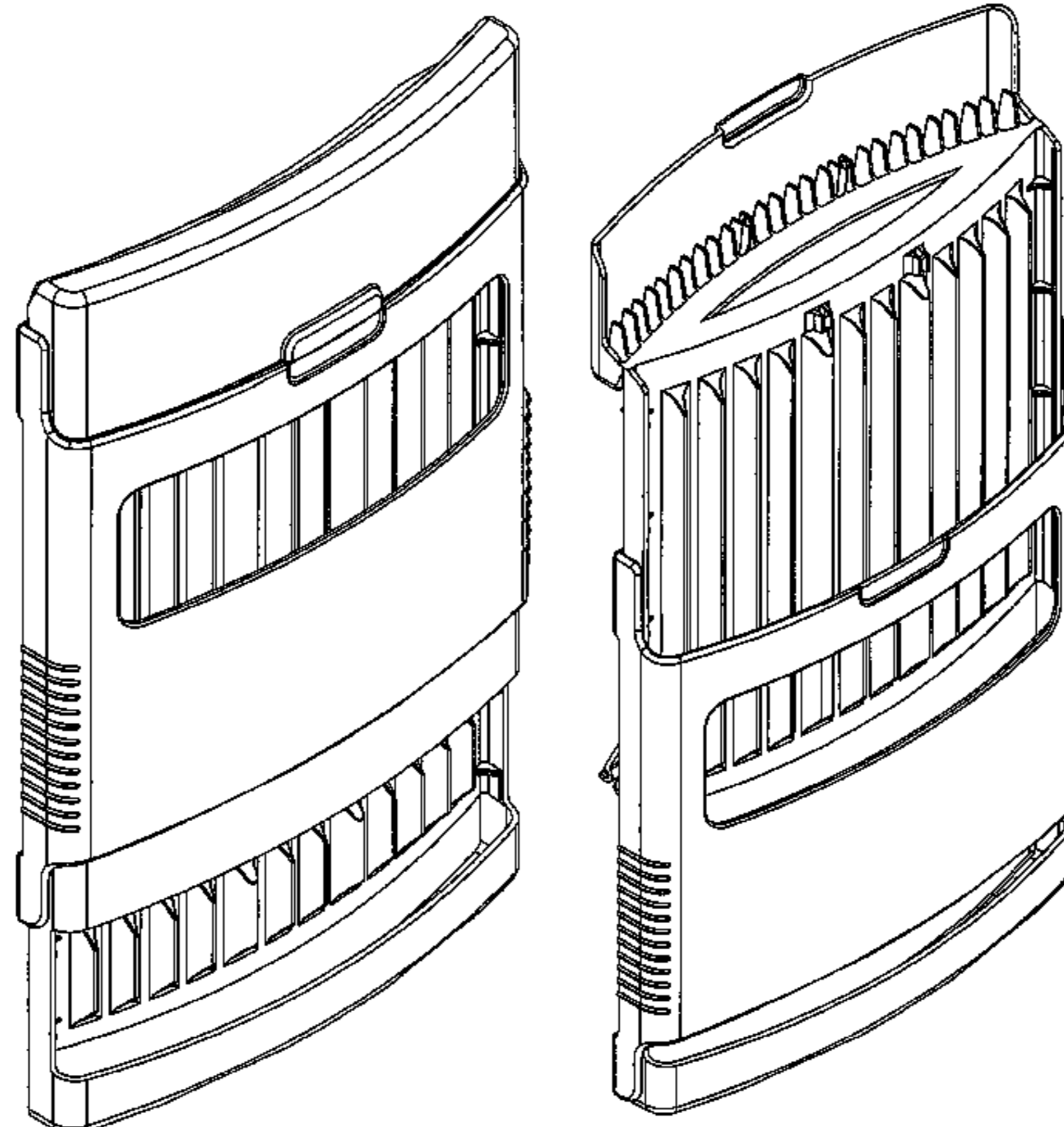
FIG. 13 is a right side view of FIG. 9;

FIG. 14 is a bottom view of FIG. 9;

FIG. 15 is a top view of FIG. 9; and,

FIG. 16 is a rear view of FIG. 9.

1 Claim, 16 Drawing Sheets



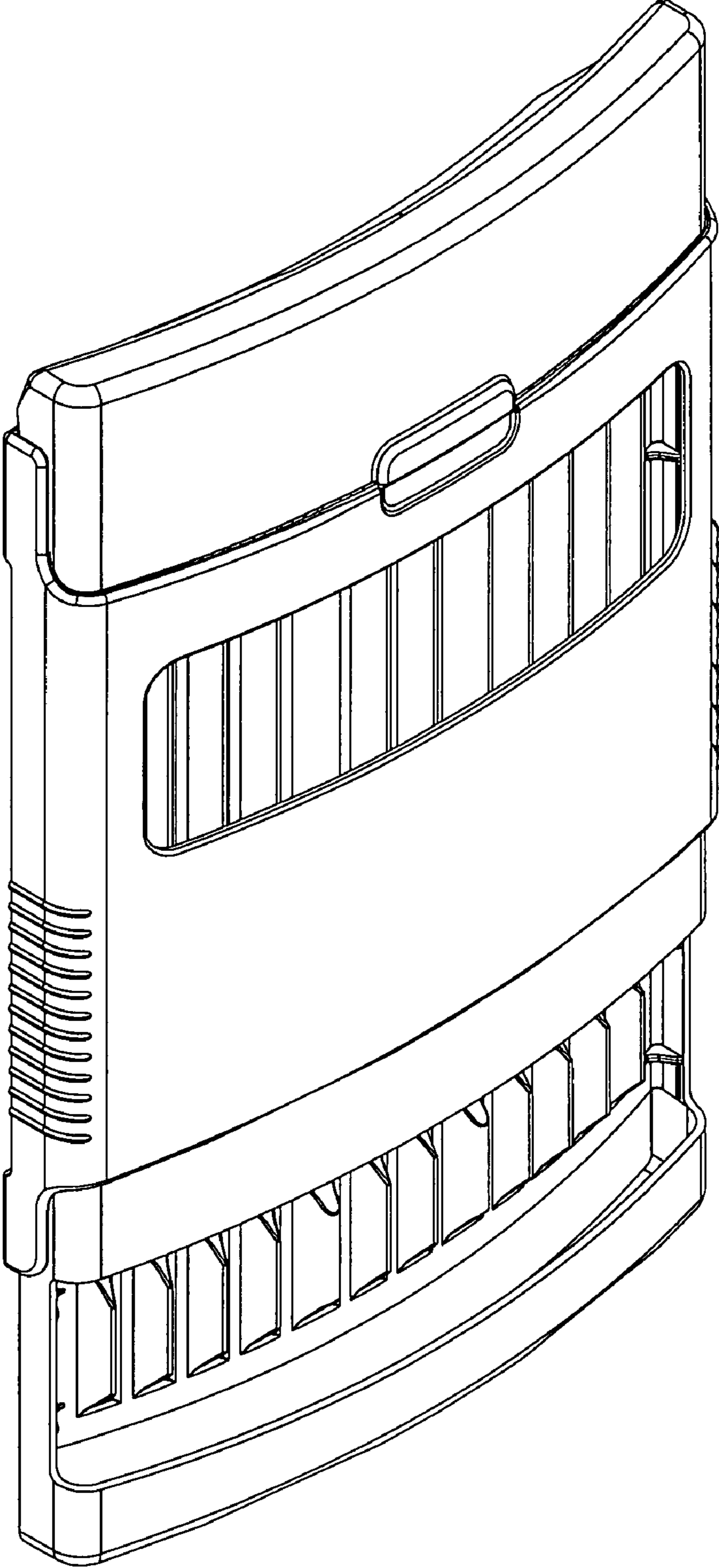


Fig. 1

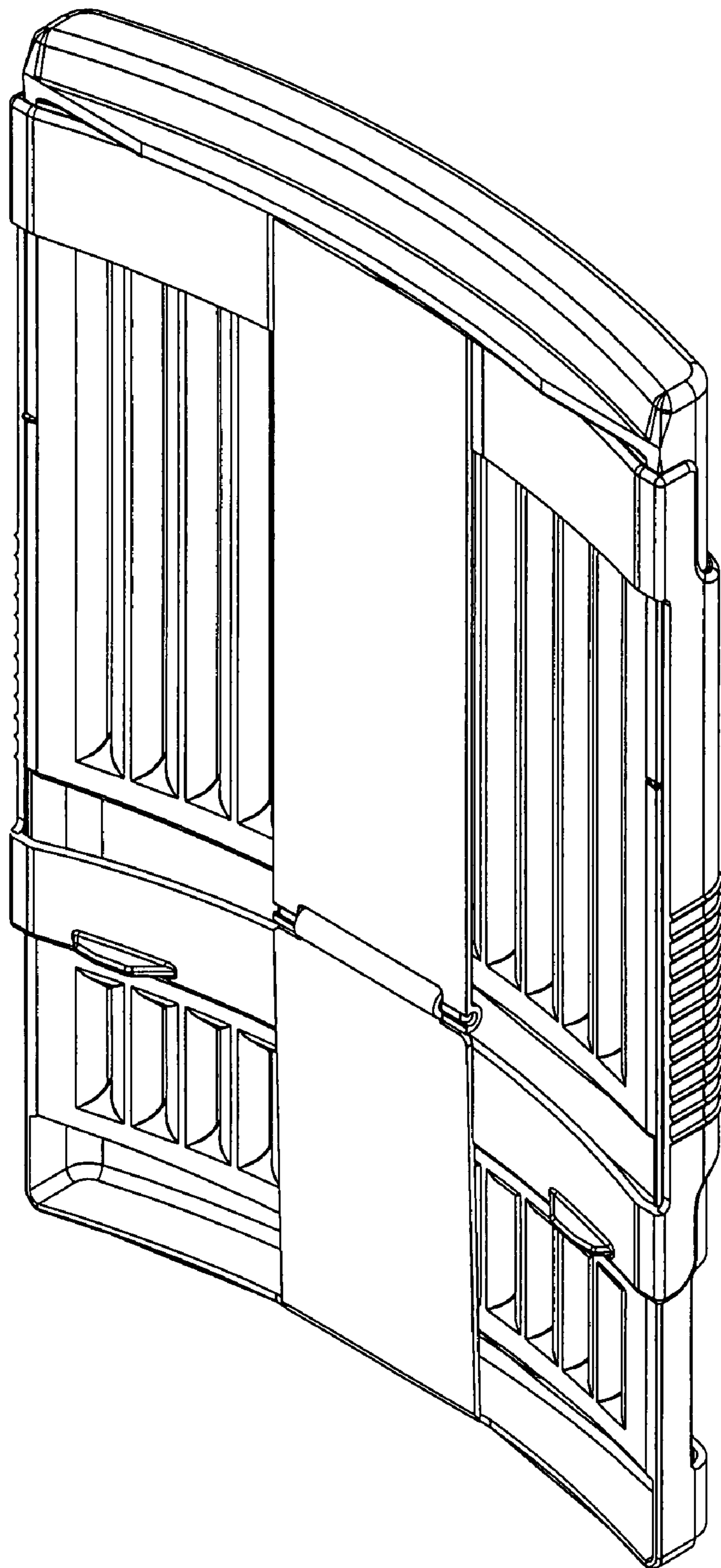


Fig. 2

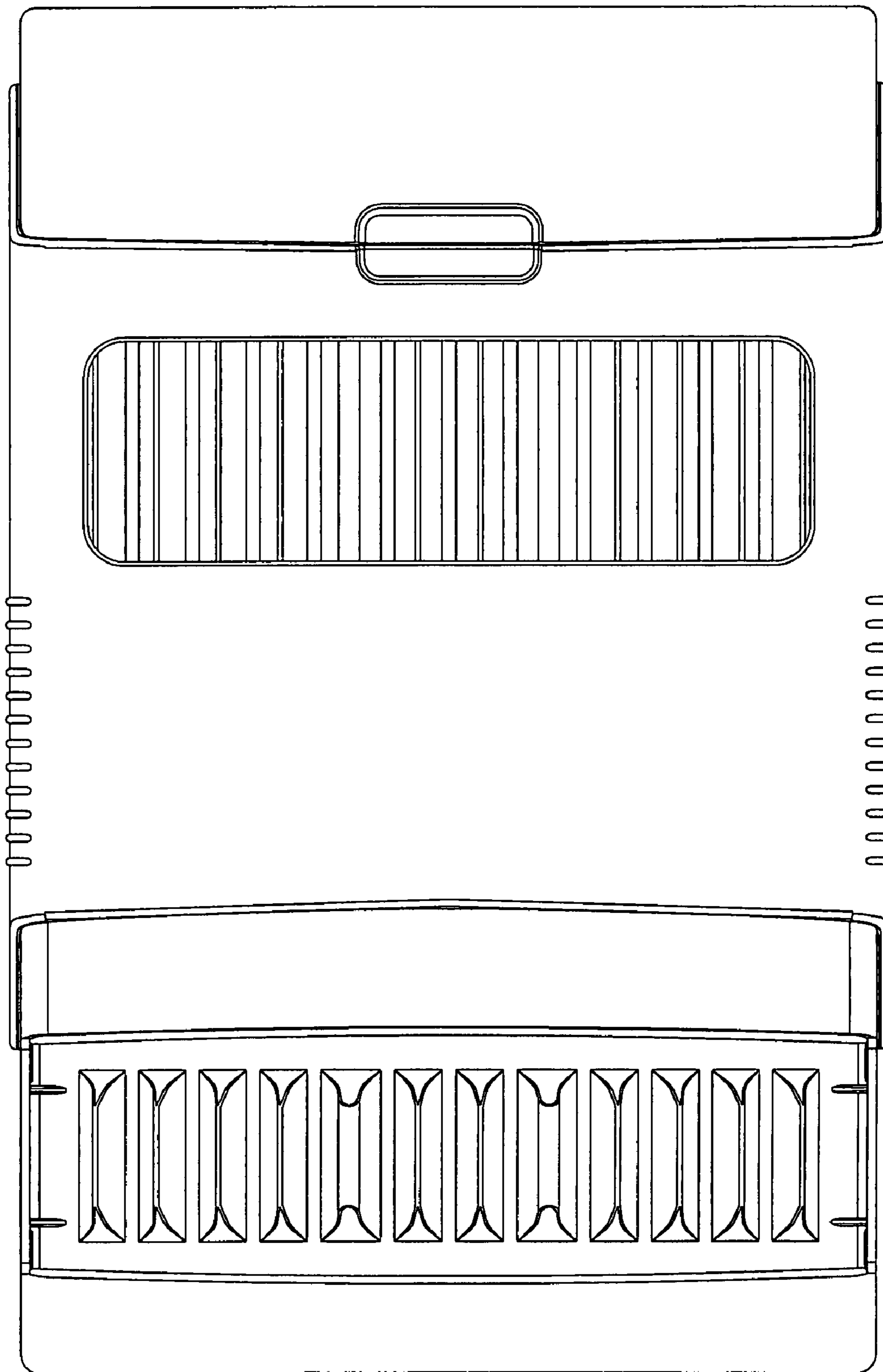


Fig. 3

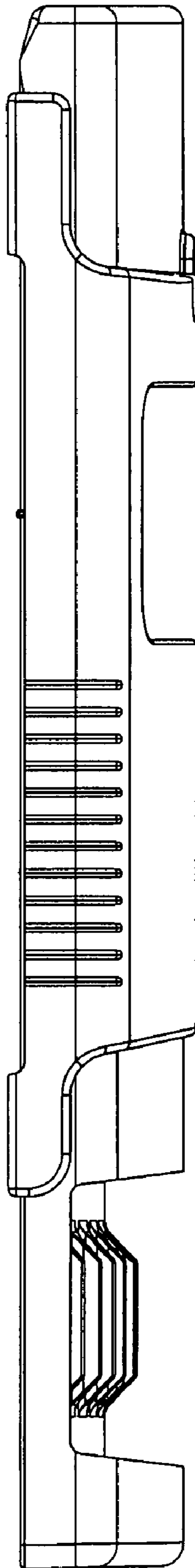


Fig. 4

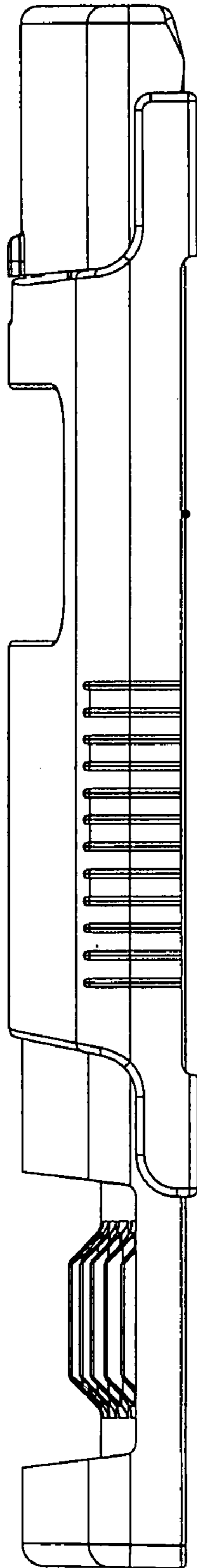


Fig. 5

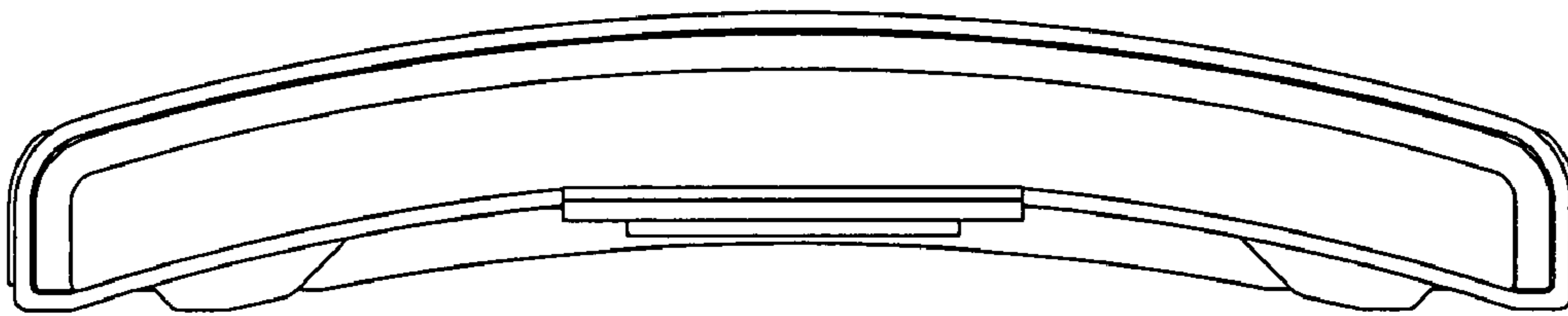


Fig. 6

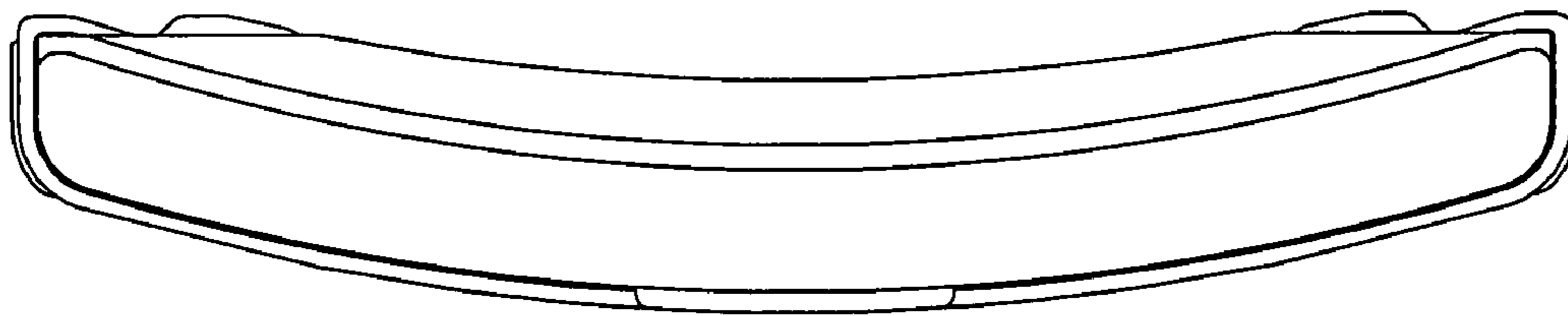


Fig. 7

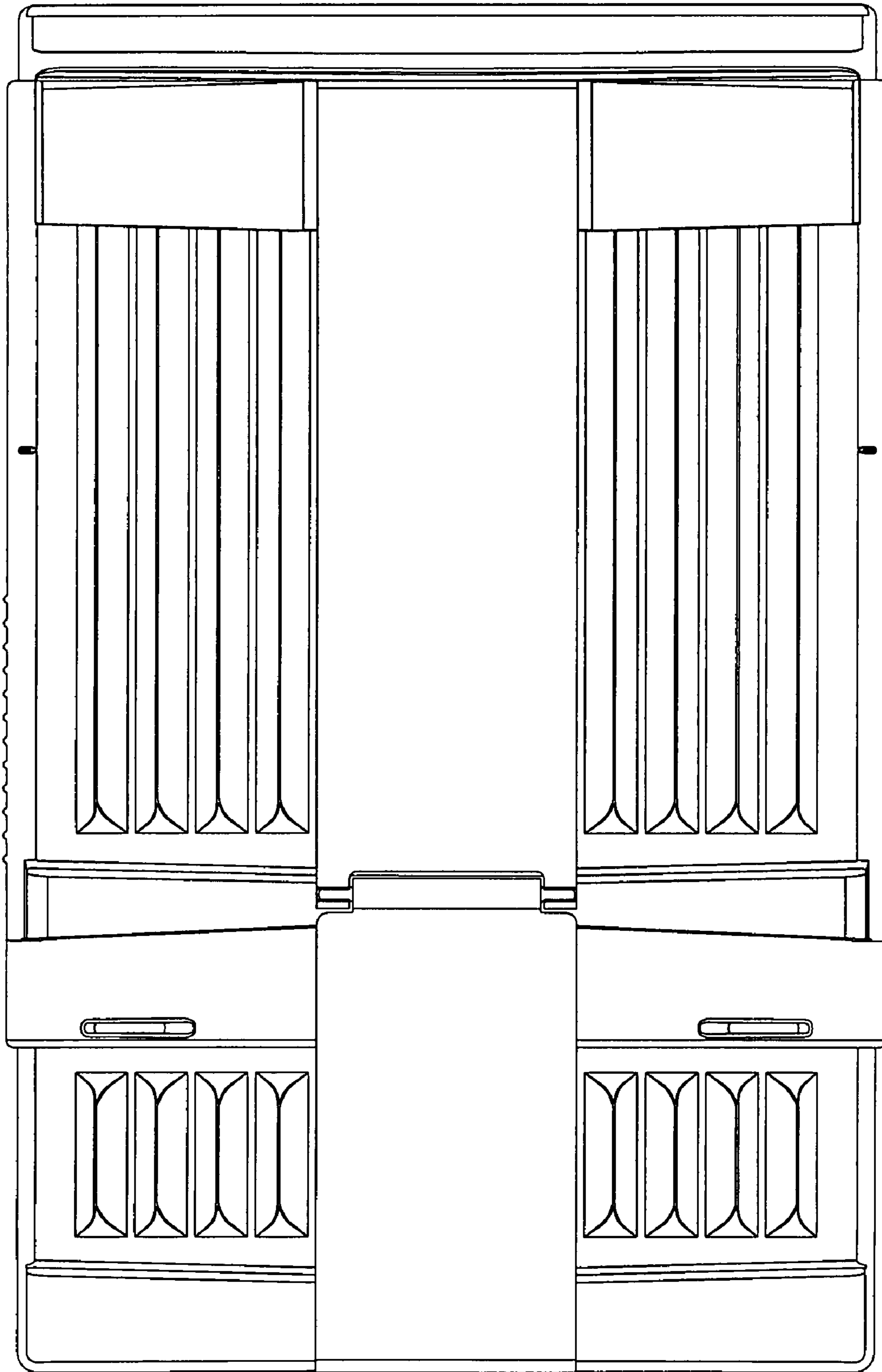


Fig. 8

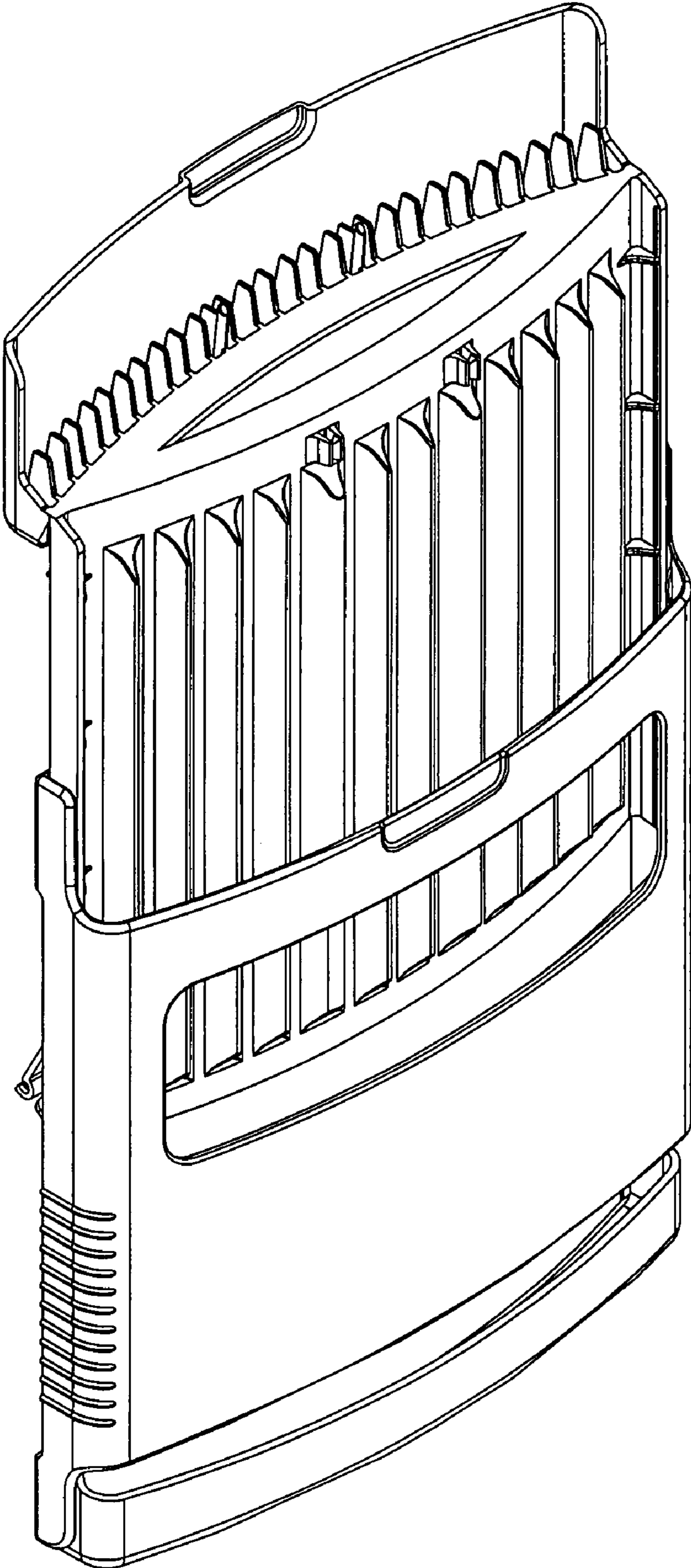


Fig. 9

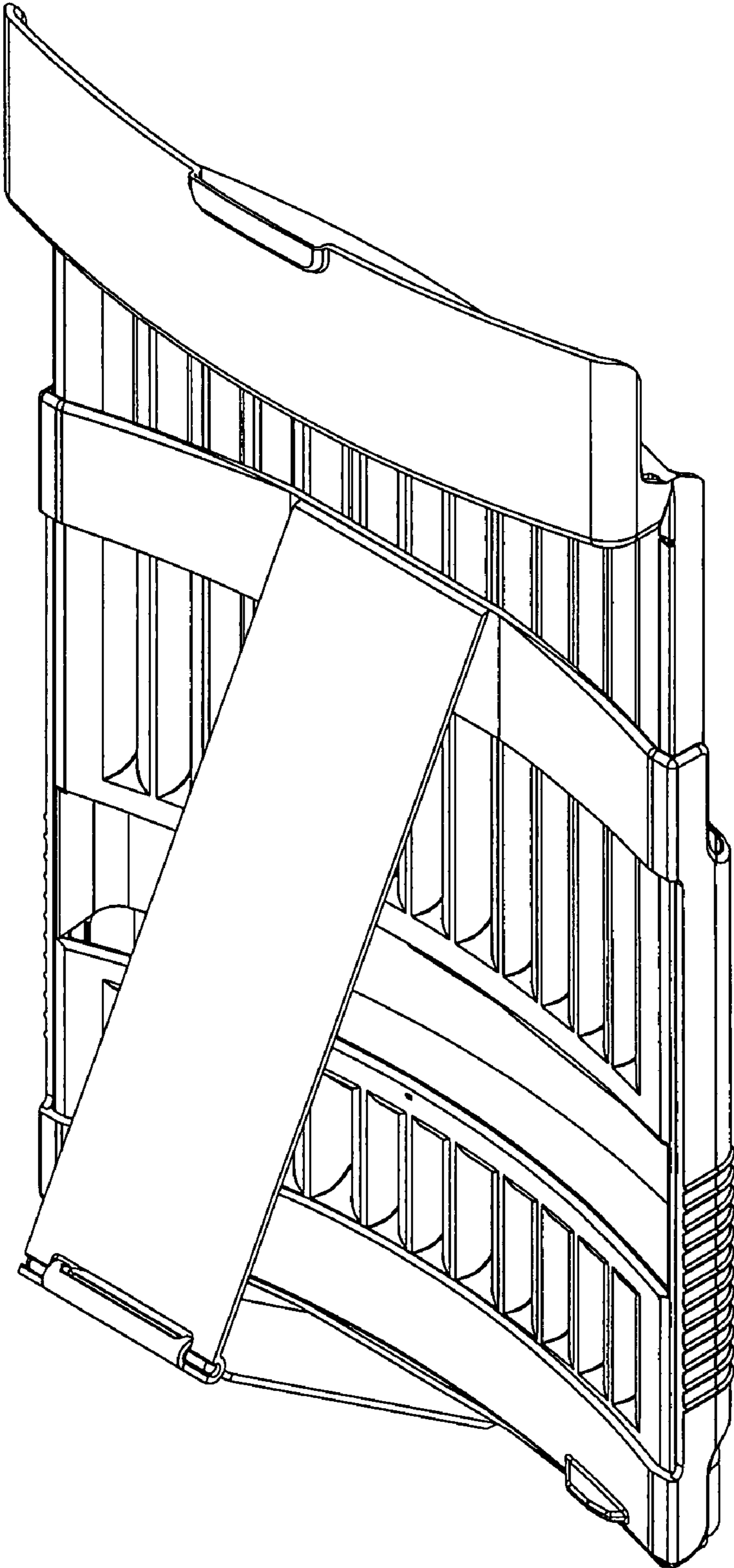


Fig. 10

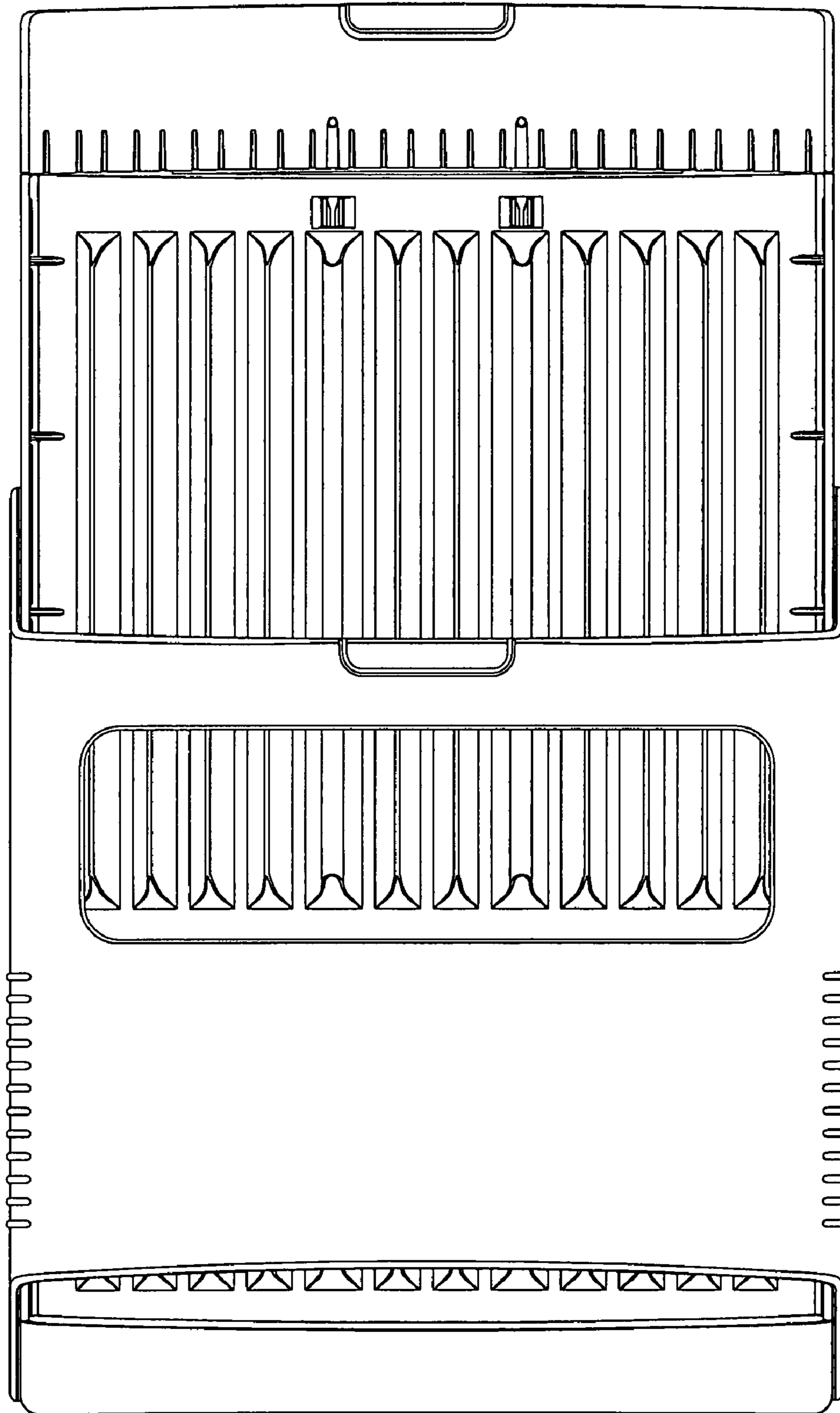


Fig. 11

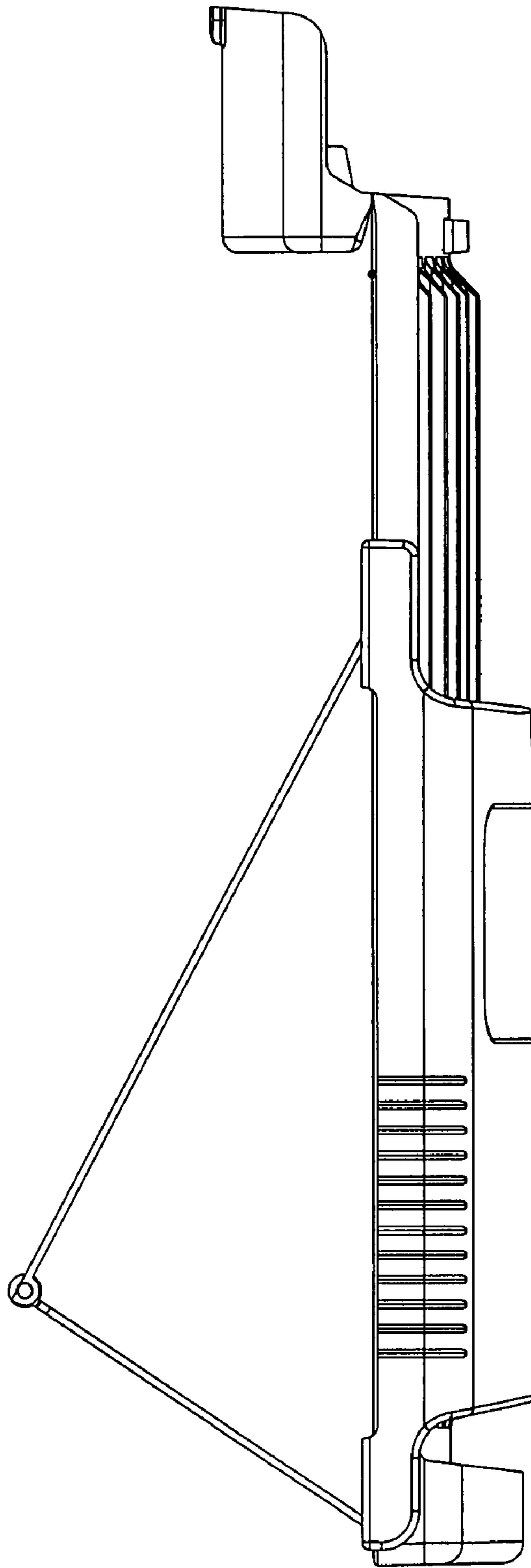


Fig. 12

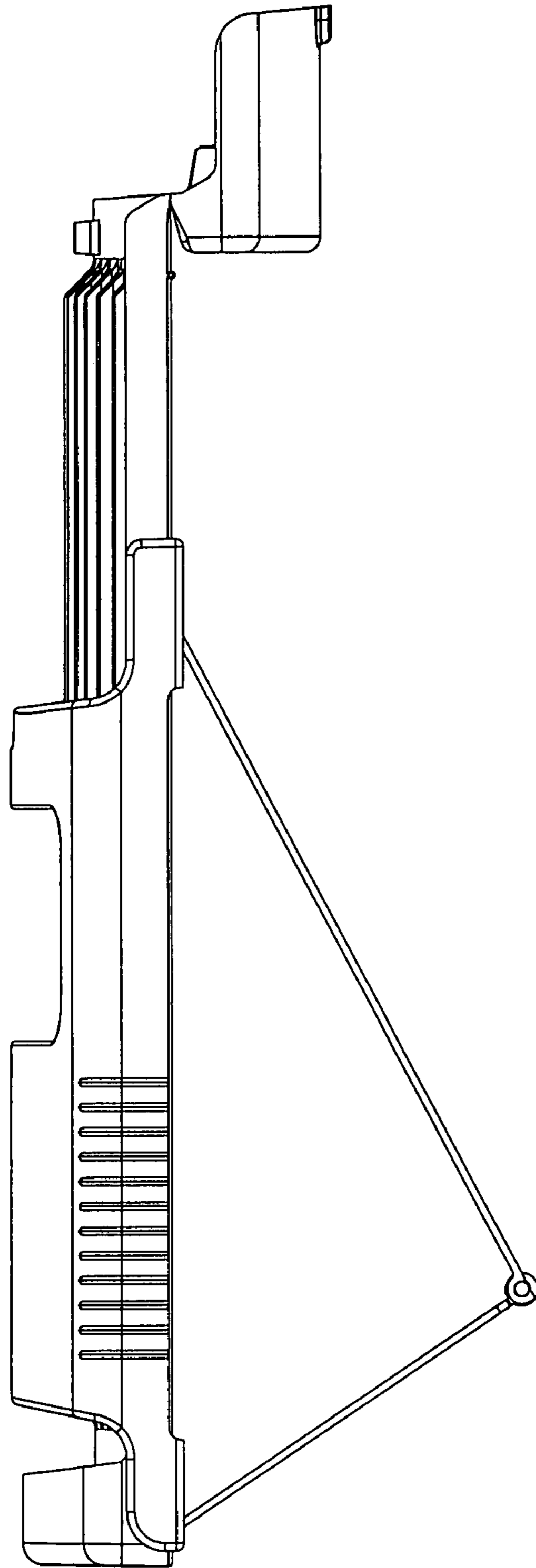


Fig. 13

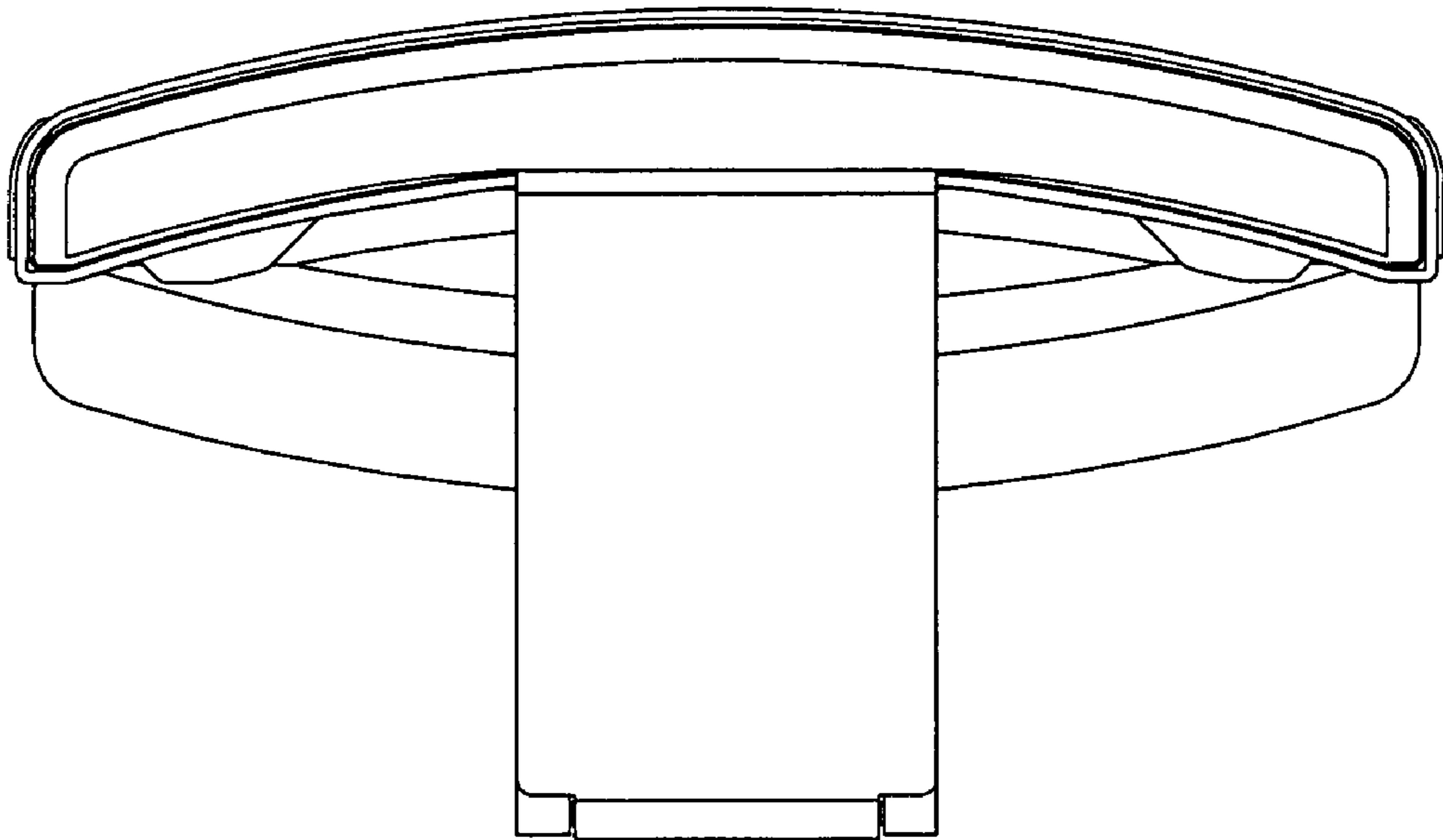


Fig. 14

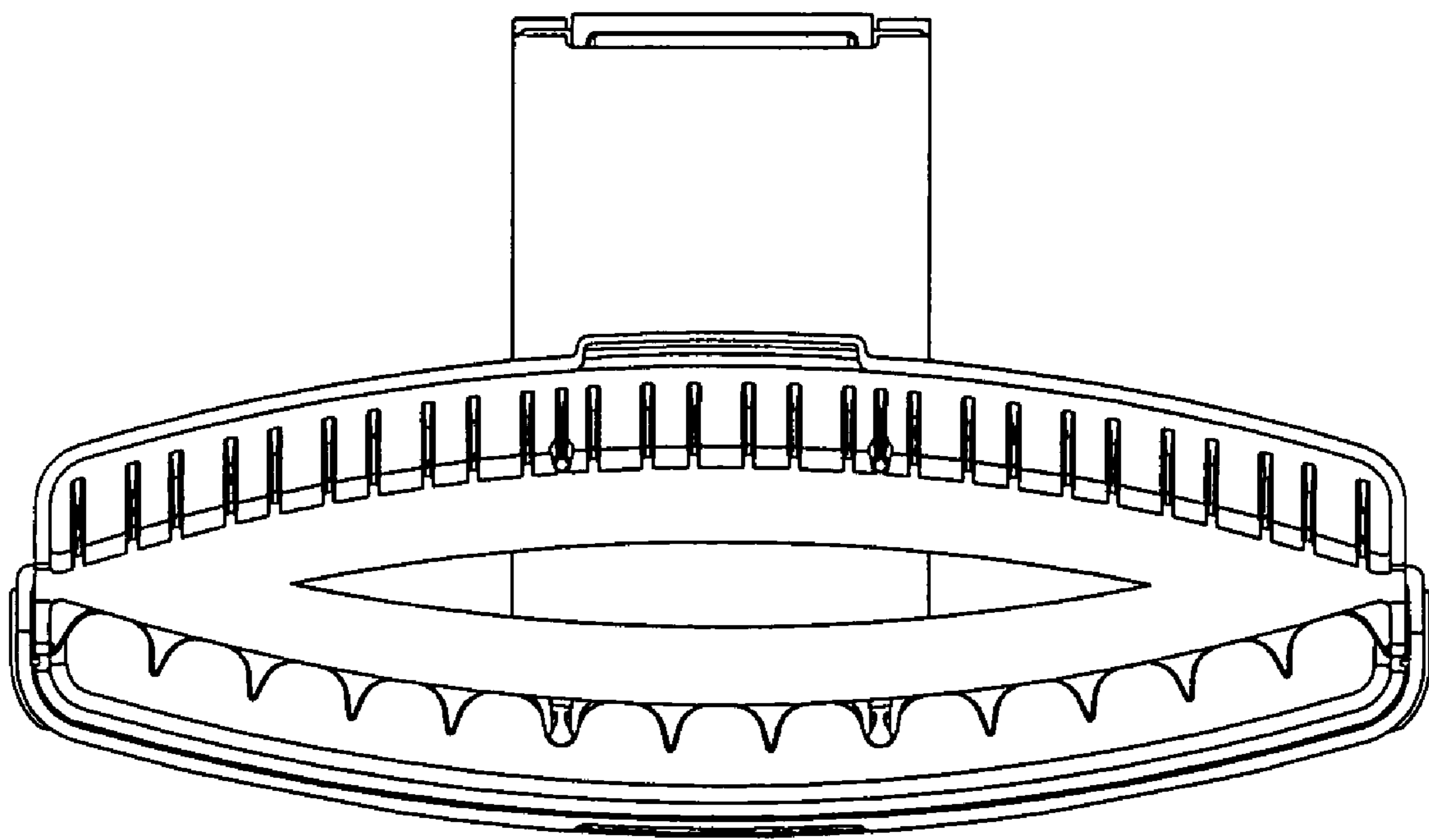


Fig. 15

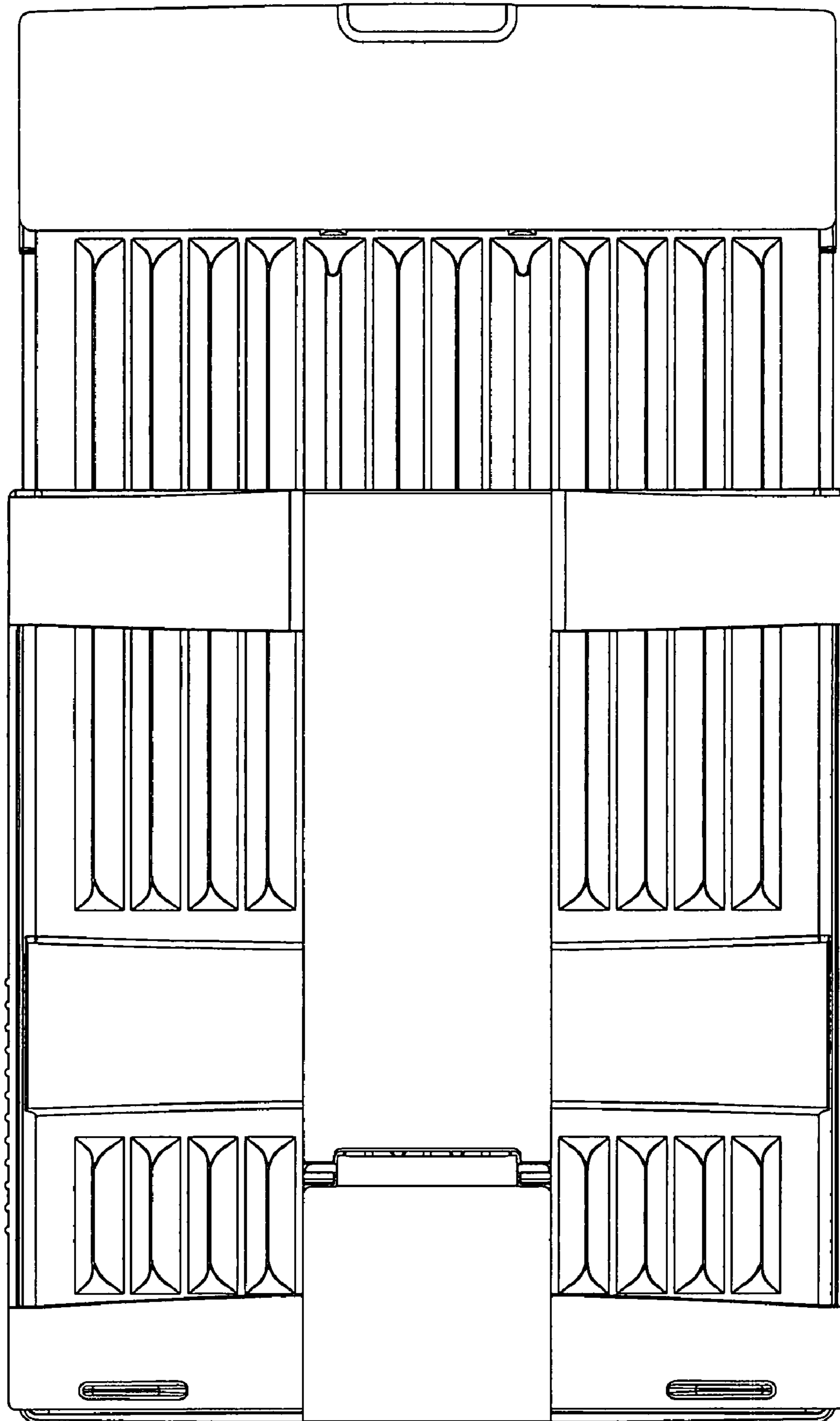


Fig. 16