



US00D566168S

(12) **United States Design Patent** (10) **Patent No.:** **US D566,168 S**
Yu (45) **Date of Patent:** **** Apr. 8, 2008**

(54) **HANDLE FOR A STAMP**

D444,807 S * 7/2001 Cheung D18/15
D493,379 S * 7/2004 Houdek et al. D10/97
6,820,550 B2 * 11/2004 Lookholder et al. 101/405

(75) Inventor: **Wayne Yu**, Sinjhuang (TW)

* cited by examiner

(73) Assignee: **Megilo Co., Ltd.**, Taipei Hsien (TW)

Primary Examiner—Charles A. Rademaker
(74) *Attorney, Agent, or Firm*—William E. Pelton, Esq.;
Cooper & Dunham LLP

(**) Term: **14 Years**

(21) Appl. No.: **29/288,244**

(57) **CLAIM**

(22) Filed: **Jun. 5, 2007**

The ornamental design for a handle for a stamp, as shown and described.

(51) **LOC (8) Cl.** **19-02**

(52) **U.S. Cl.** **D18/15**

(58) **Field of Classification Search** D18/14–21;
101/334, 327–328, 405, 352.07, DIG. 30;
118/264, 268; D5/4–6, 20–25, 62

See application file for complete search history.

DESCRIPTION

(56) **References Cited**

U.S. PATENT DOCUMENTS

26,484	A	*	12/1859	Hudson	177/257
261,025	A	*	7/1882	Murdock, Jr.	101/405
268,526	A	*	12/1882	Nye	101/406
3,101,048	A	*	8/1963	Carlsen	101/125
3,103,879	A	*	9/1963	Carlsen	101/125
3,138,096	A	*	6/1964	Carlsen	101/125
3,152,541	A	*	10/1964	Carlsen	101/125
3,323,791	A	*	6/1967	Thomas	D18/14
D231,404	S	*	4/1974	Sontag	D18/19
D231,579	S	*	4/1974	De Lorenzo	D18/15
4,029,012	A	*	6/1977	Smith et al.	101/368
D290,469	S	*	6/1987	Boehringer et al.	D18/15
D324,062	S	*	2/1992	Bengtsson	D18/15
D334,767	S	*	4/1993	Scholpp	D18/15
D435,583	S	*	12/2000	Robillard	D18/15

FIG. 1 is a perspective view of a handle for a stamp showing my new design;

FIG. 2 is a front view thereof;

FIG. 3 is a rear view thereof;

FIG. 4 is a left view thereof;

FIG. 5 is a right view thereof;

FIG. 6 is a top view thereof;

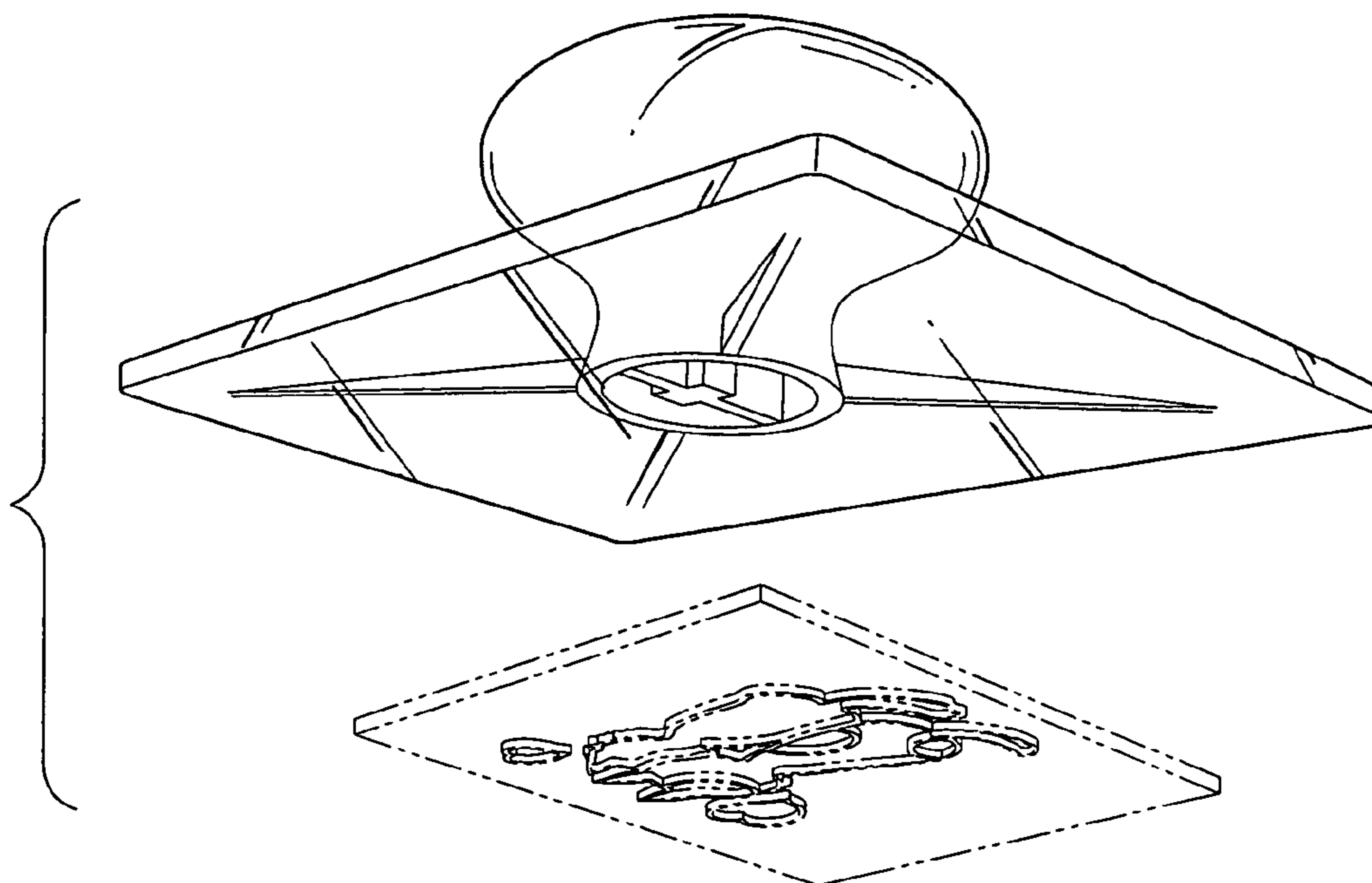
FIG. 7 is a bottom view thereof;

FIG. 8 is a referential perspective view of the handle thereof with a stamp shown in broken lines; and,

FIG. 9 is a referential perspective view of the handle thereof with another stamp shown in broken lines.

The portions of the Figures shown in broken lines are shown for illustrative purposes only and form no part of the claimed design.

1 Claim, 6 Drawing Sheets



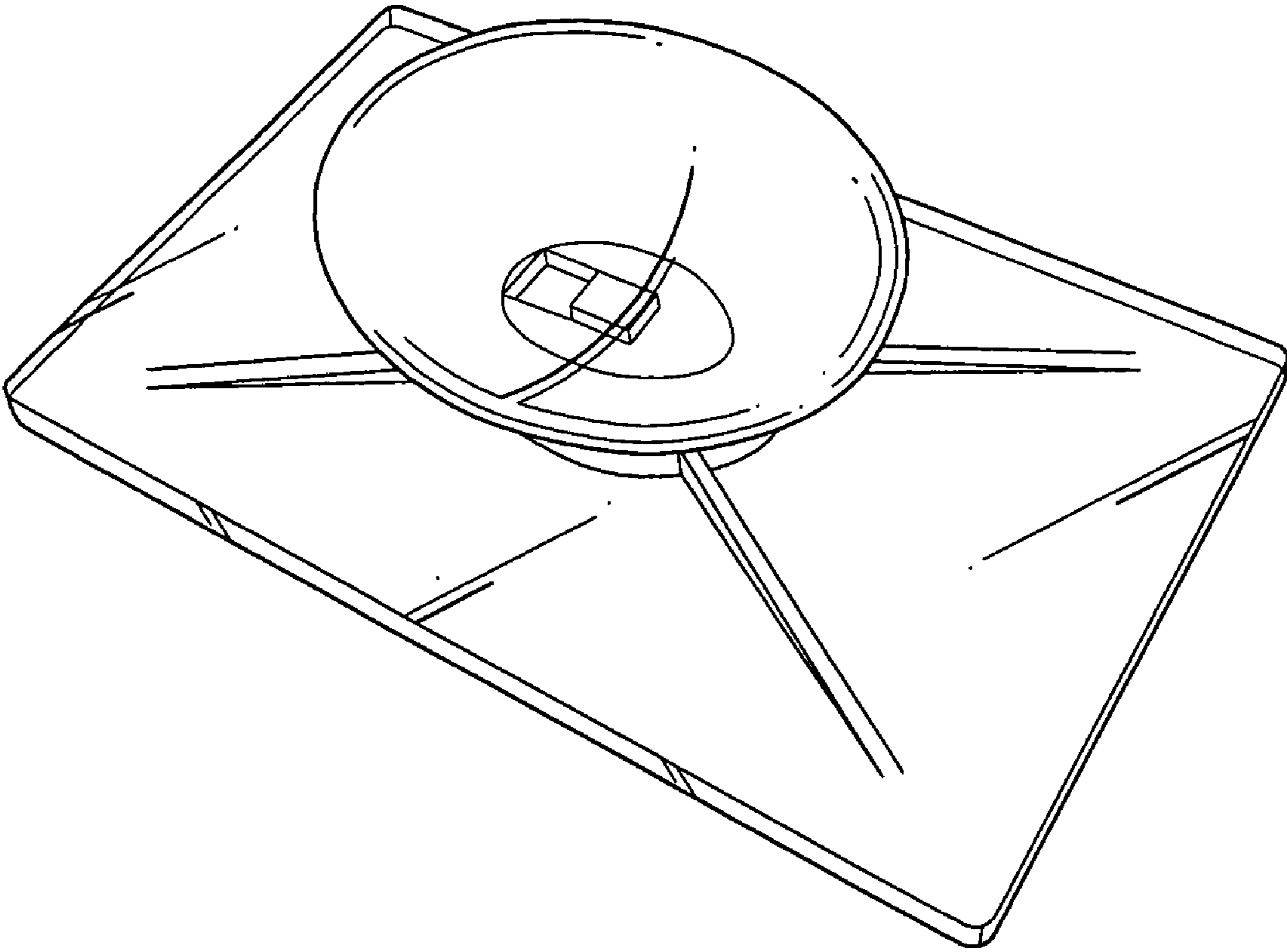


FIG. 1

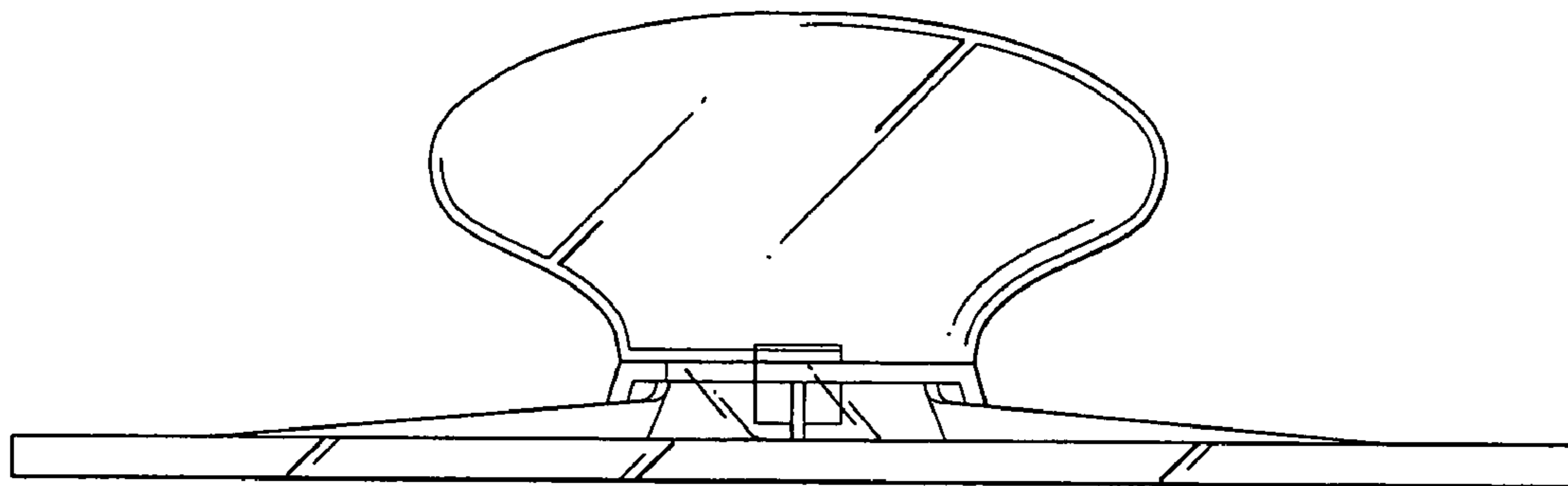


FIG. 2

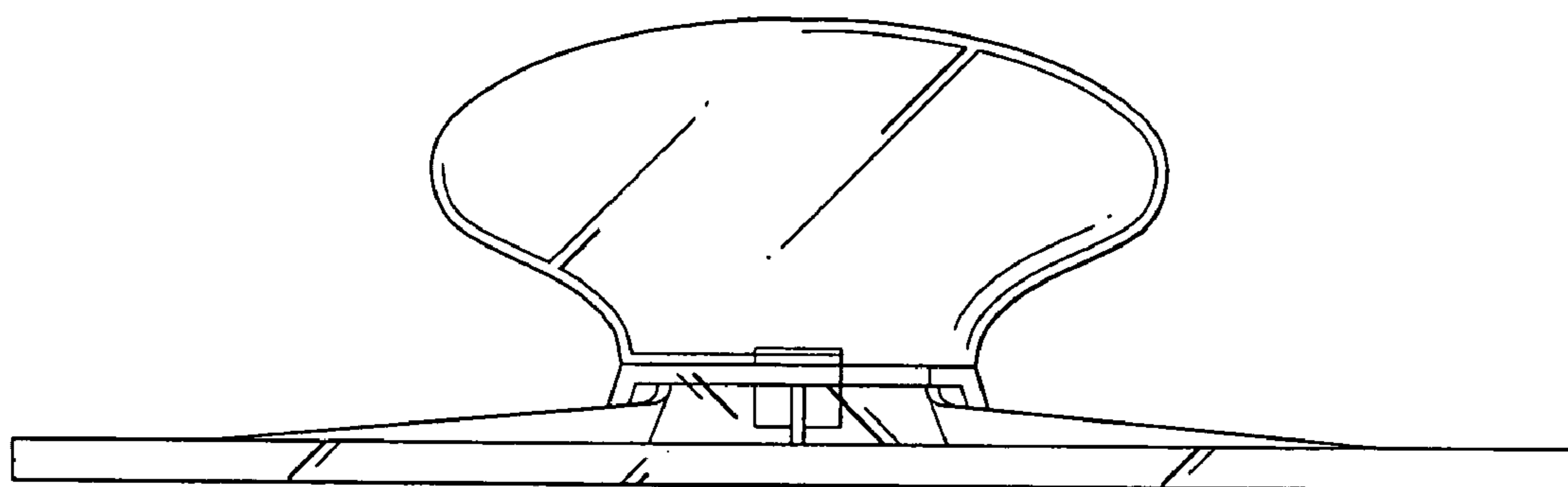


FIG. 3

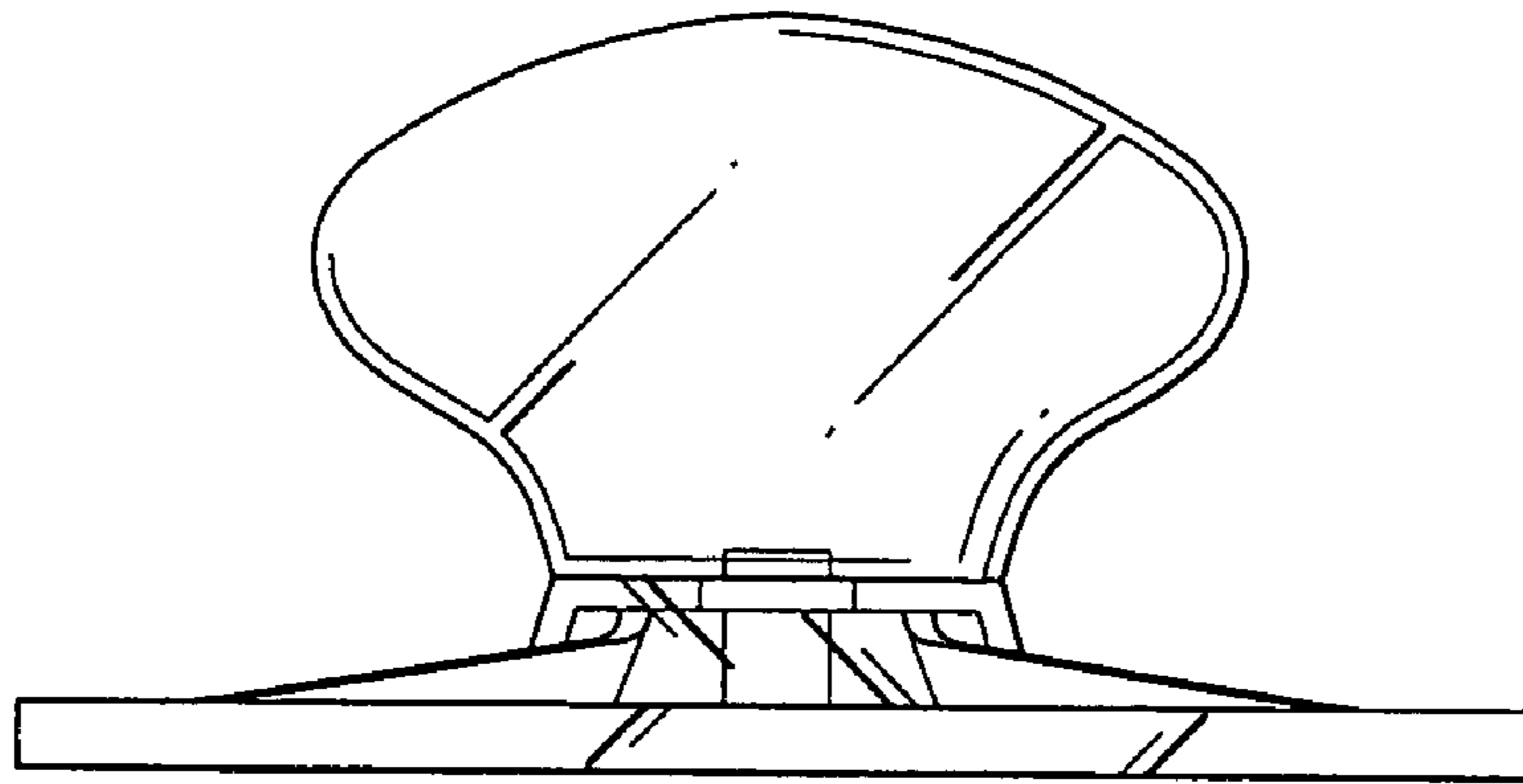


FIG. 4

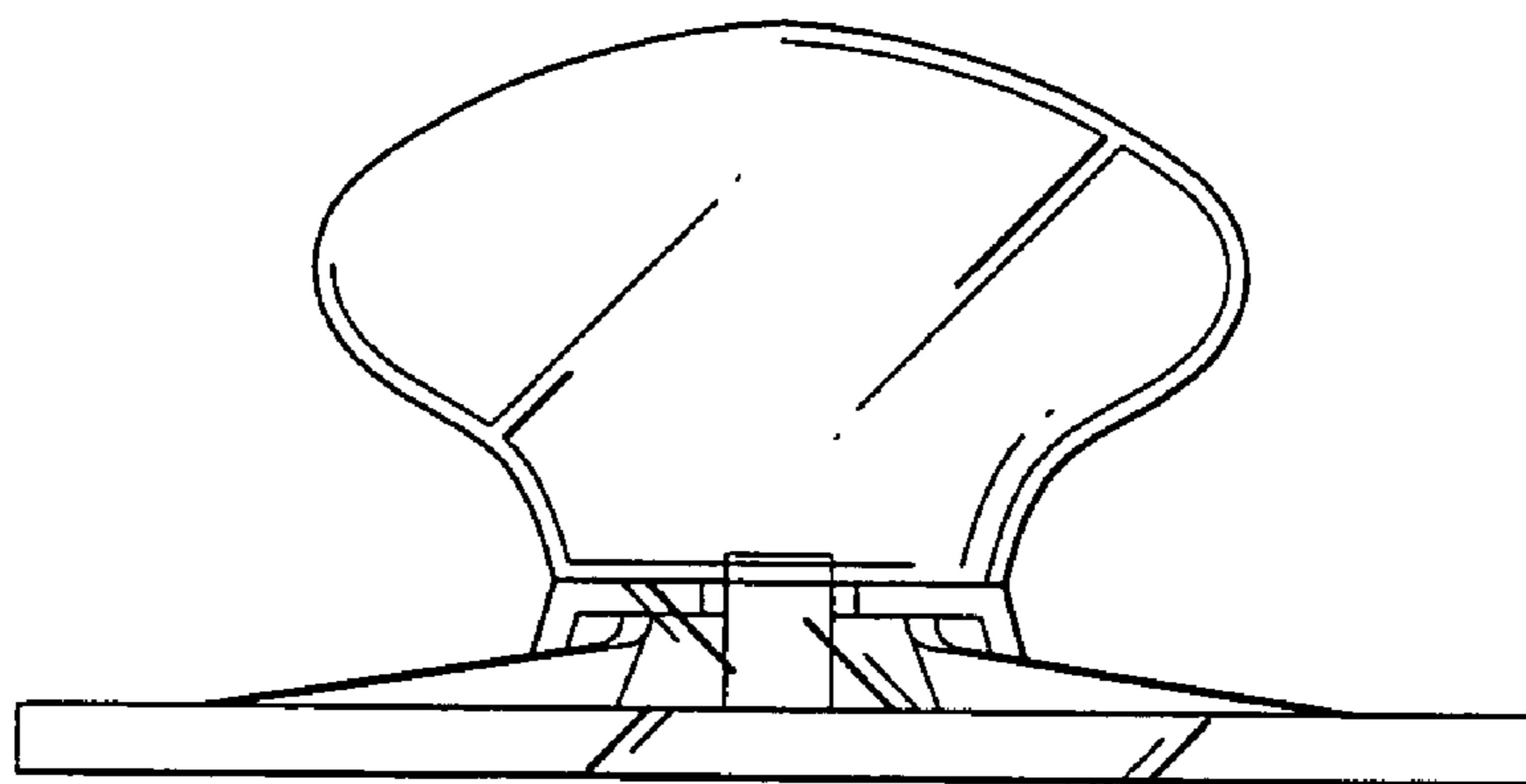


FIG. 5

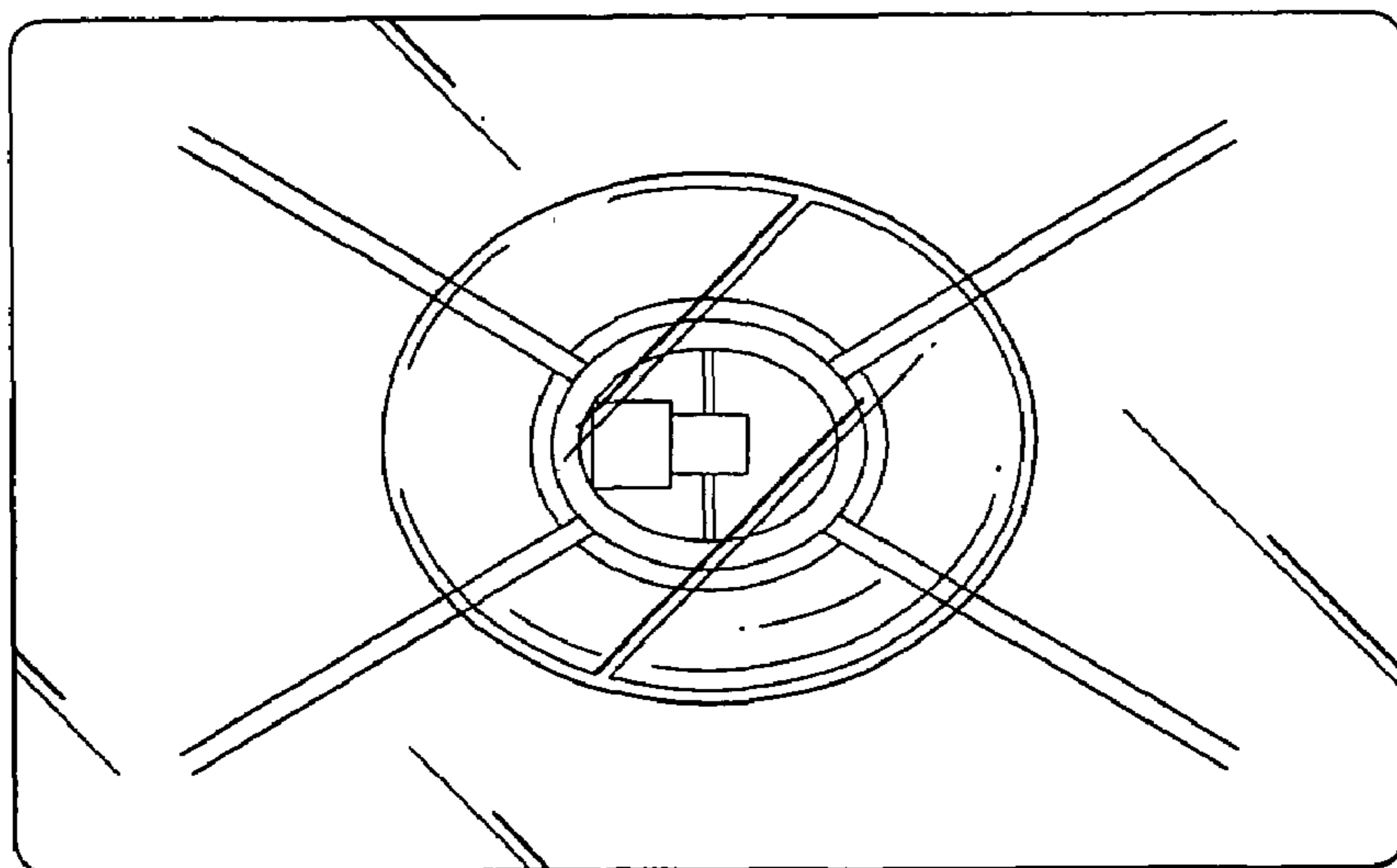


FIG. 6

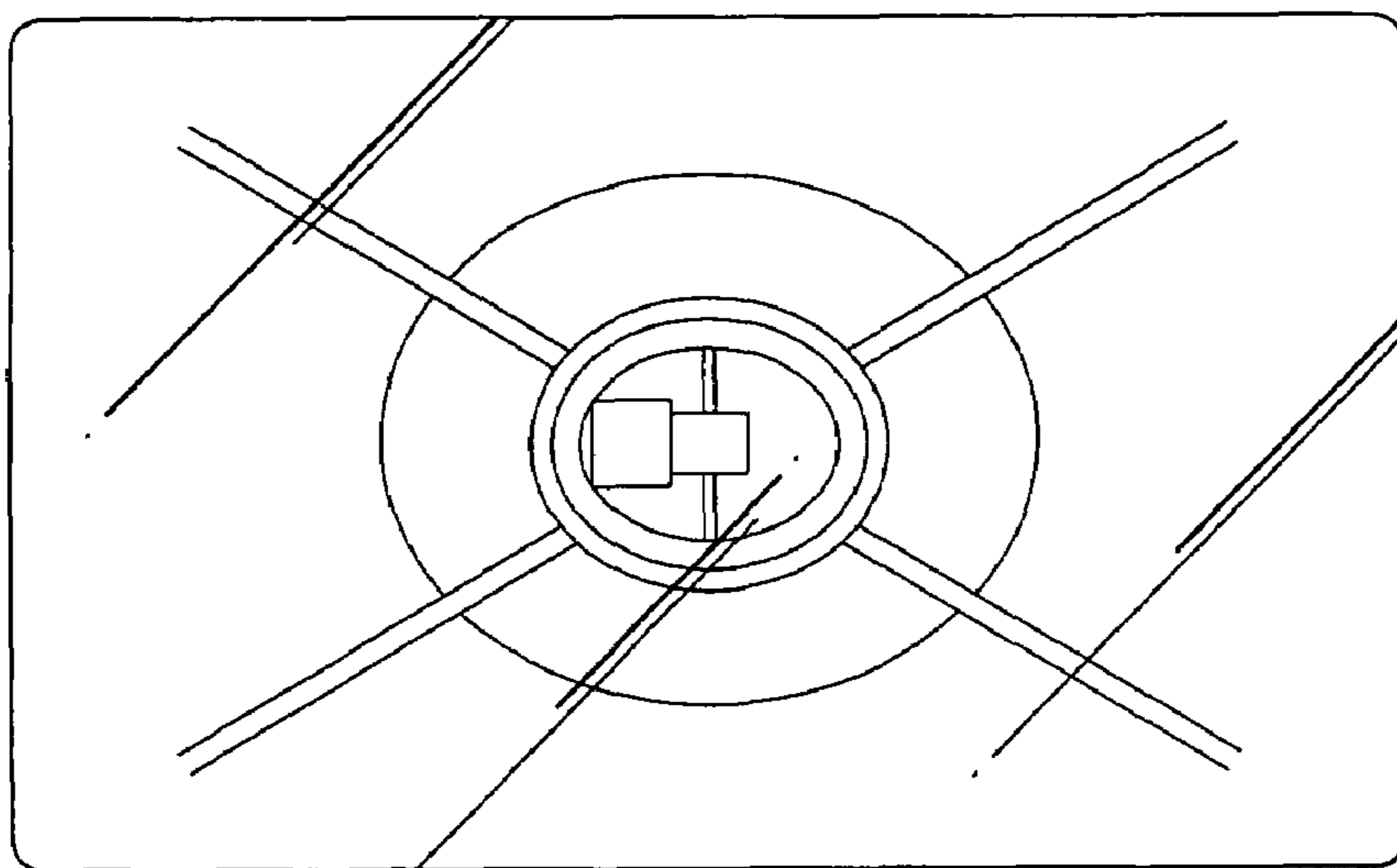


FIG. 7

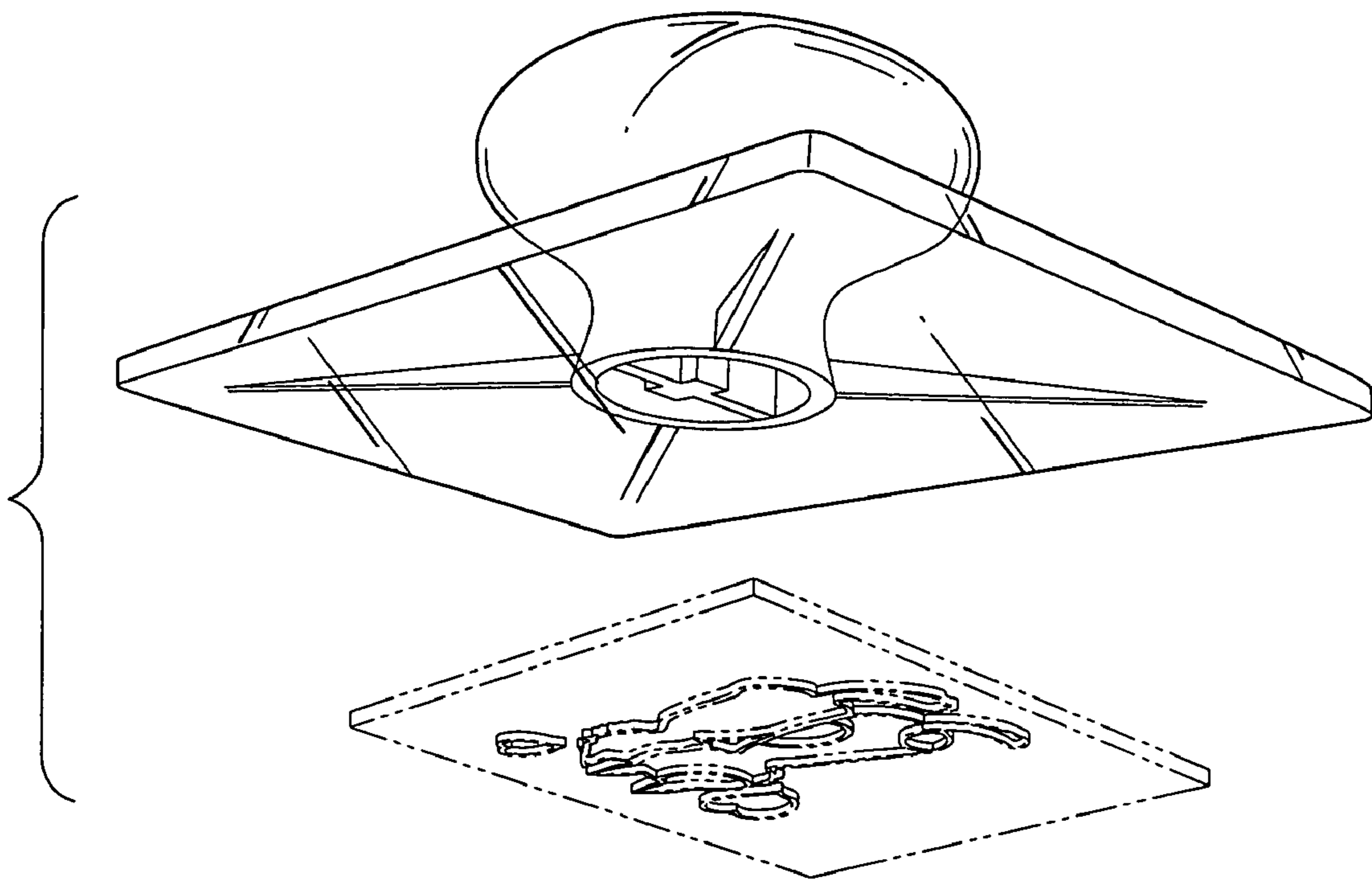


FIG. 8

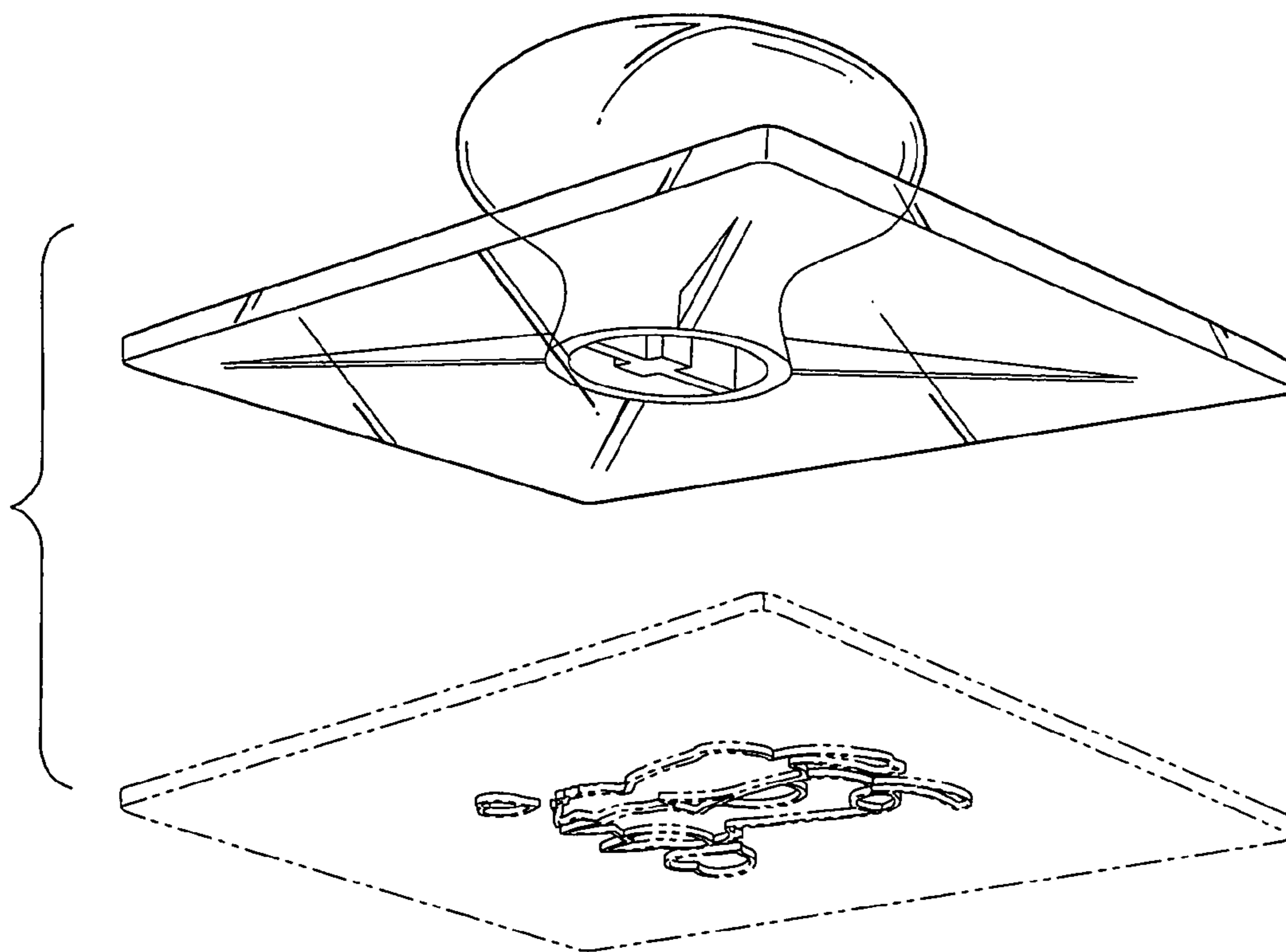


FIG. 9