



US00D566167S

(12) **United States Design Patent**
David

(10) **Patent No.:** **US D566,167 S**

(45) **Date of Patent:** **** Apr. 8, 2008**

(54) **DIRECT CONNECT GUITAR AMPLIFIER WITH SPEAKER**

(75) Inventor: **Martin David**, Kissimmee, FL (US)

(73) Assignee: **Ampuplugnplay, LLC**, Kissimmee, FL (US)

(**) Term: **14 Years**

(21) Appl. No.: **29/232,149**

(22) Filed: **Jun. 15, 2005**

(51) **LOC (8) Cl.** **17-03**

(52) **U.S. Cl.** **D17/20**

(58) **Field of Classification Search** D17/20,
D17/99; D14/188, 172, 221, 168, 217, 155,
D14/162, 169; 181/199, 143; 381/283;
455/347, 351

See application file for complete search history.

(56) **References Cited**

U.S. PATENT DOCUMENTS

D212,003 S * 8/1968 Roberts D14/155

D233,762 S * 11/1974 Suyama D14/155
4,764,961 A * 8/1988 Hung 381/308
D340,455 S * 10/1993 Christian D14/217
D342,739 S * 12/1993 Atkin et al. D14/217
D420,665 S * 2/2000 Rosenberg et al. D14/188
D550,196 S * 9/2007 Griffin et al. D14/155
2003/0000767 A1 * 1/2003 Manrique et al. 181/199

* cited by examiner

Primary Examiner—Charles A. Rademaker

Assistant Examiner—Anna J Burmeister

(57) **CLAIM**

The ornamental design for a direct connect guitar amplifier with speaker, as shown and described.

DESCRIPTION

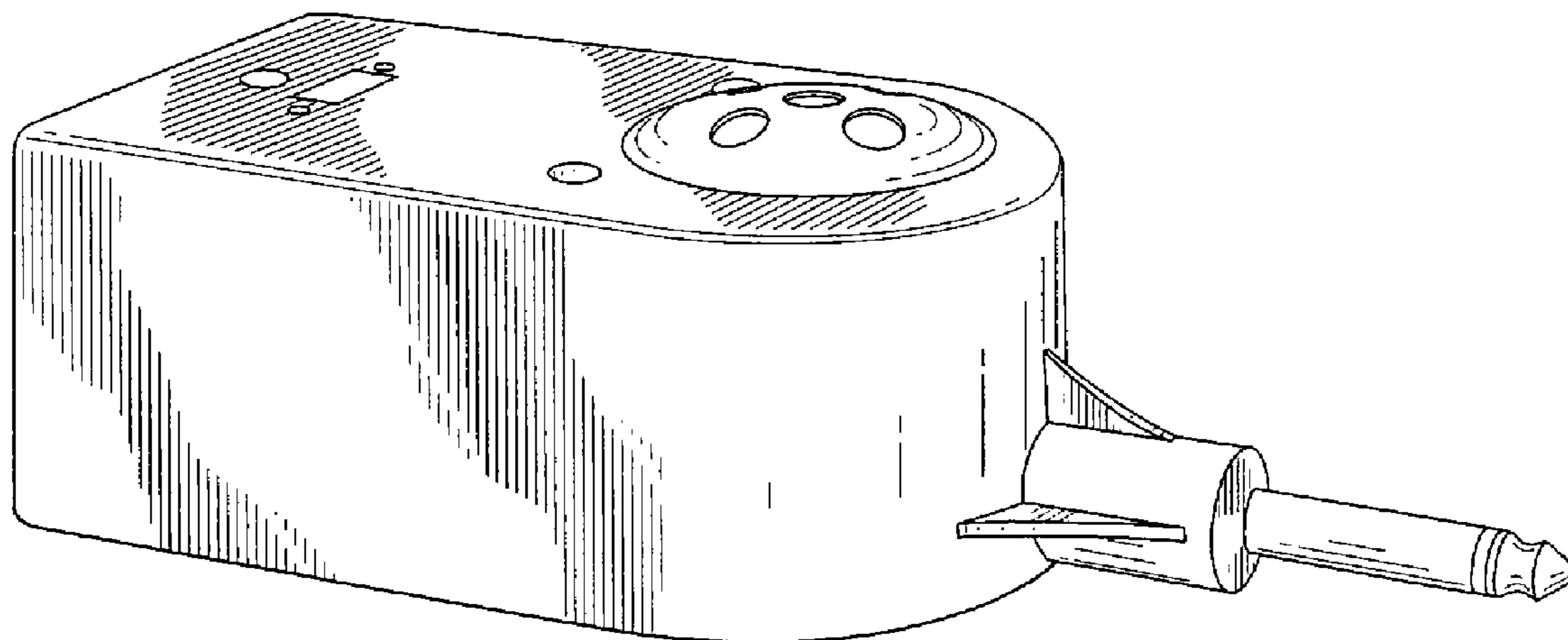
FIG. 1 is a front elevational view of a direct connect guitar amplifier with speaker, showing my new design;

FIG. 2 is a right side elevational view thereof;

FIG. 3 is a top plan view thereof; and,

FIG. 4 is a top, front, and left side perspective view thereof.

1 Claim, 4 Drawing Sheets



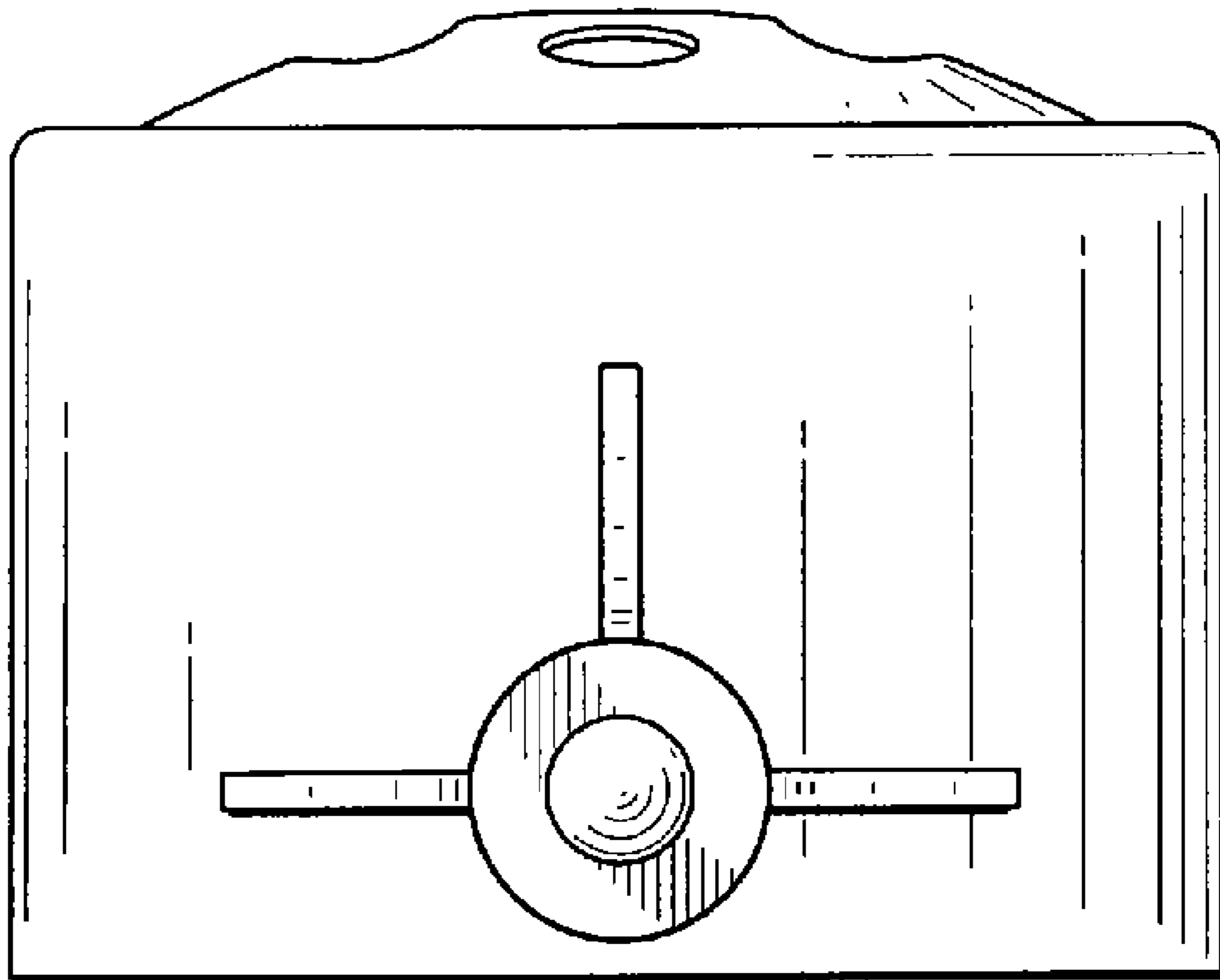


FIG. 1

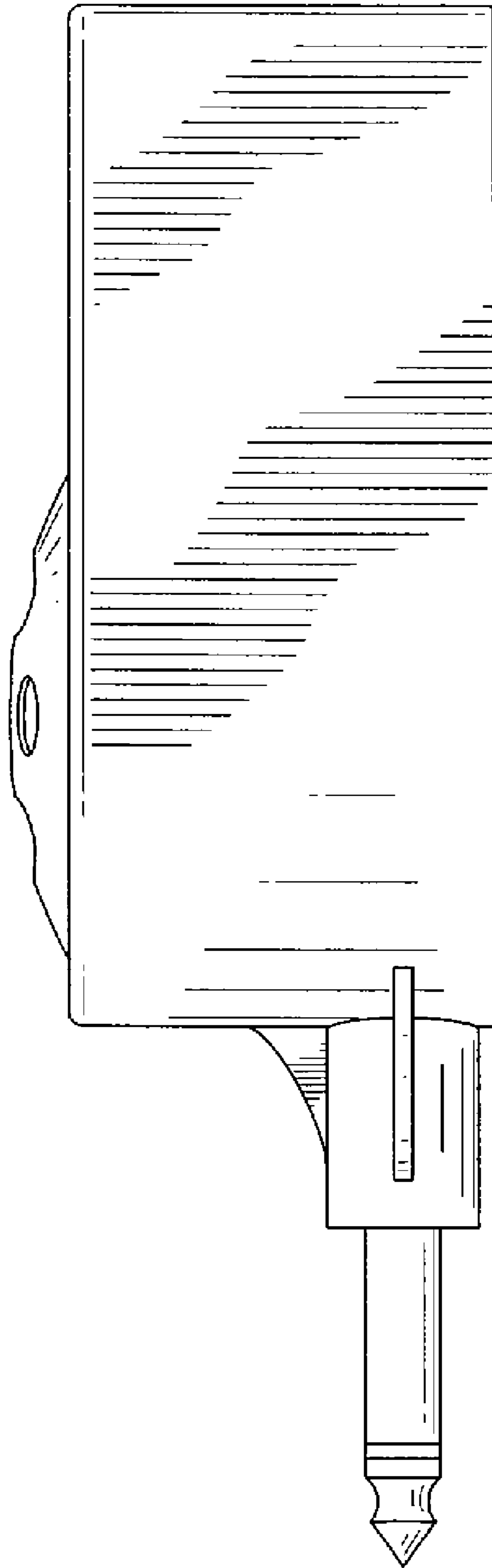


FIG. 2

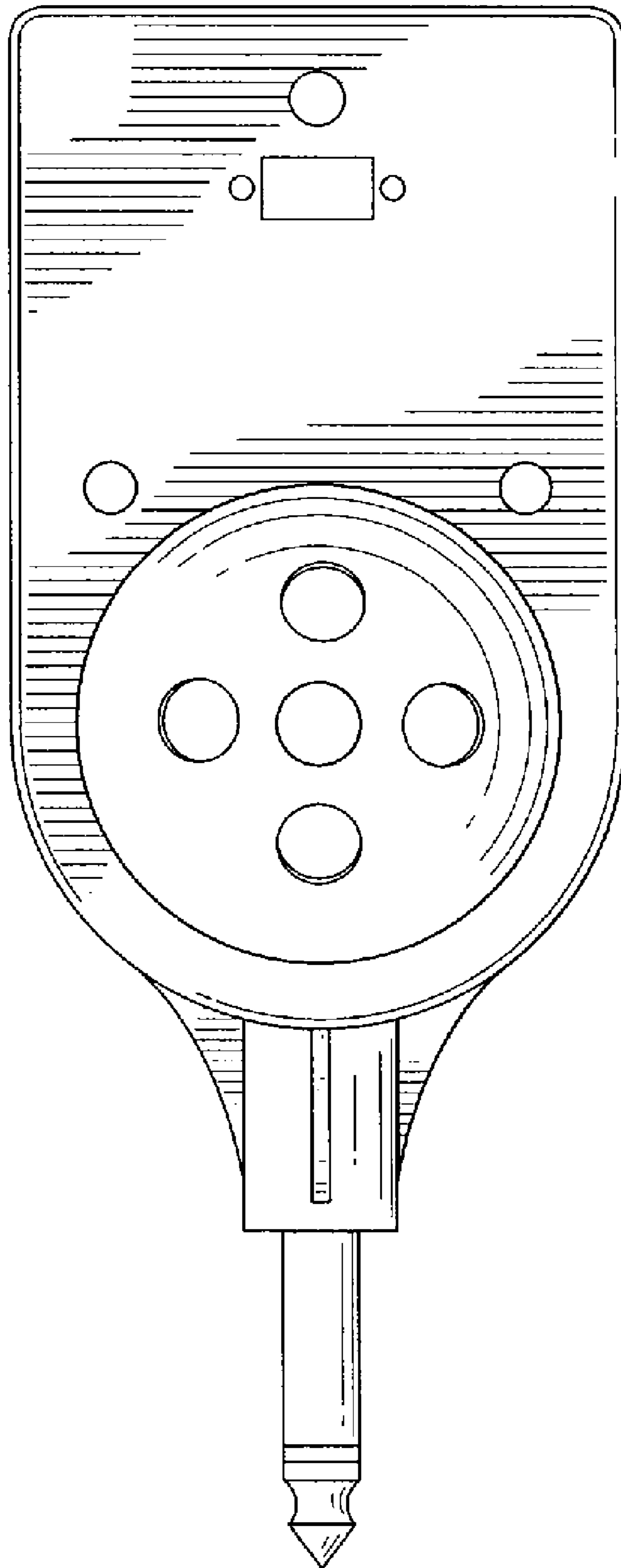


FIG. 3

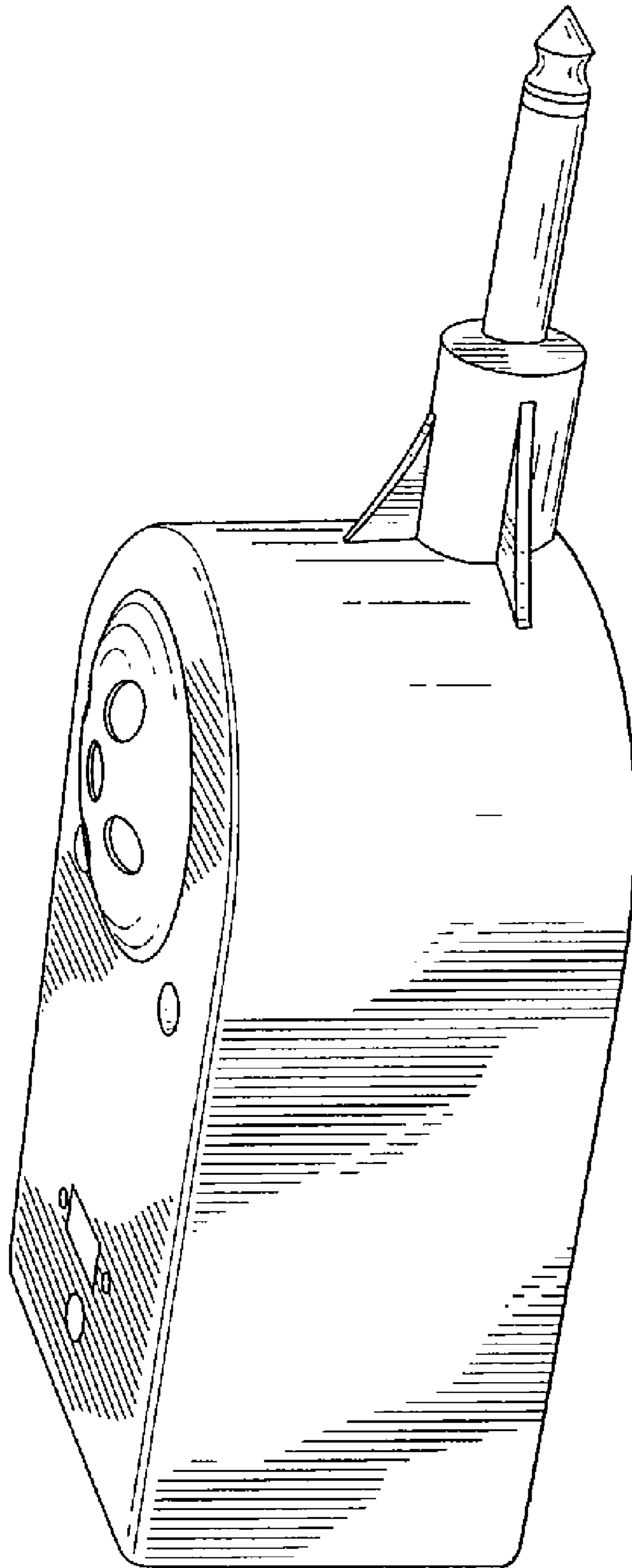


FIG. 4