



US00D566160S

(12) **United States Design Patent**
Shimamoto

(10) **Patent No.:** **US D566,160 S**
(45) **Date of Patent:** **** Apr. 8, 2008**

(54) **VIDEO PROJECTOR**

(75) Inventor: **Yasutaka Shimamoto**, Utsunomiya (JP)

(73) Assignee: **Sharp Kabushiki Kaisha**, Osaka (JP)

(**) Term: **14 Years**

(21) Appl. No.: **29/273,389**

(22) Filed: **Mar. 5, 2007**

(30) **Foreign Application Priority Data**

Sep. 6, 2006 (JP) 2006-023770

(51) **LOC (8) Cl.** **16-02**

(52) **U.S. Cl.** **D16/231; D16/225**

(58) **Field of Classification Search** D16/205,
D16/208, 213, 221, 225, 230, 231, 234; D21/514;
353/115, 119, 122

See application file for complete search history.

(56) **References Cited**

U.S. PATENT DOCUMENTS

- D343,850 S 2/1994 Saeki et al.
- D356,103 S 3/1995 Saeki et al.
- D364,416 S 11/1995 Saeki et al.
- D365,587 S 12/1995 Saeki et al.
- D387,795 S 12/1997 Sakamoto
- D388,111 S 12/1997 Iida
- D391,592 S 3/1998 Sakamoto et al.
- D398,321 S 9/1998 Iida
- D398,622 S 9/1998 Saeki et al.
- D412,926 S 8/1999 Saeki et al.
- D419,172 S 1/2000 Saeki et al.
- D428,619 S 7/2000 Saeki et al.
- D434,430 S 11/2000 Saeki et al.
- D441,387 S 5/2001 Saeki et al.
- D449,060 S 10/2001 Saeki et al.
- D450,076 S * 11/2001 Fujimaki D16/230

- D454,360 S 3/2002 Shimizu et al.
- D454,361 S 3/2002 Saeki et al.
- D457,179 S 5/2002 Saeki et al.
- D464,074 S * 10/2002 Miyazaki D16/230
- D470,525 S * 2/2003 Nakayama et al. D16/231
- D473,252 S 4/2003 Shimamoto et al.
- D473,253 S 4/2003 Shimamoto
- D474,799 S * 5/2003 Kawasaki et al. D16/230
- D476,024 S 6/2003 Shimamoto
- 6,616,282 B2 * 9/2003 Ozawa 353/119
- D498,490 S * 11/2004 Kawasaki et al. D16/231
- D504,453 S * 4/2005 Junsu et al. D16/231
- D506,770 S 6/2005 Saeki et al.
- D527,408 S * 8/2006 Azuma D16/230

* cited by examiner

Primary Examiner—Adir Aronovich

(74) *Attorney, Agent, or Firm*—Nixon & Vanderhye, PC

(57) **CLAIM**

The ornamental design for a video projector, as shown and described.

DESCRIPTION

FIG. 1 is a perspective view of a video projector in accordance with my new design:

FIG. 2 is a front elevation view thereof;

FIG. 3 is a rear elevation view thereof;

FIG. 4 is a top plan view thereof;

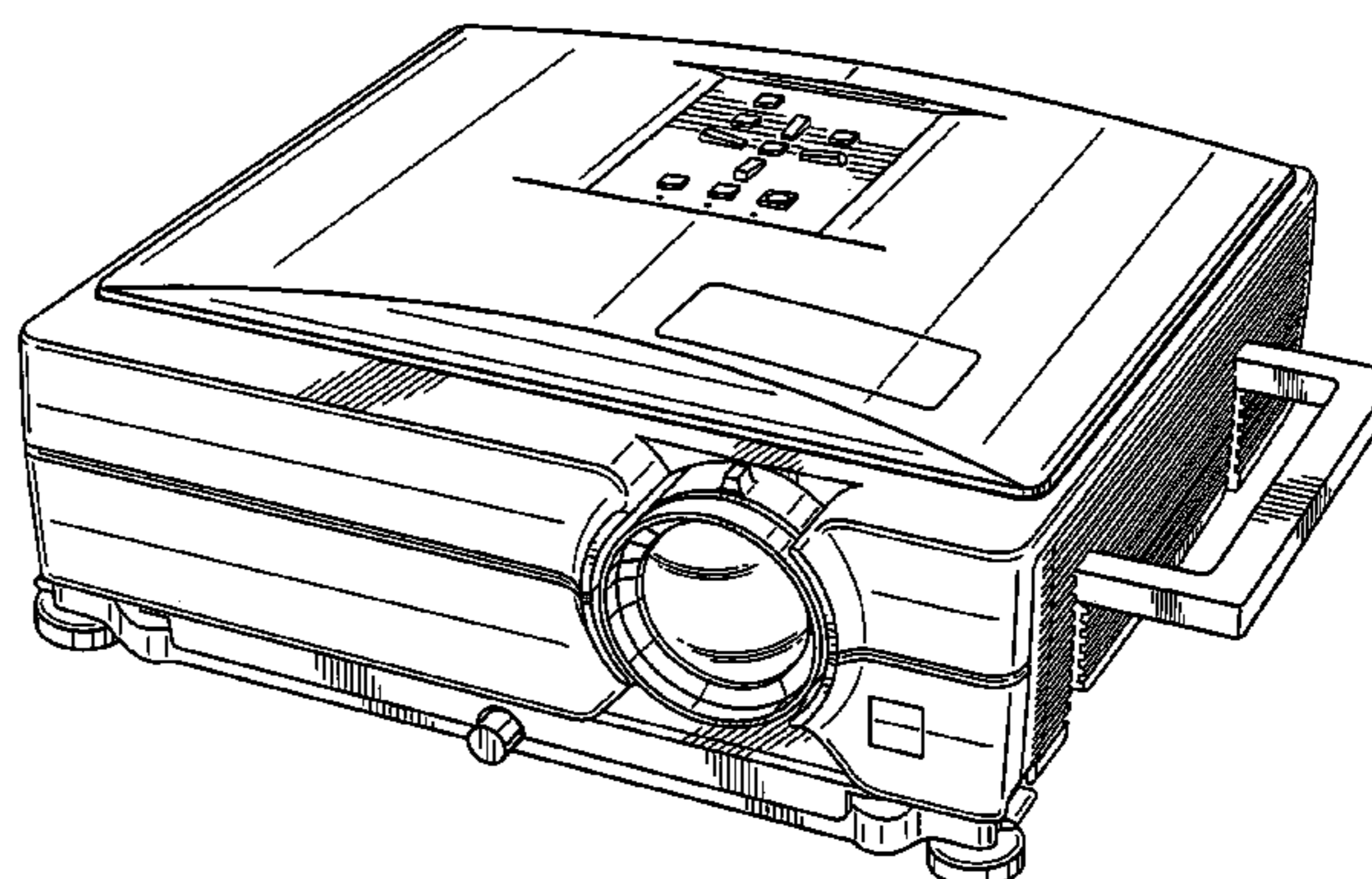
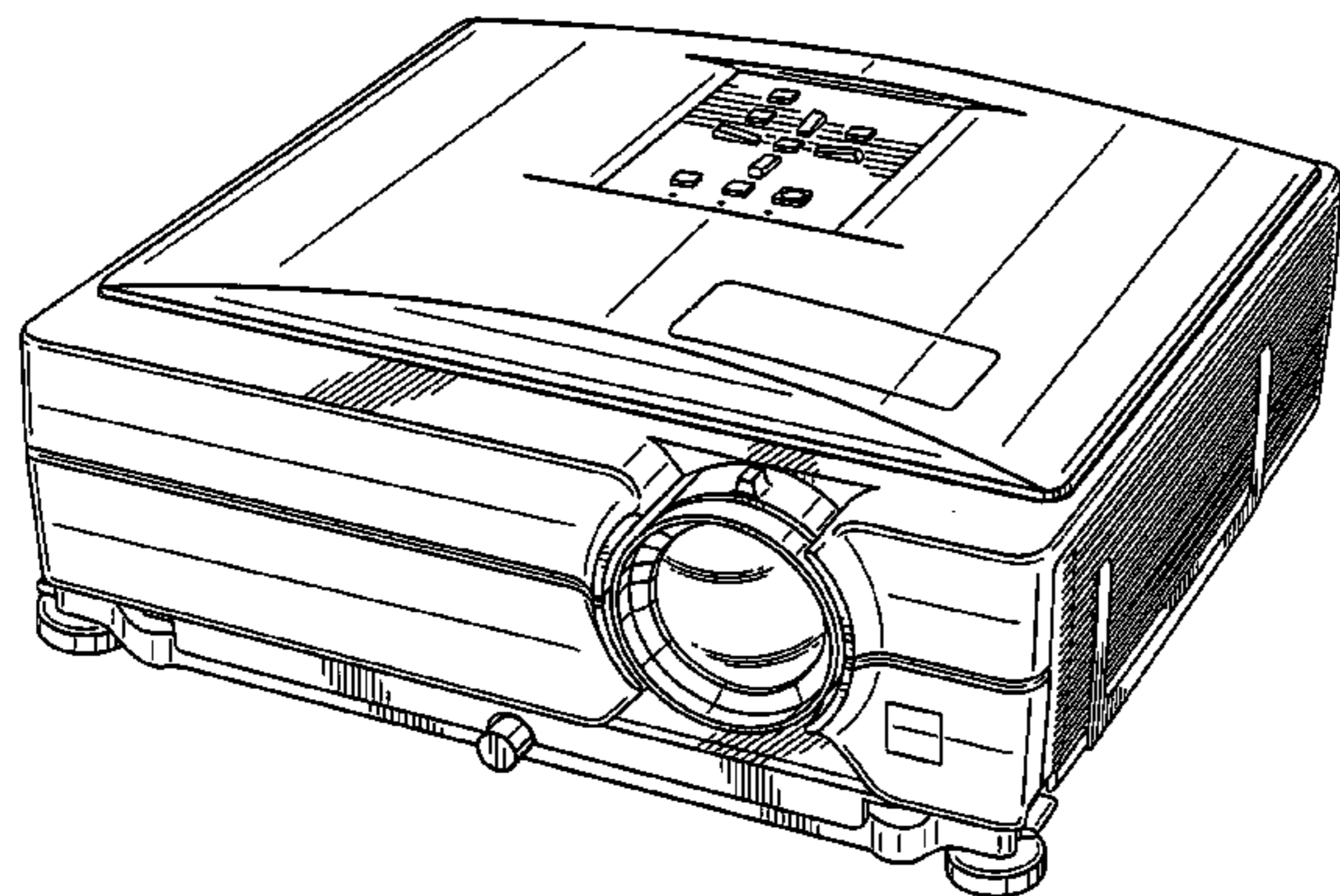
FIG. 5 is a bottom plan view thereof;

FIG. 6 is a right side elevational view thereof;

FIG. 7 is a left side elevational view thereof; and,

FIG. 8 is a perspective view similar to FIG. 1 but showing the handle in an extended position.

1 Claim, 6 Drawing Sheets



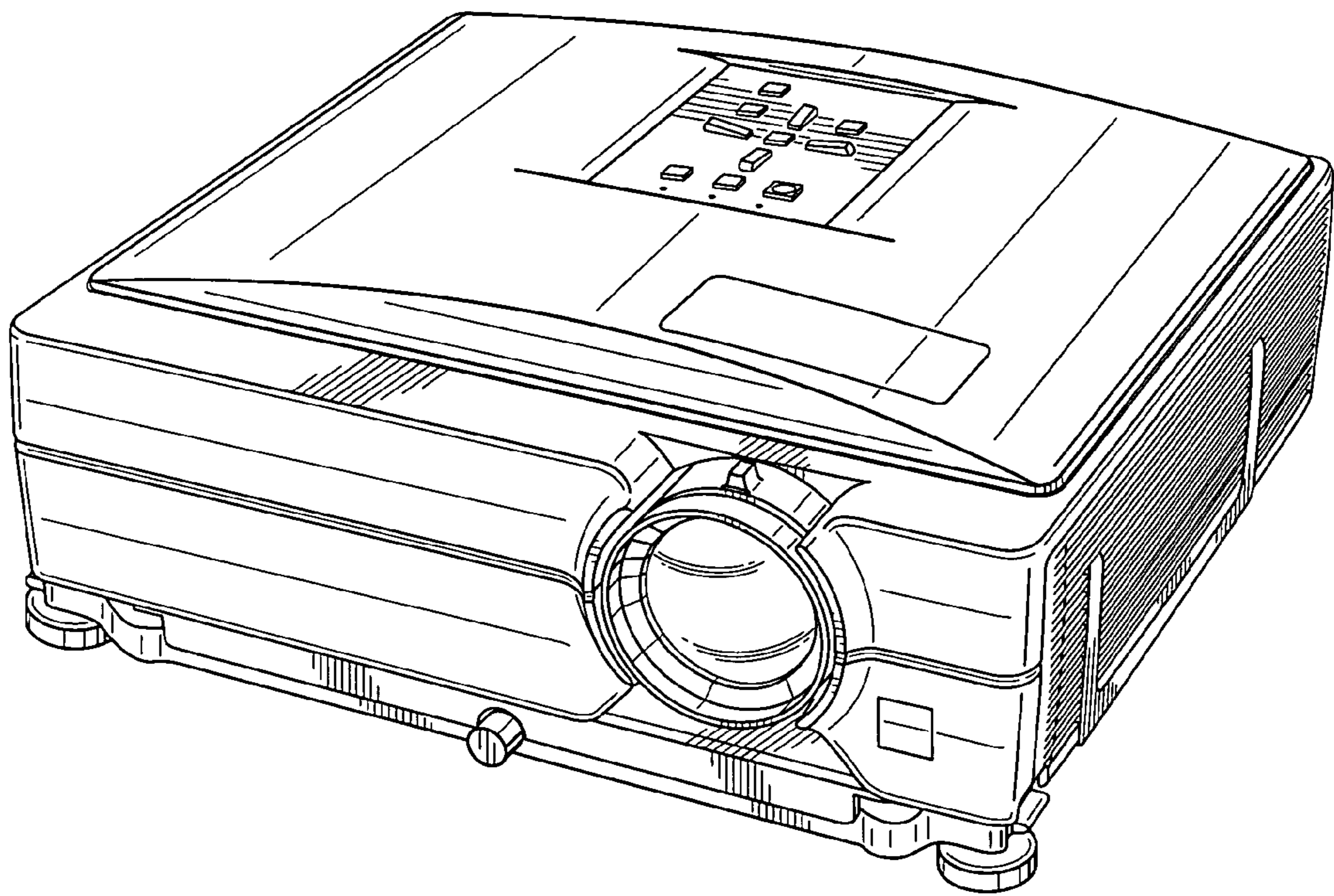


Fig. 1

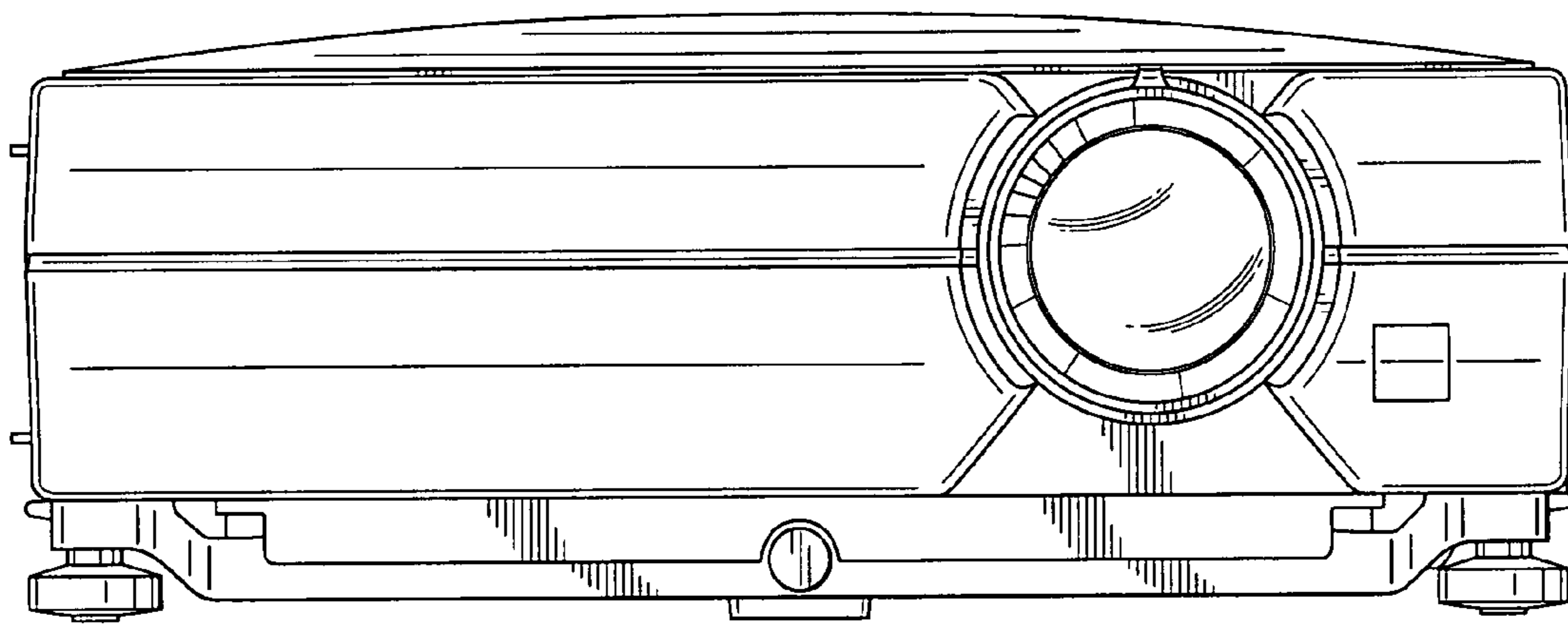


Fig. 2

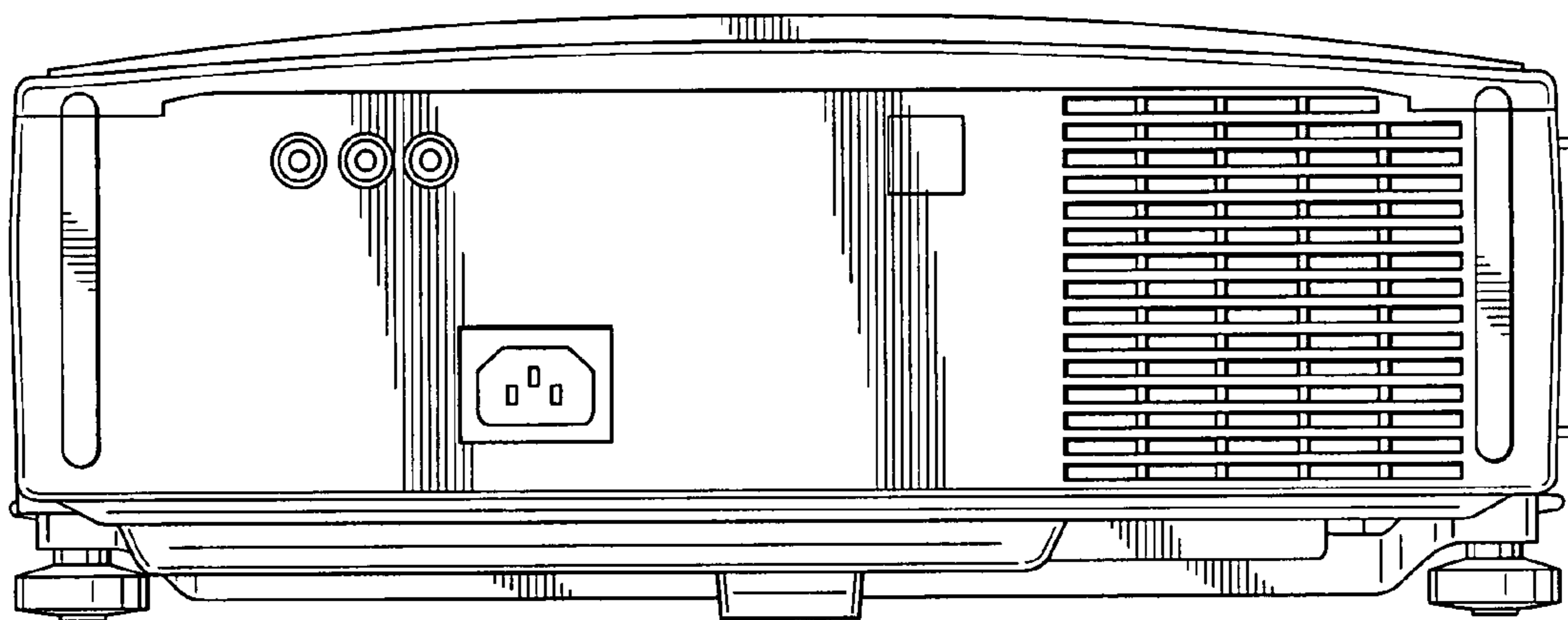


Fig. 3

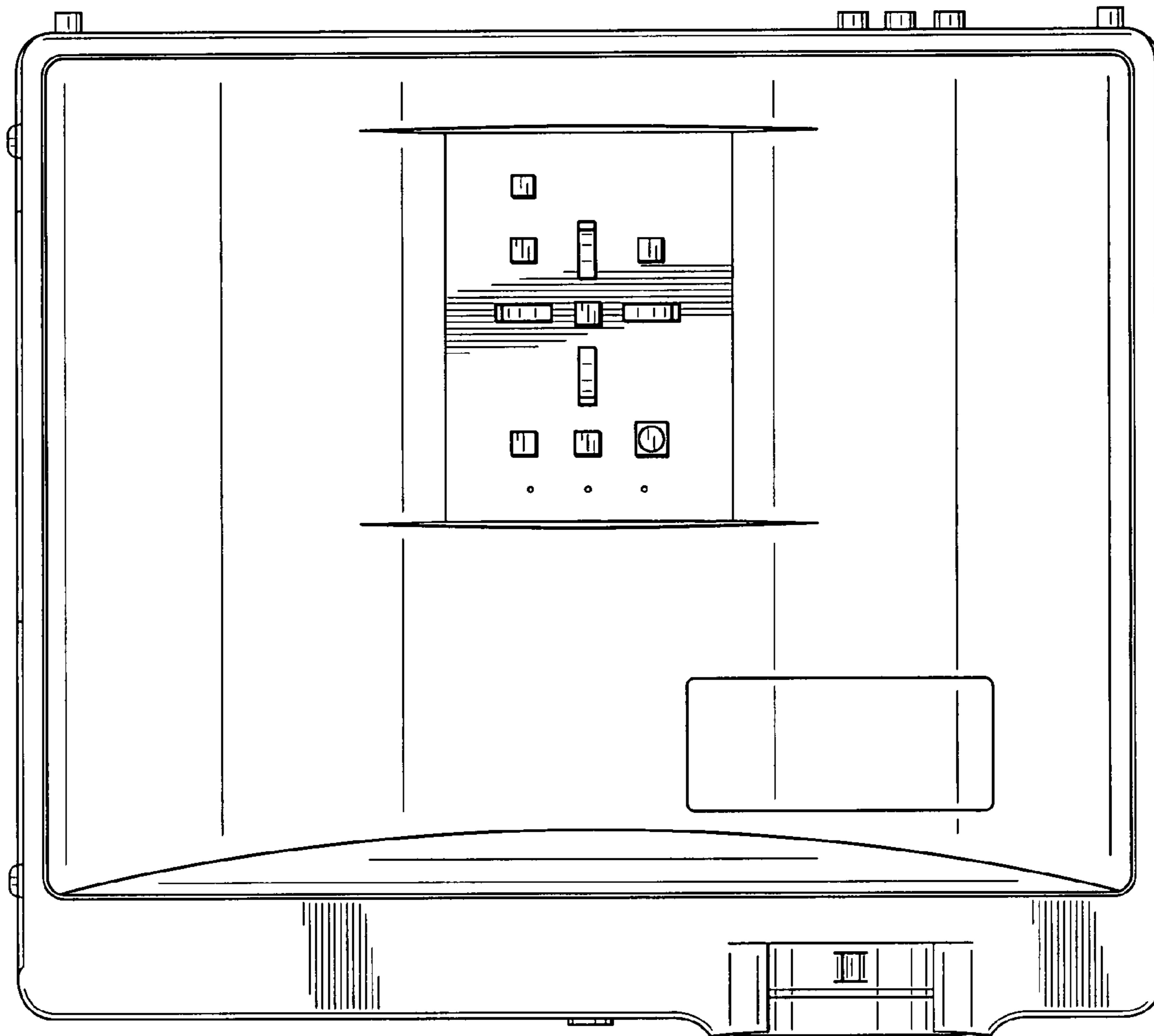


Fig. 4

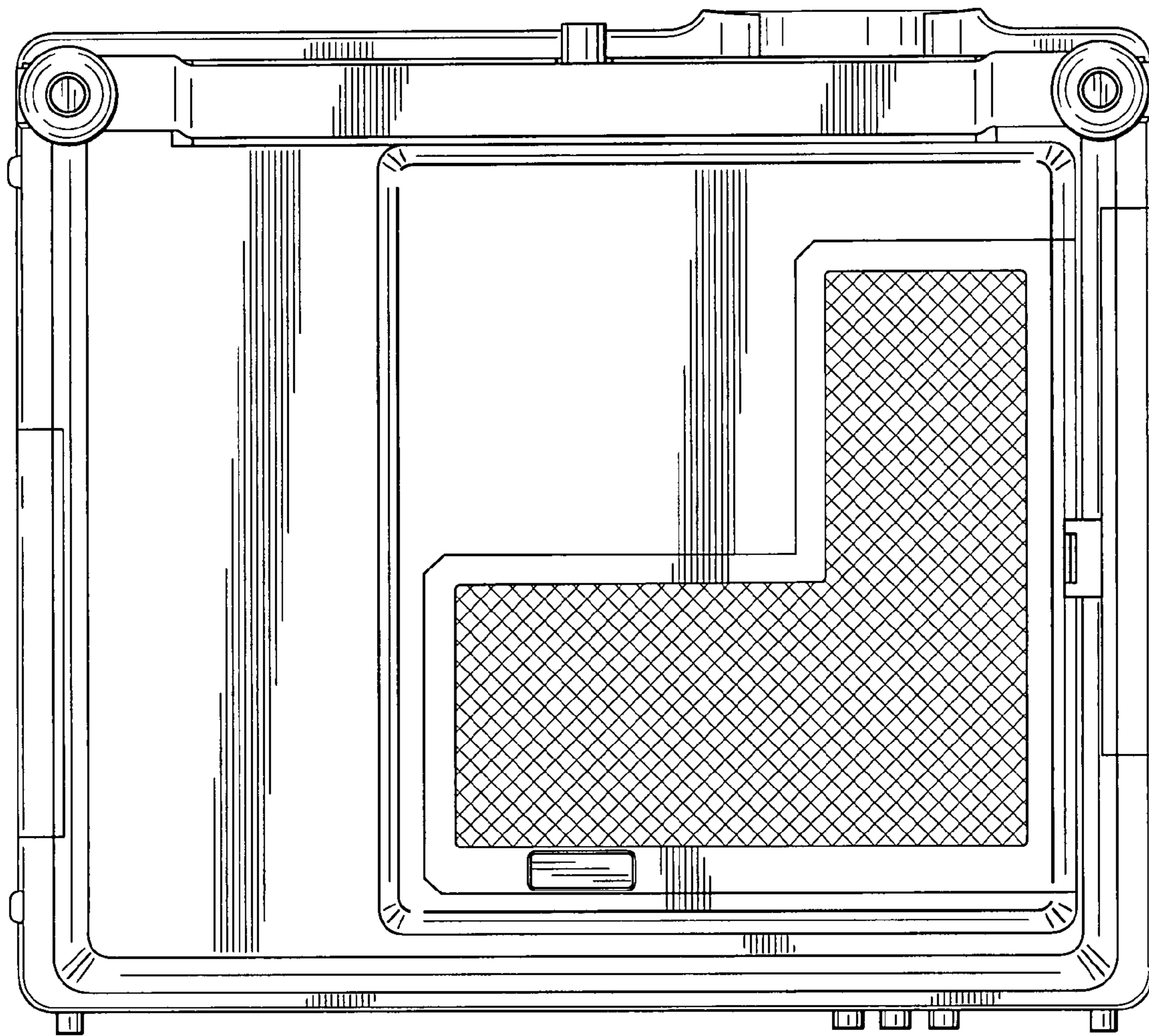


Fig. 5

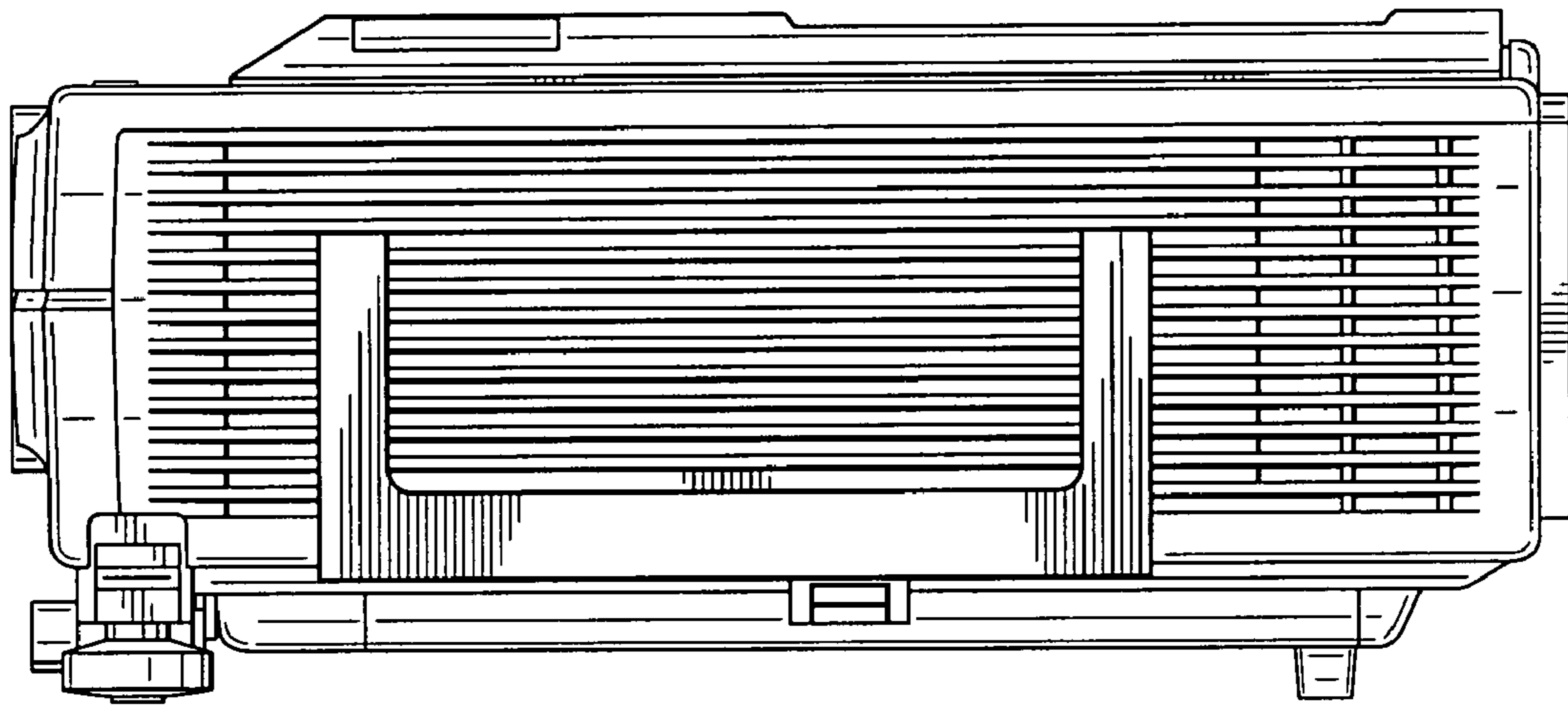


Fig. 6

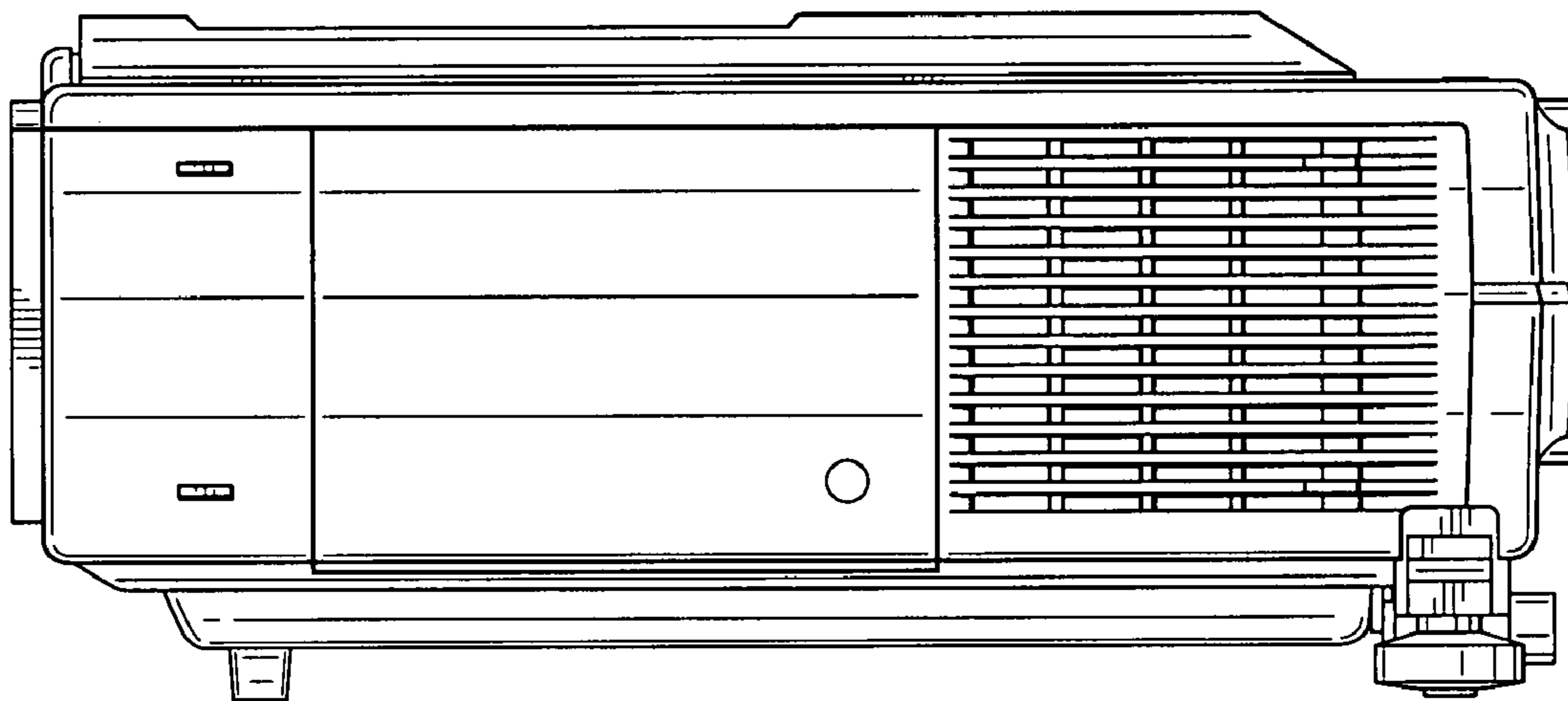


Fig. 7

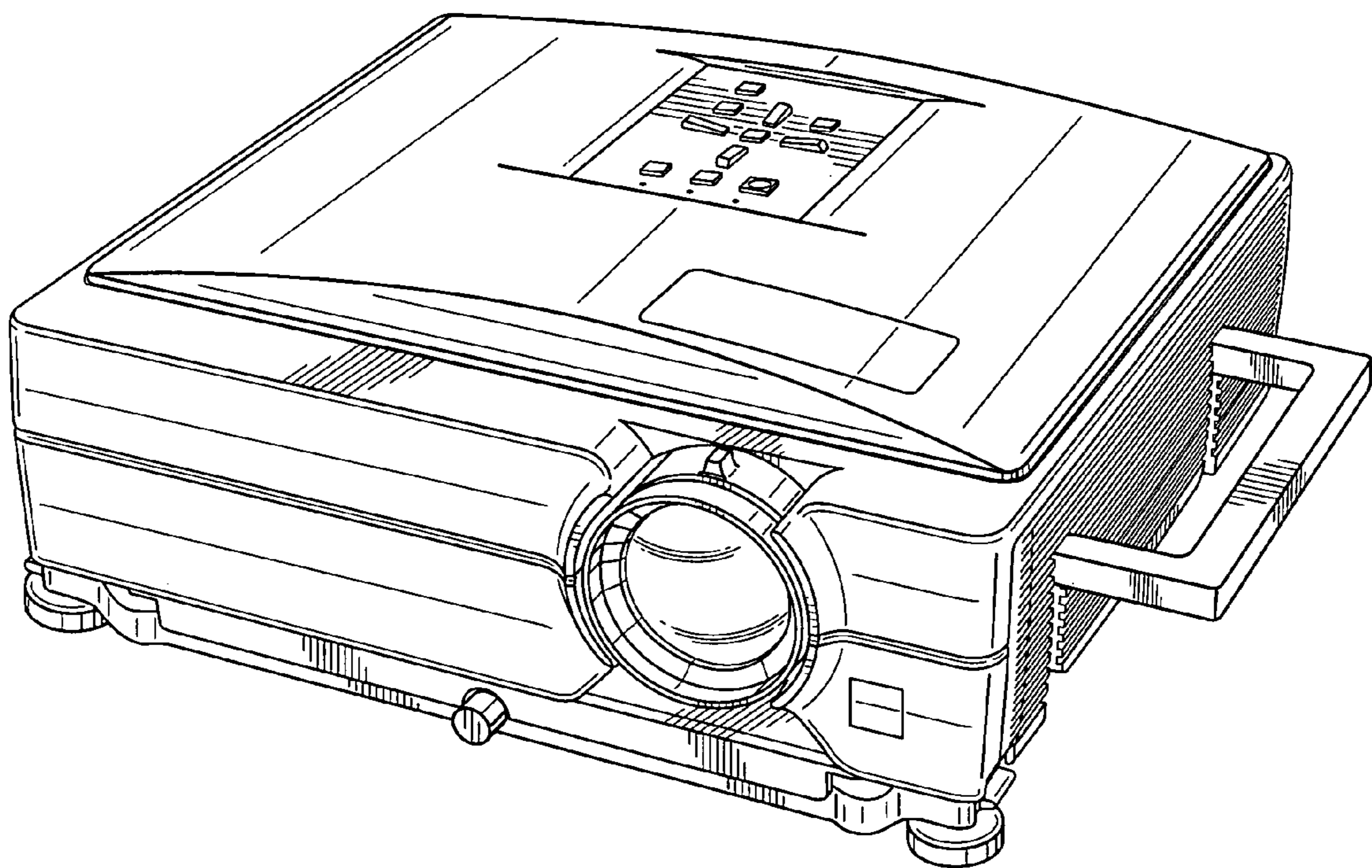


Fig. 8