



US00D566159S

(12) **United States Design Patent** (10) **Patent No.:** **US D566,159 S**
Ishii (45) **Date of Patent:** **** Apr. 8, 2008**

(54) **DIGITAL CAMERA**

2005/0134727 A1* 6/2005 Teramoto et al. 348/375
2006/0181639 A1* 8/2006 Ueda et al. 348/376

(75) Inventor: **Daisuke Ishii**, Tokyo (JP)

FOREIGN PATENT DOCUMENTS

(73) Assignee: **Sony Corporation**, Tokyo (JP)

JP D1155478 S 10/2002

(**) Term: **14 Years**

* cited by examiner

(21) Appl. No.: **29/271,999**

Primary Examiner—Ian Simmons

Assistant Examiner—Wan Laymon

(22) Filed: **Jan. 31, 2007**

(74) *Attorney, Agent, or Firm*—Rader, Fishman & Grauer, PLLC

(30) **Foreign Application Priority Data**

Oct. 16, 2006 (JP) D2006-027860

(57) **CLAIM**

(51) **LOC (8) Cl.** **16-05**

The ornamental design for a digital camera, as shown and described.

(52) **U.S. Cl.** **D16/219; D16/212**

(58) **Field of Classification Search** D16/200–206,
D16/208, 211–212, 218; 348/373–376; 358/906,
358/909.1; 396/535–541, 248, 448
See application file for complete search history.

DESCRIPTION

FIG. 1 is a perspective view of a digital camera showing my new design;

FIG. 2 is a front elevational view thereof;

FIG. 3 is a rear elevational view thereof;

FIG. 4 is a left side elevational view thereof;

FIG. 5 is a right side elevational view thereof;

FIG. 6 is a top plan view thereof; and,

FIG. 7 is a bottom plan view thereof.

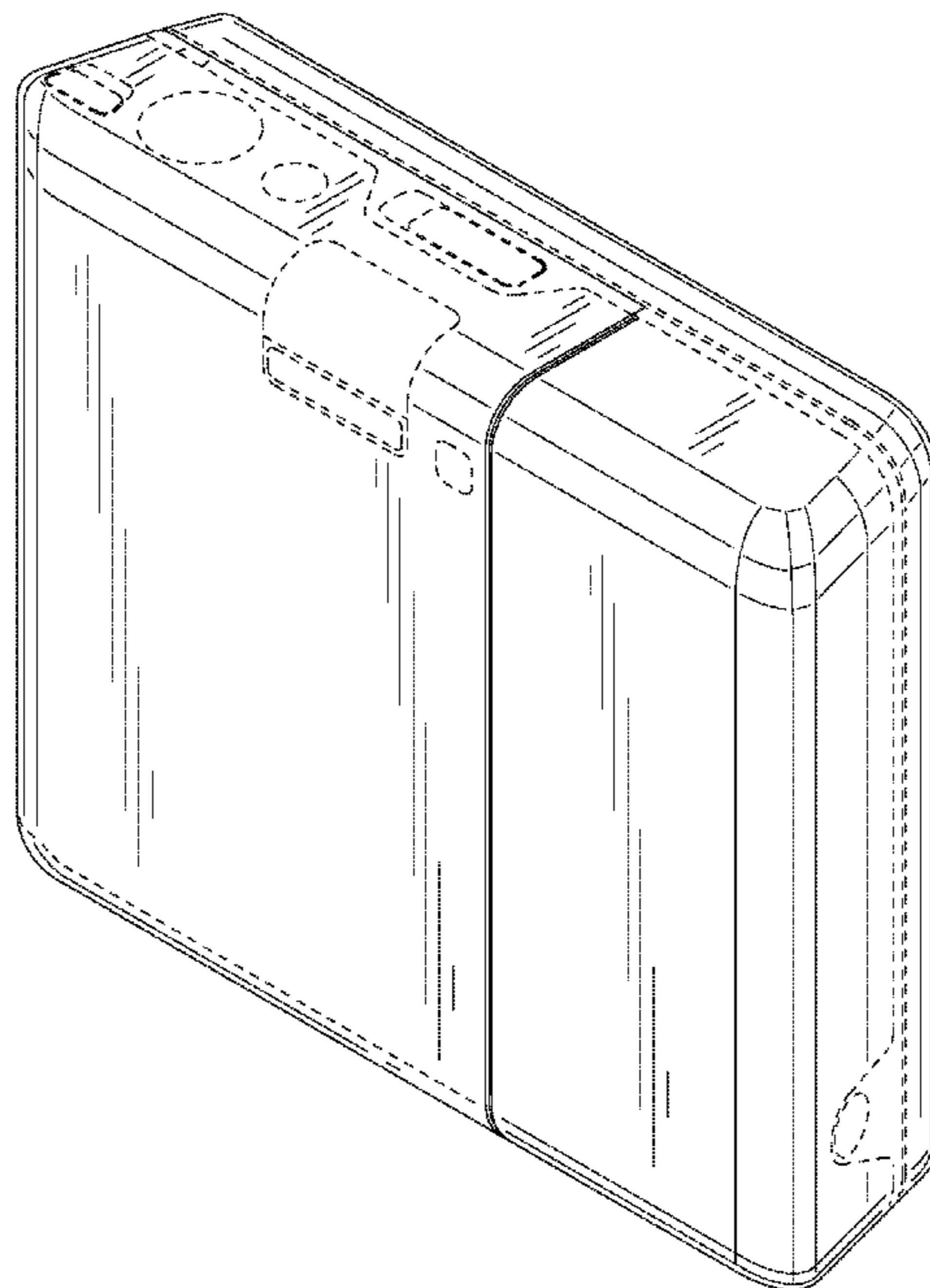
The broken lines shown in the drawing that are immediately adjacent to the shaded areas and define unshaded regions represent the bounds of the claimed design, while all other broken lines are directed to environment and are for illustrative purposes only; the broken lines form no part of the claimed design.

(56) **References Cited**

U.S. PATENT DOCUMENTS

- 5,005,032 A * 4/1991 Burnham 396/535
- 5,557,356 A * 9/1996 Ishida et al. 396/537
- D423,543 S * 4/2000 Hashimoto et al. D16/212
- D436,611 S * 1/2001 Yoshida et al. D16/219
- D470,523 S * 2/2003 Basmadjian et al. D16/212
- D491,970 S 6/2004 Ikenaga
- 6,796,727 B2 * 9/2004 Tanabe 396/535
- D500,777 S 1/2005 Basmadjian et al.
- D508,711 S 8/2005 Suzuki
- D519,539 S 4/2006 Takagi
- D521,043 S 5/2006 Takagi
- D522,558 S * 6/2006 Murray D16/212
- D541,834 S * 5/2007 Horikiri et al. D16/202

1 Claim, 7 Drawing Sheets



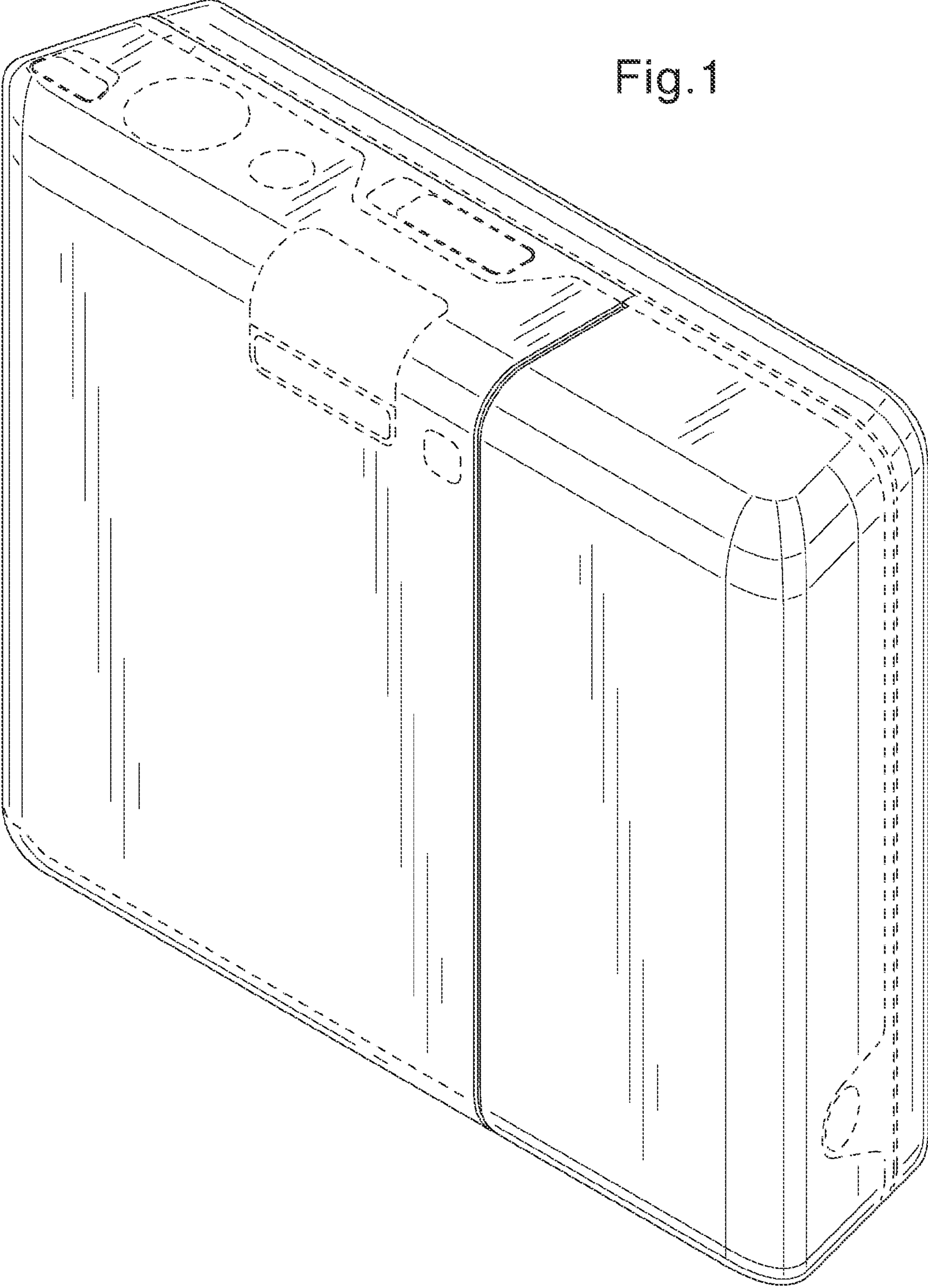


Fig. 1

Fig. 2

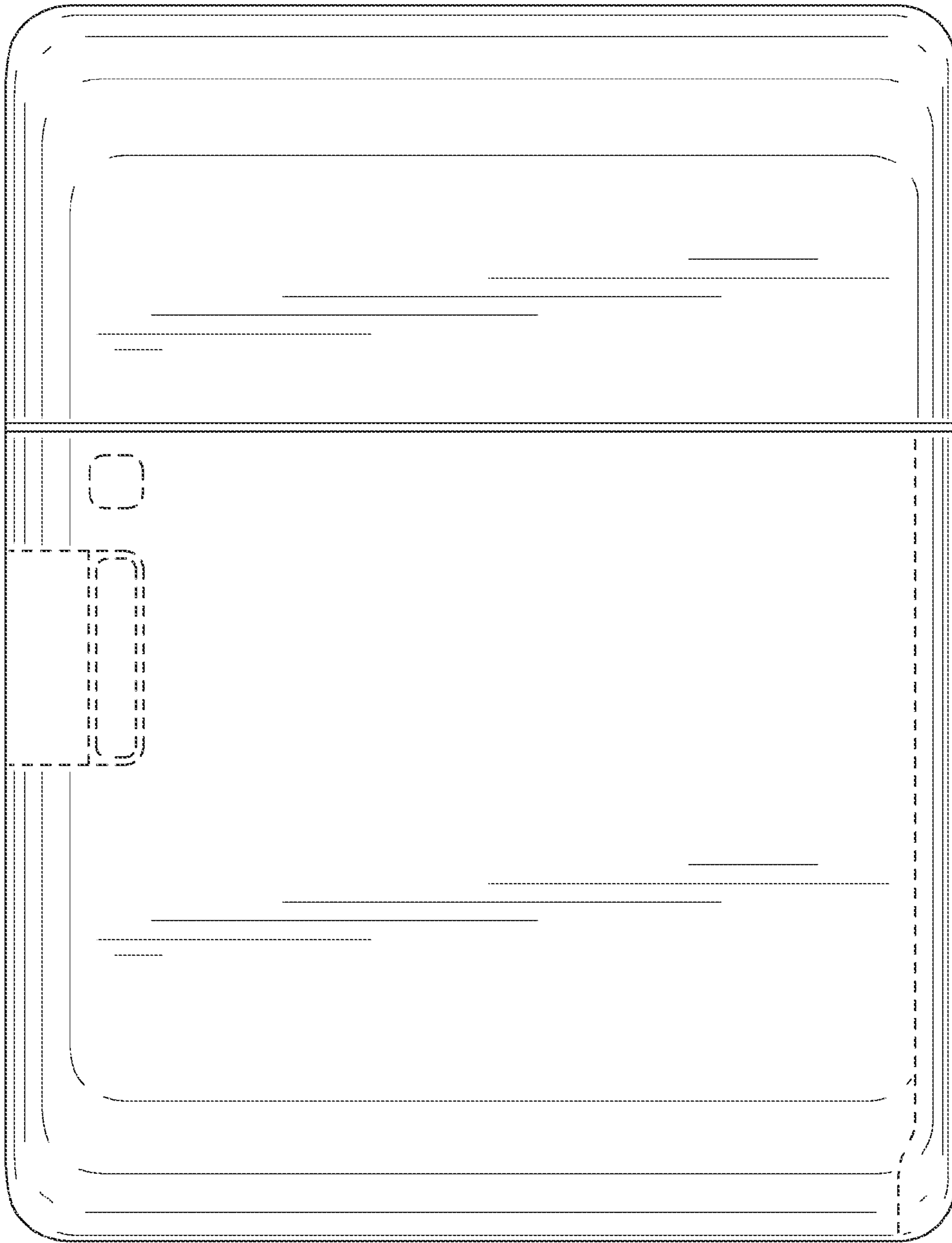


Fig.3

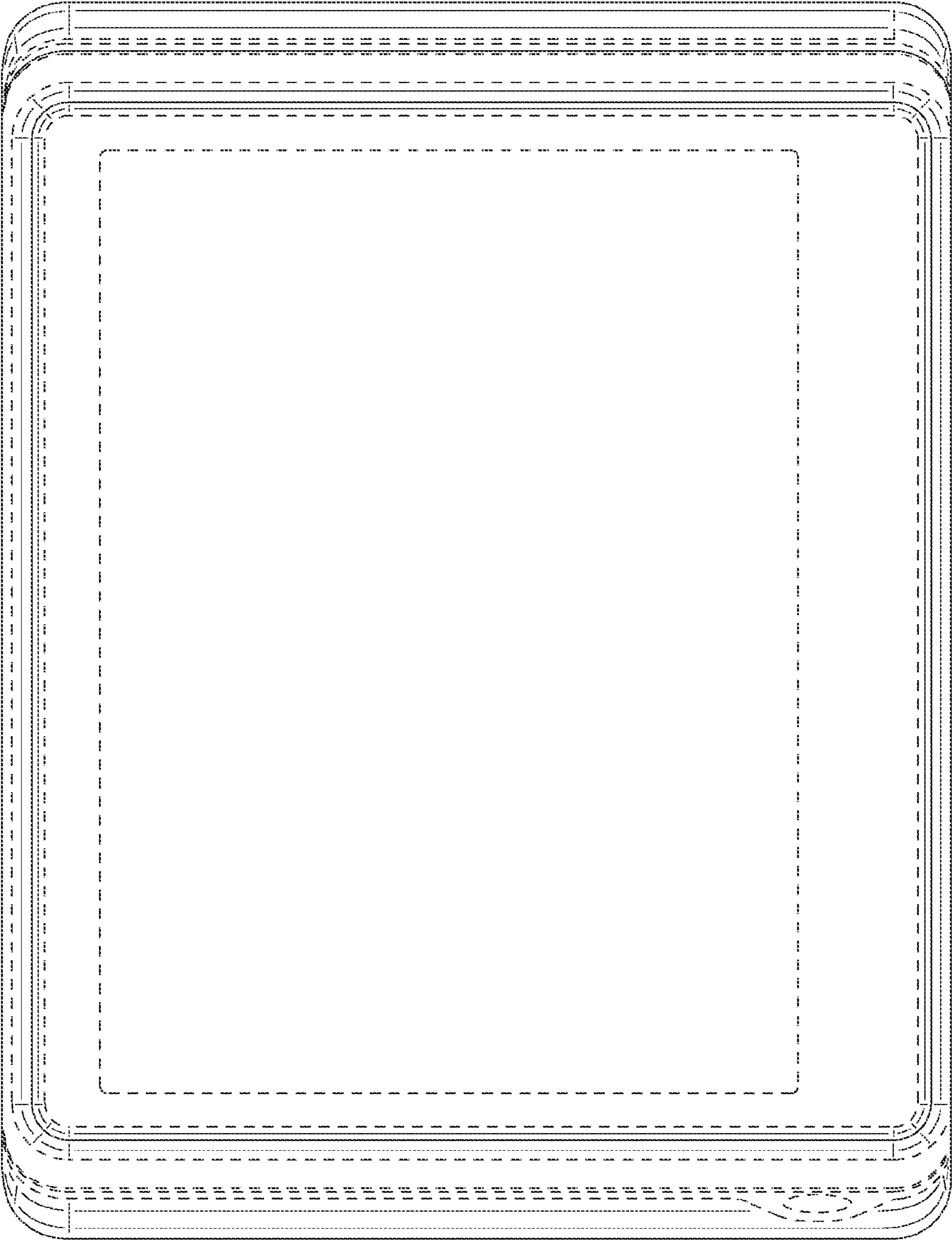


Fig.4

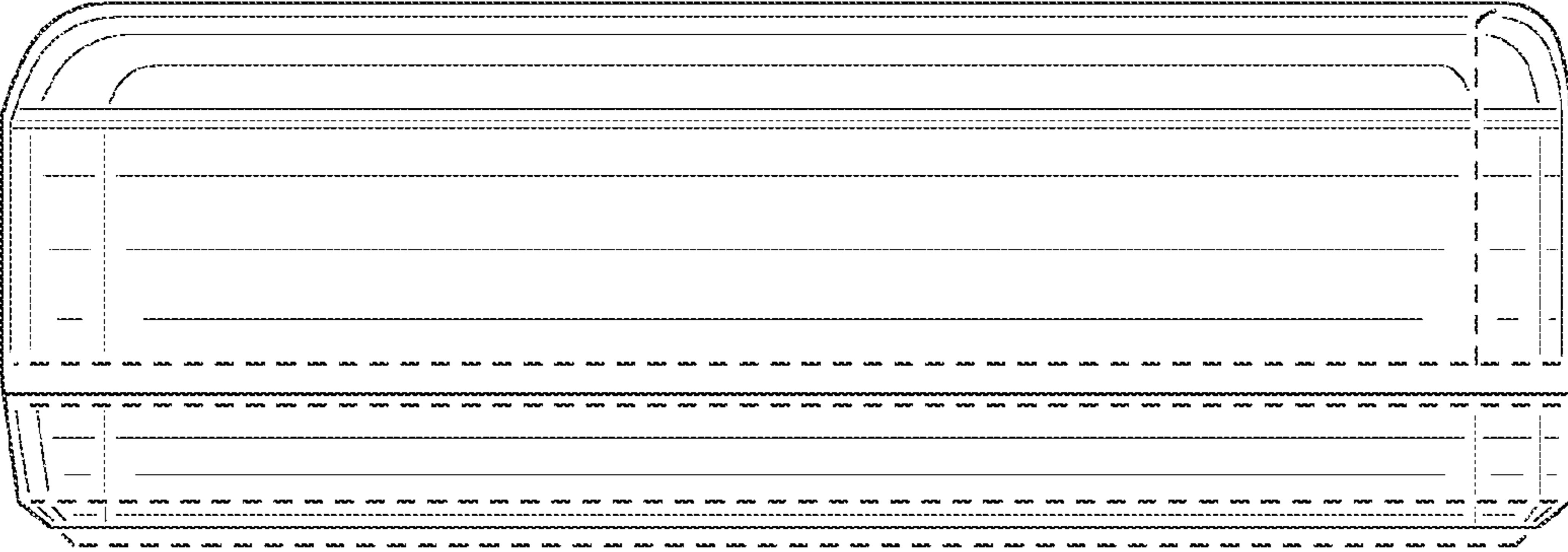


Fig. 5

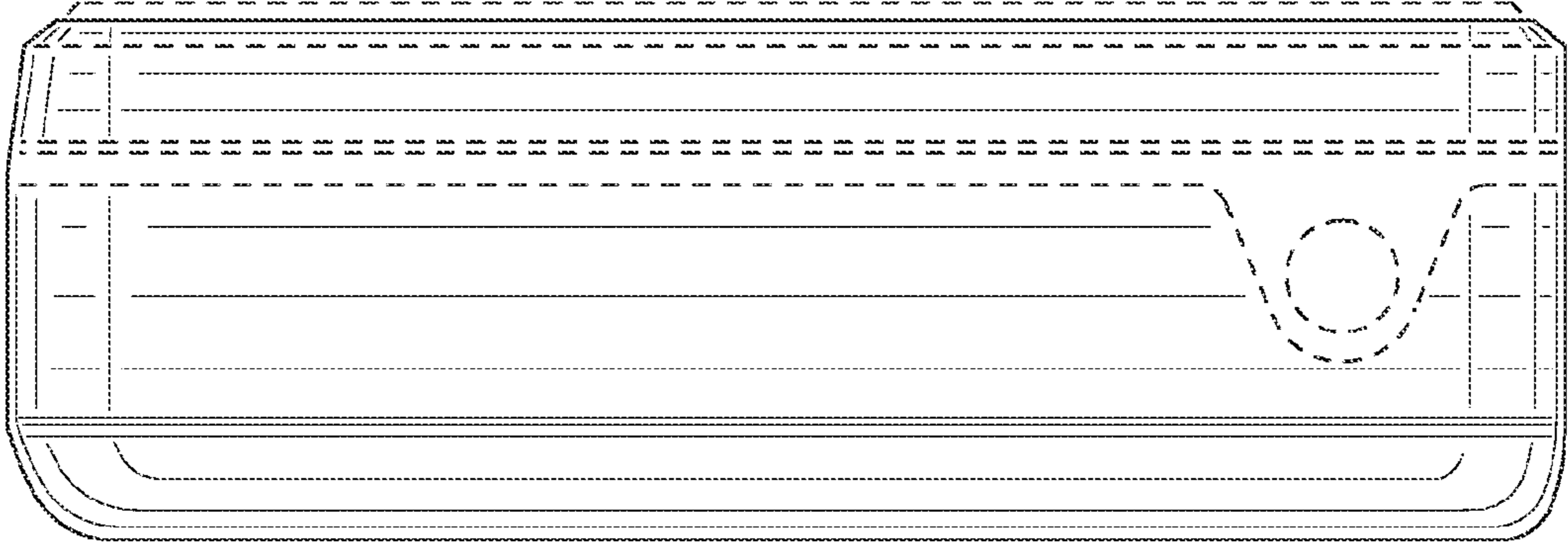


Fig.6

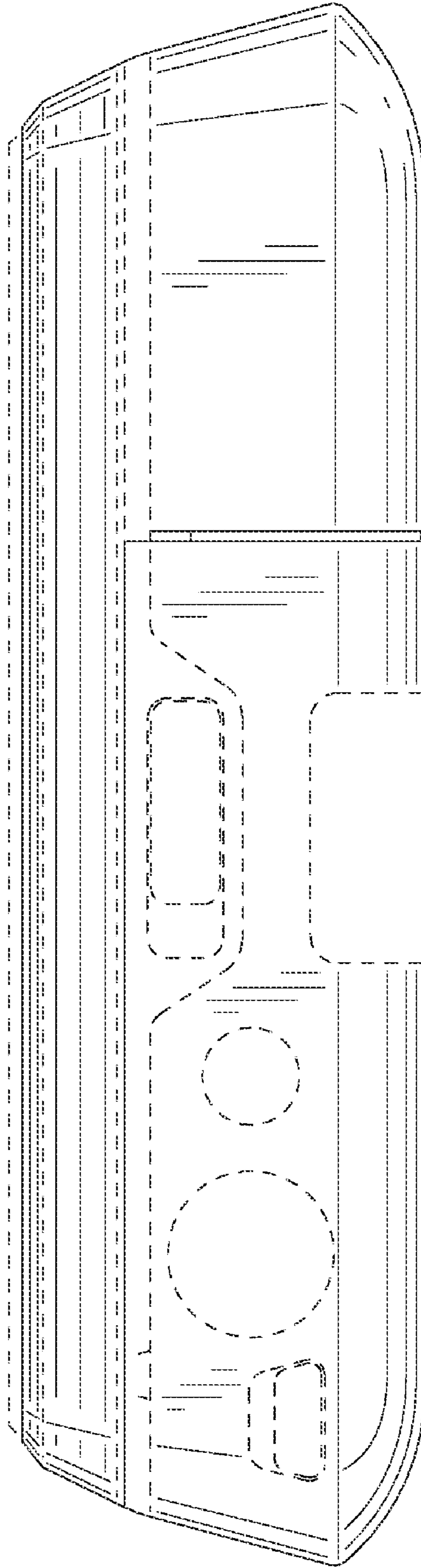


Fig. 7

