



US00D566158S

(12) **United States Design Patent**
Yasutomi

(10) **Patent No.:** **US D566,158 S**

(45) **Date of Patent:** **** *Apr. 8, 2008**

(54) **CAMERA LENS**

(75) Inventor: **Hiroshi Yasutomi**, Tokyo (JP)

(73) Assignee: **Sony Corporation**, Tokyo (JP)

(*) Notice: This patent is subject to a terminal disclaimer.

(**) Term: **14 Years**

(21) Appl. No.: **29/267,844**

(22) Filed: **Oct. 24, 2006**

(30) **Foreign Application Priority Data**

May 24, 2006 (JP) D2006-013095

(51) **LOC (8) Cl.** **16-05**

(52) **U.S. Cl.** **D16/219; D16/134**

(58) **Field of Classification Search** D16/134,
D16/136, 200, 202, 203, 204, 219; 348/373-376;
358/909.1; 359/811, 815, 819, 826, 827,
359/828; 396/529-532, 535, 540, 541, 544
See application file for complete search history.

(56) **References Cited**

U.S. PATENT DOCUMENTS

D248,766 S * 8/1978 Arai D16/134
D251,669 S * 4/1979 Ueda et al. D16/134
D302,169 S 7/1989 Kimura et al.
D302,984 S 8/1989 Kimura et al.

D303,976 S * 10/1989 Kimura et al. D16/134
5,060,005 A * 10/1991 Itoh et al. 396/532
D341,611 S * 11/1993 Takahashi D16/219
5,305,036 A * 4/1994 Tanaka 396/529
D375,969 S * 11/1996 Watanabe D16/134
5,732,303 A * 3/1998 Choi 396/532
D425,088 S * 5/2000 Watanabe D16/219
D428,428 S * 7/2000 Ono D16/134
D500,068 S 12/2004 Hayashi

* cited by examiner

Primary Examiner—Adir Aronovich

(74) *Attorney, Agent, or Firm*—Rader, Fishman & Grauer, PLLC

(57) **CLAIM**

The ornamental design for a camera lens, as shown.

DESCRIPTION

FIG. 1 is a perspective view of a camera lens showing my new design;

FIG. 2 is a front elevational view thereof;

FIG. 3 is a rear elevational view thereof;

FIG. 4 is a left side elevational view thereof;

FIG. 5 is a right side elevational view thereof;

FIG. 6 is a top plan view thereof; and,

FIG. 7 is a bottom plan view thereof.

1 Claim, 7 Drawing Sheets

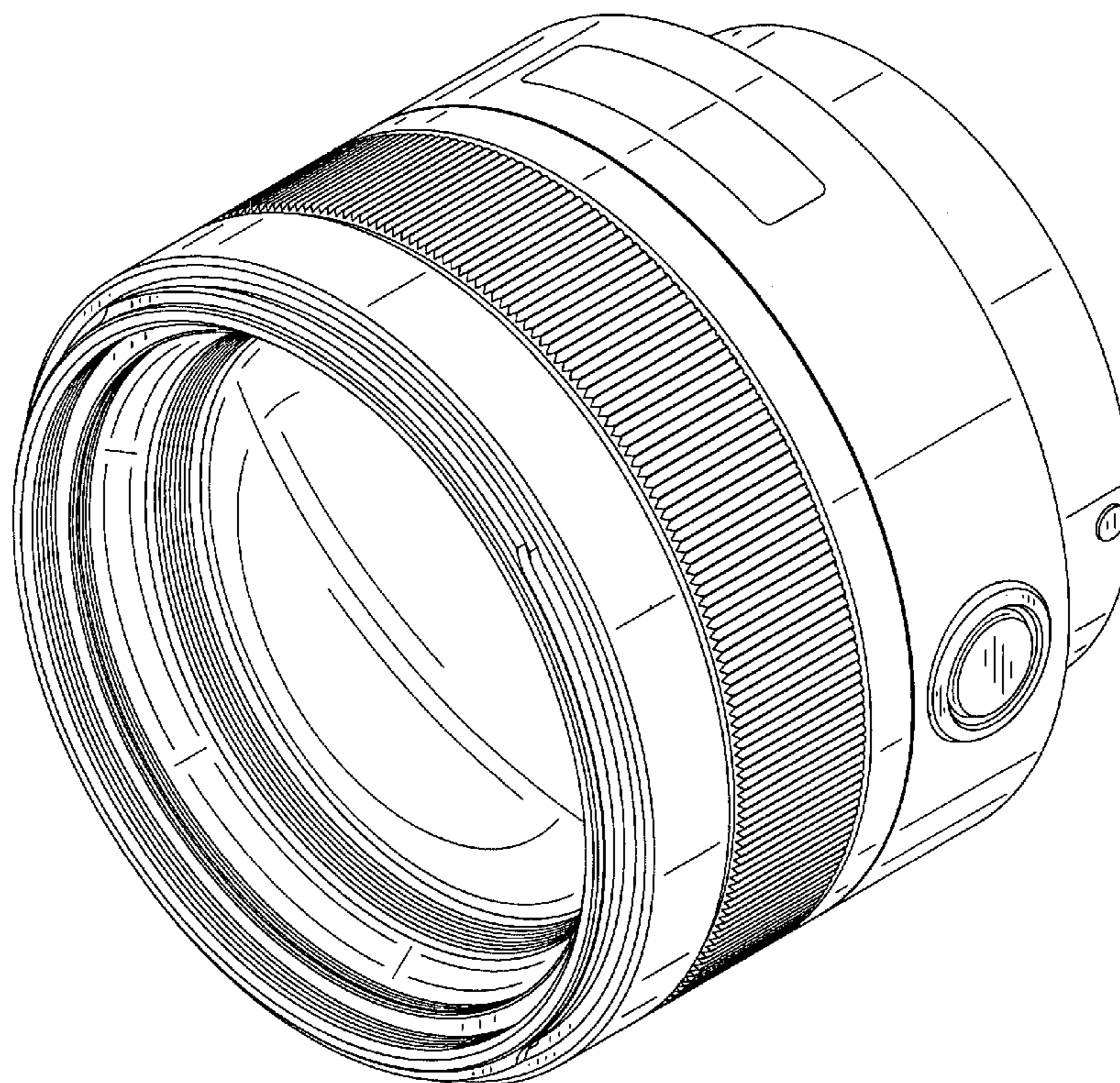


Fig. 1

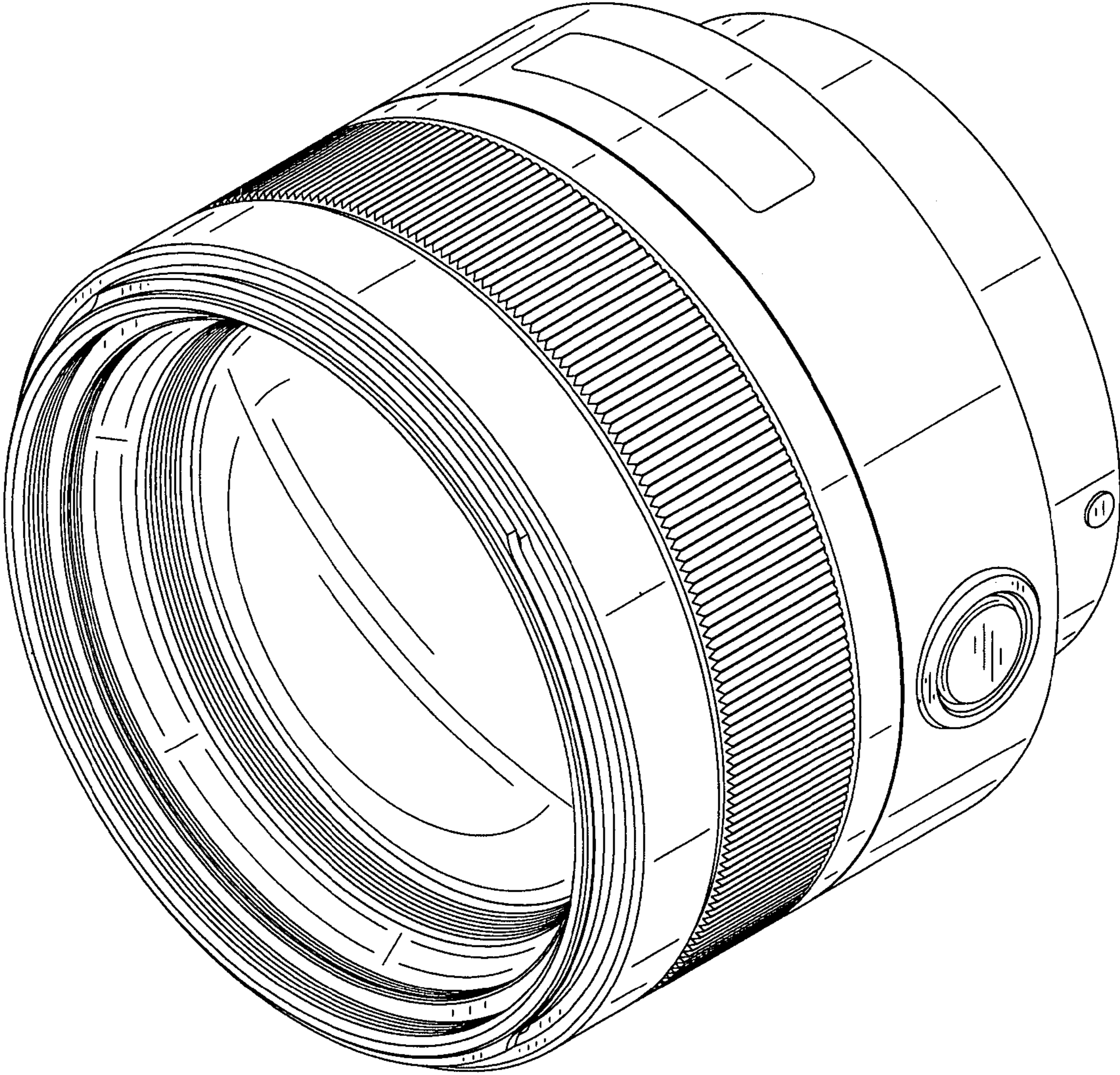


Fig.2

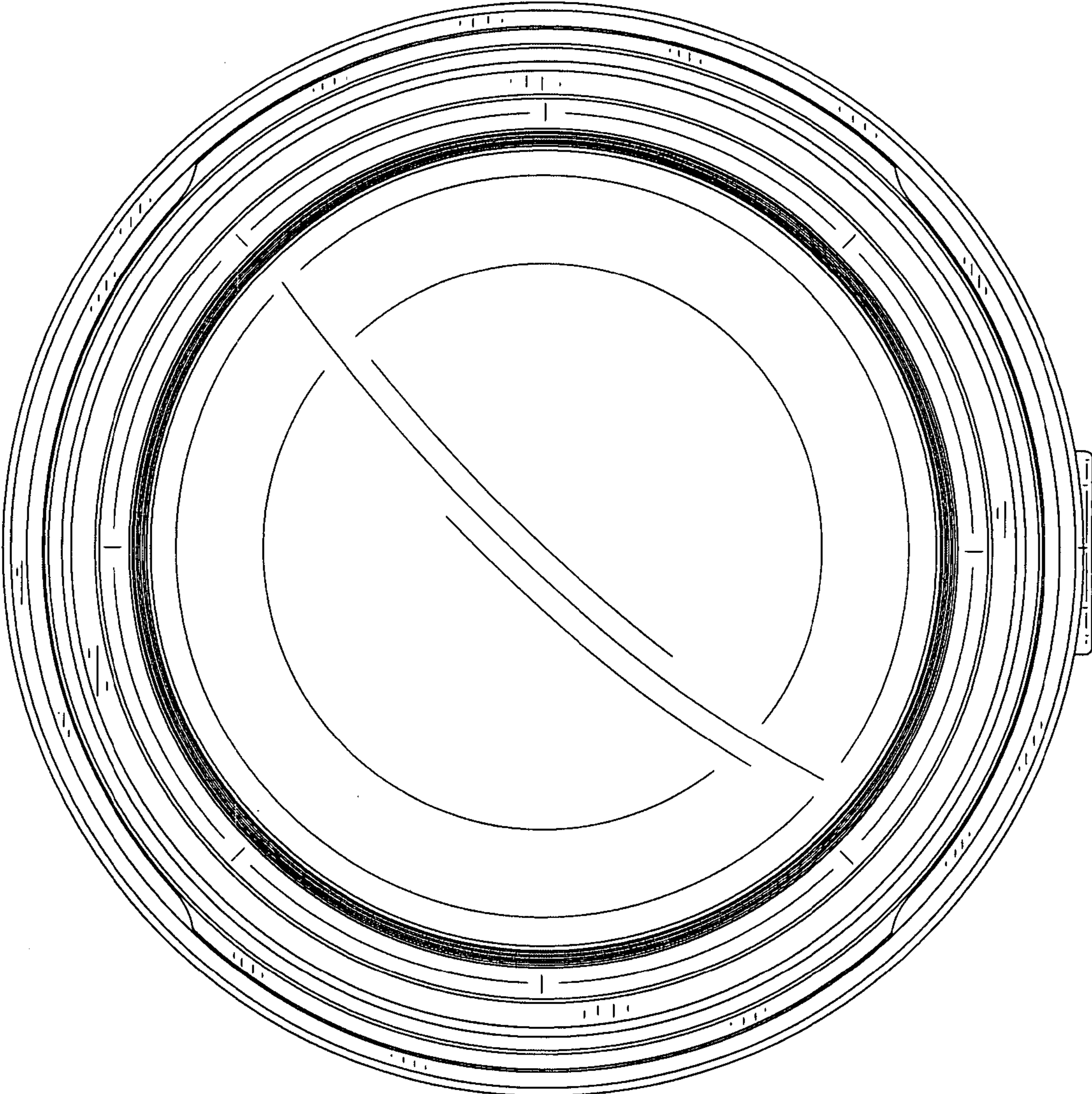


Fig.3

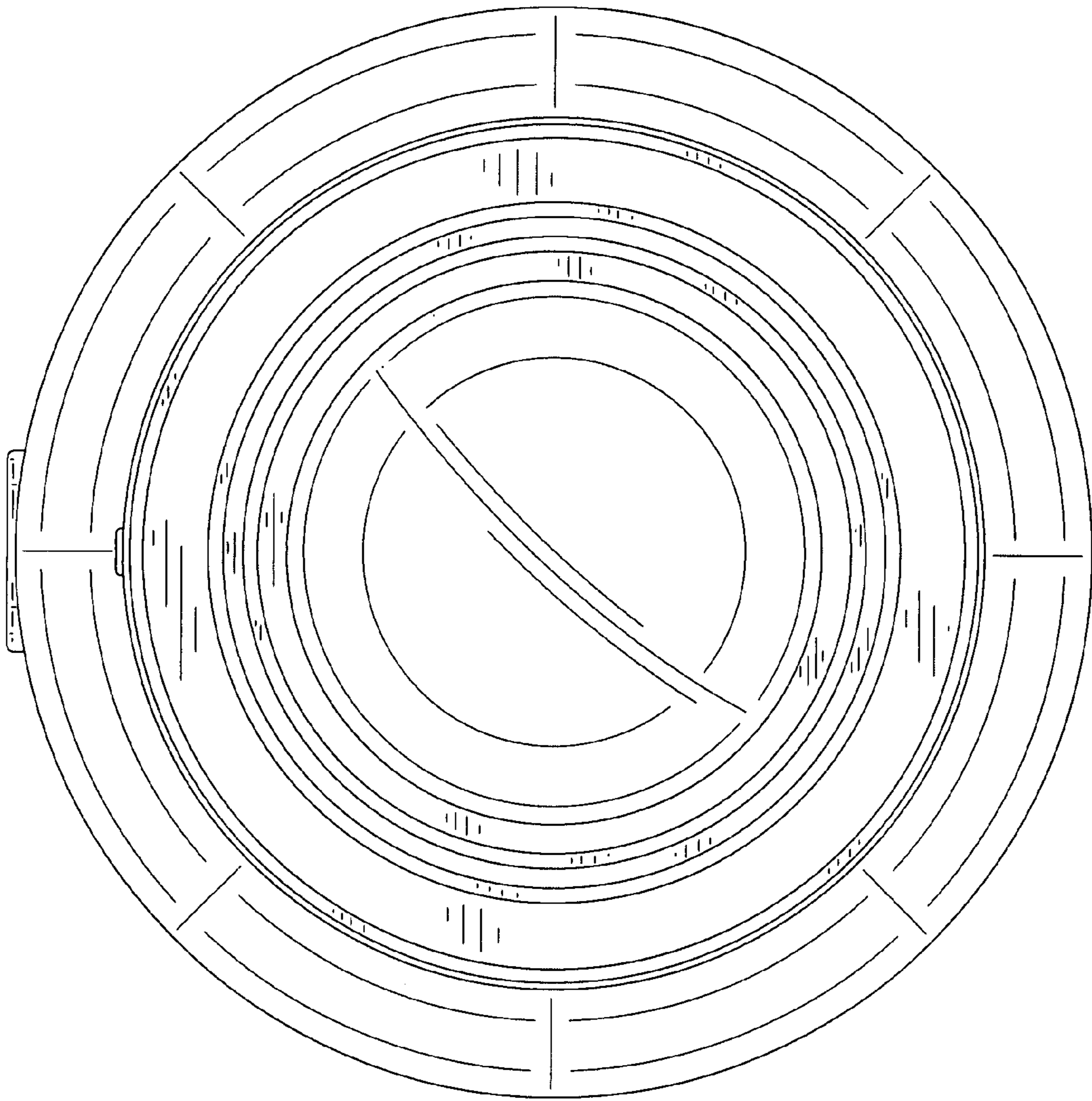


Fig.4

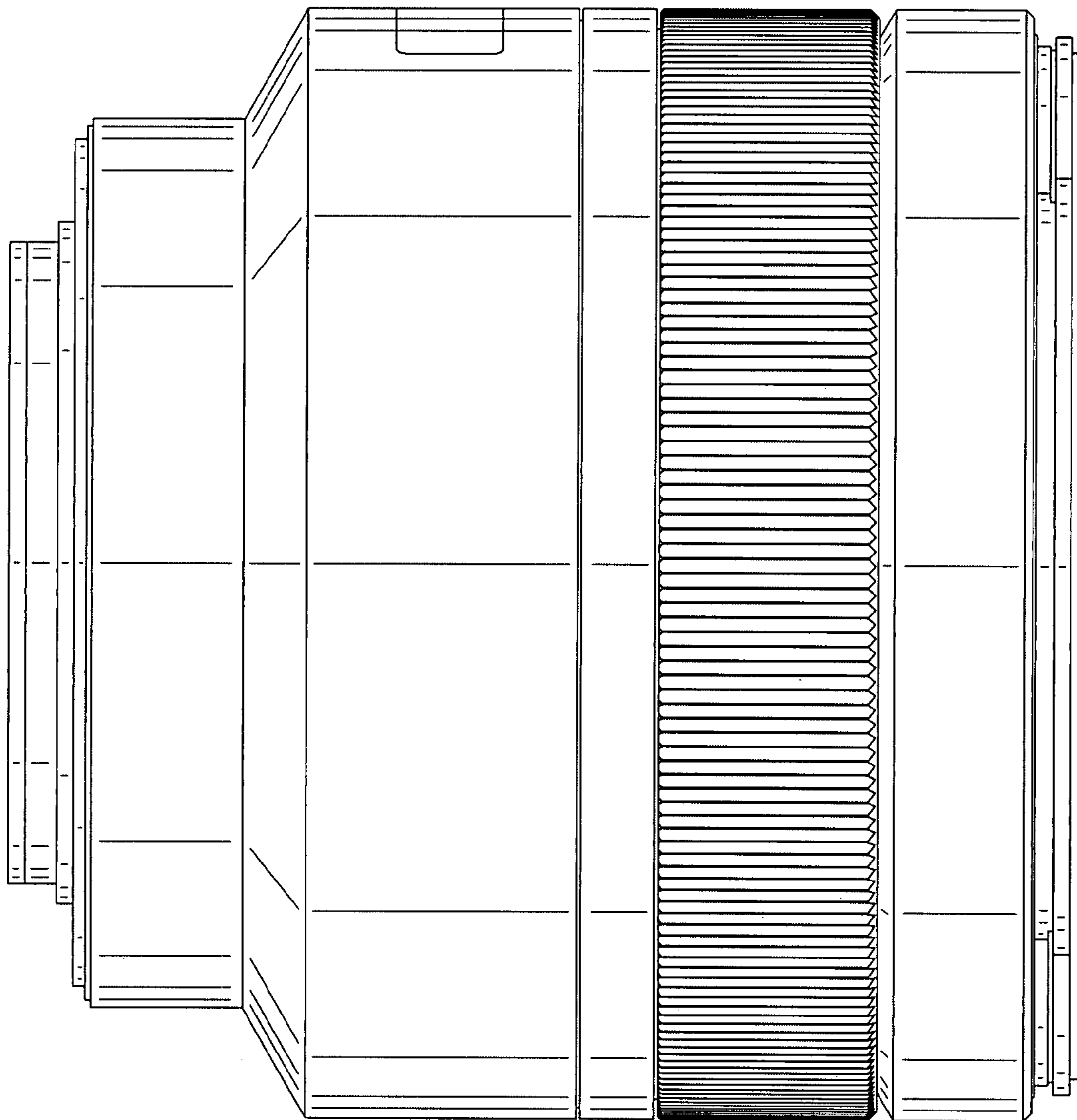


Fig.5

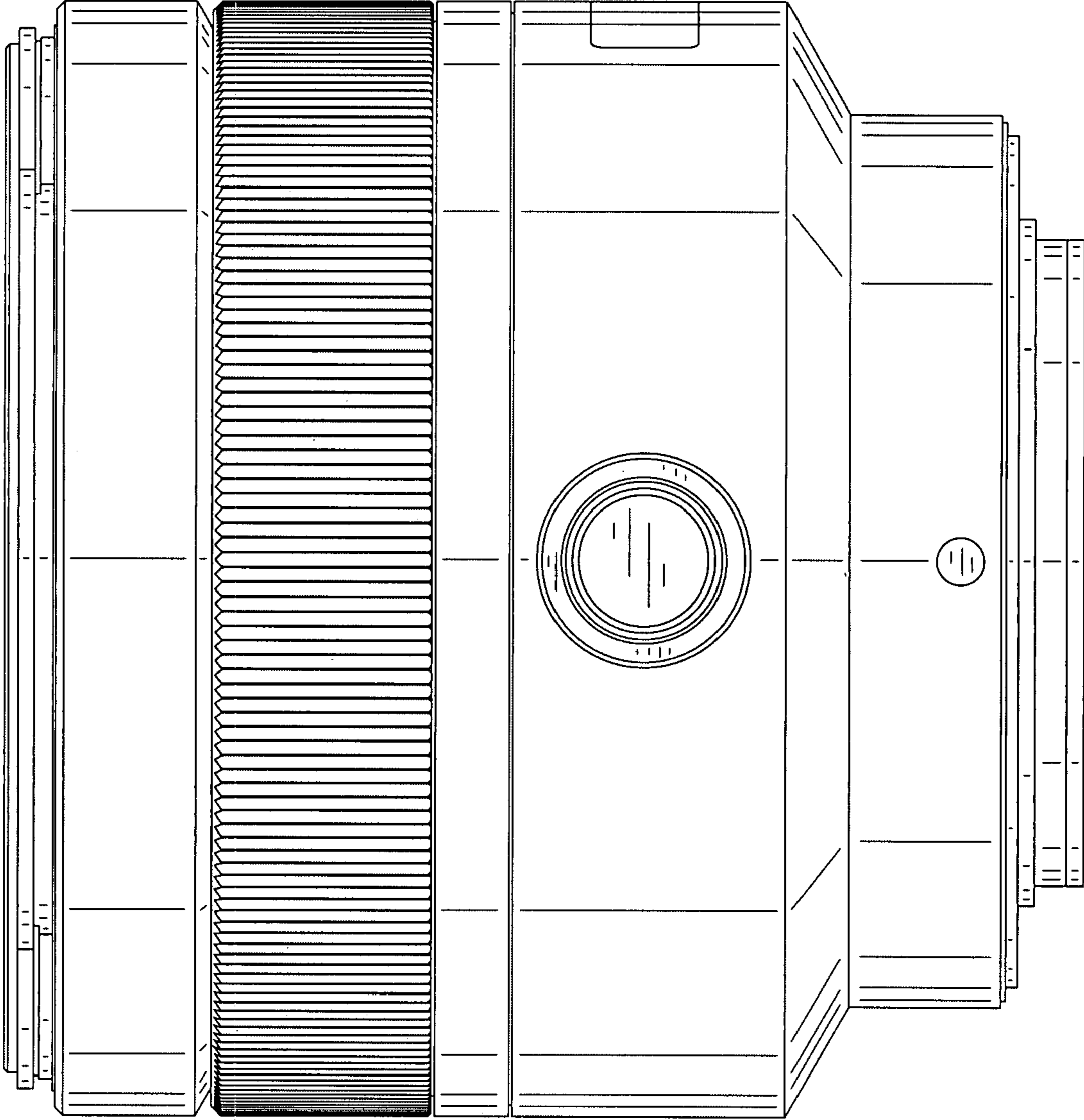


Fig.6

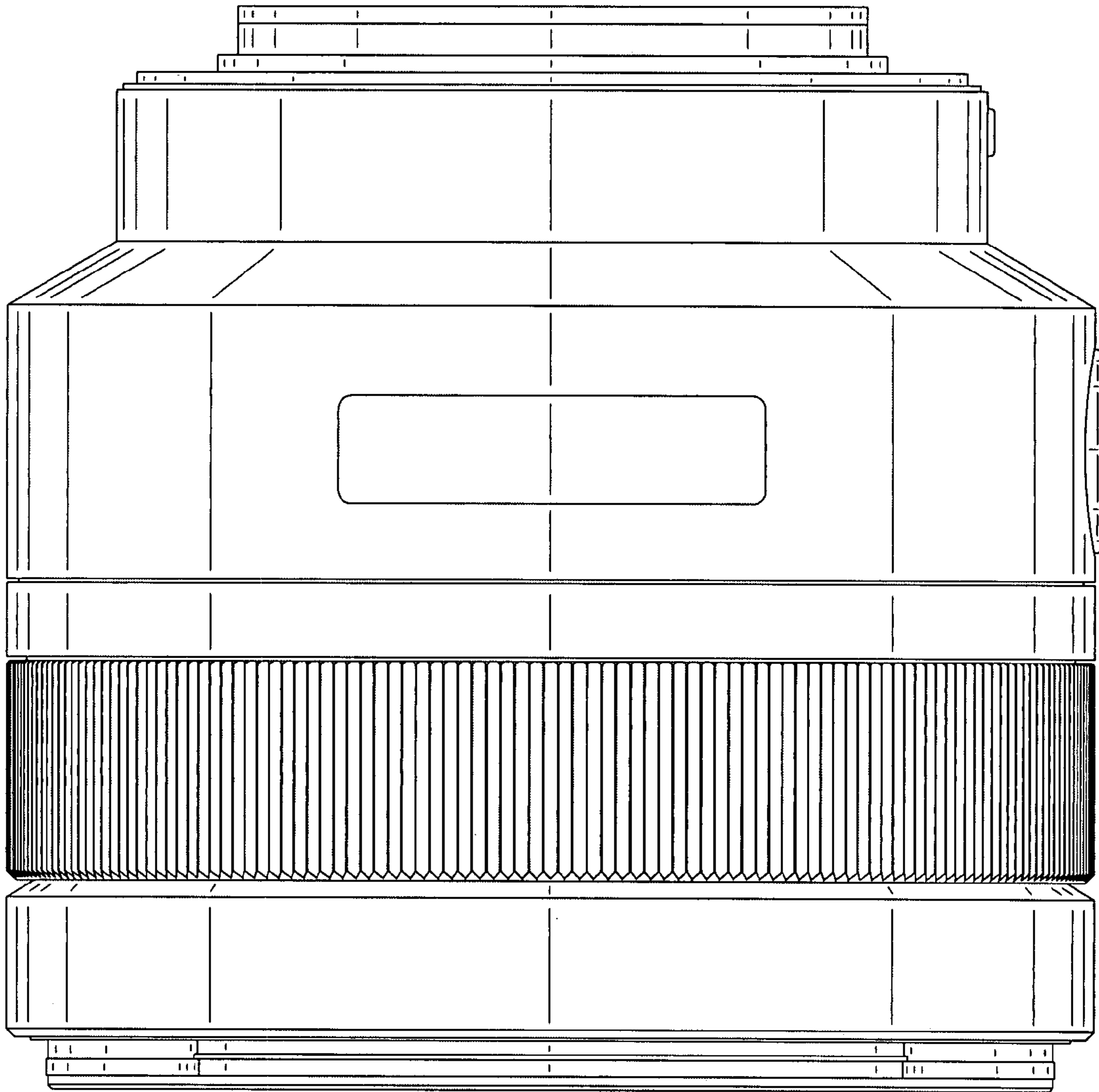


Fig.7

