



US00D566157S

(12) **United States Design Patent**
Naito et al.

(10) **Patent No.:** **US D566,157 S**
(45) **Date of Patent:** **** Apr. 8, 2008**

(54) **DIGITAL CAMERA**

(75) Inventors: **Yoshitaka Naito**, Ome (JP); **Koji Suzuki**, Hachioji (JP)

(73) Assignee: **Olympus Imaging Corp.**, Tokyo (JP)

(**) Term: **14 Years**

(21) Appl. No.: **29/264,380**

(22) Filed: **Aug. 7, 2006**

(30) **Foreign Application Priority Data**

Aug. 2, 2006 (JP) 2006-020358

(51) **LOC (8) Cl.** **16-01**

(52) **U.S. Cl.** **D16/219; D16/202**

(58) **Field of Classification Search** D16/200-206,
D16/208, 217-219, 243, 209, 237; 348/373-376,
348/143; 358/909.1; 396/535-541, 427
See application file for complete search history.

(56) **References Cited**

U.S. PATENT DOCUMENTS

- D371,377 S * 7/1996 Miyahara D16/202
- D452,260 S * 12/2001 Petravac et al. D16/243
- D456,832 S * 5/2002 Serbinski et al. D16/243
- D462,706 S * 9/2002 Hamamura D16/202
- D475,388 S * 6/2003 Kondo D16/209
- D484,166 S * 12/2003 Senda D16/219
- D503,186 S * 3/2005 Horikiri D16/243

- D523,052 S * 6/2006 Kuroda D16/202
- D524,351 S * 7/2006 Haga D16/219
- D536,015 S * 1/2007 Hanafusa D16/219
- D536,358 S * 2/2007 Hanafusa D16/219

* cited by examiner

Primary Examiner—Ian Simmons

Assistant Examiner—Wan Laymon

(74) *Attorney, Agent, or Firm*—Straub and Pokotylo; John C. Pokotylo

(57) **CLAIM**

We claim the ornamental design for a digital camera, as shown and described.

DESCRIPTION

FIG. 1 is a front, top and left side perspective view of a digital camera showing our new design;

FIG. 2 is a rear, top and left side perspective view thereof;

FIG. 3 is a front elevational view thereof;

FIG. 4 is a rear elevational view thereof;

FIG. 5 is a top plan view thereof;

FIG. 6 is a bottom plan view thereof;

FIG. 7 is a right side elevational view thereof; and,

FIG. 8 is a left side elevational view thereof.

The broken lines in the figures are for illustrative purposes only and form no part of the claimed design.

1 Claim, 4 Drawing Sheets

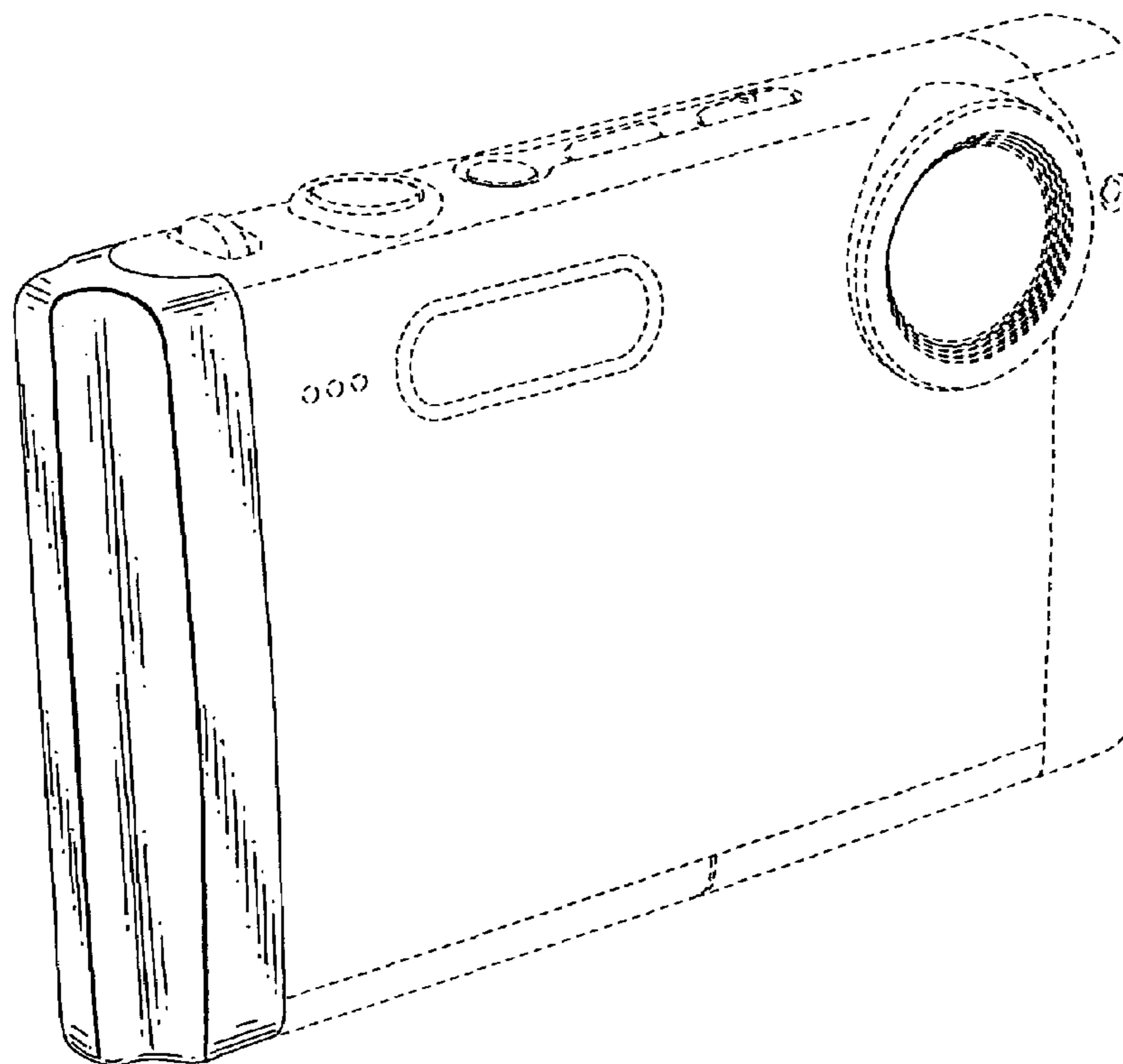


FIG. 1

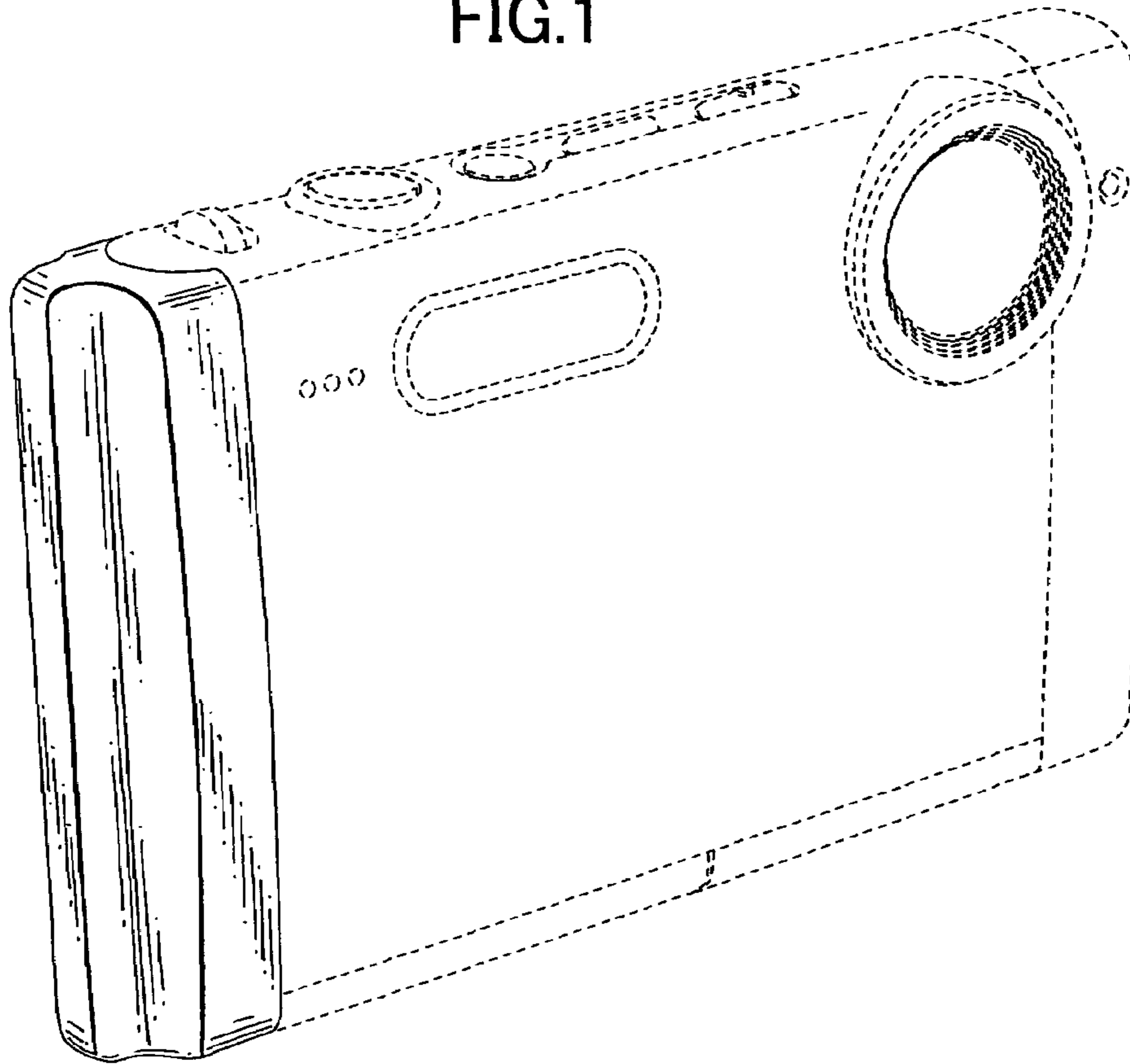


FIG. 2

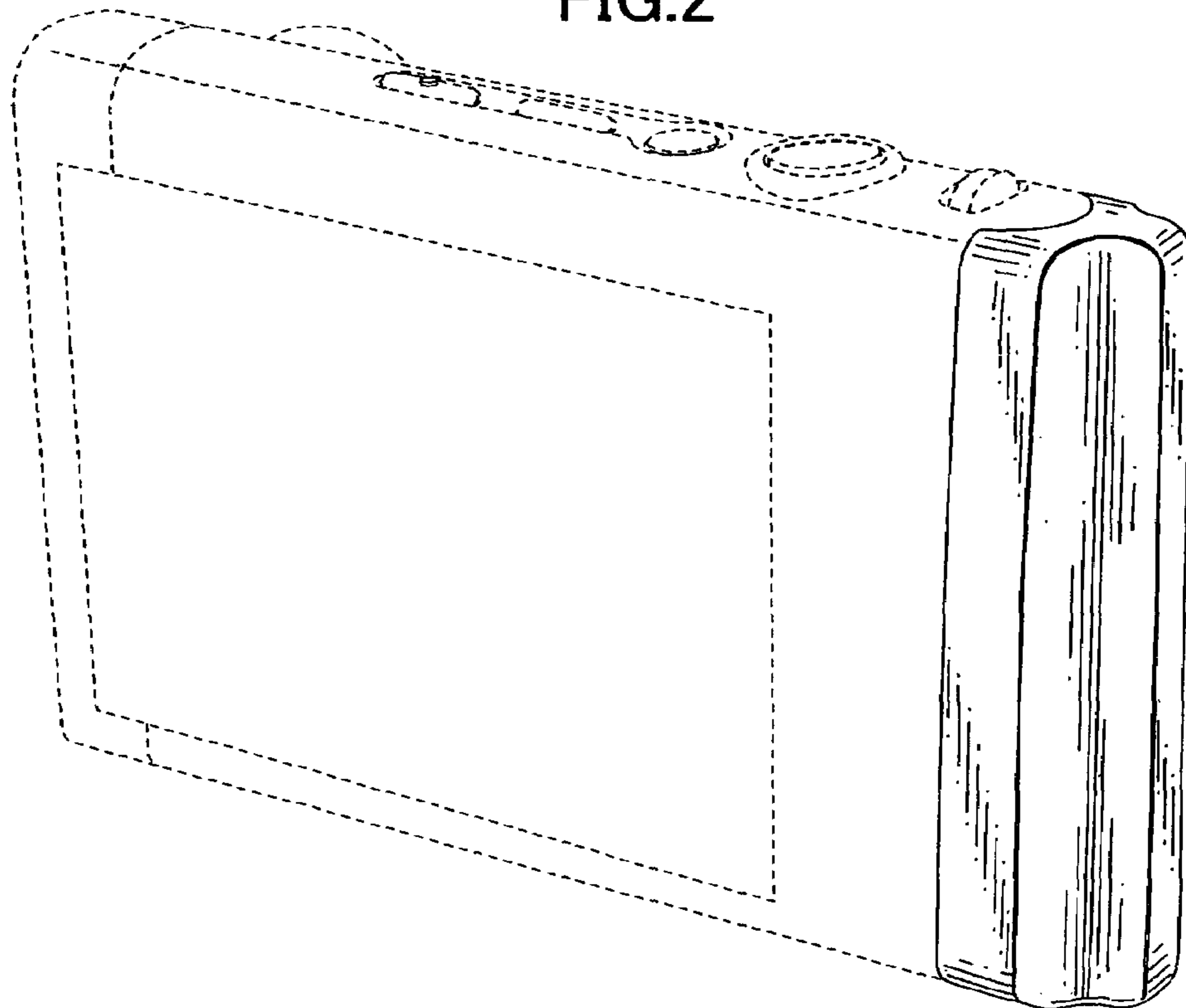


FIG.3

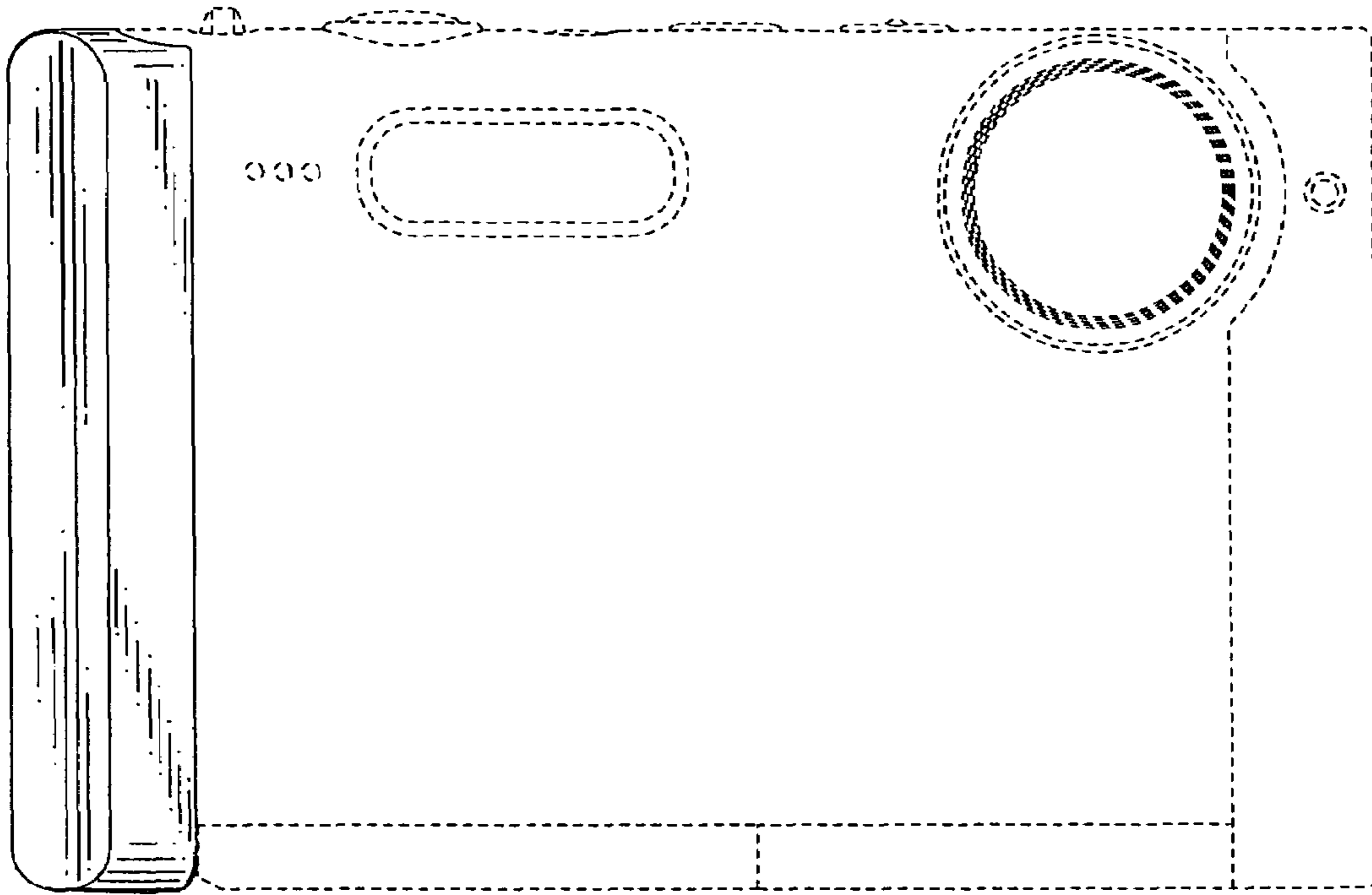


FIG.4

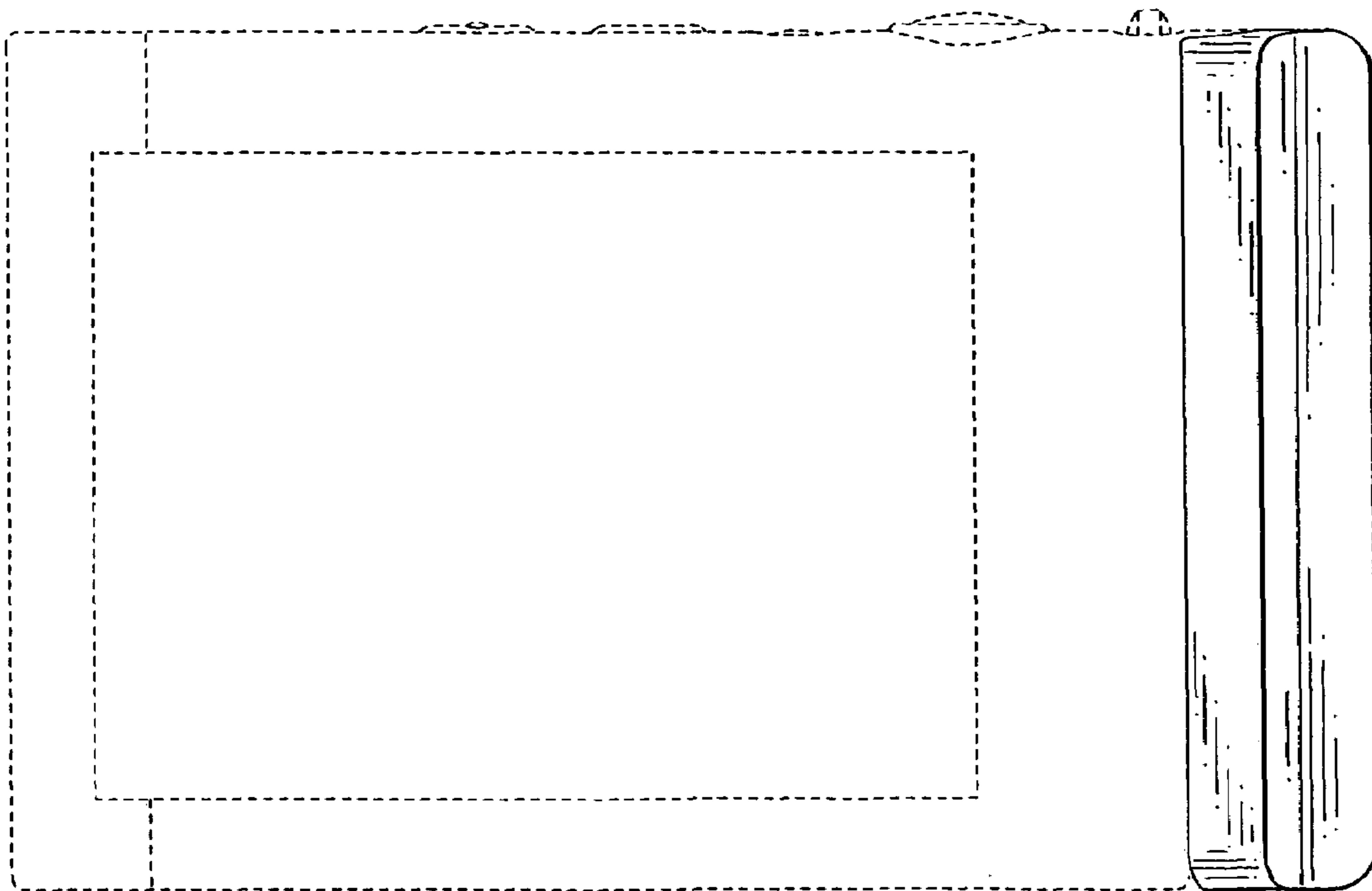


FIG.5

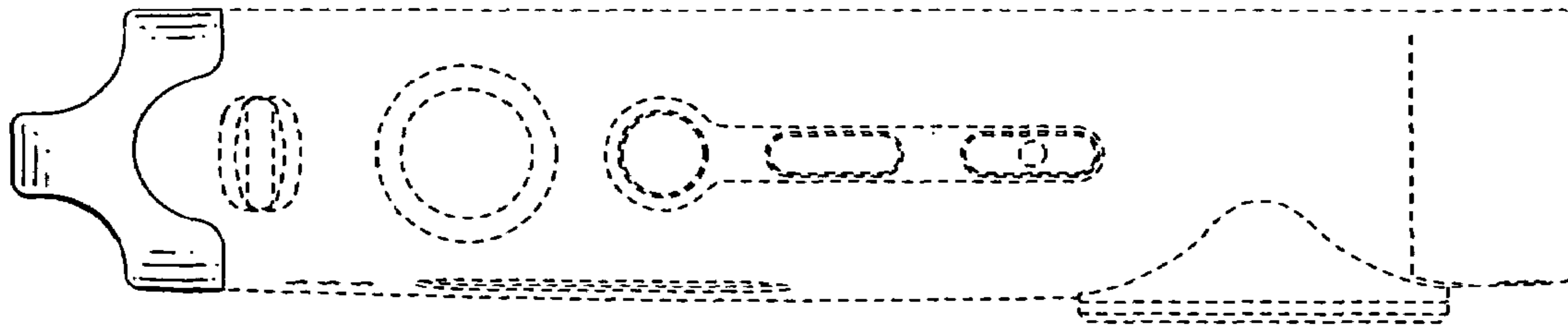


FIG.6

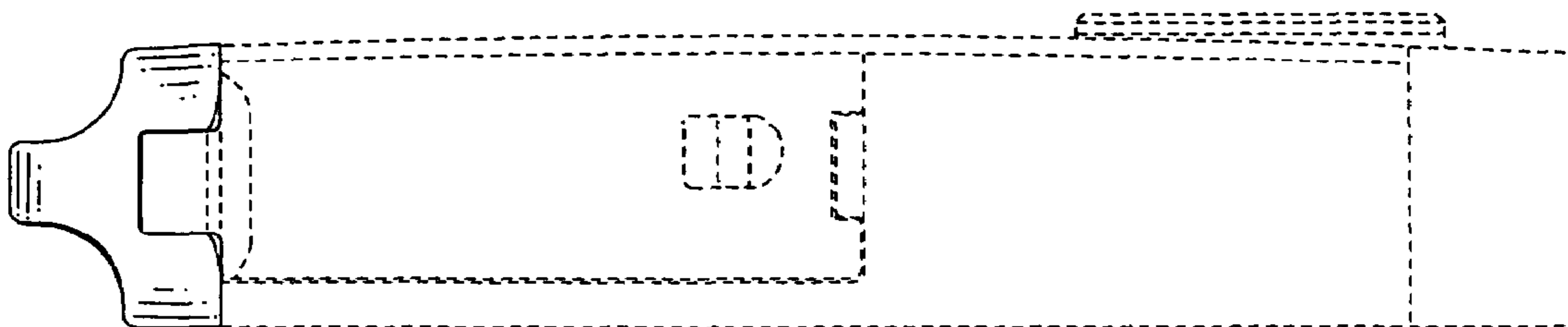


FIG.7

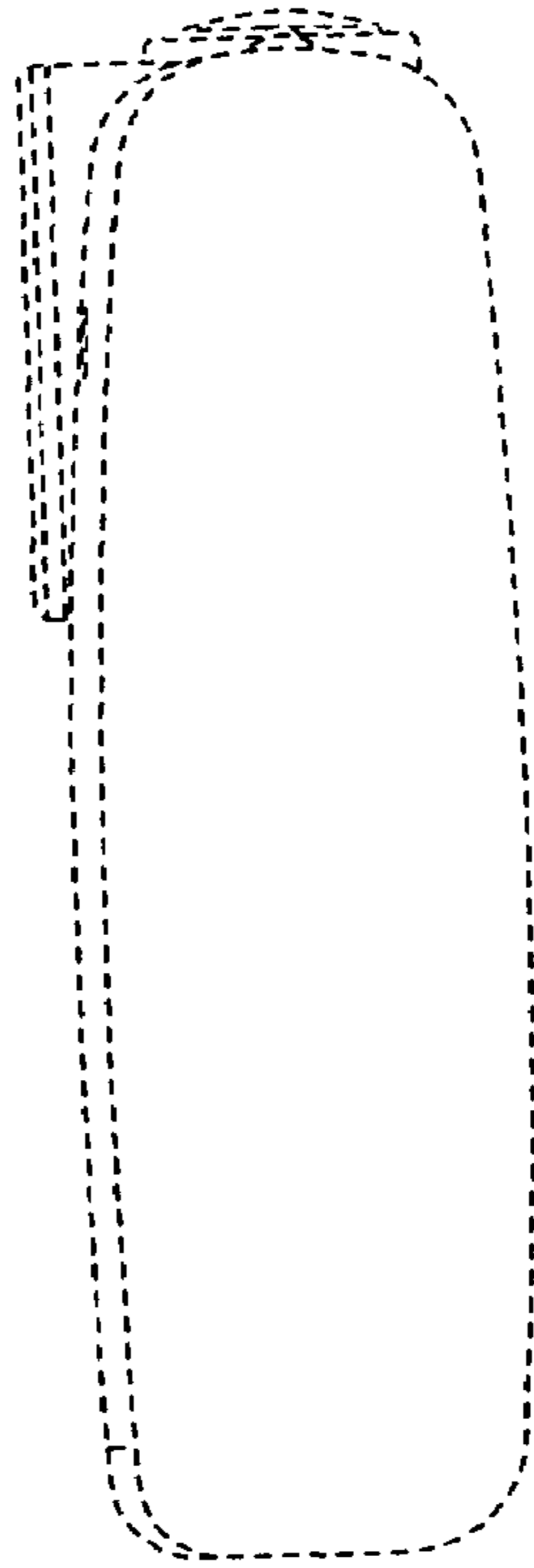


FIG.8

