

US00D566156S

(12) **United States Design Patent**
Tainaka

(10) **Patent No.:** **US D566,156 S**

(45) **Date of Patent:** **** Apr. 8, 2008**

(54) **DIGITAL CAMERA**

D547,784 S * 7/2007 Shimobayashi D16/202
D548,254 S * 8/2007 Tainaka D16/202

(75) Inventor: **Daisuke Tainaka**, Hachioji (JP)

* cited by examiner

(73) Assignee: **Olympus Imaging Corp.**, Tokyo (JP)

Primary Examiner—Ian Simmons

Assistant Examiner—Wan Laymon

(**) Term: **14 Years**

(74) *Attorney, Agent, or Firm*—Straub and Pokotylo; John C. Pokotylo

(21) Appl. No.: **29/263,784**

(22) Filed: **Jul. 28, 2006**

(57) **CLAIM**

(30) **Foreign Application Priority Data**

Jul. 21, 2006 (JP) 2006-019285

The ornamental design for a digital camera, as shown and described.

(51) **LOC (8) Cl.** **16-01**

DESCRIPTION

(52) **U.S. Cl.** **D16/219**; D16/202

(58) **Field of Classification Search** D16/200–206,
D16/208, 217–219, 243, 209, 237; 348/373–376,
348/143; 358/906, 909.1; 396/535–541
See application file for complete search history.

FIG. 1 is a front, top and right side perspective view of a digital camera showing my new design;
FIG. 2 is a front elevational view thereof;
FIG. 3 is a rear elevational view thereof;
FIG. 4 is a top plan view thereof;
FIG. 5 is a bottom plan view thereof;
FIG. 6 is a right side view thereof; and,
FIG. 7 is a left side view thereof.

(56) **References Cited**

U.S. PATENT DOCUMENTS

D396,482 S * 7/1998 Yamanouchi D16/202
D481,404 S * 10/2003 Ng D16/202
D493,185 S * 7/2004 Lo et al. D16/202
D503,946 S * 4/2005 Chao et al. D16/202
D522,553 S * 6/2006 Yoo D16/202
D542,318 S * 5/2007 Nagayama D16/202

The broken lines in the figures are for illustrative purposes only and form no part of the claimed design.

1 Claim, 4 Drawing Sheets

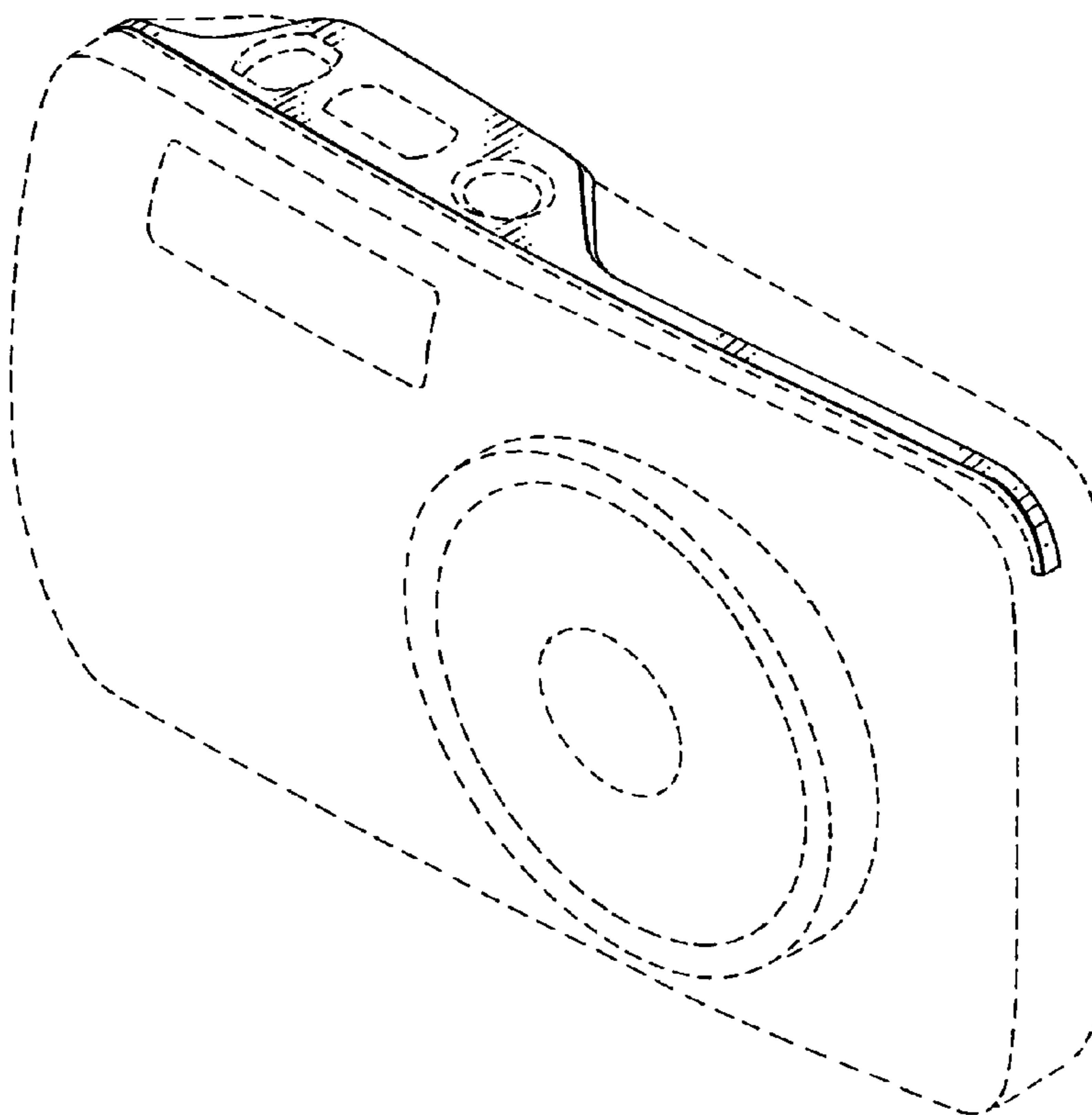


FIG. 1

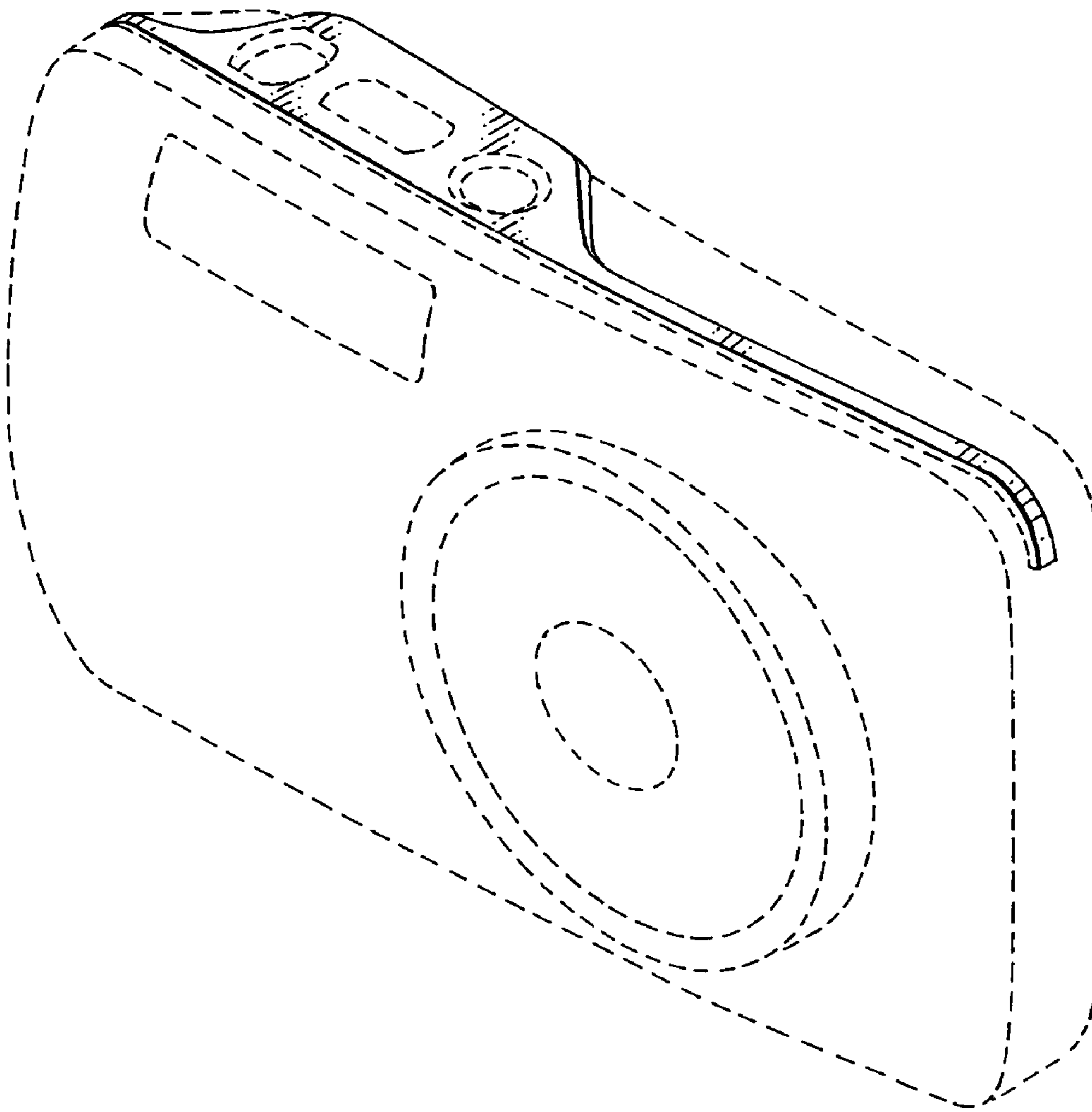


FIG. 2

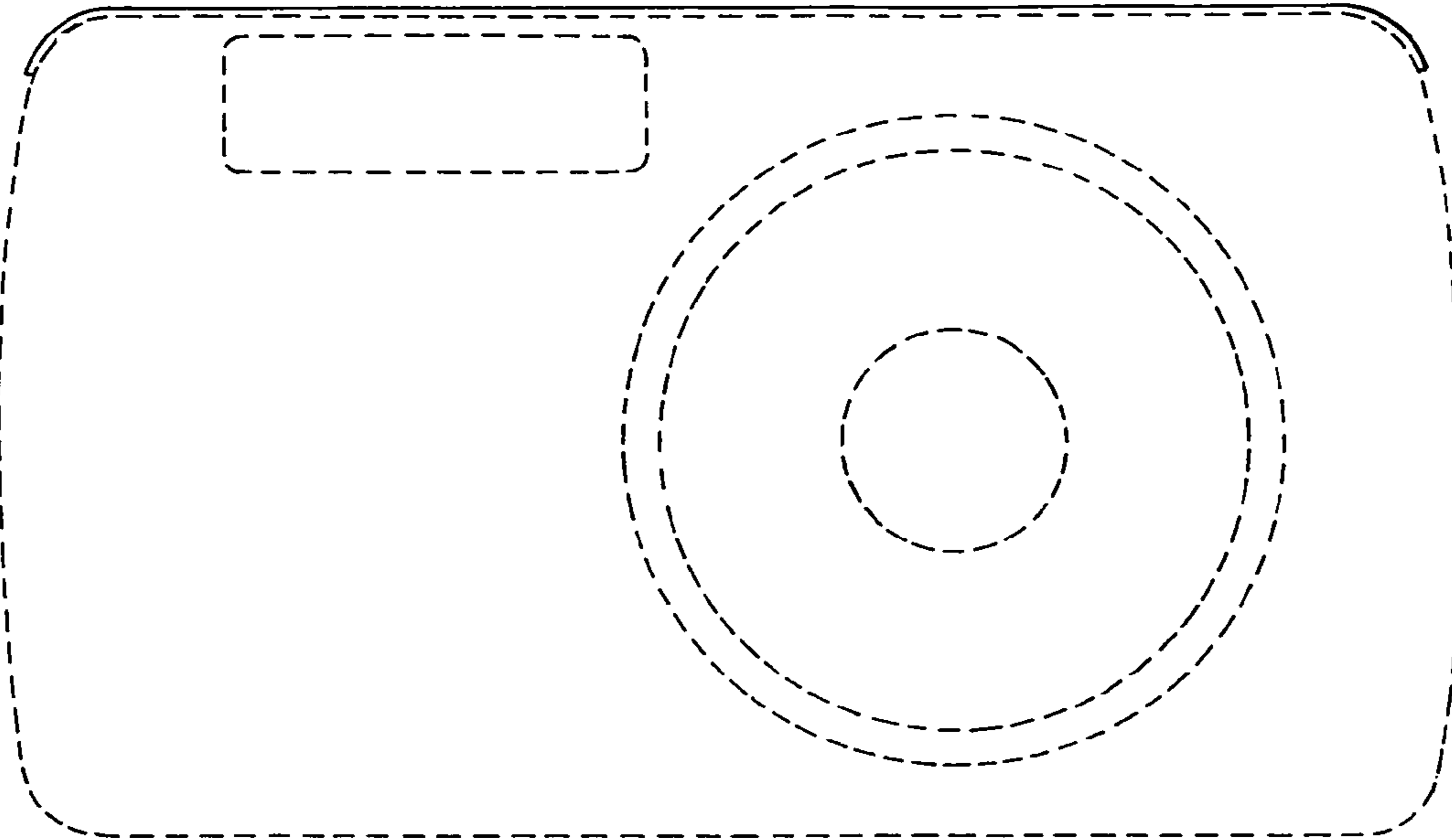


FIG. 3

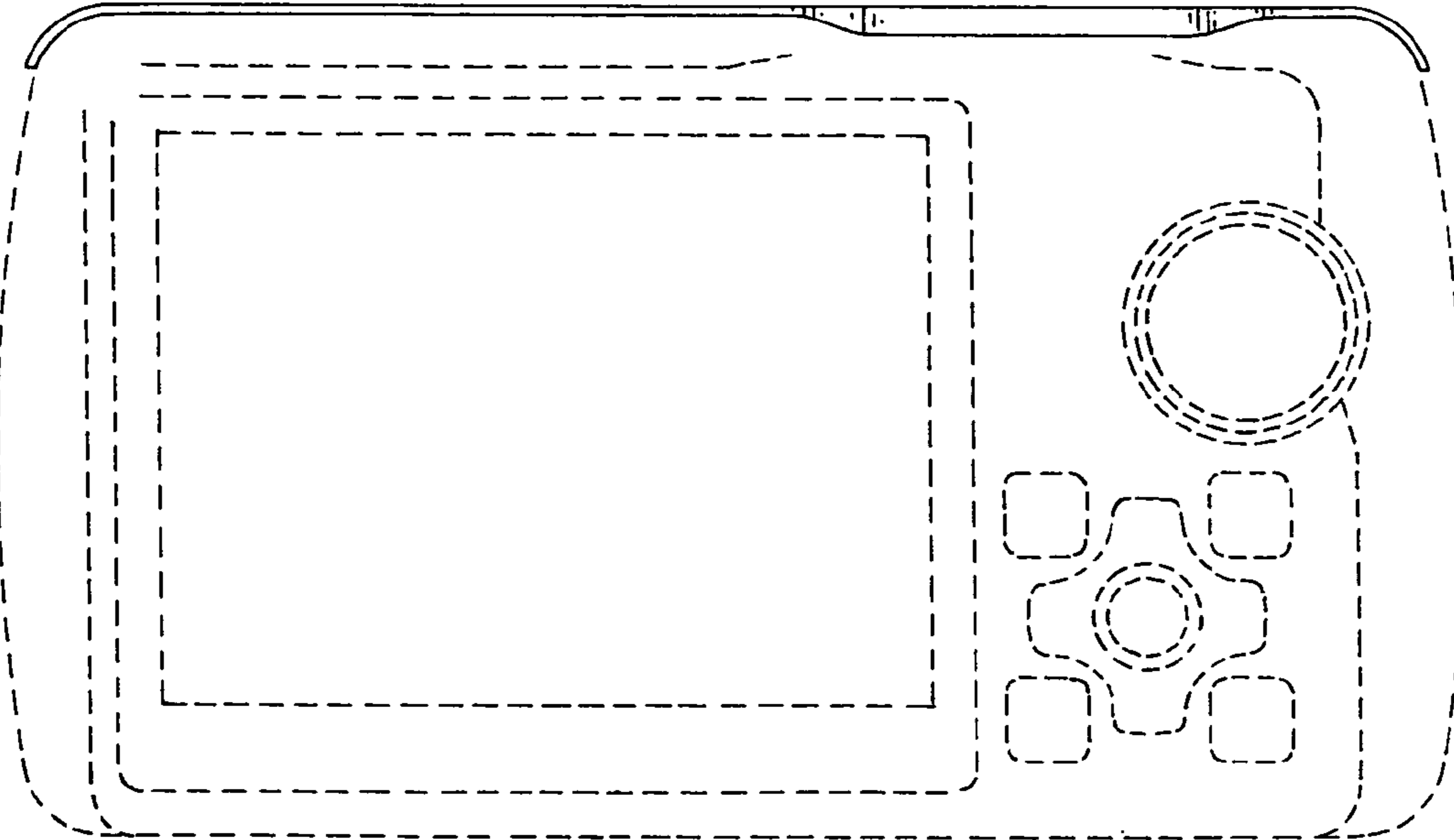


FIG. 4

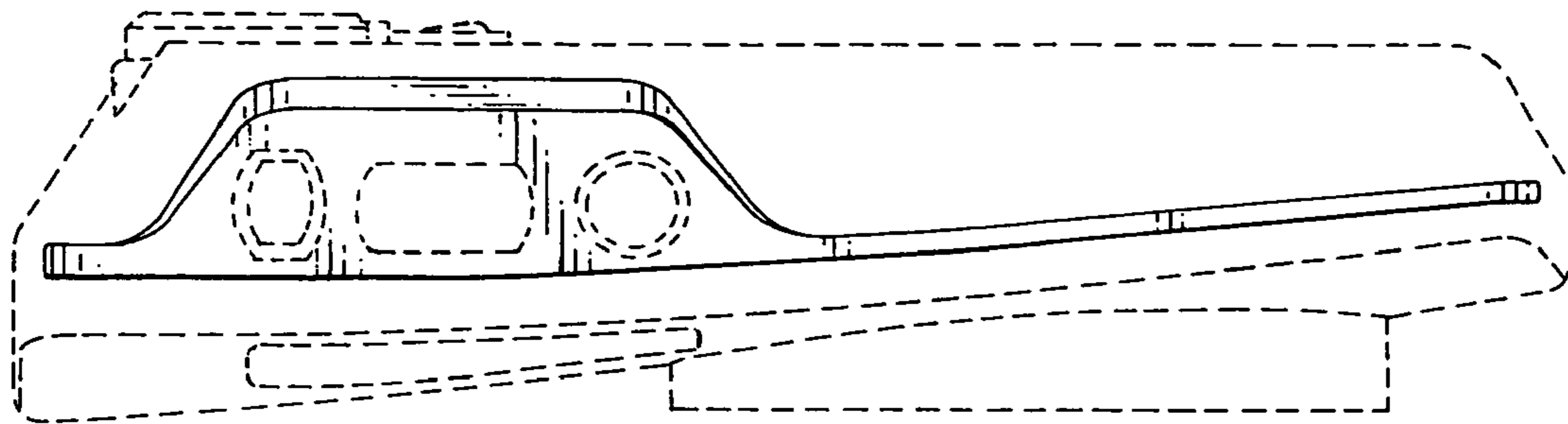


FIG. 5

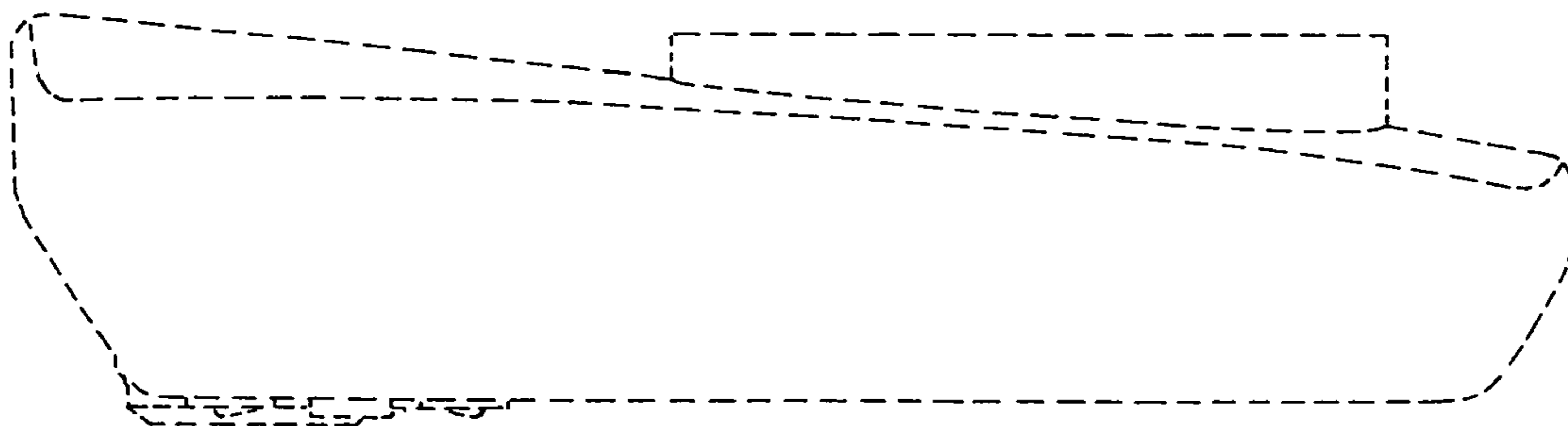


FIG. 6

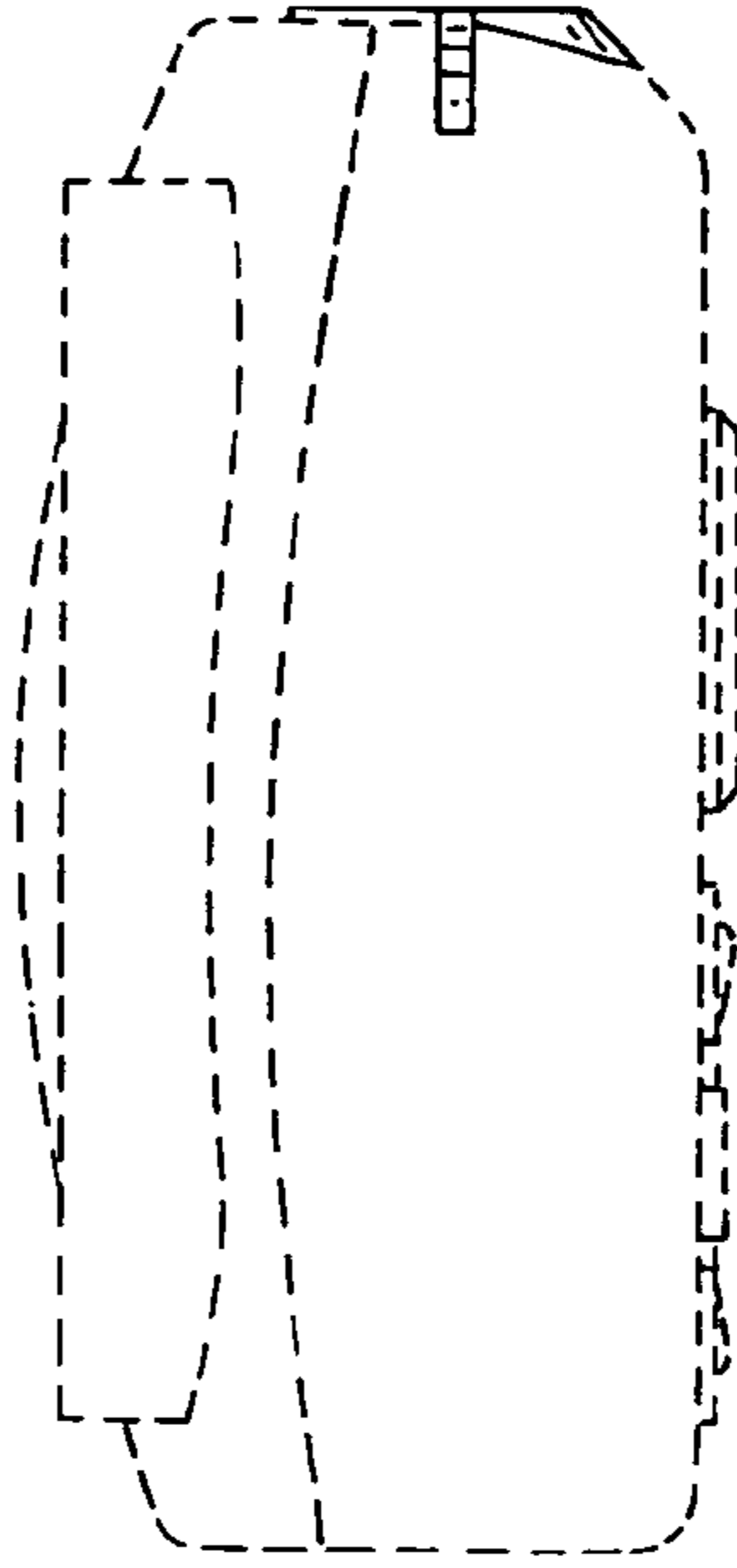


FIG. 7

