



US00D566155S

(12) **United States Design Patent**  
**Takagi**

(10) **Patent No.:** **US D566,155 S**

(45) **Date of Patent:** **\*\* Apr. 8, 2008**

(54) **CAMERA**  
(75) Inventor: **Noriaki Takagi**, Tokyo (JP)  
(73) Assignee: **Sony Corporation**, Tokyo (JP)  
(\*\*) Term: **14 Years**

JP D1199813 1/2004  
JP D1223913 10/2004  
JP D1242931 4/2005

(21) Appl. No.: **29/263,153**  
(22) Filed: **Jul. 18, 2006**

**OTHER PUBLICATIONS**

Cyber-shot® DSC-N1 Digital Camera <http://www.sonystyle.com/is-bin/INTERSHOP.enfinity/eCS/Store/en/-/USD/S...> May 23, 2006.

Cyber-shot® DSC-W50 Digital Camera <http://www.sonystyle.com/is-bin/INTERSHOP.enfinity/eCS/Store/en/-/USD/S...> May 25, 2006.

Canon USA Consumer Products—Digital Camera—PowerShot SD450 <http://www.usa.canon.com/consumer/controller?act=ModelDetailAct&fcategoriid...> May 23, 2006.

EZ-Z60—Exilim Zoom—Cameras—Products—CASIO [http://www.casio.com/products/Cameras/Exilim\\_Zoom/EX-Z60/](http://www.casio.com/products/Cameras/Exilim_Zoom/EX-Z60/) May 23, 2006.

Leica—C-Lux 1 [http://www.leica-camera.com/digitalekameras/c-lux1/index\\_e.html](http://www.leica-camera.com/digitalekameras/c-lux1/index_e.html) May 24, 2006.

\* cited by examiner

*Primary Examiner*—Ian Simmons

*Assistant Examiner*—Wan Laymon

(74) *Attorney, Agent, or Firm*—Oblon, Spivak, McClelland, Maier & Neustadt, P.C.

(30) **Foreign Application Priority Data**

Jan. 18, 2006 (JP) ..... 2006-000781  
Jan. 18, 2006 (JP) ..... 2006-000783  
Jan. 26, 2006 (TW) ..... 95300449

(51) **LOC (8) Cl.** ..... **16-05**

(52) **U.S. Cl.** ..... **D16/219; D16/202**

(58) **Field of Classification Search** ..... D16/200–206,  
D16/208–209, 218–219, 237; 348/373–376;  
358/906, 909.1; 396/535–541

See application file for complete search history.

(56) **References Cited**

**U.S. PATENT DOCUMENTS**

D401,604 S 11/1998 Ito et al.  
D423,031 S 4/2000 Shinohara et al.  
D426,252 S 6/2000 Ito et al.  
D437,869 S \* 2/2001 Nakanishi et al. .... D16/219  
D438,230 S \* 2/2001 Hamamura ..... D16/219  
D443,289 S 6/2001 Omino  
D456,436 S 4/2002 Omino  
D473,579 S \* 4/2003 Katayama et al. .... D16/202  
D475,383 S 6/2003 Omino  
D475,384 S 6/2003 Tanaka  
D487,766 S \* 3/2004 Tanaka ..... D16/219  
D497,926 S \* 11/2004 Yanagisawa et al. .... D16/202  
D503,184 S \* 3/2005 Horikiri ..... D16/219  
D534,197 S \* 12/2006 Hanafusa ..... D16/202  
D540,365 S \* 4/2007 Sakai ..... D16/219  
D542,318 S \* 5/2007 Nagayama ..... D16/202  
D545,335 S \* 6/2007 Kanno ..... D16/218

**FOREIGN PATENT DOCUMENTS**

JP D1113587 4/2001  
JP D1182401 6/2003

(57) **CLAIM**

The ornamental design for a camera, as shown and described.

**DESCRIPTION**

FIG. 1 is a top and right front perspective view of a camera, showing my design;

FIG. 2 is a front elevational view thereof;

FIG. 3 is a rear elevational view thereof;

FIG. 4 is a left side elevational view thereof;

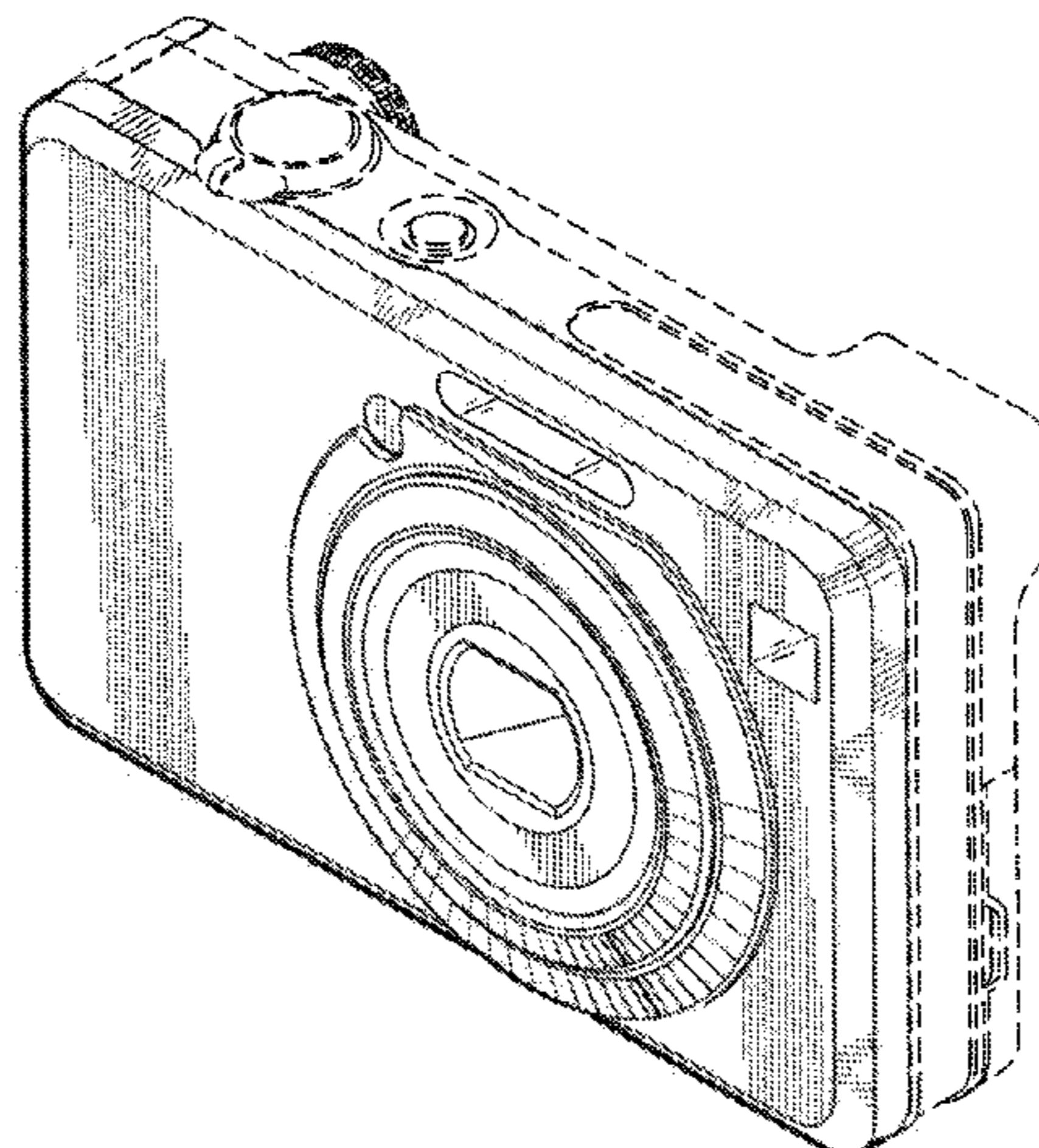
FIG. 5 is a right side elevational view thereof;

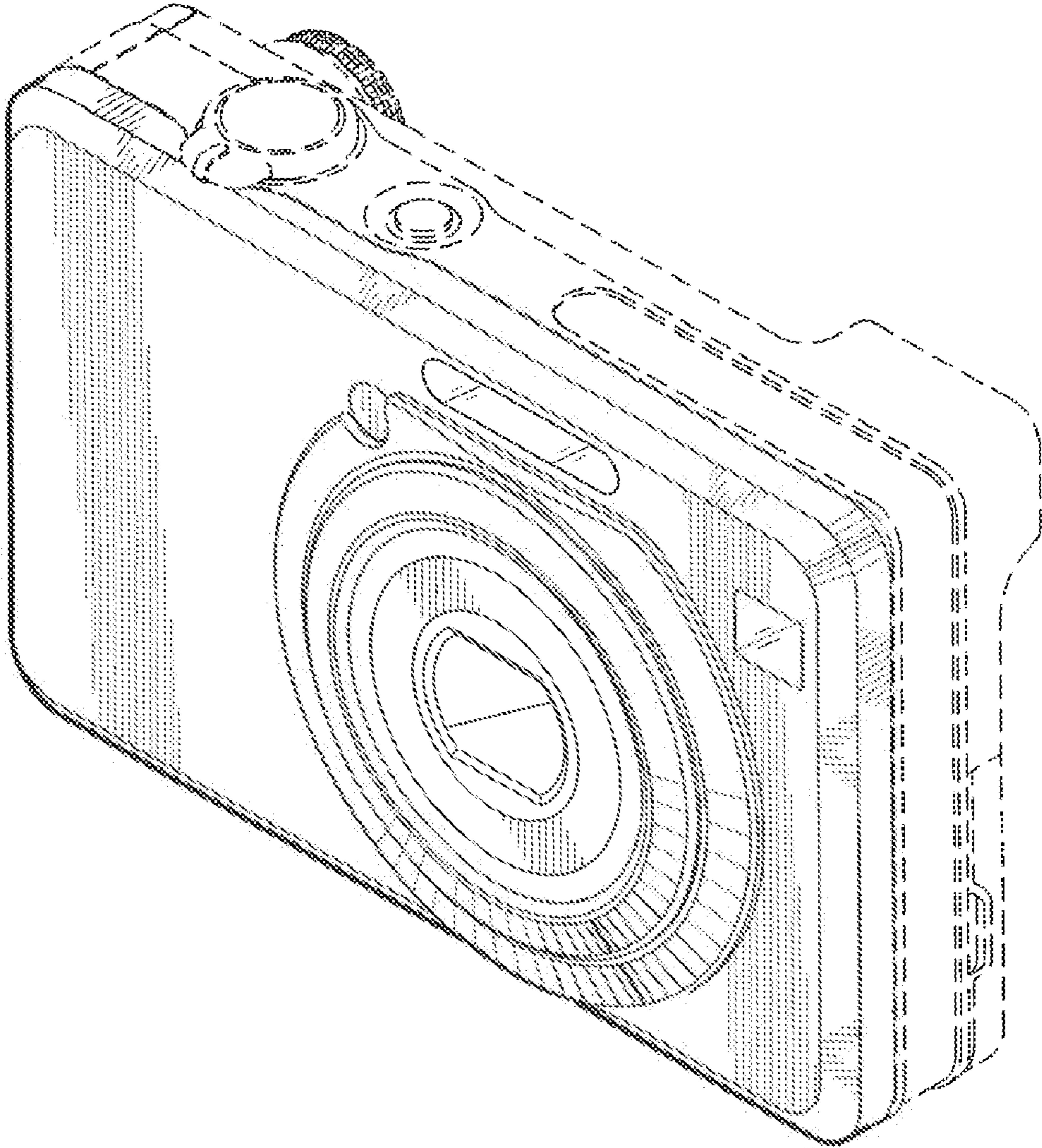
FIG. 6 is a top plan view thereof; and,

FIG. 7 is a bottom plan view thereof.

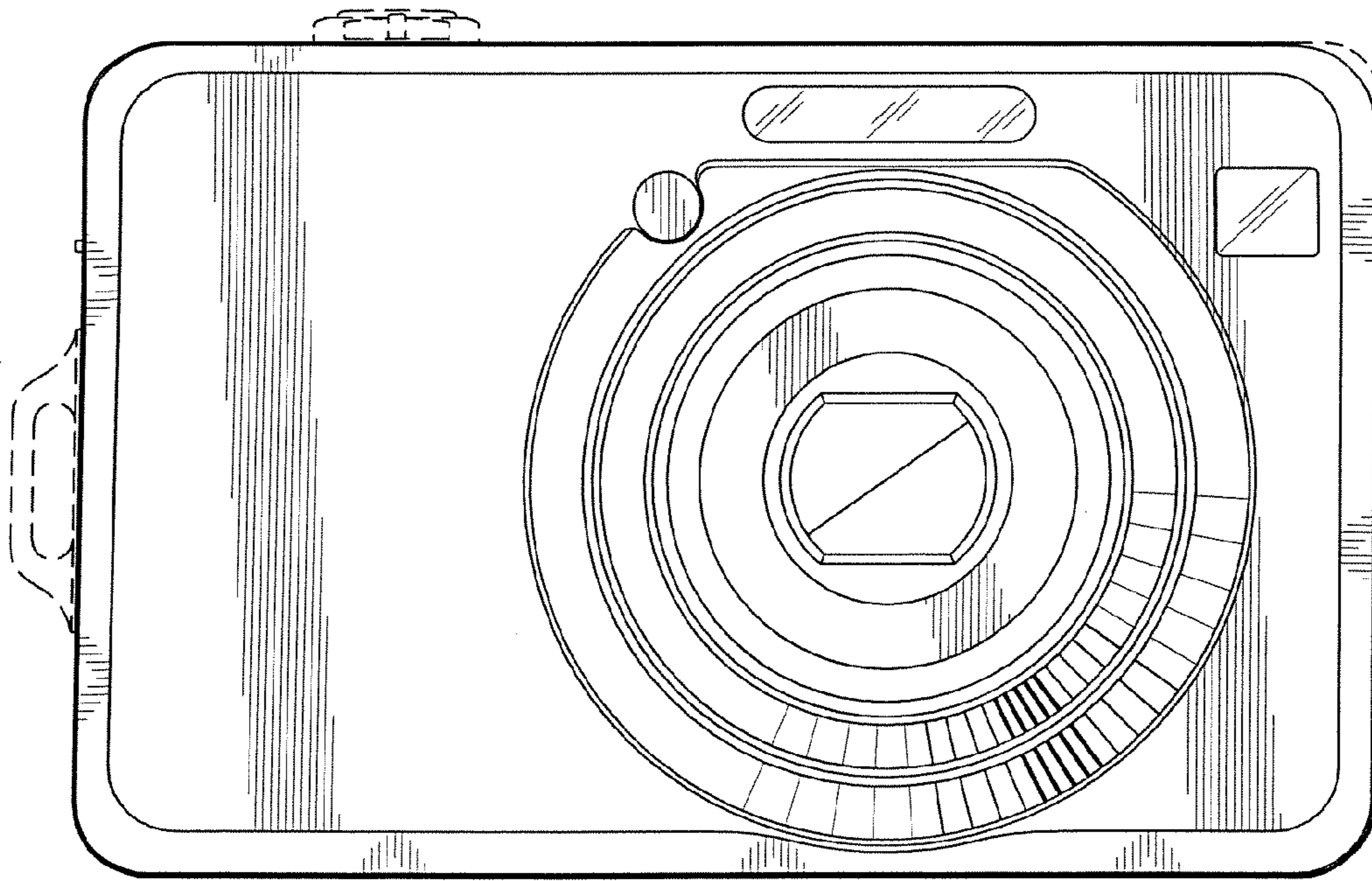
The phantom lines shown in the figures are shown for illustrative purposes only and form no part of the design.

**1 Claim, 5 Drawing Sheets**

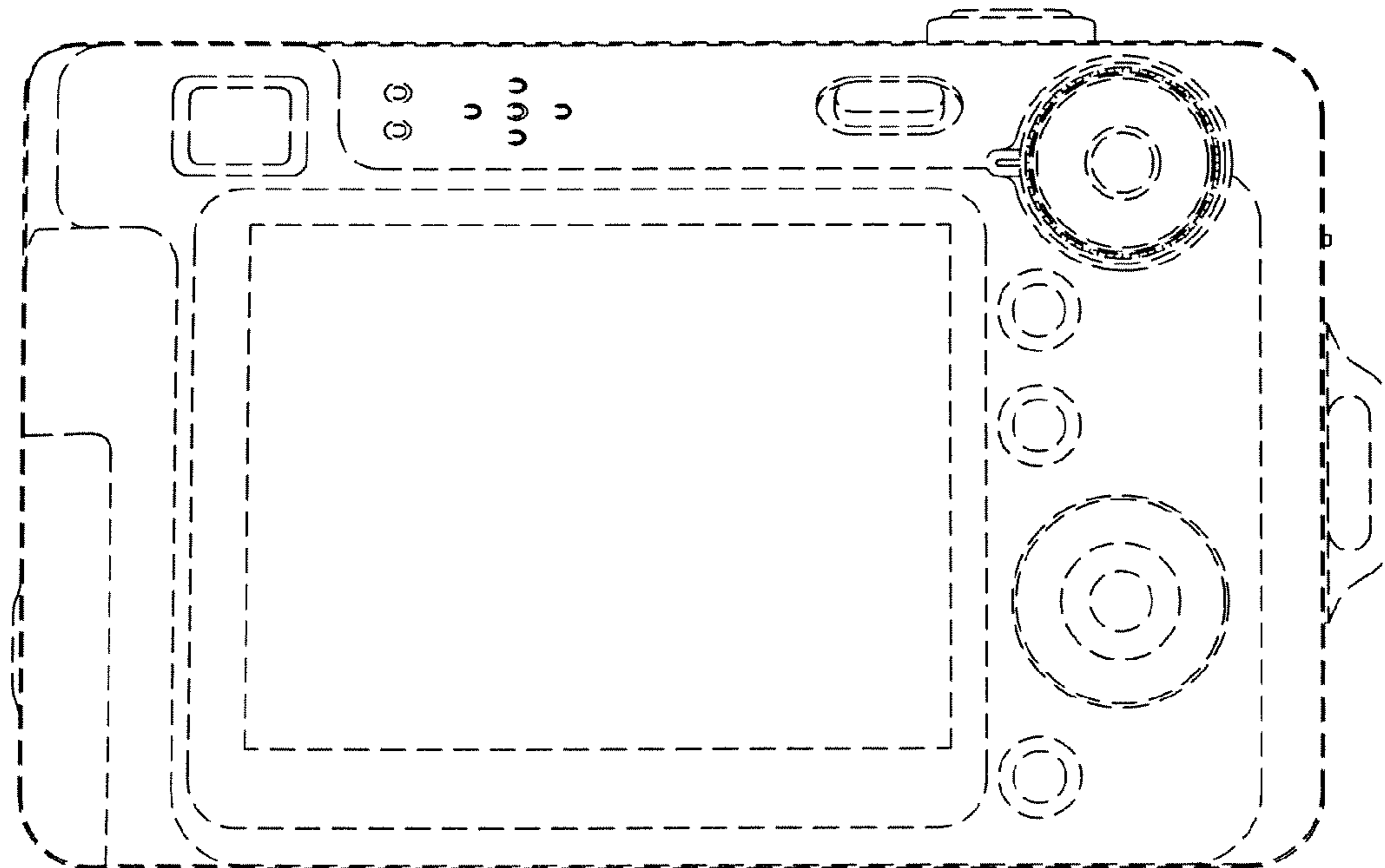




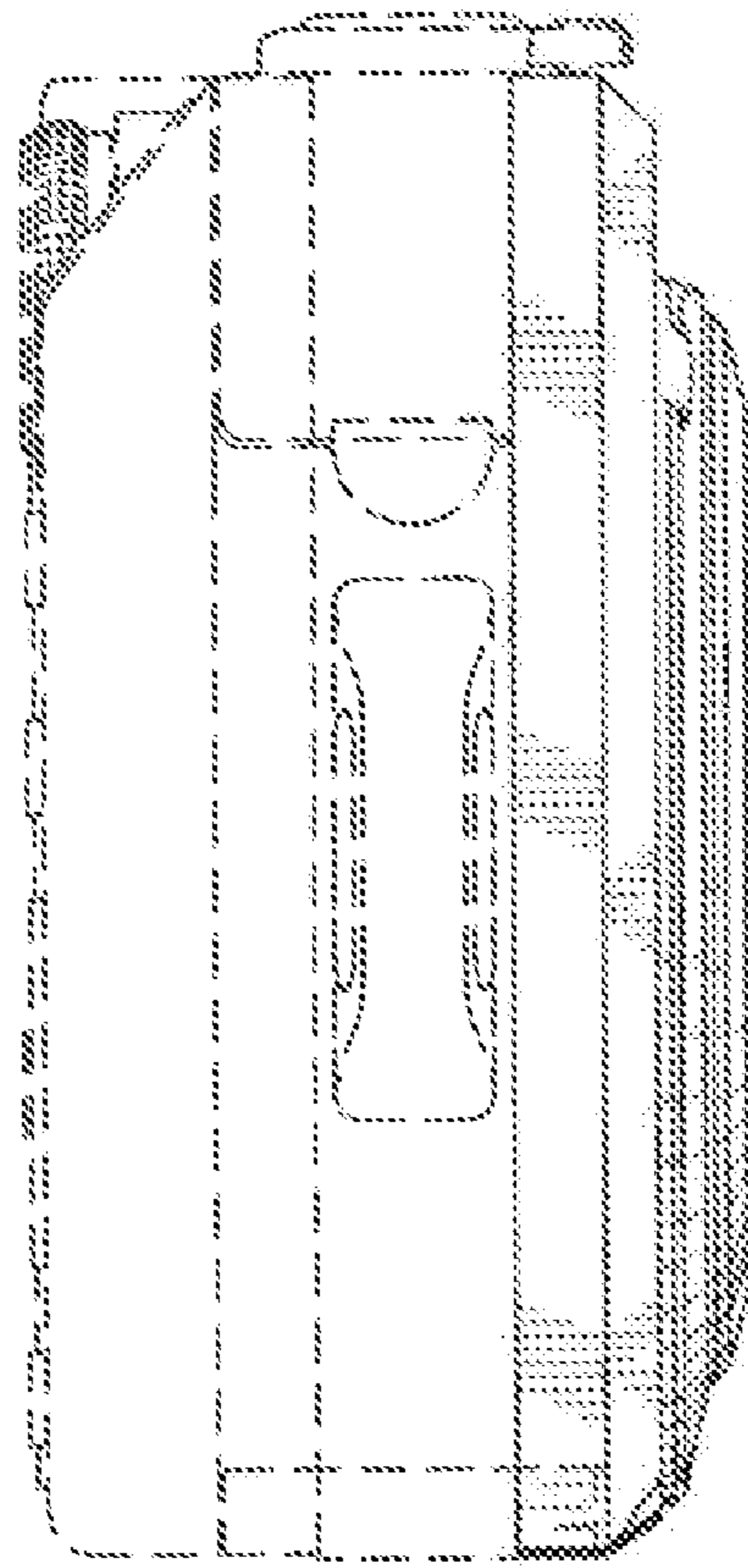
*Fig. 1*



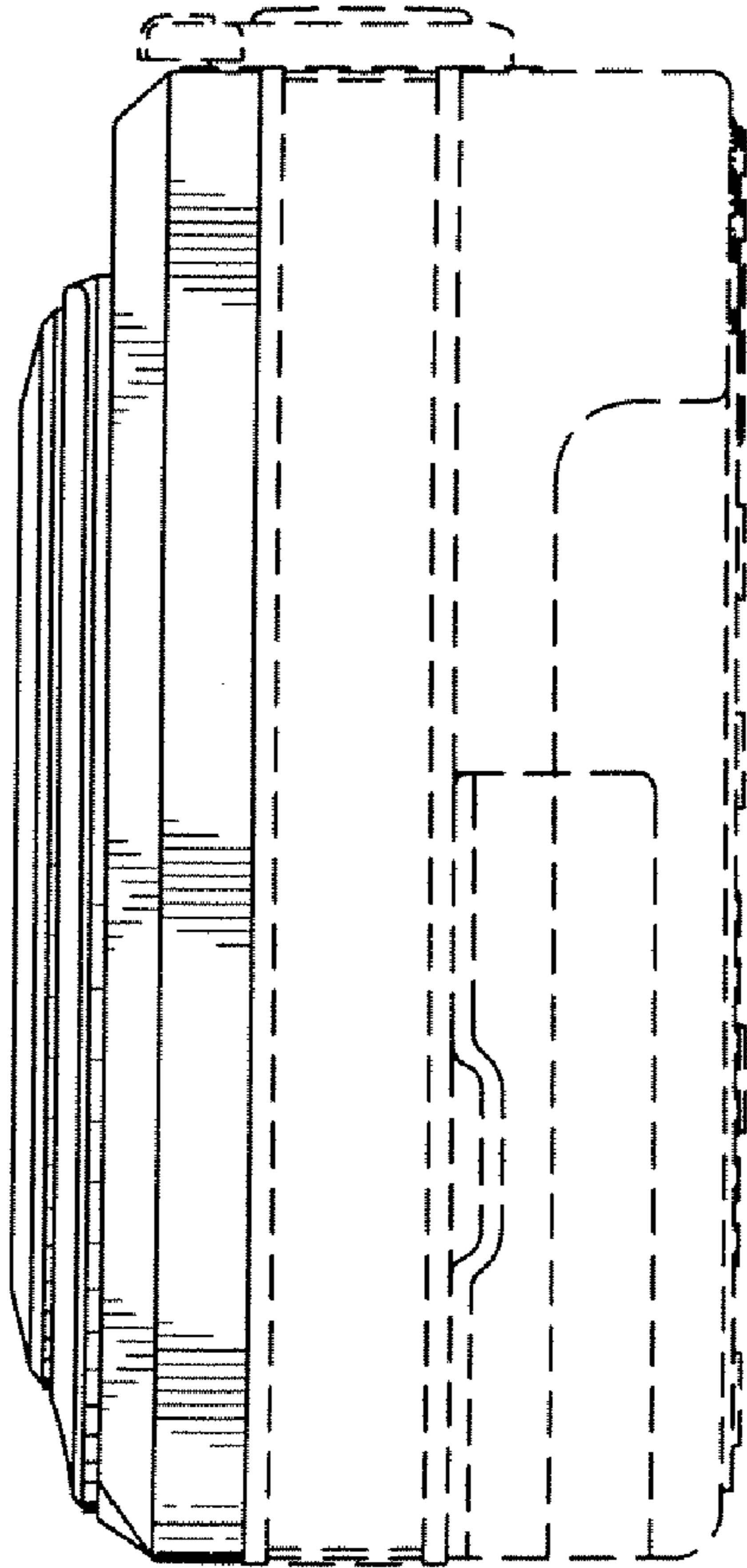
*Fig. 2*



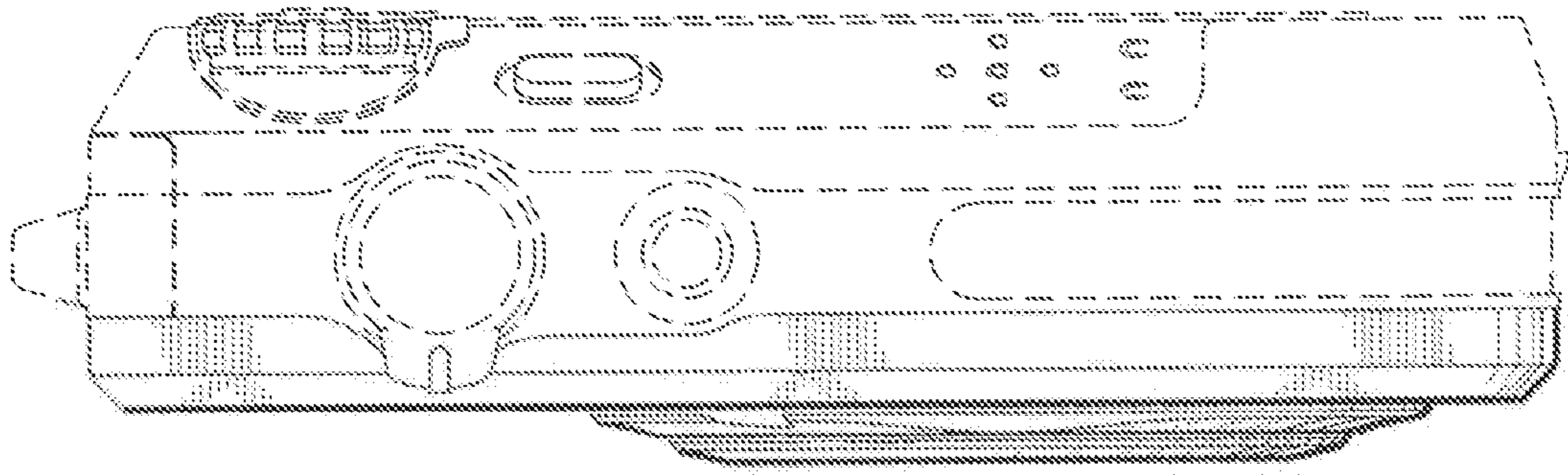
*Fig. 3*



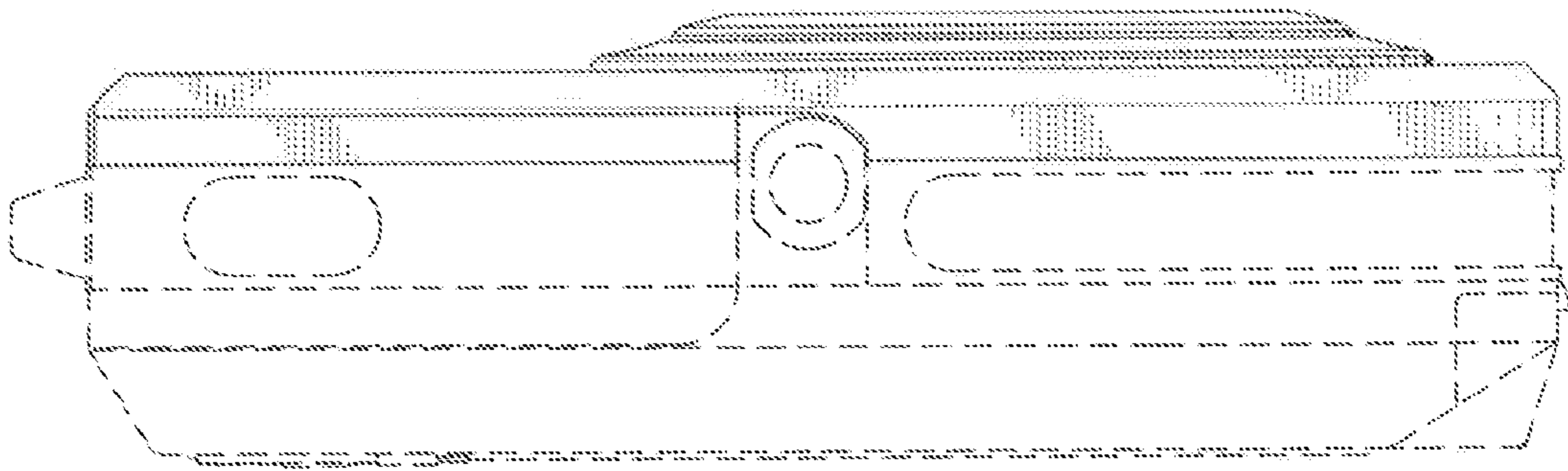
*Fig. 4*



*Fig. 5*



*Fig. 6*



*Fig. 7*