



US00D566154S

(12) **United States Design Patent** (10) **Patent No.:** **US D566,154 S**
Kawase (45) **Date of Patent:** **** Apr. 8, 2008**

(54) **CAMERA**

(75) Inventor: **Atsushi Kawase**, Tokyo (JP)

(73) Assignee: **Sony Corporation**, Tokyo (JP)

(**) Term: **14 Years**

(21) Appl. No.: **29/223,030**

(22) Filed: **Feb. 9, 2005**

Related U.S. Application Data

(63) Continuation-in-part of application No. 29/203,435, filed on Apr. 15, 2004, now Pat. No. Des. 503,417.

(51) **LOC (8) Cl.** **16-05**

(52) **U.S. Cl.** **D16/219**

(58) **Field of Classification Search** D16/200–204,
D16/208, 218, 219; 348/373–376; 358/909.1;
396/6, 535, 536–541

See application file for complete search history.

(56) **References Cited**

U.S. PATENT DOCUMENTS

D323,522 S *	1/1992	Horikiri	D16/209
5,555,052 A	9/1996	Pearson	
D422,611 S *	4/2000	Katayama et al.	D16/202
D425,093 S *	5/2000	Chang	D16/218
D434,786 S *	12/2000	Chin	D16/209
D447,759 S	9/2001	Jin	
D448,396 S *	9/2001	Miyazawa	D16/202
D450,073 S	11/2001	Sumita	
D450,737 S	11/2001	Suzuki	
D456,431 S	4/2002	Kim	
D482,054 S	11/2003	Nasu	
D490,833 S	6/2004	Sakaguchi	
D494,612 S	8/2004	Yang	
2005/0191045 A1 *	9/2005	Yamane	396/6

OTHER PUBLICATIONS

Web page “Silvi Fi” http://www.fujifilm.co.jp/silvi/fm_p09.html, 1 sheet, Fuji Film (Feb. 2004).

Webpage “Sony Packs Performance and Simplicity into New Rangefinder- Style Cyber-Shot W1 Camera,” <http://news.sel.sony.com/pressrelease/4374>, 1 page, (Feb. 11, 2004).

Webpage “Sony DSC-W1: Digital Photography Review,” <http://www.dpreview.com/news/0402/04021106sonydscw1.asp>, 4 pages (Feb. 11, 2004).

Webpage “Sony: PMA 2004 Show Report: Digital Photography Review,” <http://www.dpreview.com/articles/pma2004/sony/>, 4 pages (Feb. 11, 2004).

Webpage “Sony, Cyber-shot DSC-W5,” <http://dc.watch.impress.co.jp/cda/compact/2005/01/27/833.html>, 3 pages (Jan. 27, 2005).

Webpage “Sony Cyber-shot DSC-W5: Digital Photography Review,” <http://www.dpreview.com/news/0502/05020201sonydscw4.asp>, 5 pages, (Feb. 2, 2005).

Webpage “Silvi Fi,” http://www.fujinon.co.jp/jp/news/n_031030_2.htm, 2 Pages, Fujifilm (Oct. 30, 2003).

* cited by examiner

Primary Examiner—Adir Aronovich
(74) *Attorney, Agent, or Firm*—Rader, Fishman & Grauer, PLLC

(57) **CLAIM**

The ornamental design for a camera, as shown and described.

DESCRIPTION

FIG. 1 is a perspective view of a camera showing our new design;

FIG. 2 is a front elevational view thereof;

FIG. 3 is a left side elevational view thereof;

FIG. 4 is a top plan view thereof; and,

FIG. 5 is a bottom plan view thereof.

Portions in broken lines are for illustrative purposes only and form no part of claimed design.

1 Claim, 3 Drawing Sheets

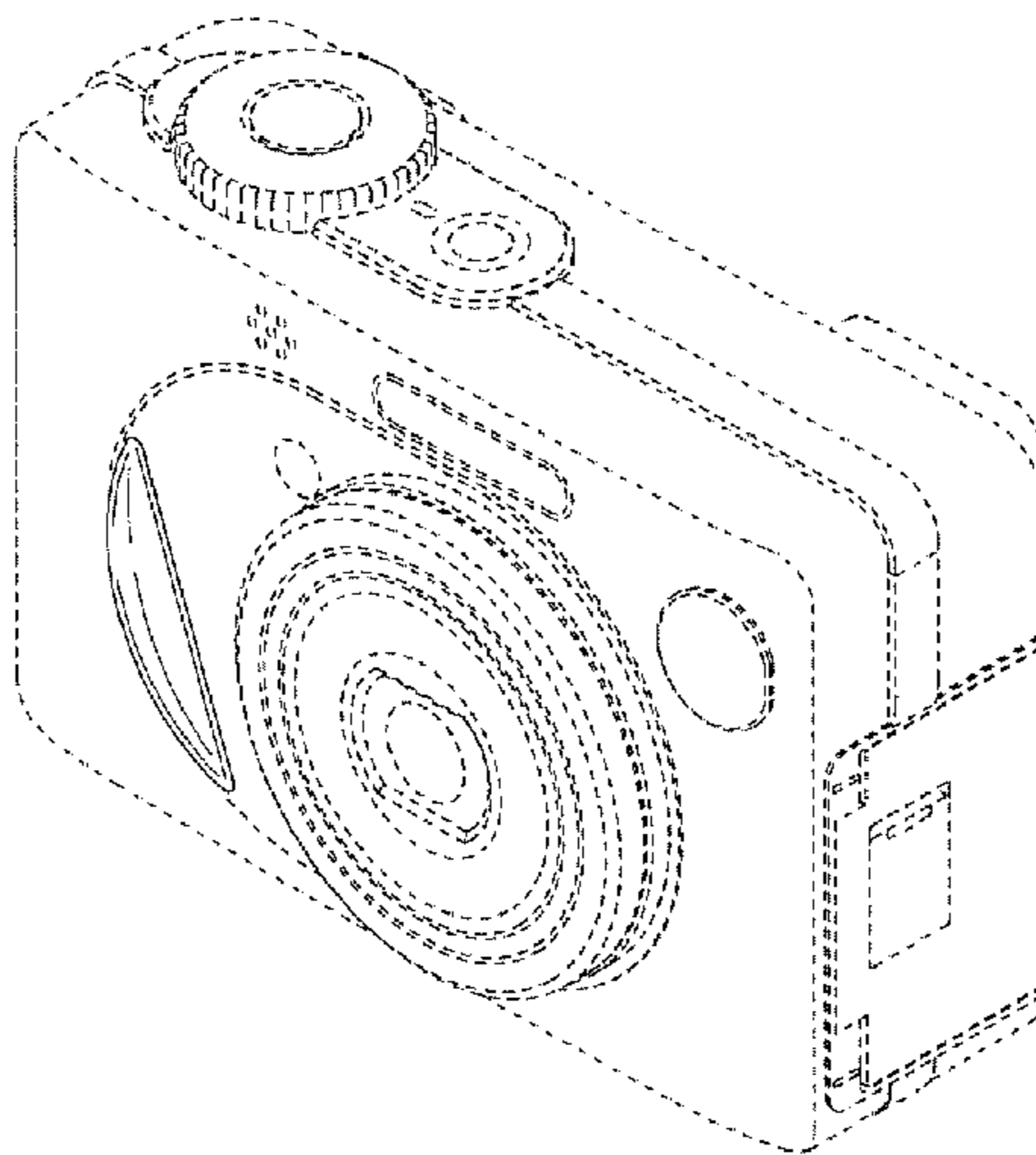


Fig. 1

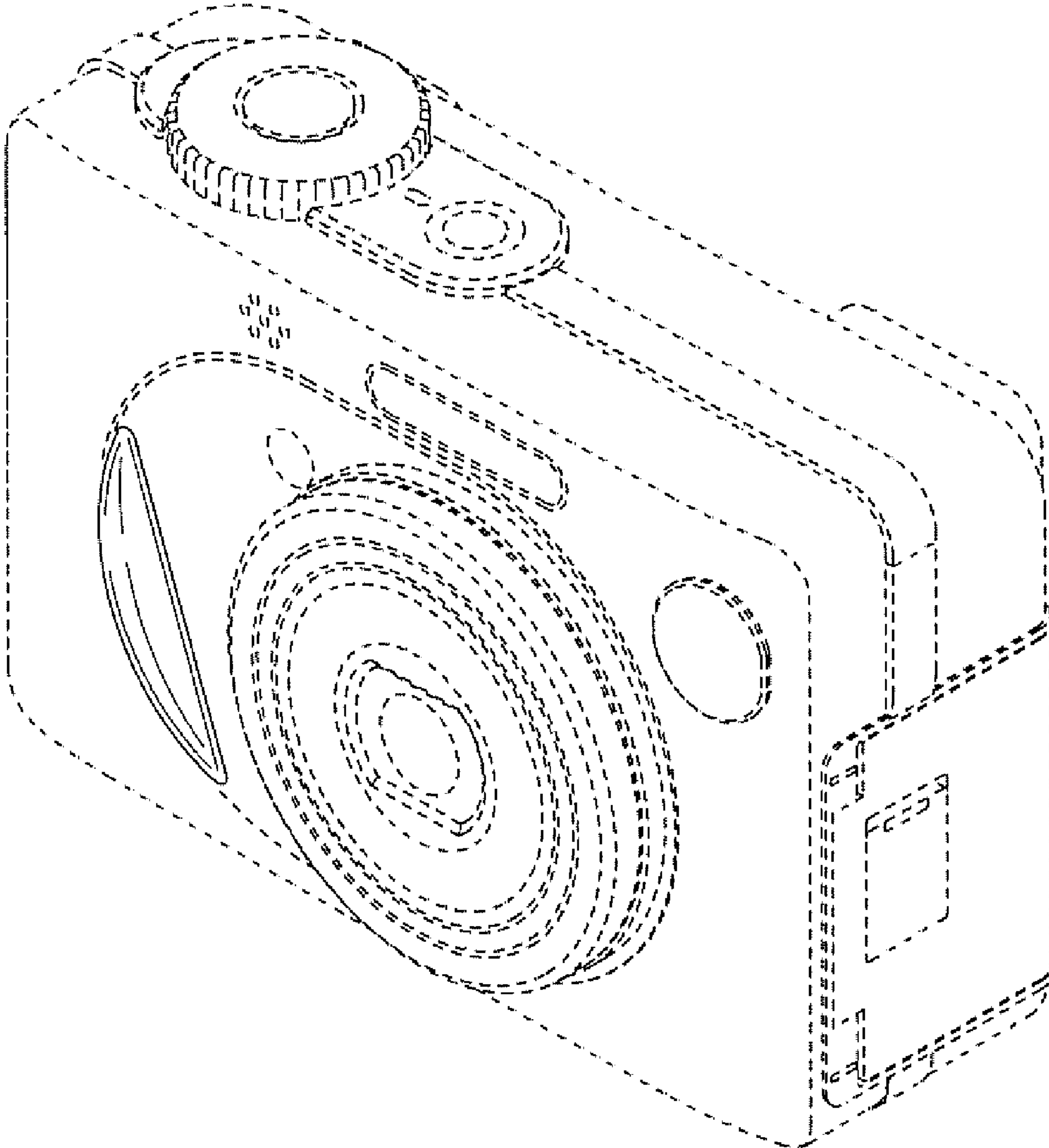


Fig.2

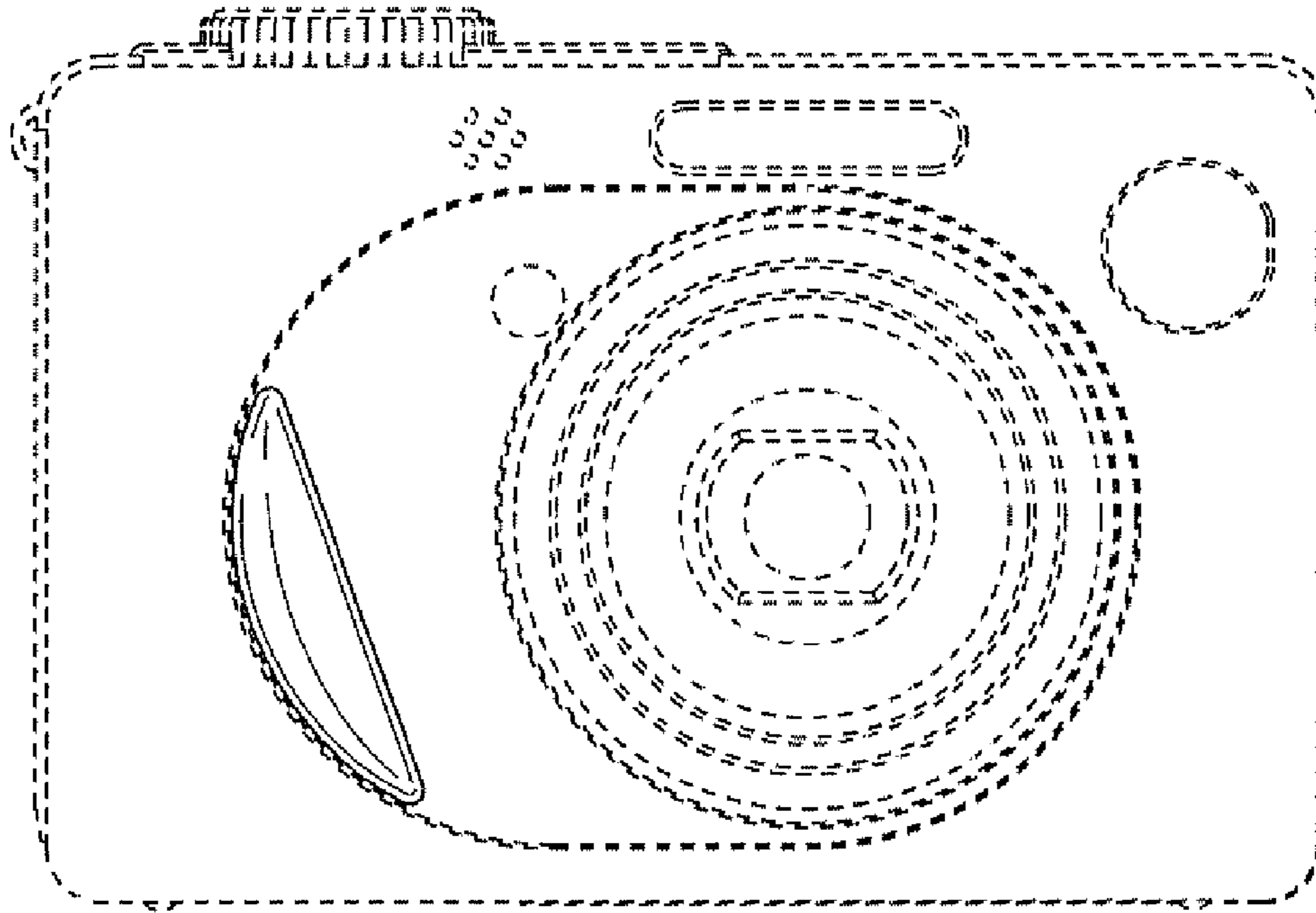


Fig.3

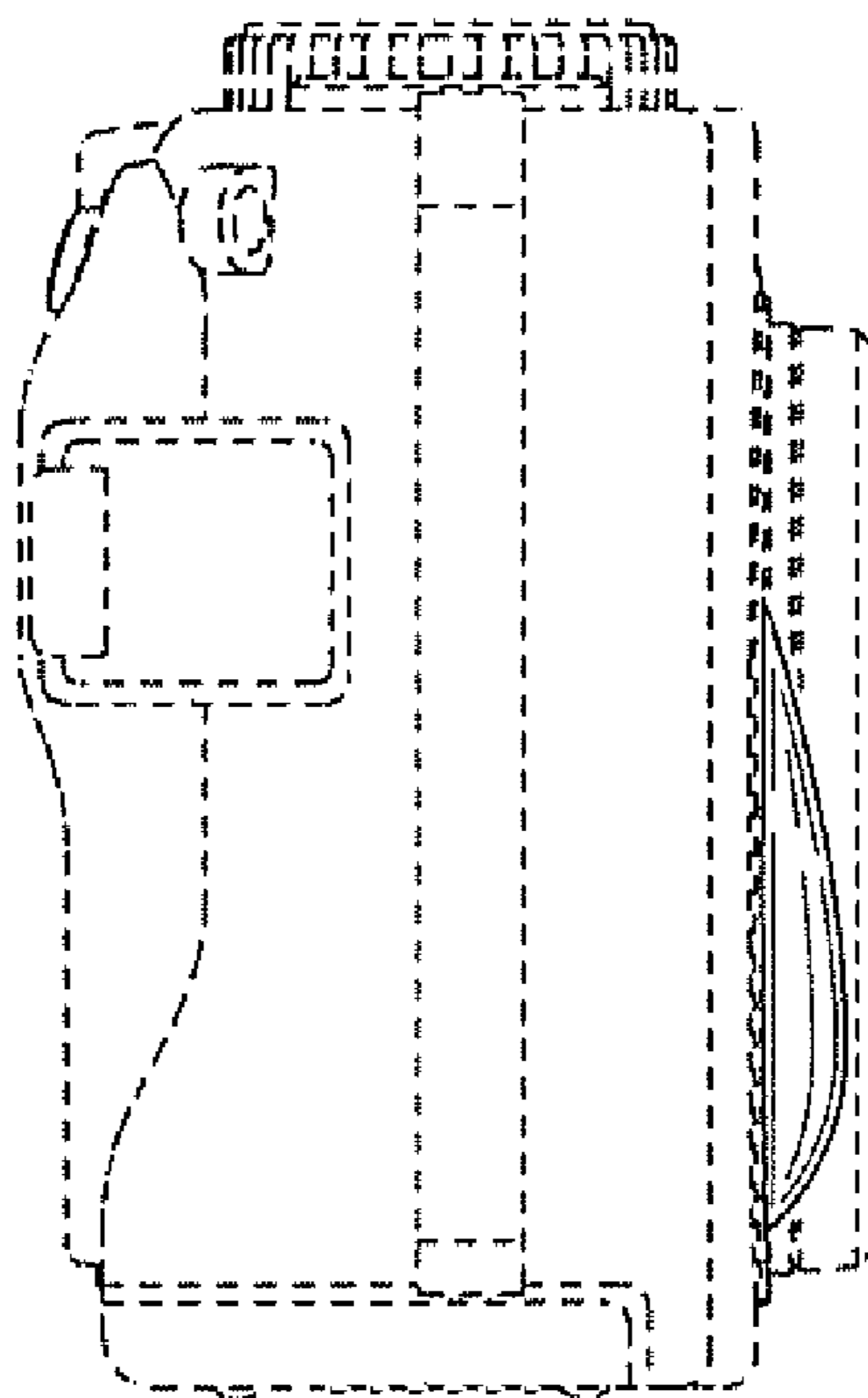


Fig.4

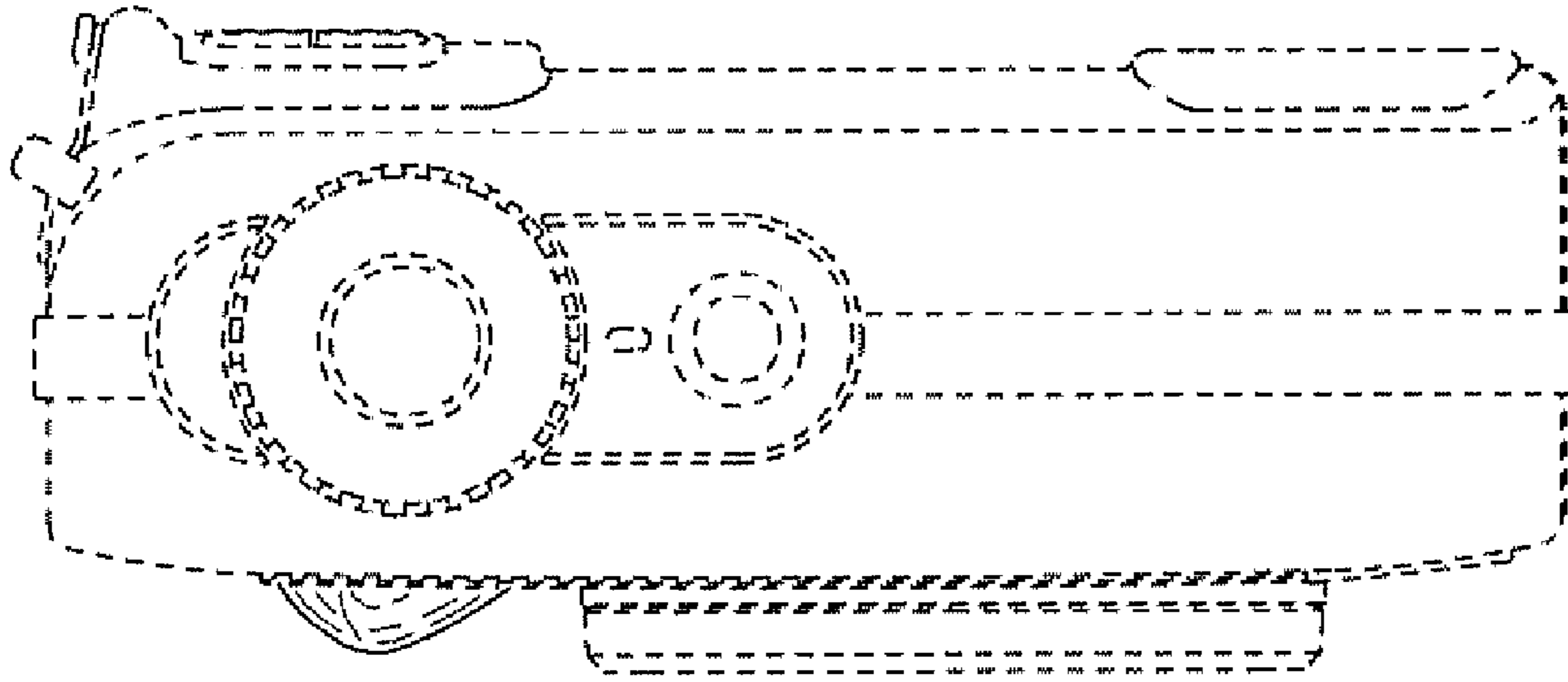


Fig.5

