

US00D566153S

(12) **United States Design Patent**
Katsuraku

(10) **Patent No.:** **US D566,153 S**

(45) **Date of Patent:** **** Apr. 8, 2008**

(54) **CAMERA**

(75) Inventor: **Junko Katsuraku**, Tokyo (JP)

(73) Assignee: **Sony Corporation**, Tokyo (JP)

(**) Term: **14 Years**

(21) Appl. No.: **29/274,959**

(22) Filed: **Jun. 12, 2007**

(51) **LOC (8) Cl.** **16-01**

(52) **U.S. Cl.** **D16/218; D16/202**

(58) **Field of Classification Search** D16/200–205,
D16/208, 209, 218; 348/373–376; 358/909.1;
396/535–541

See application file for complete search history.

(56) **References Cited**

U.S. PATENT DOCUMENTS

D450,073 S	11/2001	Sumita	
D505,967 S *	6/2005	Ko et al.	D16/218
D516,601 S	3/2006	Ishii	
D528,578 S	9/2006	Yasutomi	
D528,579 S	9/2006	Yasutomi	
D537,093 S *	2/2007	Nakamura	D16/202
D545,335 S *	6/2007	Kanno	D16/202
D551,274 S *	9/2007	Onawa	D16/202

2005/0057685 A1* 3/2005 Yamaguchi 348/375

OTHER PUBLICATIONS

Web page [http://www.sonystyle.ca/commerce/servlet/ProductDetailDisplay?soteld=10001&langd=-1&catalogd=10001&productd=1003105\(1/4\)](http://www.sonystyle.ca/commerce/servlet/ProductDetailDisplay?soteld=10001&langd=-1&catalogd=10001&productd=1003105(1/4)), 4 sheets, Sony of Canada Ltd., (Mar. 2007).

* cited by examiner

Primary Examiner—Adir Aronovich

(74) *Attorney, Agent, or Firm*—Rader, Fishman & Grauer, PLLC

(57) **CLAIM**

The ornamental design for a camera, as shown.

DESCRIPTION

FIG. 1 is a perspective view of a camera showing my new design;

FIG. 2 is a front elevational view thereof;

FIG. 3 is a rear elevational view thereof;

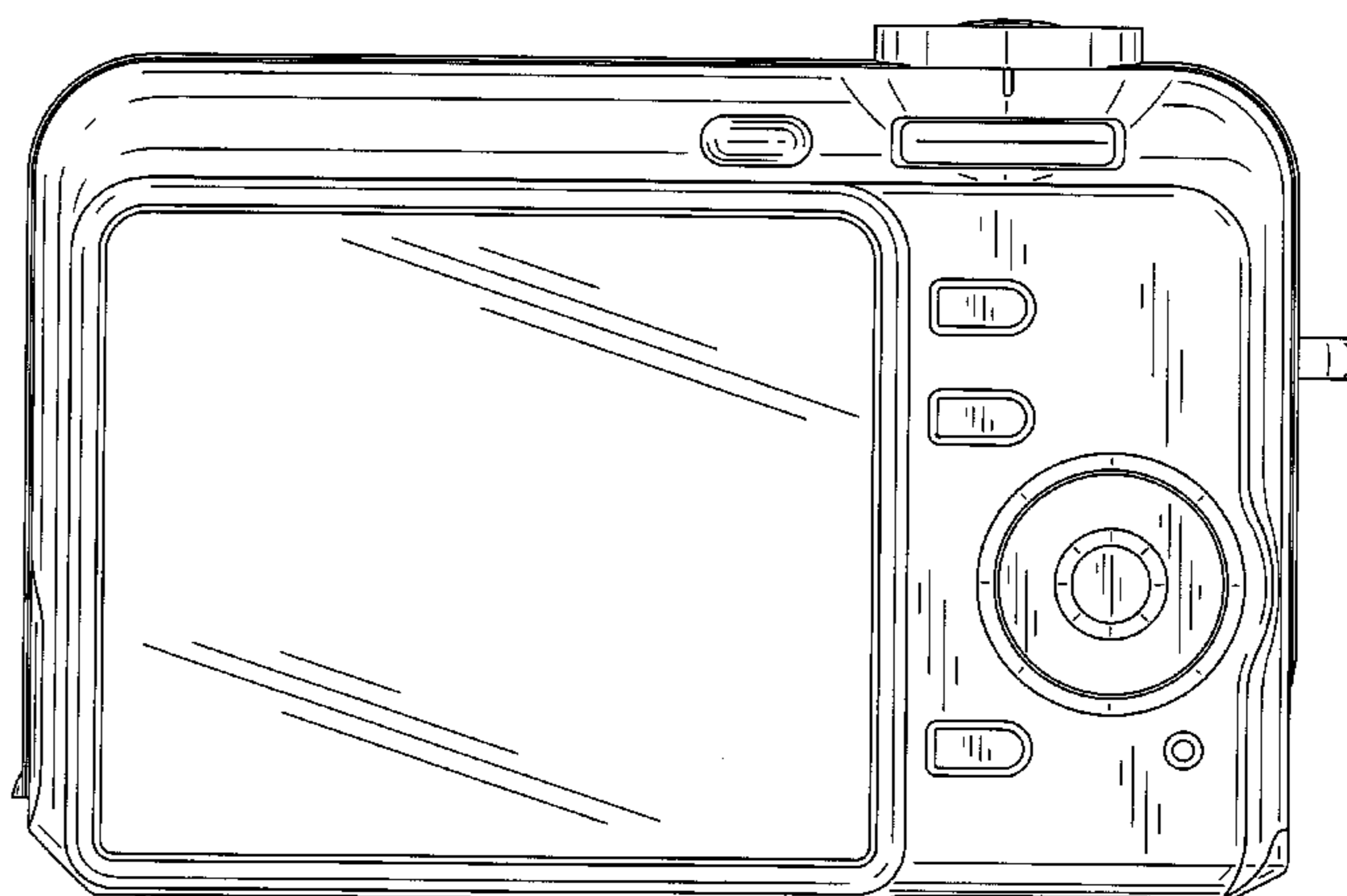
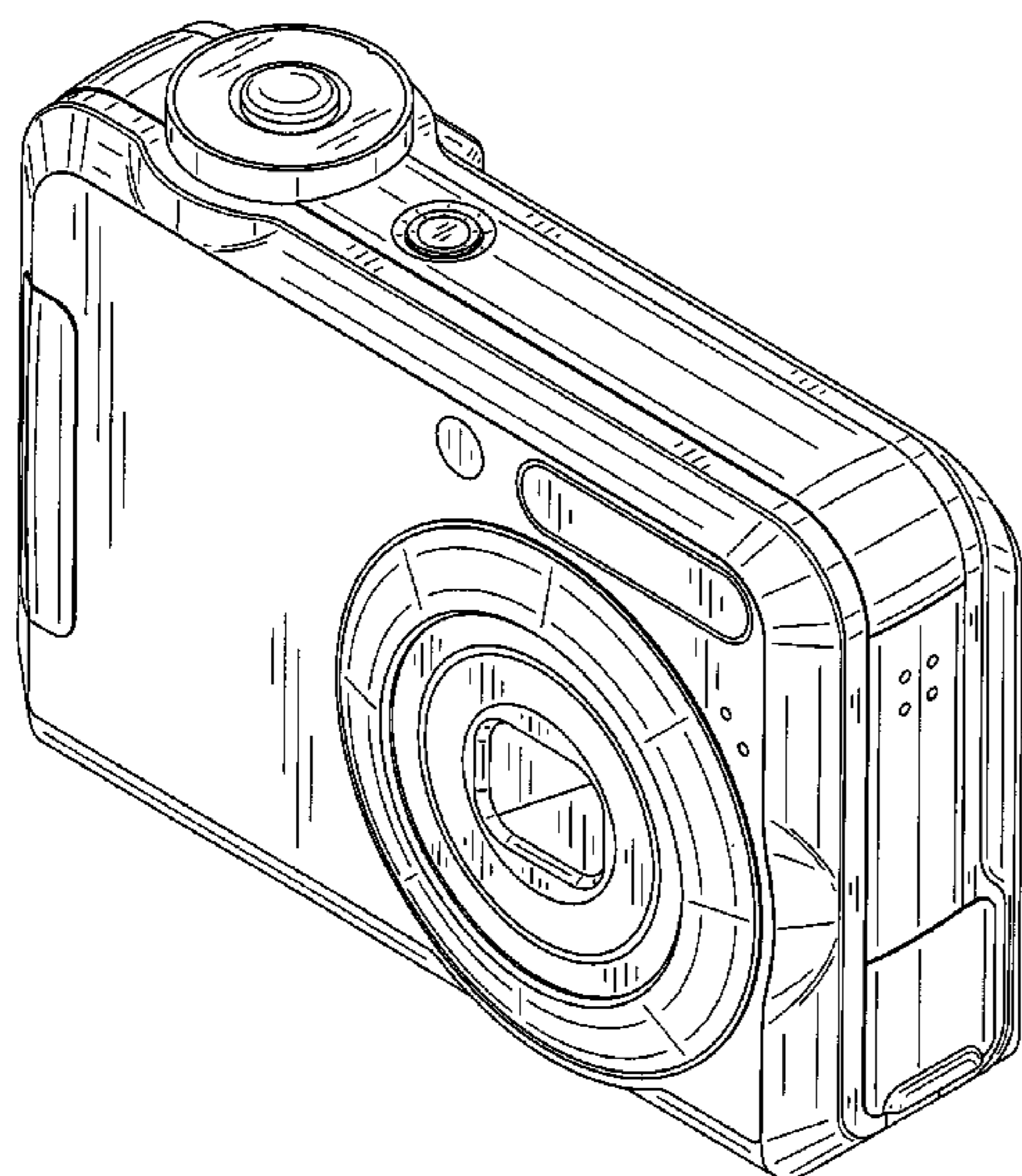
FIG. 4 is a left side elevational view thereof;

FIG. 5 is a right side elevational view thereof;

FIG. 6 is a top plan view thereof; and,

FIG. 7 is a bottom plan view thereof.

1 Claim, 7 Drawing Sheets



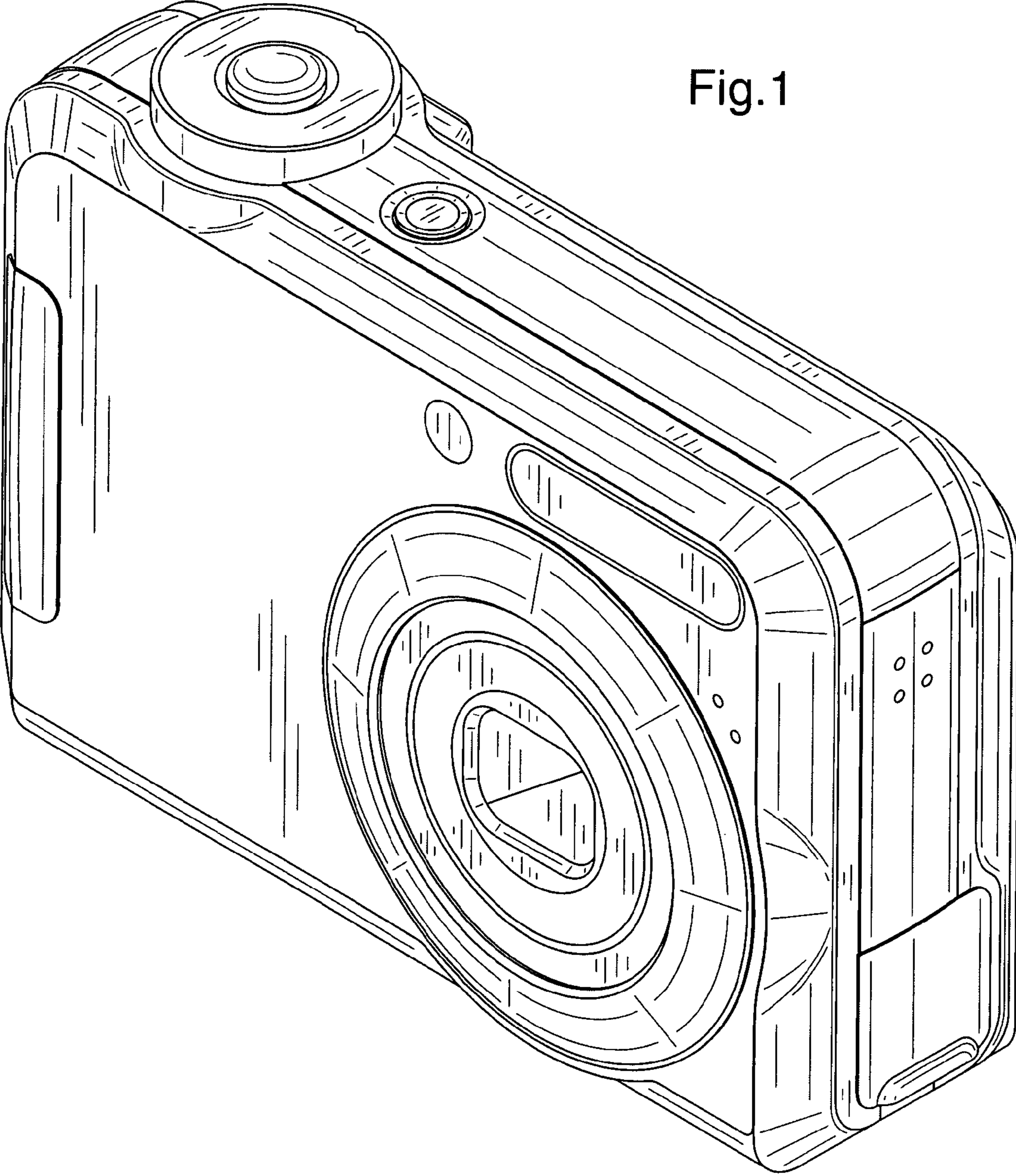


Fig. 1

Fig.2

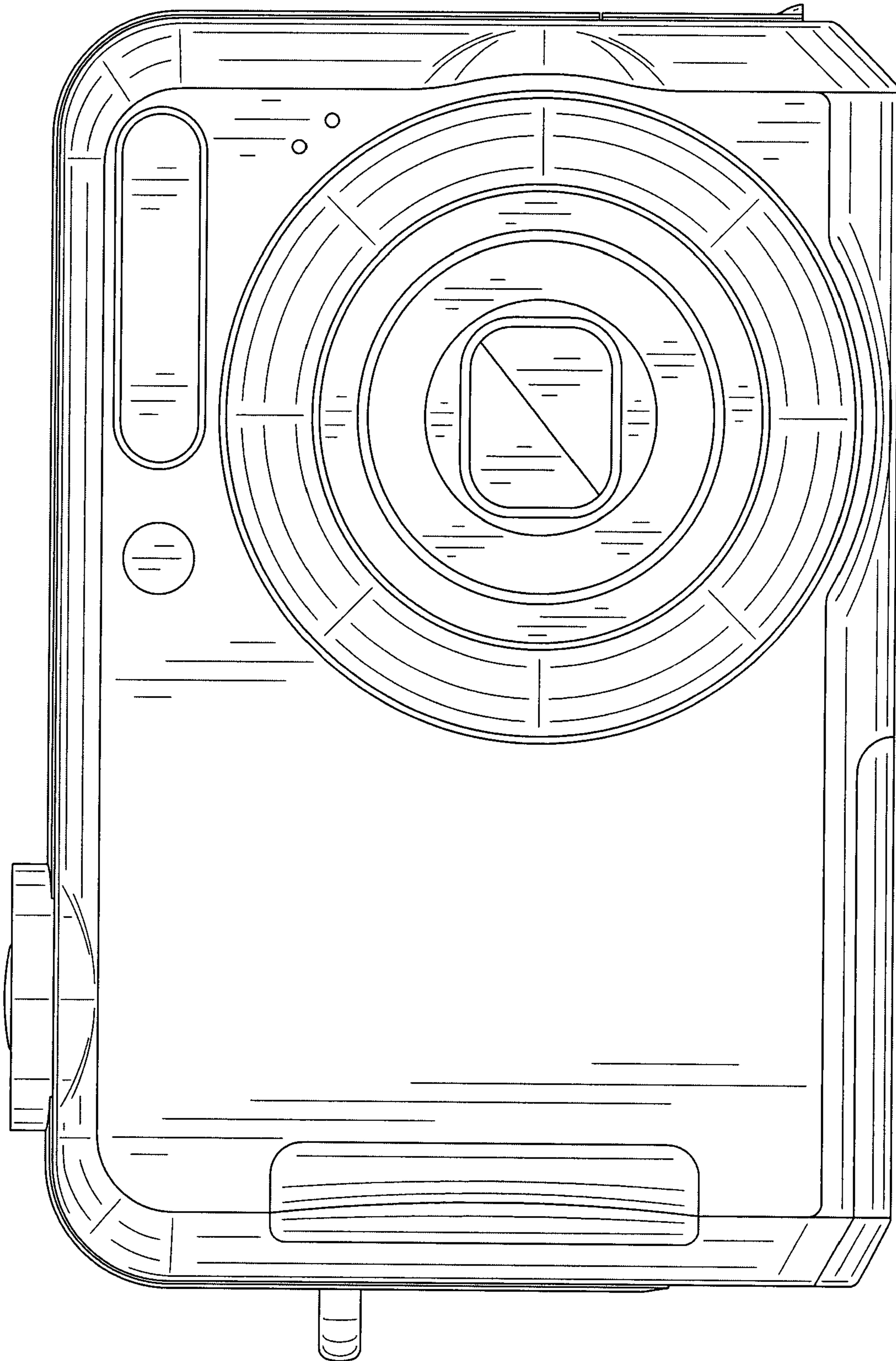


Fig.3

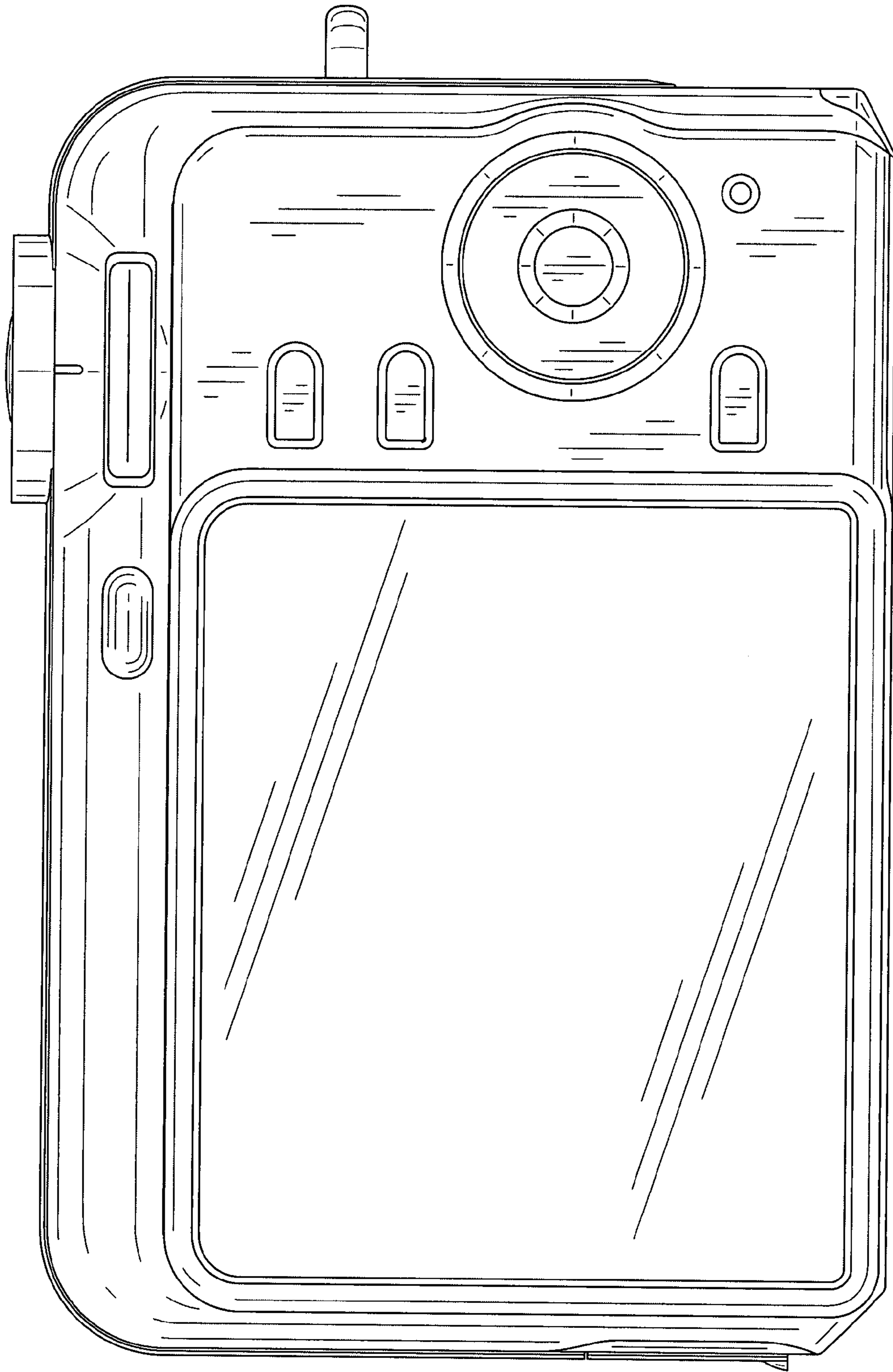


Fig.4

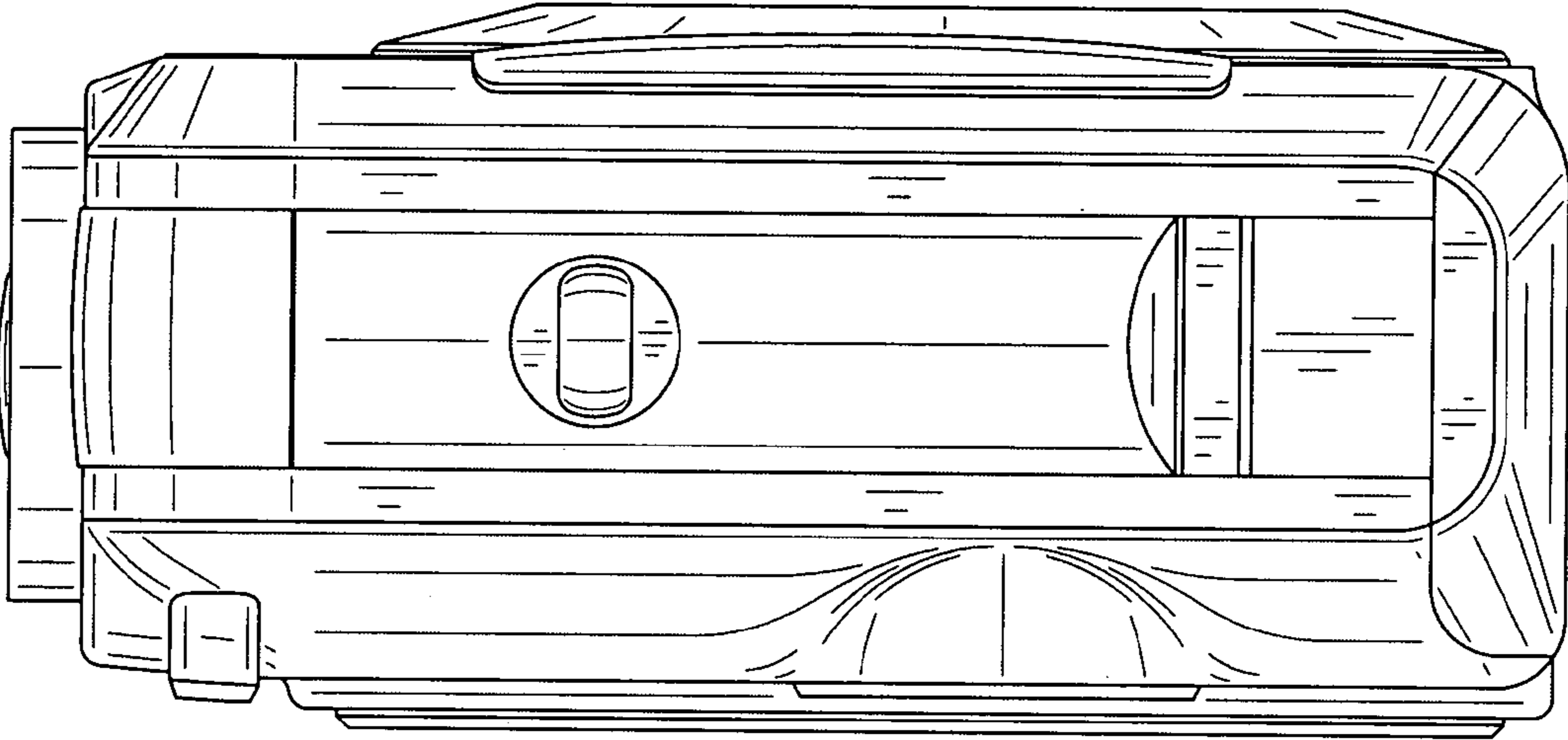


Fig.5

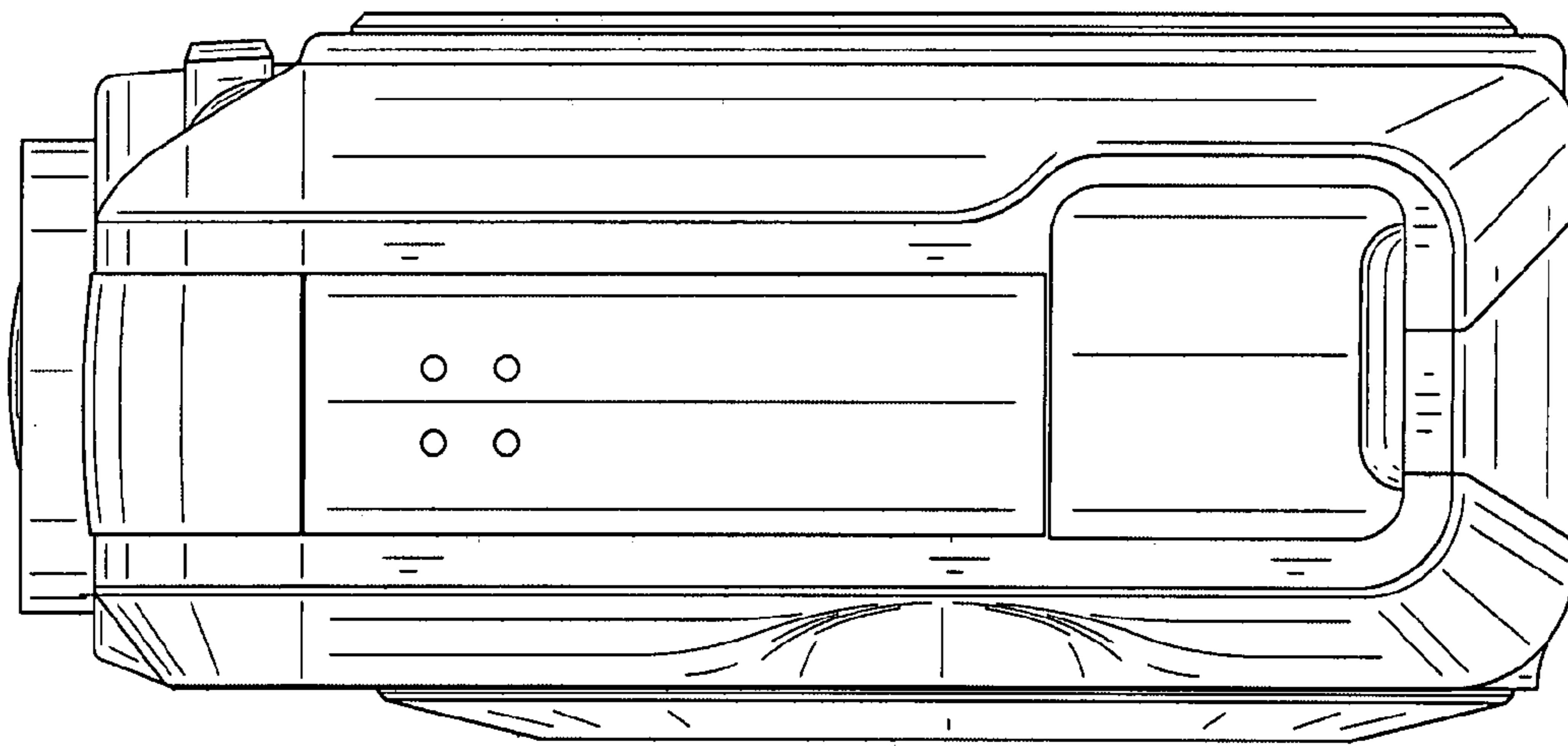


Fig.6

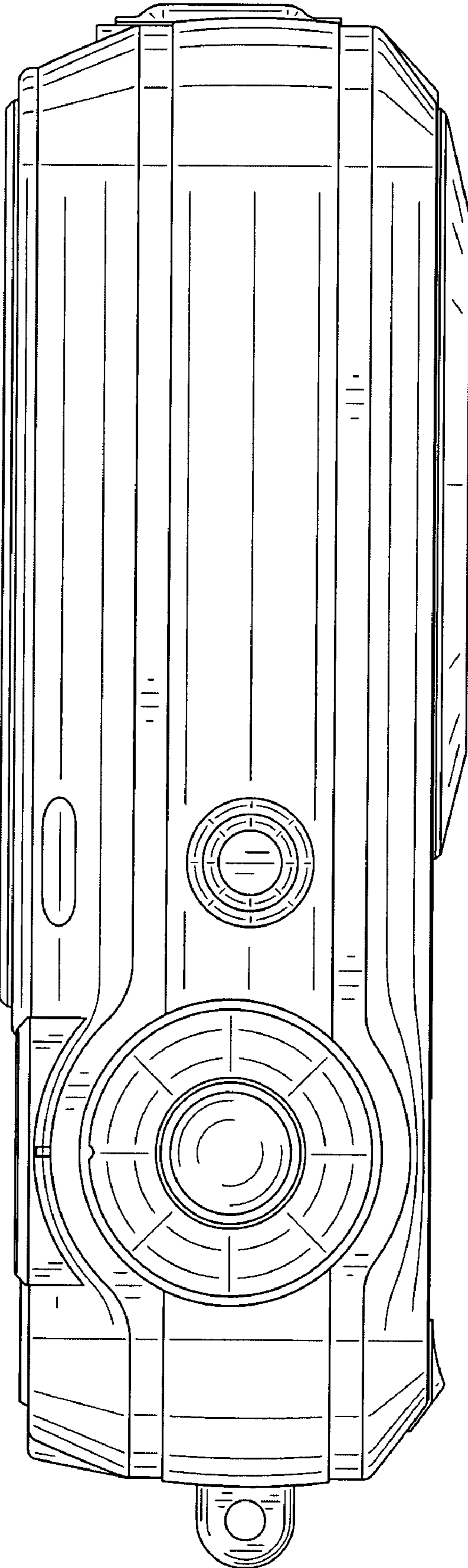


Fig. 7

