



US00D566152S

(12) **United States Design Patent**  
**Shimizu**

(10) **Patent No.:** **US D566,152 S**

(45) **Date of Patent:** **\*\* Apr. 8, 2008**

(54) **COMBINED VIDEO CAMERA AND DISC RECORDER**

(75) Inventor: **Minoru Shimizu**, Tokyo (JP)

(73) Assignee: **Sony Corporation**, Tokyo (JP)

(\*\*) Term: **14 Years**

(21) Appl. No.: **29/267,362**

(22) Filed: **Oct. 13, 2006**

(30) **Foreign Application Priority Data**

Jul. 14, 2006 (JP) ..... D2006-018624

(51) **LOC (8) Cl.** ..... **16-01**

(52) **U.S. Cl.** ..... **D16/217**

(58) **Field of Classification Search** ..... D16/200–206,  
D16/208, 218; 348/373–376; 358/906;  
396/535–541; D14/135, 156, 167–168

See application file for complete search history.

(56) **References Cited**

**U.S. PATENT DOCUMENTS**

D410,016 S *	5/1999	Maeyama	.....	D16/202
D416,929 S *	11/1999	Miyashita	.....	D16/202
D446,799 S *	8/2001	Ohki et al.	.....	D16/202
D496,061 S	9/2004	Hayashi		
D500,512 S	1/2005	Hayashi		
D515,123 S *	2/2006	Kojima et al.	.....	D16/202
D516,597 S	3/2006	Tsuchiya		
D516,600 S	3/2006	Tsuchiya		
D524,840 S	7/2006	Tsuchiya		
D537,463 S *	2/2007	Sadatsuki	.....	D16/219
D544,514 S *	6/2007	Tanifuji et al.	.....	D16/202
D546,855 S *	7/2007	Masano et al.	.....	D16/202

D546,856 S *	7/2007	Masano et al.	.....	D16/202
2005/0140823 A1 *	6/2005	Ishikuro	.....	348/375
2007/0147830 A1 *	6/2007	Amatatsu	.....	396/535

**OTHER PUBLICATIONS**

Office Action mailed on Mar. 27, 2007 (Japan).  
Patent Office Prior Art No. HJ17012628, "News and Information 33", <http://www.sony.jp/CorporateCruise/Press/200601/06-0123B>, Sony Marketing Co., Ltd (Jan. 25, 2006).

U.S. Appl. No. 29/226,052, filed Mar. 24, 2005.

U.S. Appl. No. 29/233,026, filed Jun. 28, 2005.

U.S. Appl. No. 29/233,022, filed Jun. 28, 2005.

\* cited by examiner

*Primary Examiner*—Ian Simmons

*Assistant Examiner*—Wan Laymon

(74) *Attorney, Agent, or Firm*—Rader, Fishman & Grauer, PLLC

(57) **CLAIM**

The ornamental design for a combined video camera and disc recorder, as shown.

**DESCRIPTION**

FIG. 1 is a perspective view of a combined video camera and disc recorder showing my new design;

FIG. 2 is a front elevational view thereof;

FIG. 3 is a rear elevational view thereof;

FIG. 4 is a left side elevational view thereof;

FIG. 5 is a right side elevational view thereof;

FIG. 6 is a top plan view thereof; and,

FIG. 7 is a bottom plan view thereof.

**1 Claim, 7 Drawing Sheets**

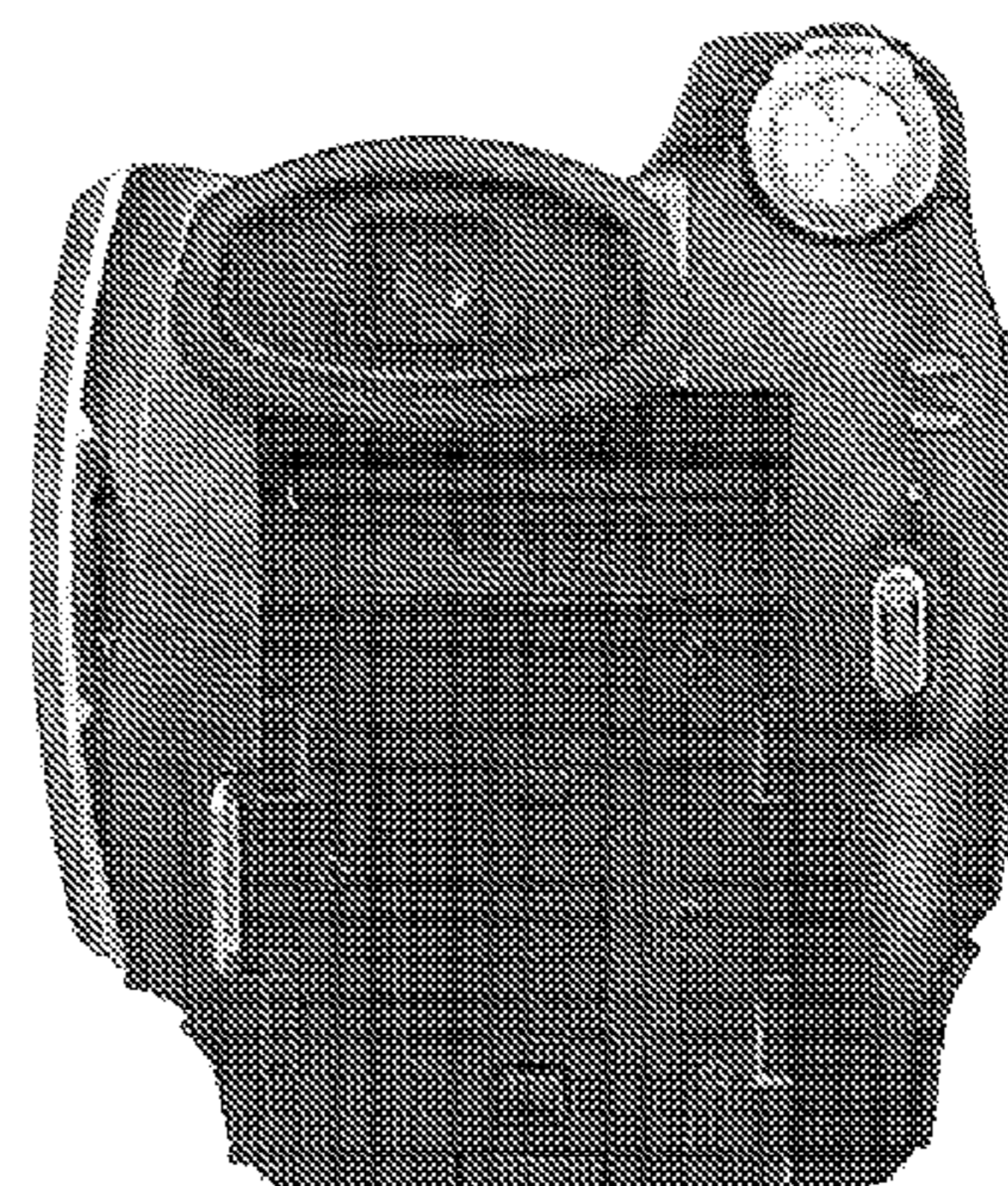
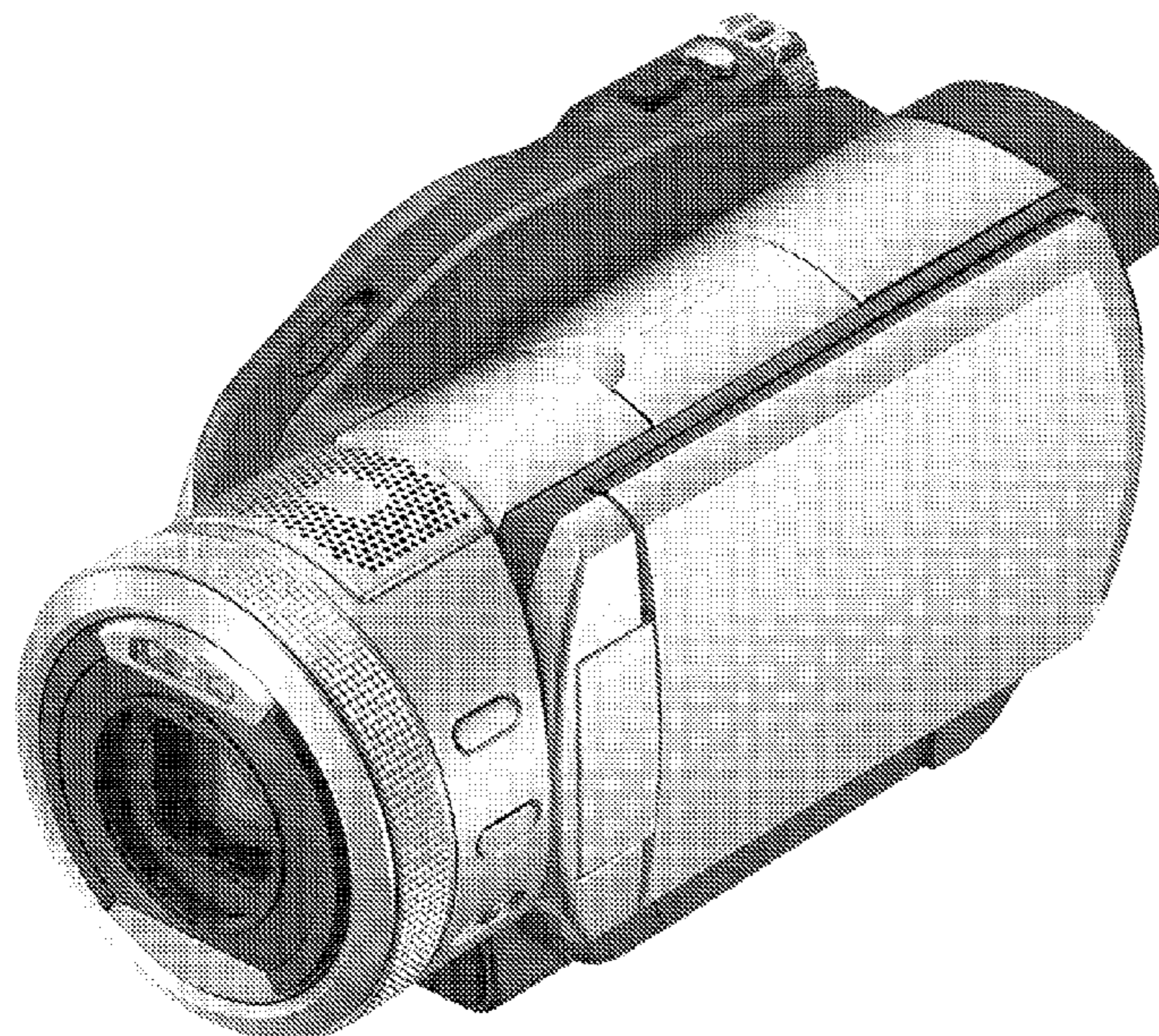


Fig.1

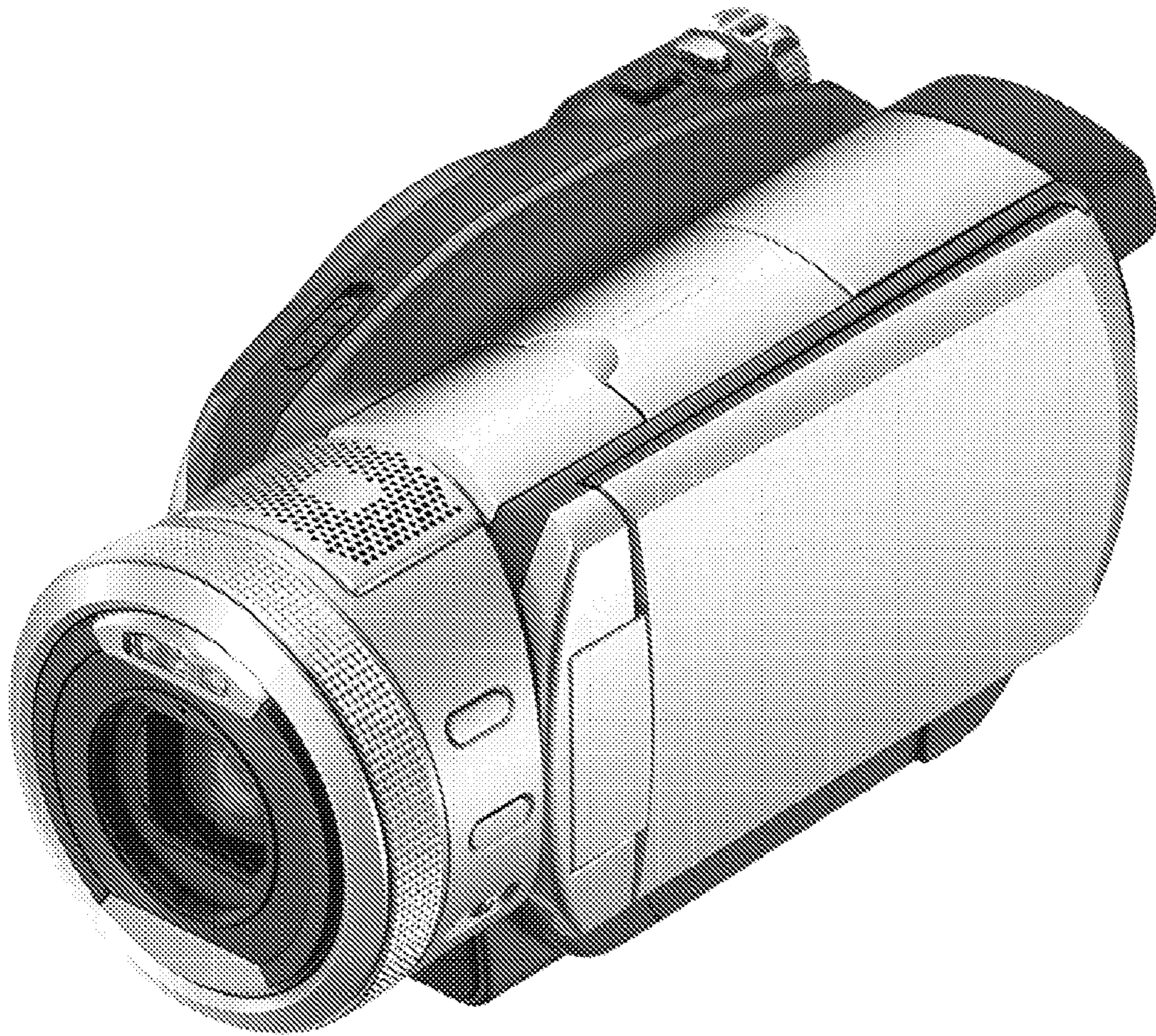


Fig.2

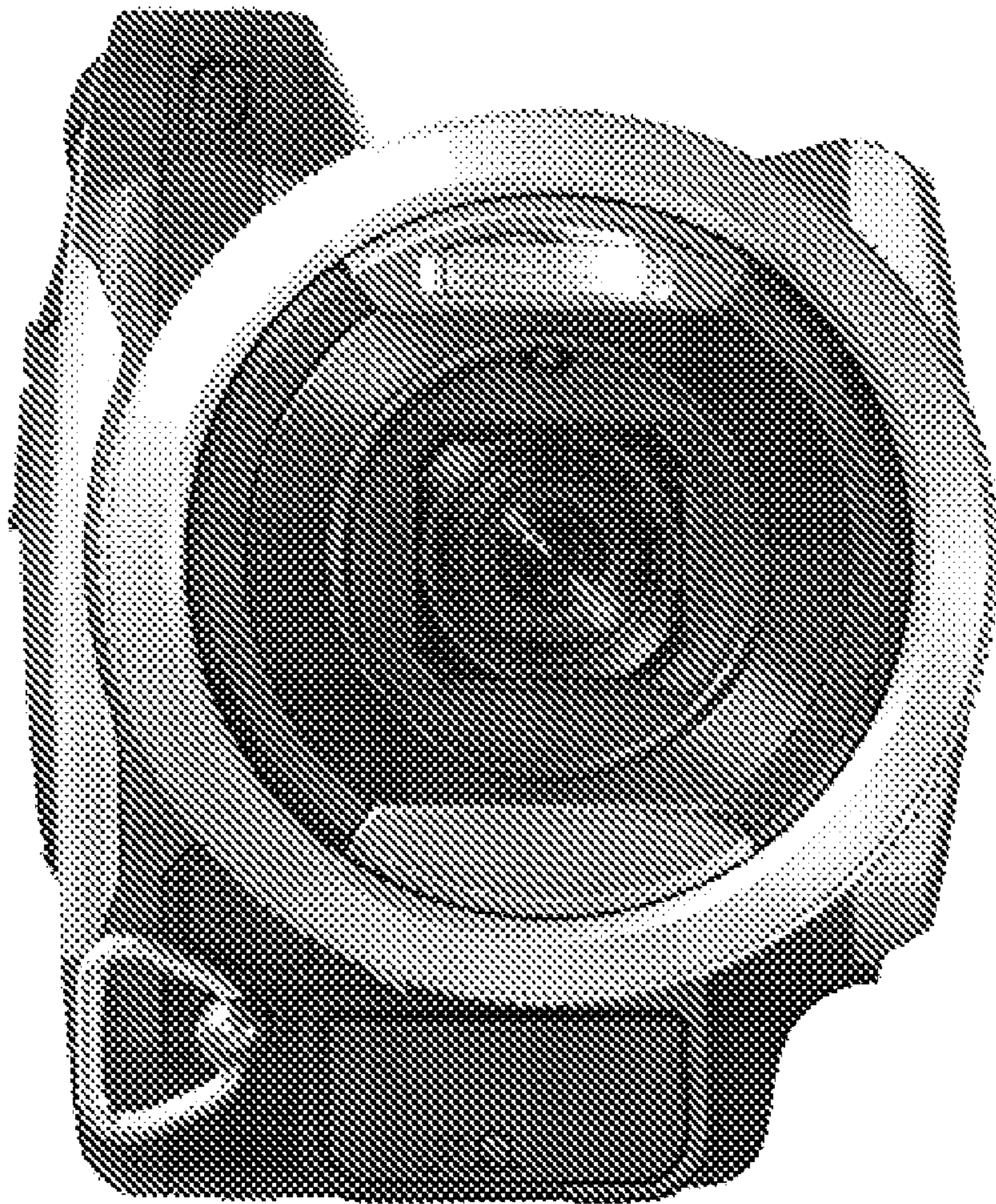


Fig.3



Fig.4

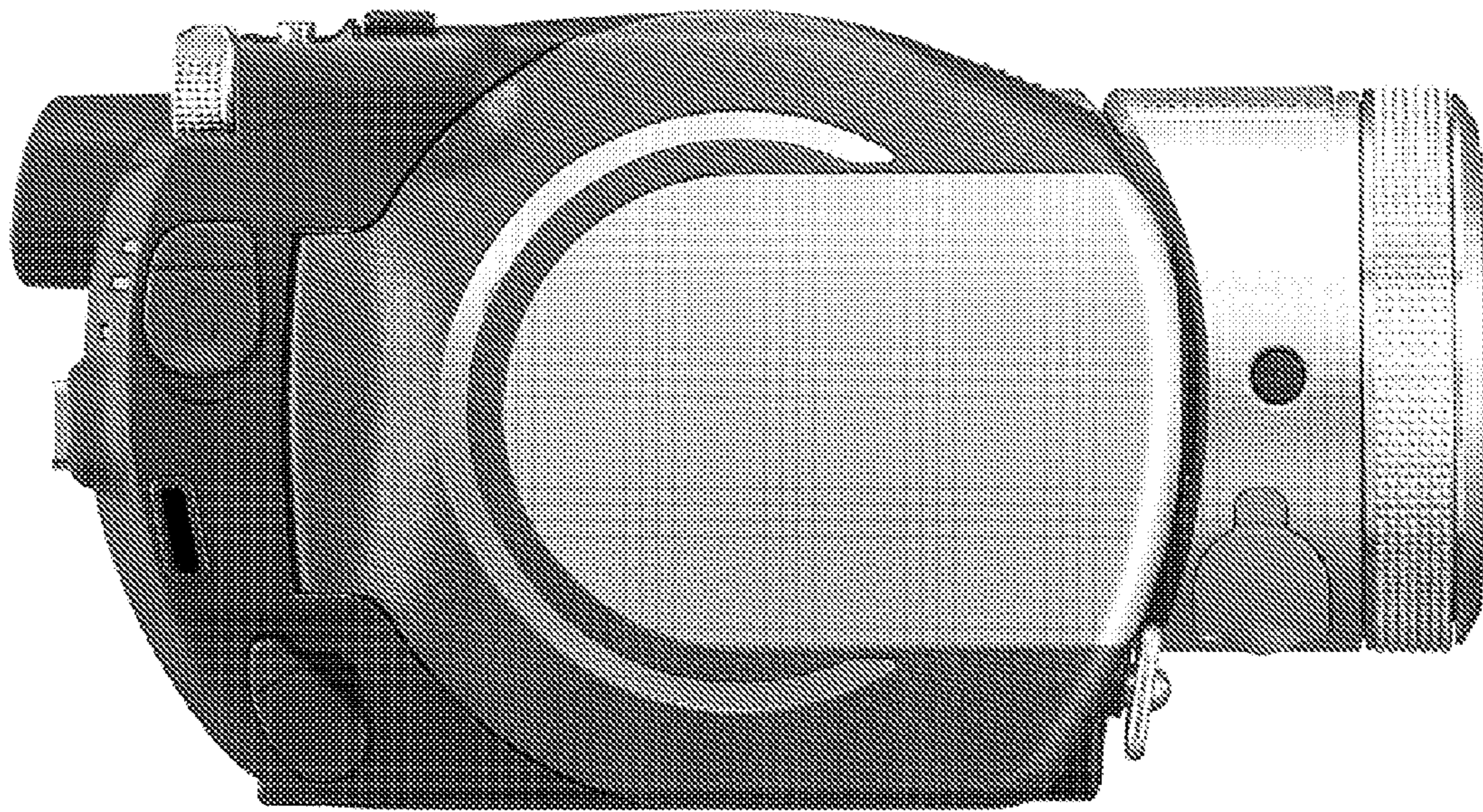


Fig.5

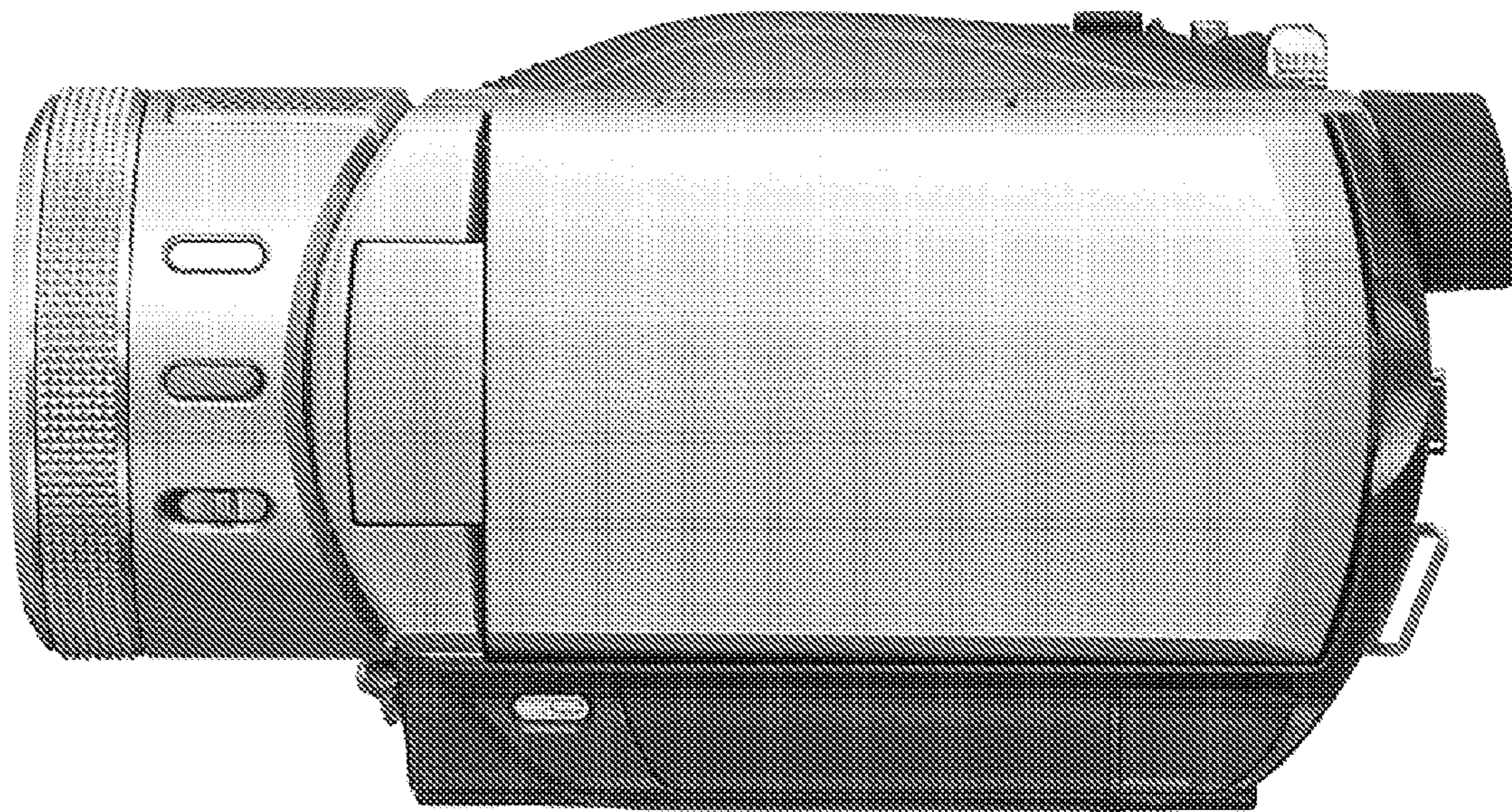


Fig.6

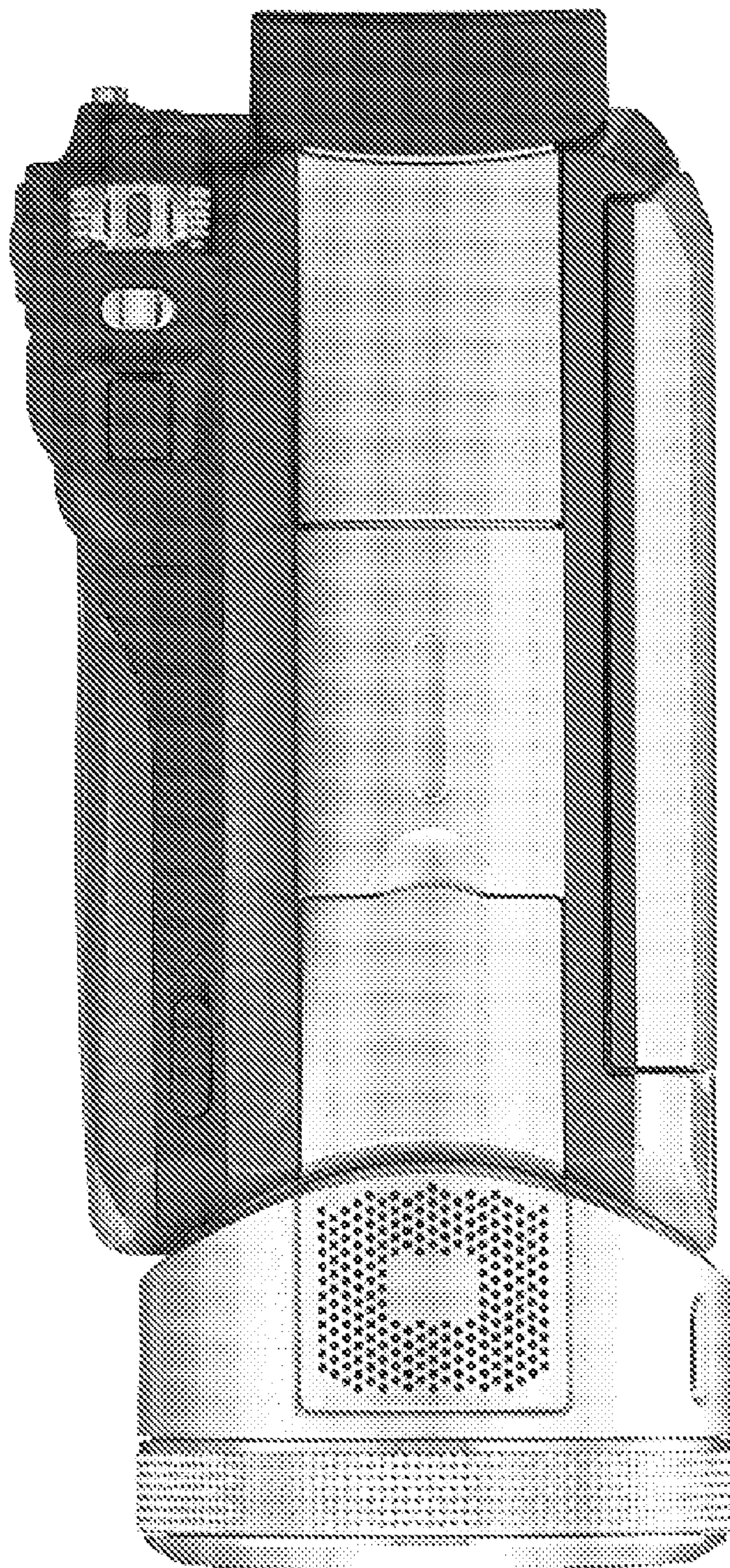


Fig.7

