



US00D566150S

(12) **United States Design Patent**
Sadatsuki

(10) **Patent No.:** **US D566,150 S**

(45) **Date of Patent:** **** *Apr. 8, 2008**

(54) **VIDEO CAMERA**

(75) Inventor: **Koichi Sadatsuki**, Tokyo (JP)

(73) Assignee: **Sony Corporation**, Tokyo (JP)

(*) Notice: This patent is subject to a terminal disclaimer.

(**) Term: **14 Years**

(21) Appl. No.: **29/266,742**

(22) Filed: **Sep. 28, 2006**

(30) **Foreign Application Priority Data**

Jul. 5, 2006 (JP) D2006-017716

(51) **LOC (8) Cl.** **16-01**

(52) **U.S. Cl.** **D16/202**

(58) **Field of Classification Search** D16/200–206,
D16/208, 218; 348/373–376; 358/906;
396/427, 535, 536–541

See application file for complete search history.

(56) **References Cited**

U.S. PATENT DOCUMENTS

D416,929 S 11/1999 Miyashita
D445,816 S * 7/2001 Tanaka D16/203
D477,343 S 7/2003 Miyashita

6,683,654 B1 * 1/2004 Haijima 348/374
D500,776 S * 1/2005 Miyashita D16/202
D502,478 S * 3/2005 Inuma et al. D16/202
D516,597 S * 3/2006 Tsuchiya D16/202
D521,041 S * 5/2006 Chung et al. D16/202
D524,342 S * 7/2006 Suzuki D16/202
D532,805 S * 11/2006 Masano et al. D16/202
D544,514 S * 6/2007 Tanifuji et al. D16/202

* cited by examiner

Primary Examiner—Adir Aronovich

(74) *Attorney, Agent, or Firm*—Rader, Fishman & Grauer, PLLC

(57) **CLAIM**

The ornamental design for a video camera, as shown.

DESCRIPTION

FIG. 1 is a perspective view of a video camera showing my new design;

FIG. 2 is a front elevational view thereof;

FIG. 3 is a rear elevational view thereof;

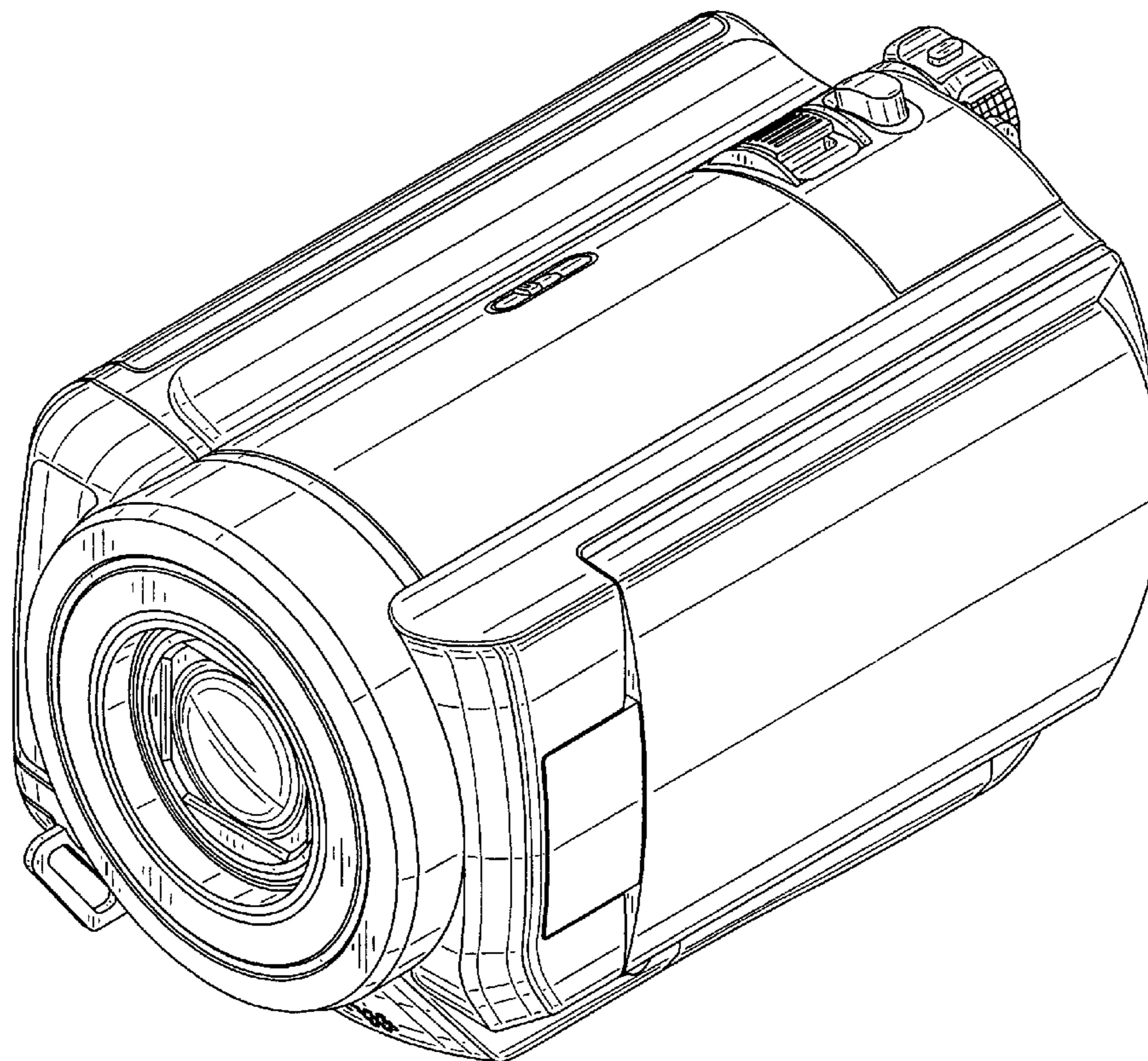
FIG. 4 is a left side elevational view thereof;

FIG. 5 is a right side elevational view thereof; and

FIG. 6 is a top plan view thereof; and,

FIG. 7 is a bottom plan view of the video camera.

1 Claim, 7 Drawing Sheets



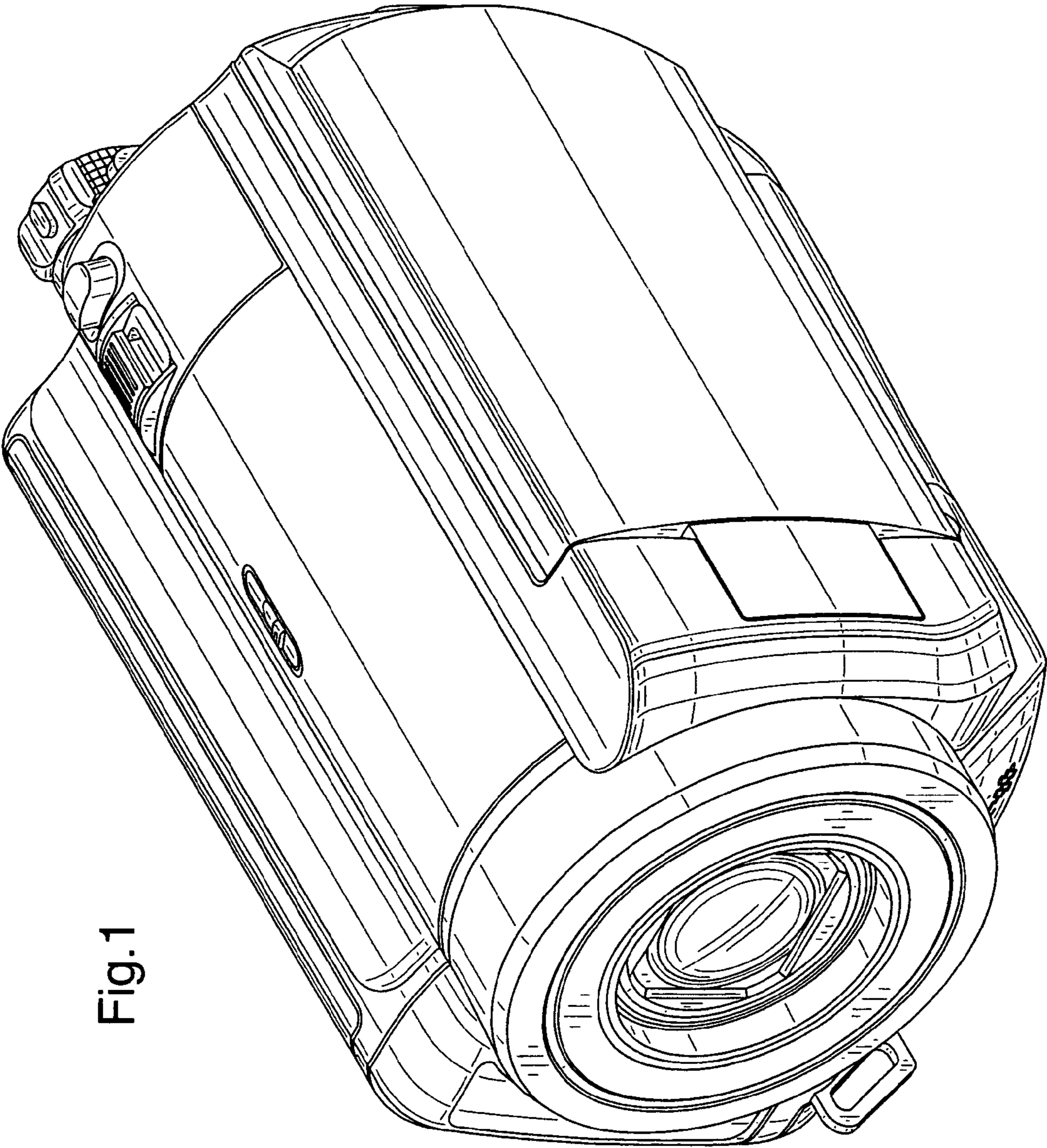


Fig.1

Fig.2

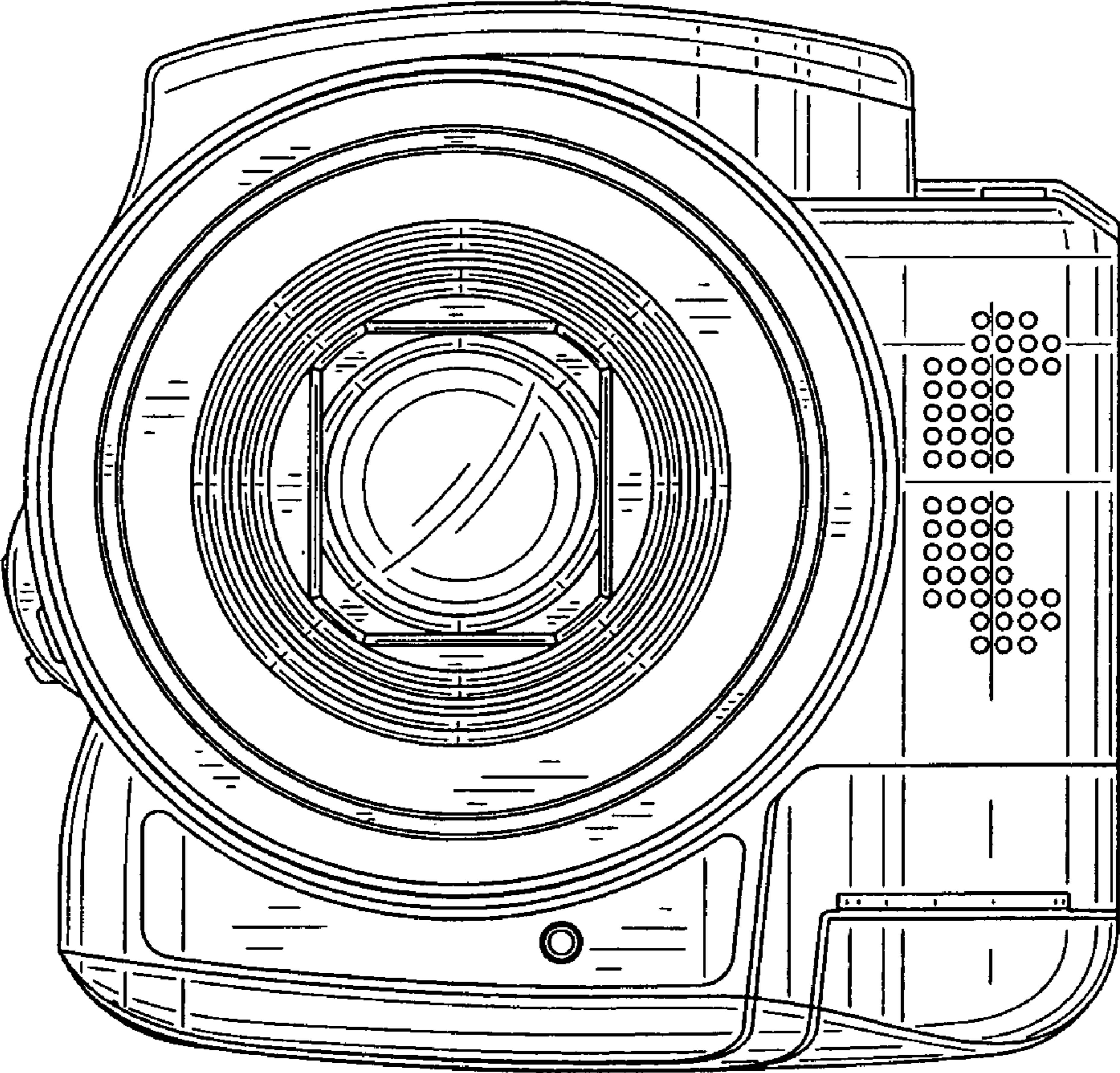


Fig.3

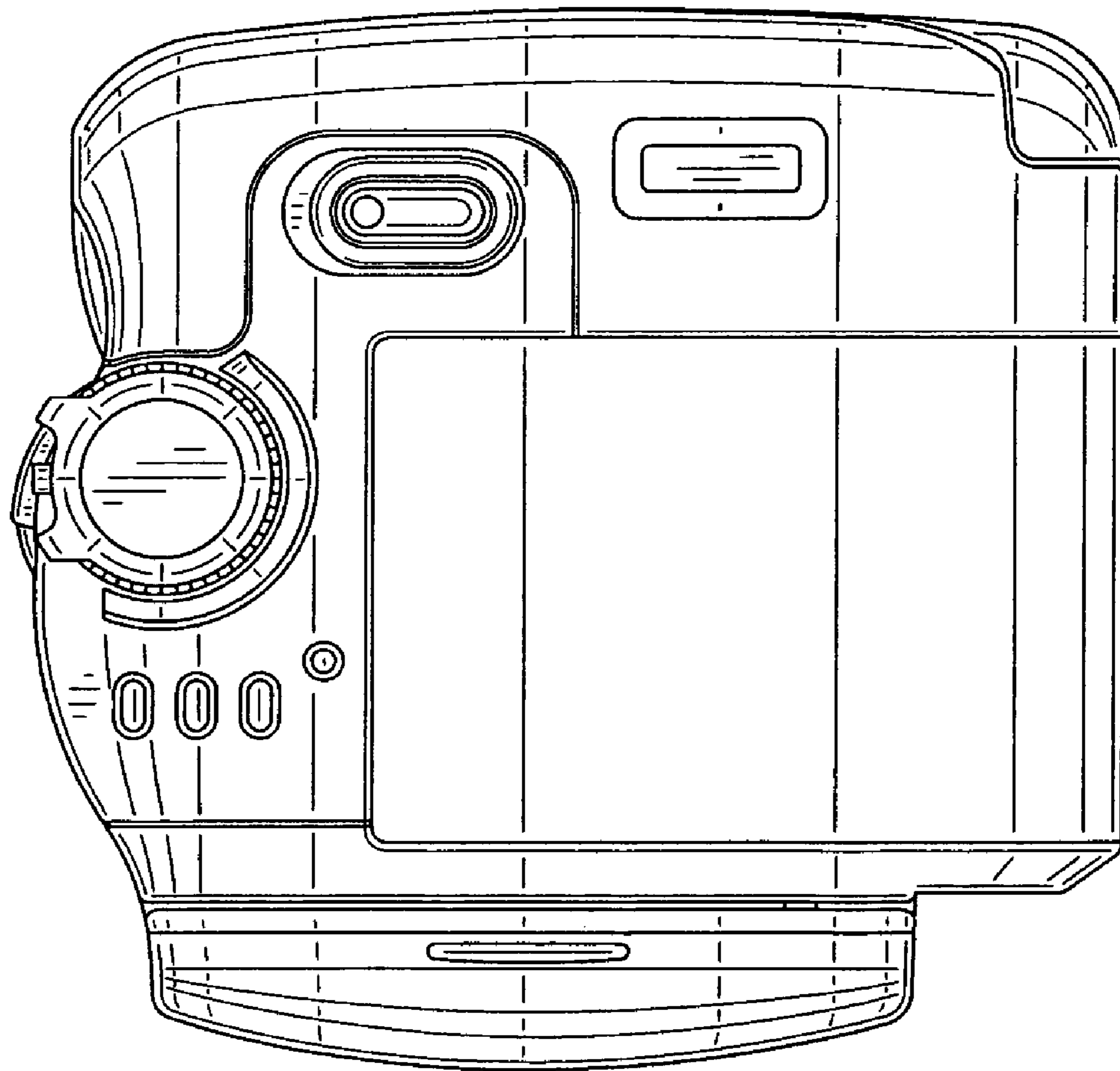


Fig.4

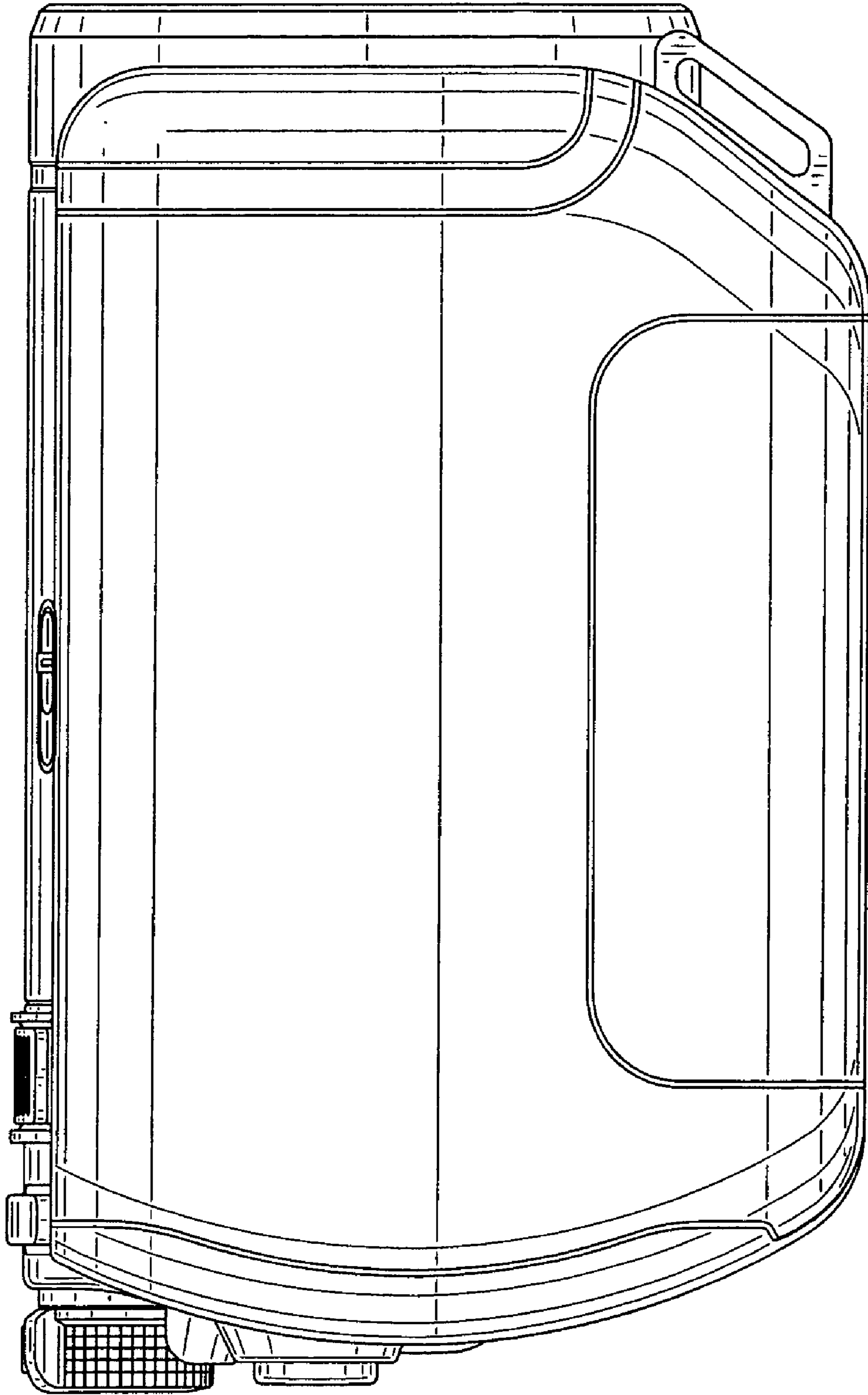


Fig.5

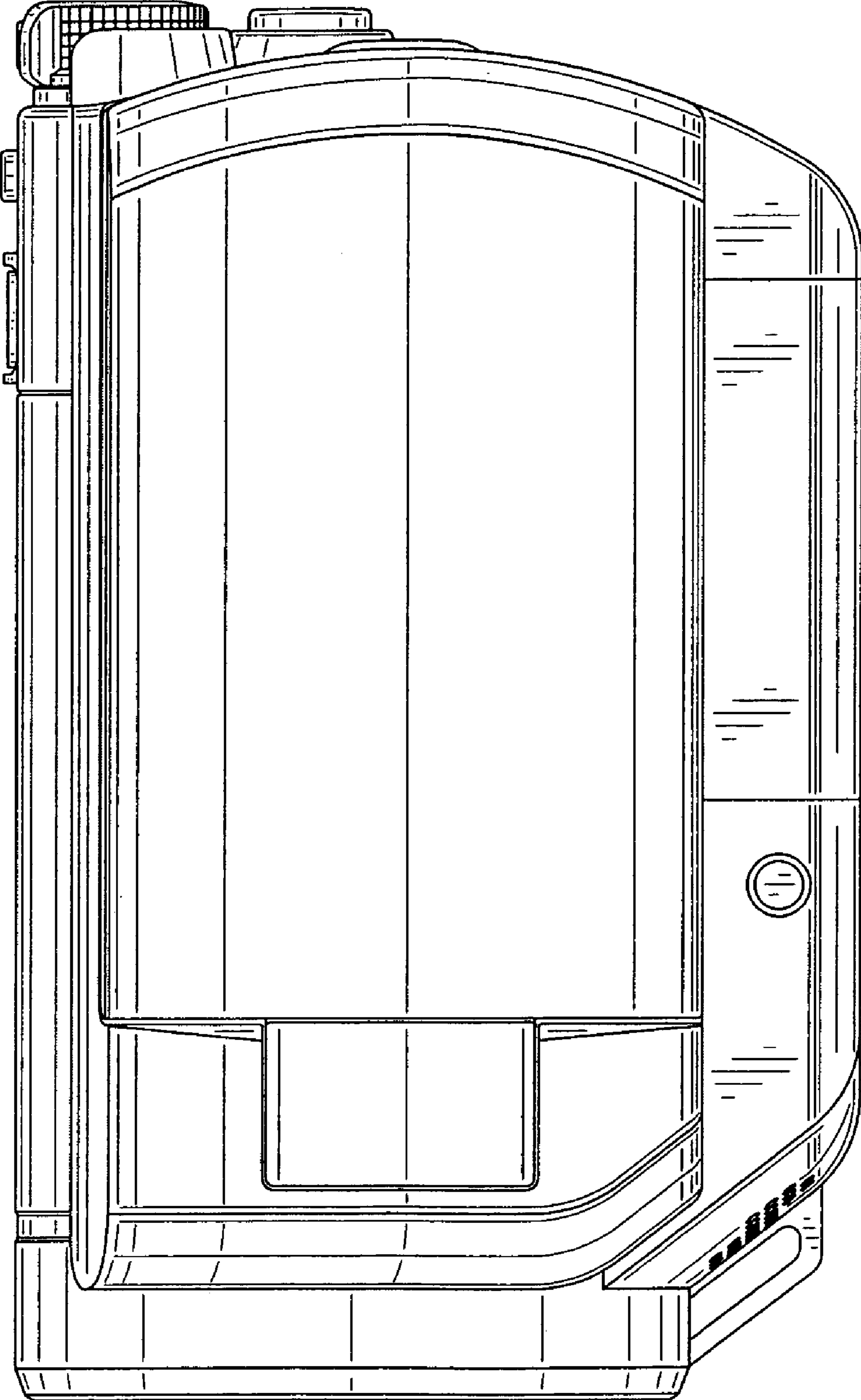


Fig.6

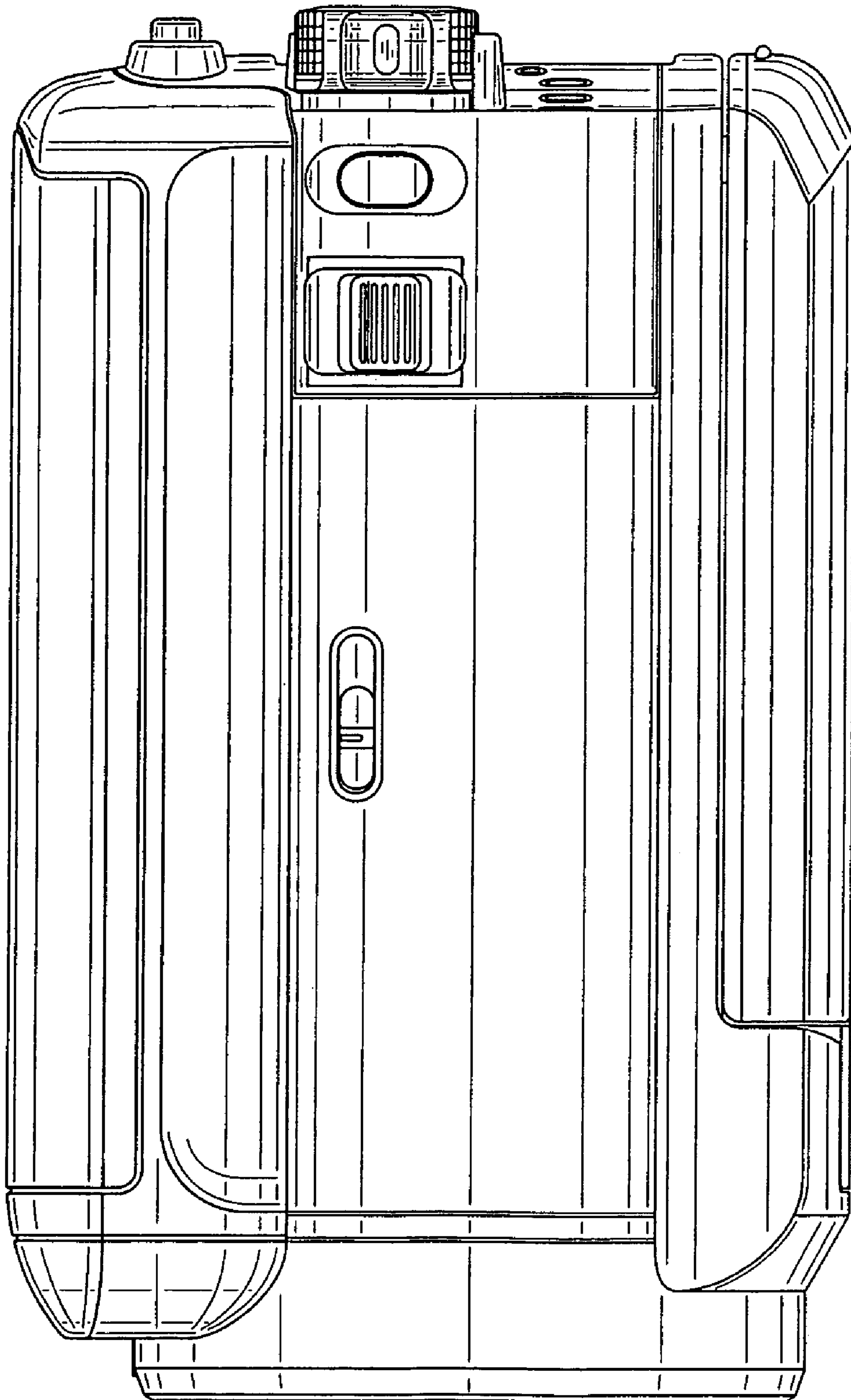


Fig.7

