

US00D566149S

(12) **United States Design Patent**
Sumita

(10) **Patent No.:** **US D566,149 S**

(45) **Date of Patent:** **** Apr. 8, 2008**

(54) **CAMERA**

(75) **Inventor:** **Kaoru Sumita**, Tokyo (JP)

(73) **Assignee:** **Sony Corporation**, Tokyo (JP)

(**) **Term:** **14 Years**

(21) **Appl. No.:** **29/263,146**

(22) **Filed:** **Jul. 18, 2006**

(30) **Foreign Application Priority Data**

Jan. 18, 2006	(JP)	2006-000784
Jan. 26, 2006	(TW)	95300450
Jan. 26, 2006	(TW)	95300452

(51) **LOC (8) Cl.** **16-01**

(52) **U.S. Cl.** **D16/202**

(58) **Field of Classification Search** D16/200-206,
D16/208-209, 218-219, 237; 348/373-376;
358/906, 909.1; 396/535-541

See application file for complete search history.

(56) **References Cited**

U.S. PATENT DOCUMENTS

D401,604 S	11/1998	Ito et al.	
D423,031 S	4/2000	Shinohara et al.	
D426,252 S *	6/2000	Ito et al.	D16/218
D443,289 S	6/2001	Omino	
D456,436 S	4/2002	Omino	
D475,383 S	6/2003	Omino	
D475,384 S	6/2003	Tanaka	
D481,405 S *	10/2003	Sakaguchi	D16/202
D490,833 S *	6/2004	Sakaguchi et al.	D16/202
D520,547 S *	5/2006	Yanagisawa et al.	D16/202
D525,274 S *	7/2006	Nagayama et al.	D16/202
D535,314 S *	1/2007	Chang	D16/202
D548,257 S *	8/2007	Onuma et al.	D16/202

FOREIGN PATENT DOCUMENTS

JP	D1113587	4/2001
JP	D1182401	6/2003

JP	D1199813	1/2004
JP	D1223913	10/2004
JP	D1242931	4/2005

OTHER PUBLICATIONS

Cyber-shot® DSC-N1 Digital Camera <http://www.sonystyle.com/is-bin/INTERSHOP.enfinity/eCS/Store/en/-/USD/S...> May 23, 2006.

Cyber-shot® DSC-W100 Digital Camera <http://www.sonystyle.com/is-bin/INTERSHOP.enfinity/eCS/Store/en/-/USD/S...> May 25, 2006.

Canon USA Consumer Products—Digital Cameras—PowerShot SD450 <http://www.usa.canon.com/consumer/controller?act=ModelDetailAct&fcategoryid...> May 23, 2006.

EZ-Z60—Exilim Zoom—Cameras—Products—CASIO http://www.casio.com/products/Cameras/Exilim_Zoom/EX-Z60/ May 23, 2006.

Leica—C-Lux 1 http://www.leica-camera.com/digitalekameras/c-lux1/index_e.html May 24, 2006.

* cited by examiner

Primary Examiner—Ian Simmons

Assistant Examiner—Wan Laymon

(74) *Attorney, Agent, or Firm*—Oblon, Spivak, McClelland, Maier & Neustadt, P.C.

(57) **CLAIM**

The ornamental design for a camera, as shown and described.

DESCRIPTION

FIG. 1 is a top and right front perspective view of a camera, showing my design;

FIG. 2 is a front elevational view thereof;

FIG. 3 is a rear elevational view thereof;

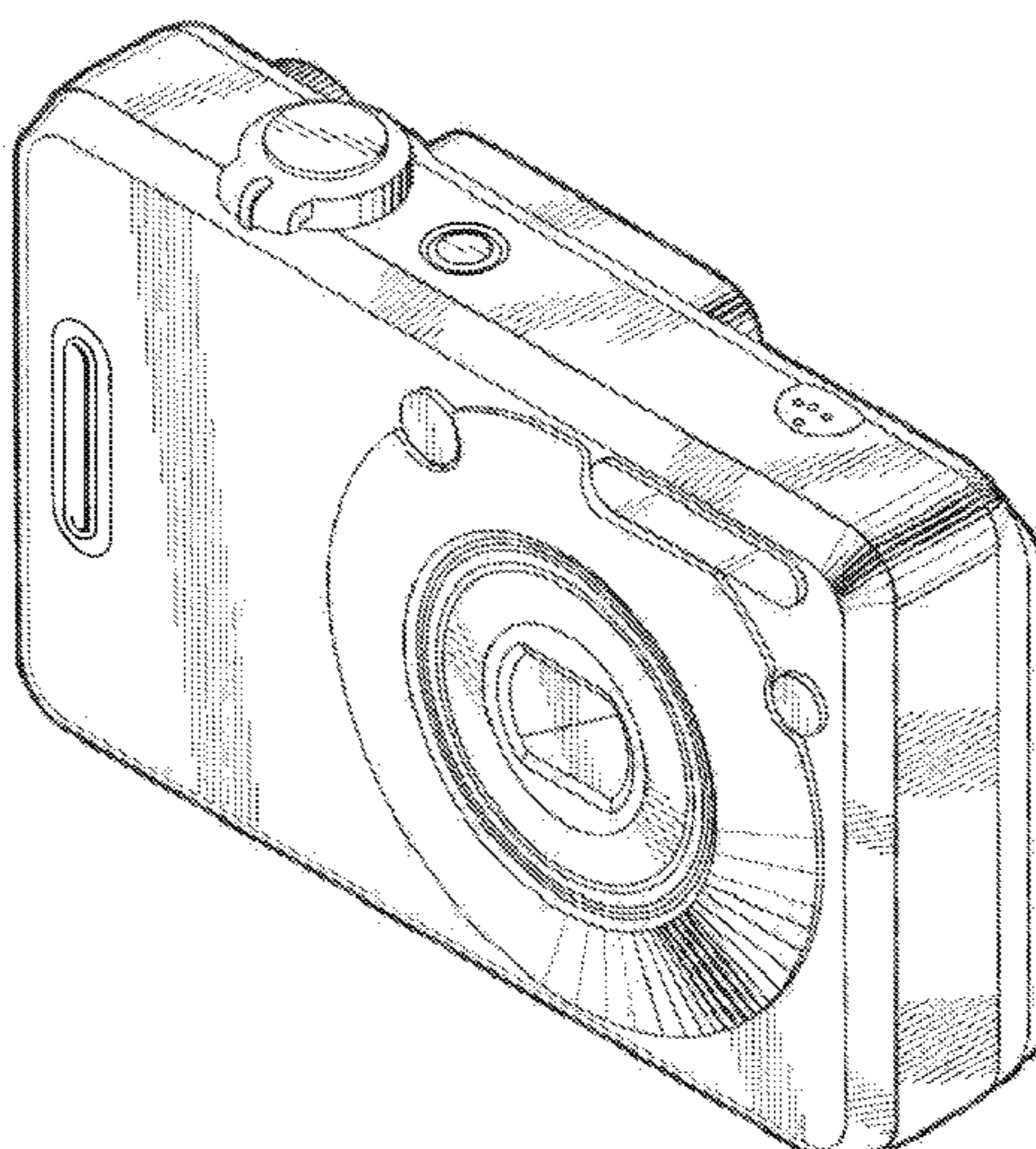
FIG. 4 is a left side elevational view thereof;

FIG. 5 is a right side elevational view thereof;

FIG. 6 is a top plan view thereof; and,

FIG. 7 is a bottom plan view thereof.

1 Claim, 4 Drawing Sheets



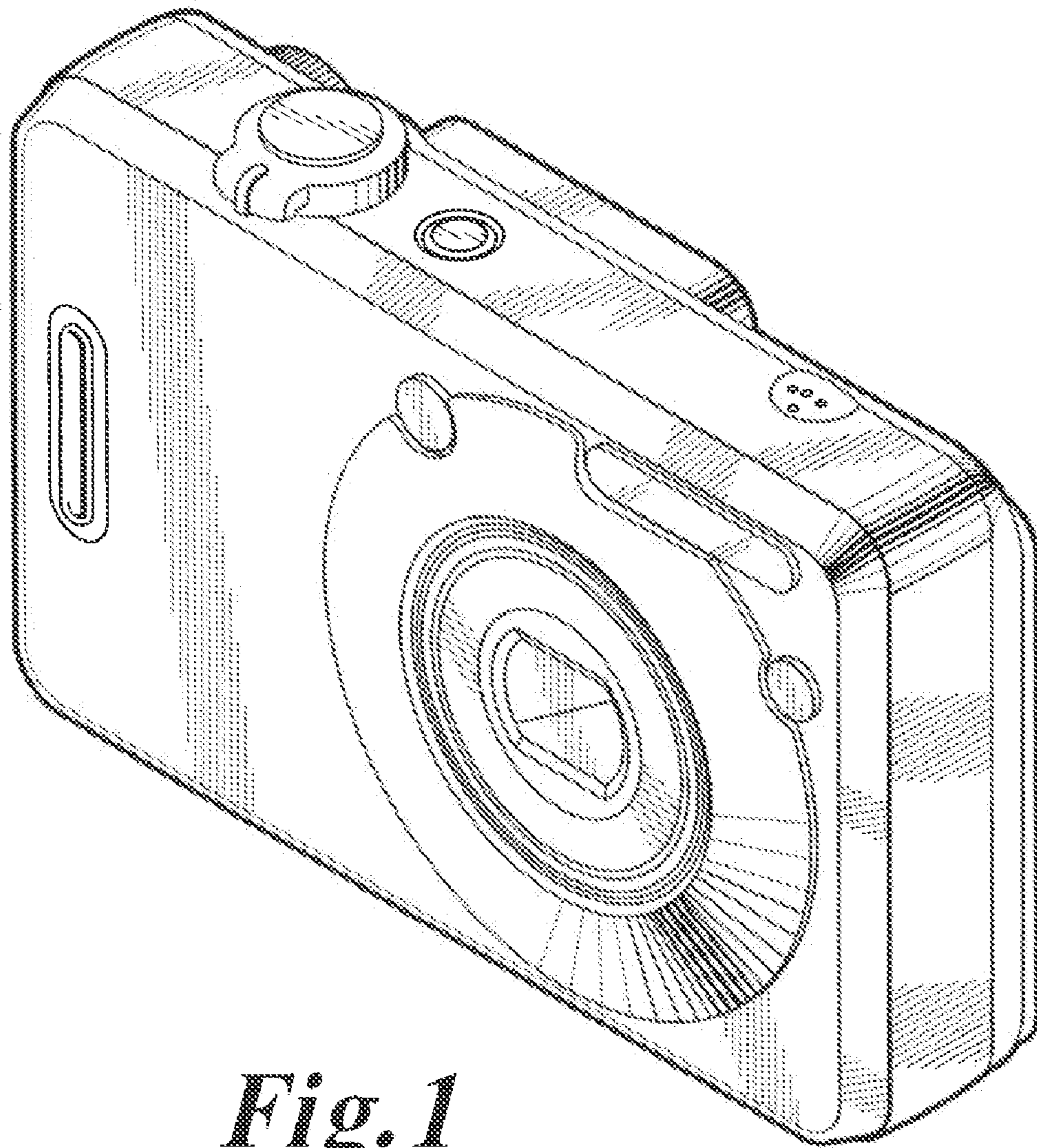


Fig. 1

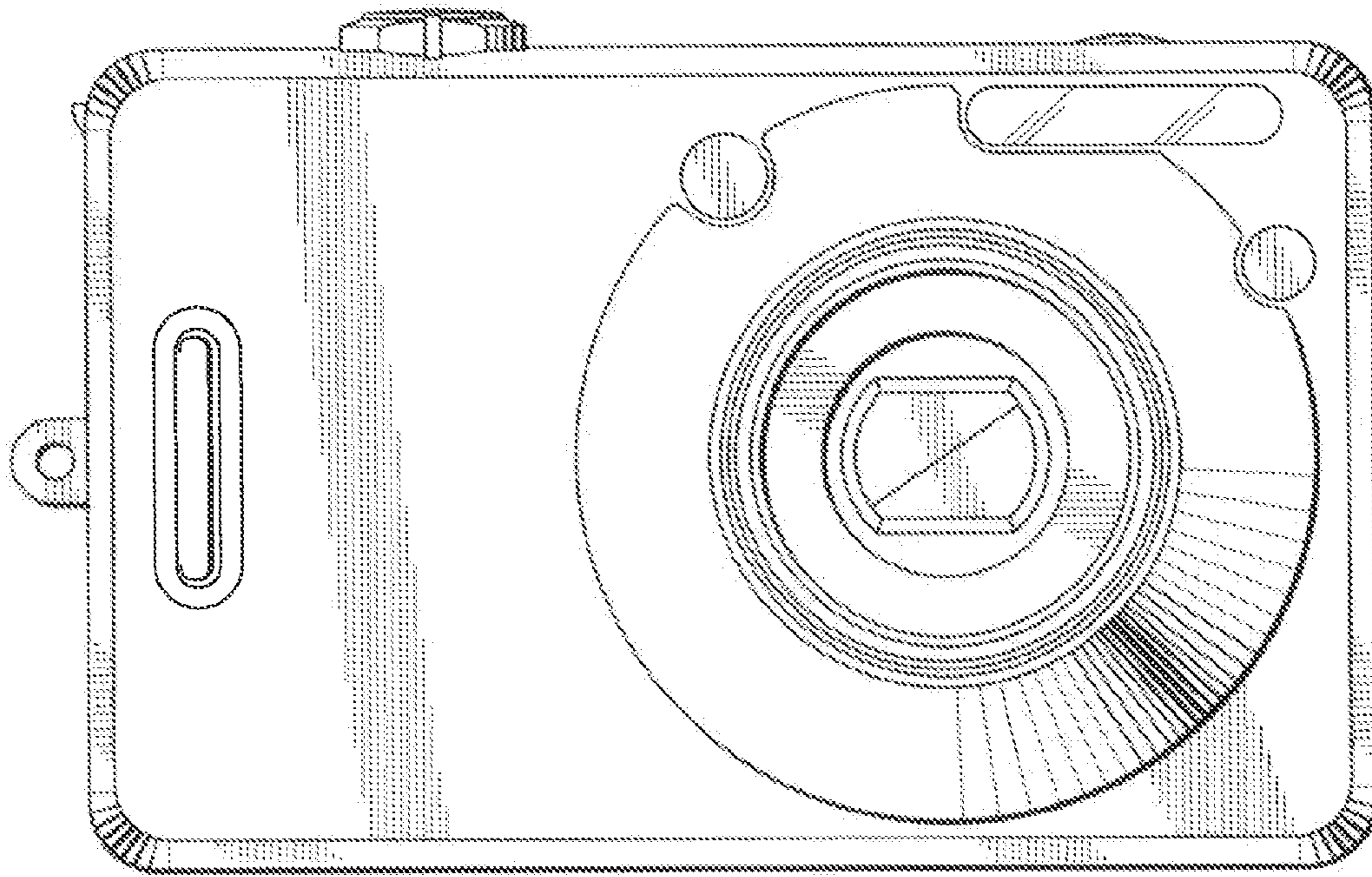


Fig. 2

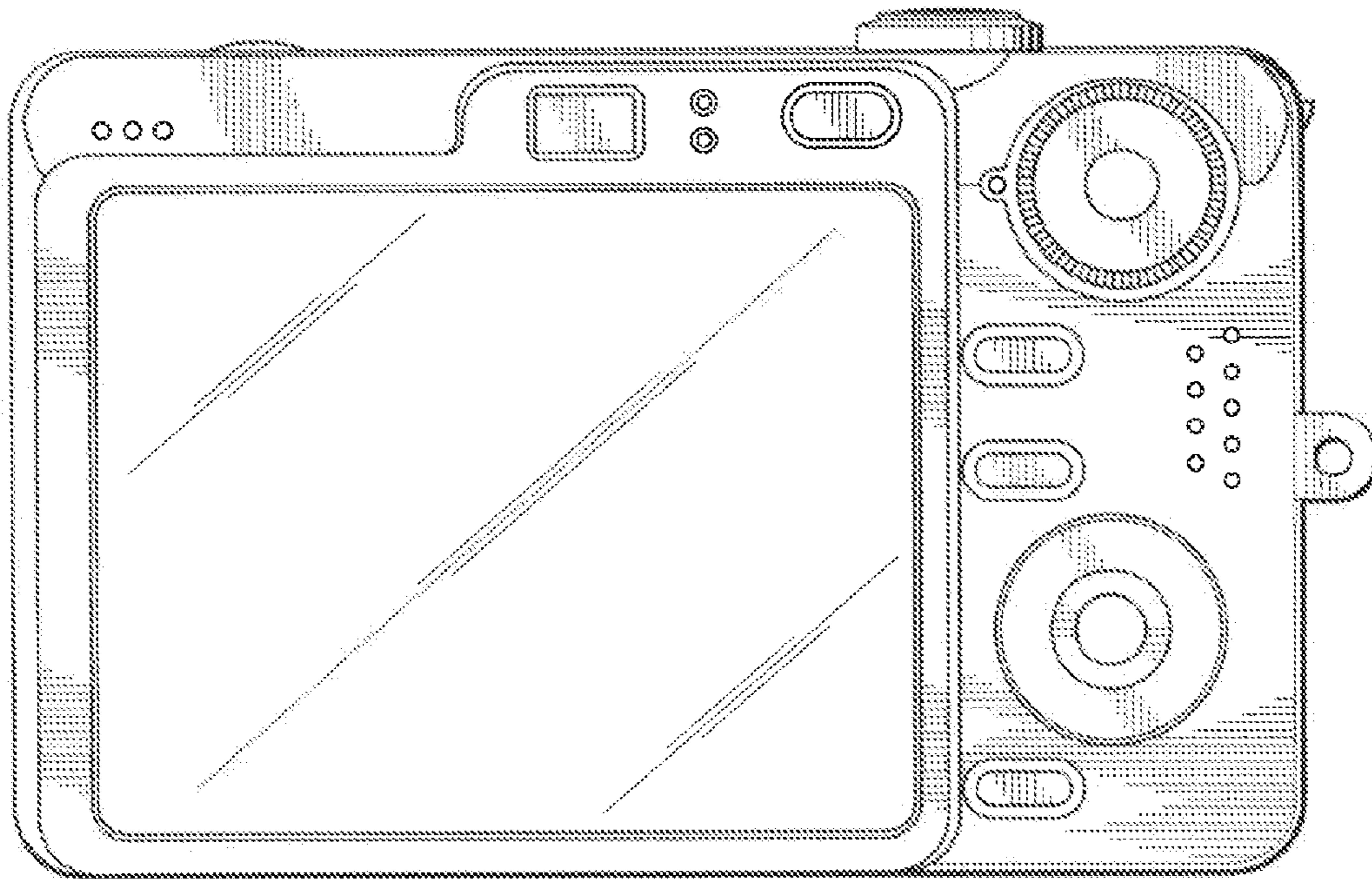


Fig. 3

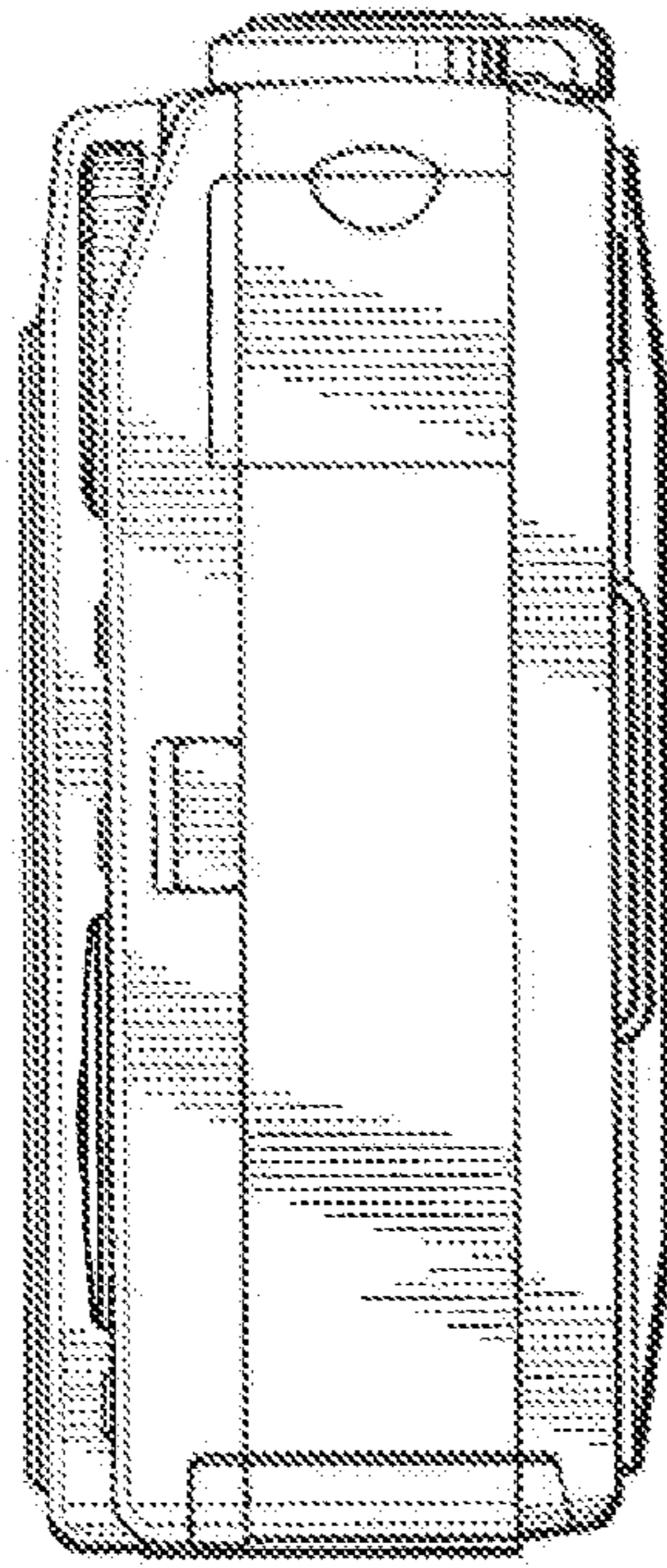


Fig. 4

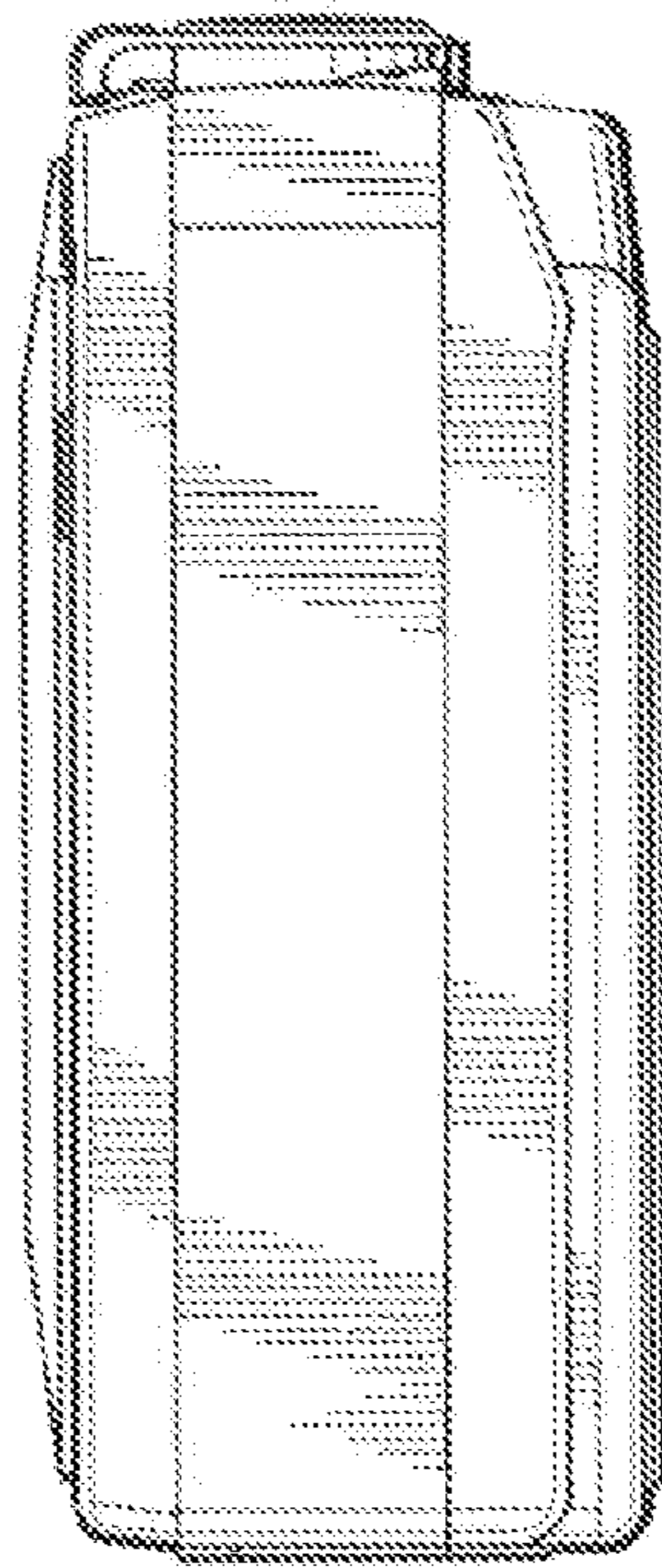


Fig. 5

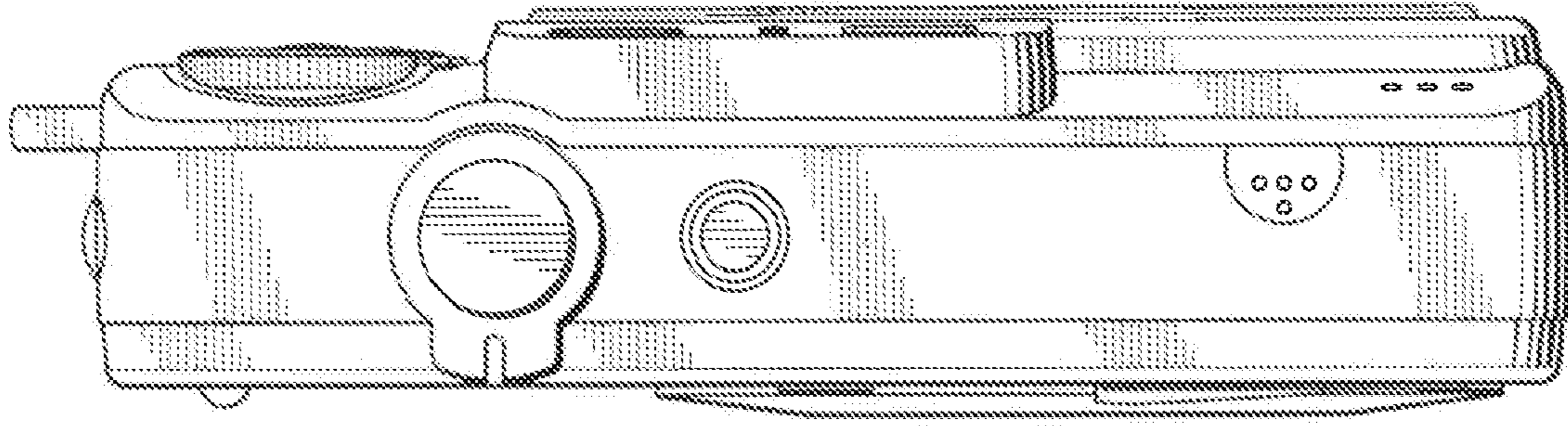


Fig. 6

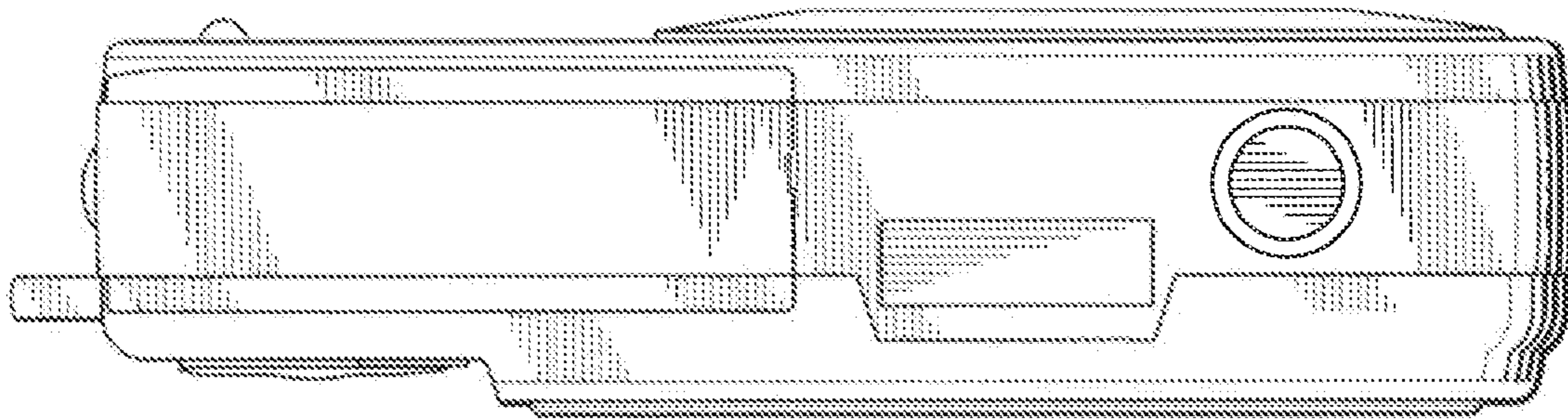


Fig. 7