



US00D566145S

(12) **United States Design Patent**  
**Pinchot**

(10) **Patent No.:** **US D566,145 S**

(45) **Date of Patent:** **\*\* \*Apr. 8, 2008**

(54) **EXTRUDER PLATE FOR GENERALLY TRIANGULAR SHAPED EXTRUDER INSERTS**

(75) Inventor: **James M. Pinchot**, Parma, OH (US)

(73) Assignee: **JMP Industries, Inc.**, Parma, OH (US)

(\* ) Notice: This patent is subject to a terminal disclaimer.

(\*\*) Term: **14 Years**

(21) Appl. No.: **29/285,127**

(22) Filed: **Mar. 21, 2007**

(51) **LOC (8) Cl.** ..... **15-09**

(52) **U.S. Cl.** ..... **D15/139**

(58) **Field of Classification Search** ..... D7/368, D7/387, 665, 672, 676, 677; D15/138, 139, D15/199; D21/398, 401, 444, 468, 483, D21/488, 501-503, 563, 680; 264/117.12, 264/209.1, 209.8; 366/76.1, 149; 425/190, 425/208, 380; D23/259-261

See application file for complete search history.

(56) **References Cited**

**U.S. PATENT DOCUMENTS**

- 3,303,247 A \* 2/1967 Carter et al. .... 264/209.8
- 3,412,694 A \* 11/1968 Hewett et al. .... 425/380
- 3,690,806 A \* 9/1972 Kovacs ..... 425/380
- 3,790,654 A \* 2/1974 Bagley ..... 264/209.1
- 3,911,070 A \* 10/1975 Lundsager ..... 264/209.1
- 3,933,965 A \* 1/1976 Gallone et al. .... 264/209.1
- D253,145 S \* 10/1979 Adam ..... D23/261
- D253,146 S \* 10/1979 Adam ..... D23/261
- 4,293,357 A 10/1981 Higuchi et al.
- 4,354,820 A \* 10/1982 Yamamoto et al. .... 264/209.8
- D290,166 S \* 6/1987 Jacuzzi ..... D23/261
- 4,738,735 A 4/1988 Joncker et al.
- 4,747,986 A \* 5/1988 Chao ..... 264/209.8
- 4,767,309 A \* 8/1988 Mizuno et al. .... 264/209.1
- D299,522 S \* 1/1989 Chalberg ..... D23/261
- 4,812,276 A \* 3/1989 Chao ..... 264/209.8

- 4,846,657 A \* 7/1989 Chao ..... 425/190
- D344,325 S \* 2/1994 Chalberg ..... D23/261
- D348,924 S \* 7/1994 Merrett ..... D23/261
- 5,882,782 A 3/1999 Tsubone
- 5,938,992 A 8/1999 Hamanaka et al.
- 5,972,254 A 10/1999 Sander
- D419,652 S \* 1/2000 Hall et al. .... D23/259

(Continued)

**FOREIGN PATENT DOCUMENTS**

WO PCT/US06/005731 2/2006

(Continued)

**OTHER PUBLICATIONS**

U.S. Appl. No. 60/548,693, filed Feb. 27, 2004, Pinchot.

(Continued)

*Primary Examiner*—Sandra Snapp  
*Assistant Examiner*—Patricia Palasik  
(74) *Attorney, Agent, or Firm*—Fay Sharpe LLP; Brian E. Turung

(57) **CLAIM**

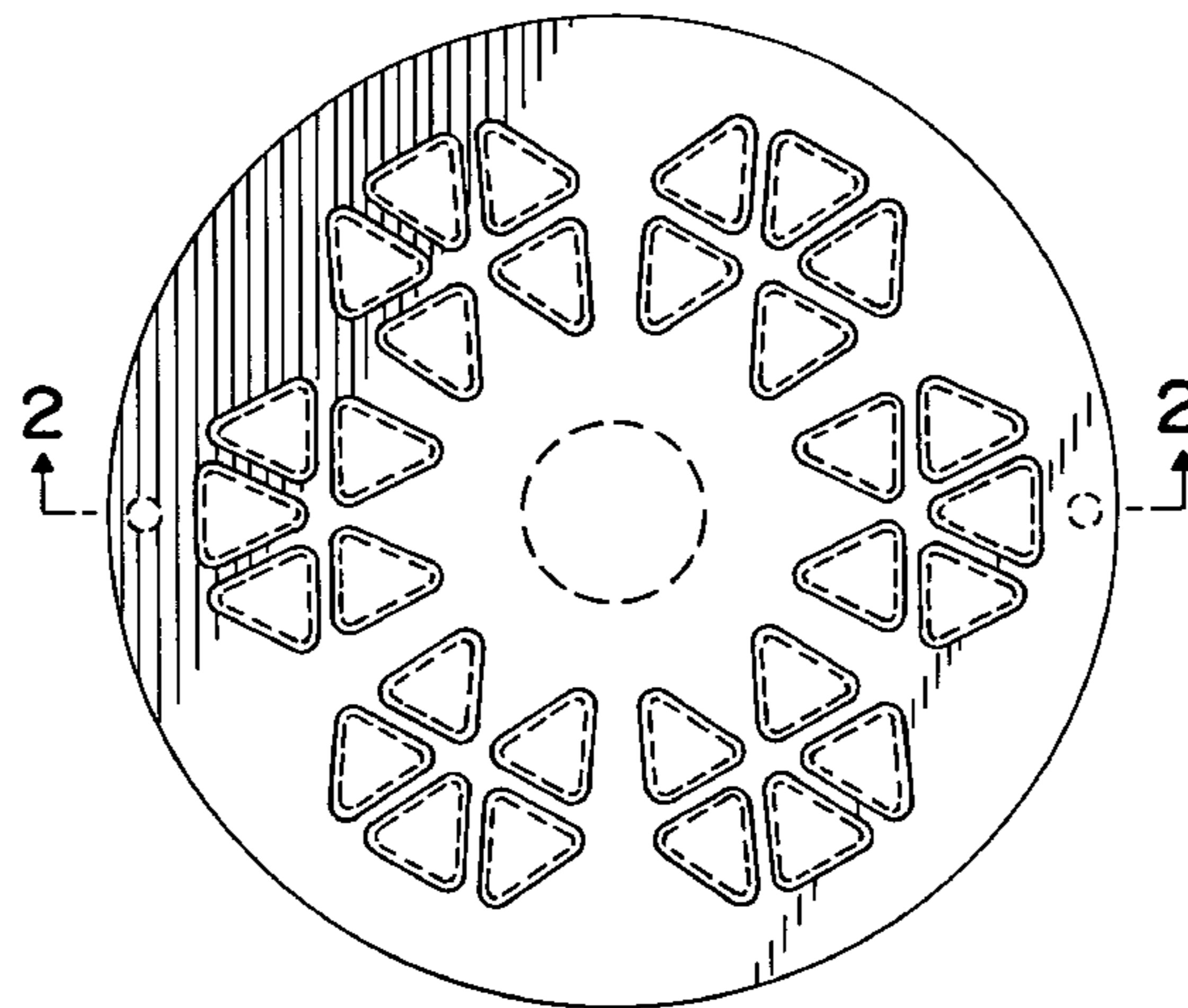
The ornamental design for an extruder plate for generally triangular extruder inserts, as shown and described.

**DESCRIPTION**

FIG. 1 is a top plan view of an extruder plate for generally triangular shaped extruder inserts showing my new design; and,

FIG. 2 is a cross-sectional view along line 2—2 of FIG. 1. The broken line showing of the extruder plate for generally triangular shaped extruder inserts is included for the purpose of illustrating portions of the extruder plate for generally triangular shaped extruder inserts and forms no part of the claimed design. The broken diagonal lines indicate the section portion.

**1 Claim, 1 Drawing Sheet**



U.S. PATENT DOCUMENTS

6,045,764 A 4/2000 Iizuka et al.  
 6,156,698 A 12/2000 Iida et al.  
 6,162,524 A 12/2000 Patchett et al.  
 6,206,675 B1 3/2001 Bevier  
 D442,612 S 5/2001 Pinchot  
 D444,487 S 7/2001 Pinchot  
 D446,794 S 8/2001 Pinchot  
 D450,732 S 11/2001 Pinchot  
 D452,257 S 12/2001 Pinchot  
 6,345,972 B1 \* 2/2002 Guillemette ..... 425/380  
 6,413,595 B1 \* 7/2002 Schirmer ..... 264/172.15  
 D463,851 S \* 10/2002 Eastman ..... D23/260  
 D469,116 S 1/2003 Pinchot  
 D469,117 S 1/2003 Pinchot  
 D469,452 S 1/2003 Pinchot  
 D469,453 S 1/2003 Pinchot  
 D469,454 S 1/2003 Pinchot  
 D470,869 S 2/2003 Pinchot  
 D470,870 S 2/2003 Pinchot  
 D472,252 S 3/2003 Pinchot  
 D485,286 S 1/2004 Pinchot  
 D494,198 S 8/2004 Pinchot  
 D496,377 S 9/2004 Pinchot  
 D497,376 S 10/2004 Pinchot  
 D523,452 S 6/2006 Pinchot  
 D531,197 S 10/2006 Pinchot  
 D534,562 S 1/2007 Pinchot  
 2001/0008642 A1 7/2001 Meyer  
 2004/0022886 A1 2/2004 Sagar

FOREIGN PATENT DOCUMENTS

WO PCT/US07/000300 1/2007

OTHER PUBLICATIONS

U.S. Appl. No. 11/062,220, filed Feb. 18, 2005, Pinchot.  
 U.S. Appl. No. 29/242,613, filed Nov. 10, 2005, Pinchot.  
 U.S. Appl. No. 29/242,779, filed Nov. 15, 2005, Pinchot.

U.S. Appl. No. 29/242,881, filed Nov. 15, 2005, Pinchot.  
 U.S. Appl. No. 29/263,182, filed Jul. 14, 2006, Pinchot.  
 U.S. Appl. No. 29/263,183, filed Jul. 14, 2006, Pinchot.  
 U.S. Appl. No. 29/263,184, filed Jul. 14, 2006, Pinchot.  
 U.S. Appl. No. 29/263,185, filed Jul. 14, 2006, Pinchot.  
 U.S. Appl. No. 29/263,364, filed Jul. 14, 2006, Pinchot.  
 U.S. Appl. No. 11/651,063, filed Jan. 8, 2007, Pinchot.  
 U.S. Appl. No. 29/272,847, filed Feb. 20, 2007, Pinchot.  
 U.S. Appl. No. 29/285,075, filed Mar. 21, 2007, Pinchot.  
 U.S. Appl. No. 29/285,076, filed Mar. 21, 2007, Pinchot.  
 U.S. Appl. No. 29/285,077, filed Mar. 21, 2007, Pinchot.  
 U.S. Appl. No. 29/285,078, filed Mar. 21, 2007, Pinchot.  
 U.S. Appl. No. 29/285,079, filed Mar. 21, 2007, Pinchot.  
 U.S. Appl. No. 29/285,080, filed Mar. 21, 2007, Pinchot.  
 U.S. Appl. No. 29/285,081, filed Mar. 21, 2007, Pinchot.  
 U.S. Appl. No. 29/285,082, filed Mar. 21, 2007, Pinchot.  
 U.S. Appl. No. 29/285,083, filed Mar. 21, 2007, Pinchot.  
 U.S. Appl. No. 29/285,084, filed Mar. 21, 2007, Pinchot.  
 U.S. Appl. No. 29/295,092, filed Mar. 21, 2007, Pinchot.  
 U.S. Appl. No. 29/285,094, filed Mar. 21, 2007, Pinchot.  
 U.S. Appl. No. 29/285,095, filed Mar. 21, 2007, Pinchot.  
 U.S. Appl. No. 29/285,096, filed Mar. 21, 2007, Pinchot.  
 U.S. Appl. No. 29/285,098, filed Mar. 21, 2007, Pinchot.  
 U.S. Appl. No. 29/285,099, filed Mar. 21, 2007, Pinchot.  
 U.S. Appl. No. 29/285,100, filed Mar. 21, 2007, Pinchot.  
 U.S. Appl. No. 29/285,108, filed Mar. 21, 2007, Pinchot.  
 U.S. Appl. No. 29/285,101, filed Mar. 21, 2007, Pinchot.  
 U.S. Appl. No. 29/285,109, filed Mar. 21, 2007, Pinchot.  
 U.S. Appl. No. 29/285,110, filed Mar. 21, 2007, Pinchot.  
 U.S. Appl. No. 29/285,111, filed Mar. 21, 2007, Pinchot.  
 U.S. Appl. No. 29/285,112, filed Mar. 21, 2007, Pinchot.  
 U.S. Appl. No. 29/285,115, filed Mar. 21, 2007, Pinchot.  
 U.S. Appl. No. 29/285,116, filed Mar. 21, 2007, Pinchot.  
 U.S. Appl. No. 29/285,127, filed Mar. 21, 2007, Pinchot.  
 U.S. Appl. No. 29/285,128, filed Mar. 21, 2007, Pinchot.  
 U.S. Appl. No. 29/285,130, filed Mar. 21, 2007, Pinchot.  
 U.S. Appl. No. 29/285,131, filed Mar. 21, 2007, Pinchot.

\* cited by examiner

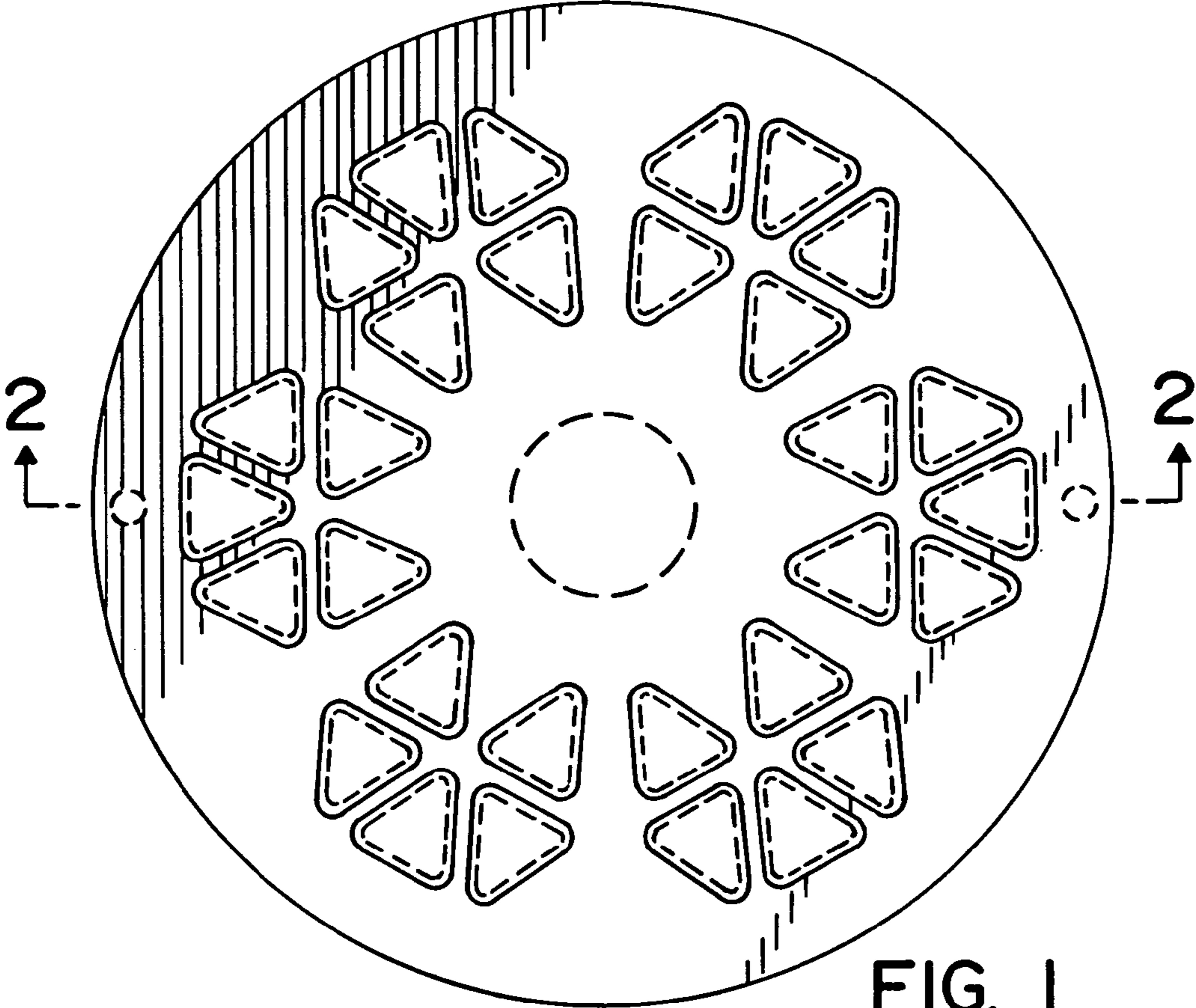


FIG. 2