



US00D566144S

(12) **United States Design Patent** (10) **Patent No.:** **US D566,144 S**
Schmitz et al. (45) **Date of Patent:** **** Apr. 8, 2008**

(54) **STATIONARY PEG FOR A COAL PULVERIZER**
(75) Inventors: **William Schmitz**, Clymer, NY (US);
Craig A. Penterson, Sutton, MA (US);
Daniel P. Smith, Spencer, MA (US)
(73) Assignee: **Riley Power, Inc.**, Worcester, MA (US)
(**) Term: **14 Years**
(21) Appl. No.: **29/291,873**
(22) Filed: **Sep. 19, 2007**

Related U.S. Application Data

(63) Continuation of application No. 11/011,884, filed on Dec. 14, 2004, now Pat. No. 7,309,037.

(51) **LOC (8) Cl.** **15-09**
(52) **U.S. Cl.** **D15/138**
(58) **Field of Classification Search** D15/126,
D15/138, 139; 209/139.1; 241/52, 56, 61,
241/80, 82, 188.1, 190, 194, 197, 300; 251/214,
251/305; 277/399; 384/147, 207
See application file for complete search history.

(56) **References Cited**

U.S. PATENT DOCUMENTS

1,513,279 A * 10/1924 Sawford 241/56
2,625,332 A 1/1953 Rogers et al.
2,628,038 A 2/1953 Rogers et al.
3,612,420 A * 10/1971 Hull 241/197
4,340,325 A * 7/1982 Gowanlock D15/139
5,348,272 A 9/1994 Lukstas et al.
6,132,135 A * 10/2000 Gerber et al. 464/179

6,443,376 B1 9/2002 Huang et al.
7,172,146 B2 * 2/2007 Schmitz et al. 241/300
2005/0103909 A1 * 5/2005 Lin et al. 241/89.3
2006/0124791 A1 * 6/2006 Schmitz et al. 241/188.1
2006/0124792 A1 * 6/2006 Schmitz et al. 241/188.1
2006/0226270 A1 * 10/2006 Kammerer et al. 241/197

* cited by examiner

Primary Examiner—Antoine D. Davis

Assistant Examiner—Patricia Palasik

(74) *Attorney, Agent, or Firm*—Edwards Angell Palmer & Dodge, LLP

(57) **CLAIM**

The ornamental design for a stationary peg for a coal pulverizer, as shown and described.

DESCRIPTION

FIG. 1 is a perspective view of a stationary peg for a coal pulverizer according to a first representative embodiment of the present invention.

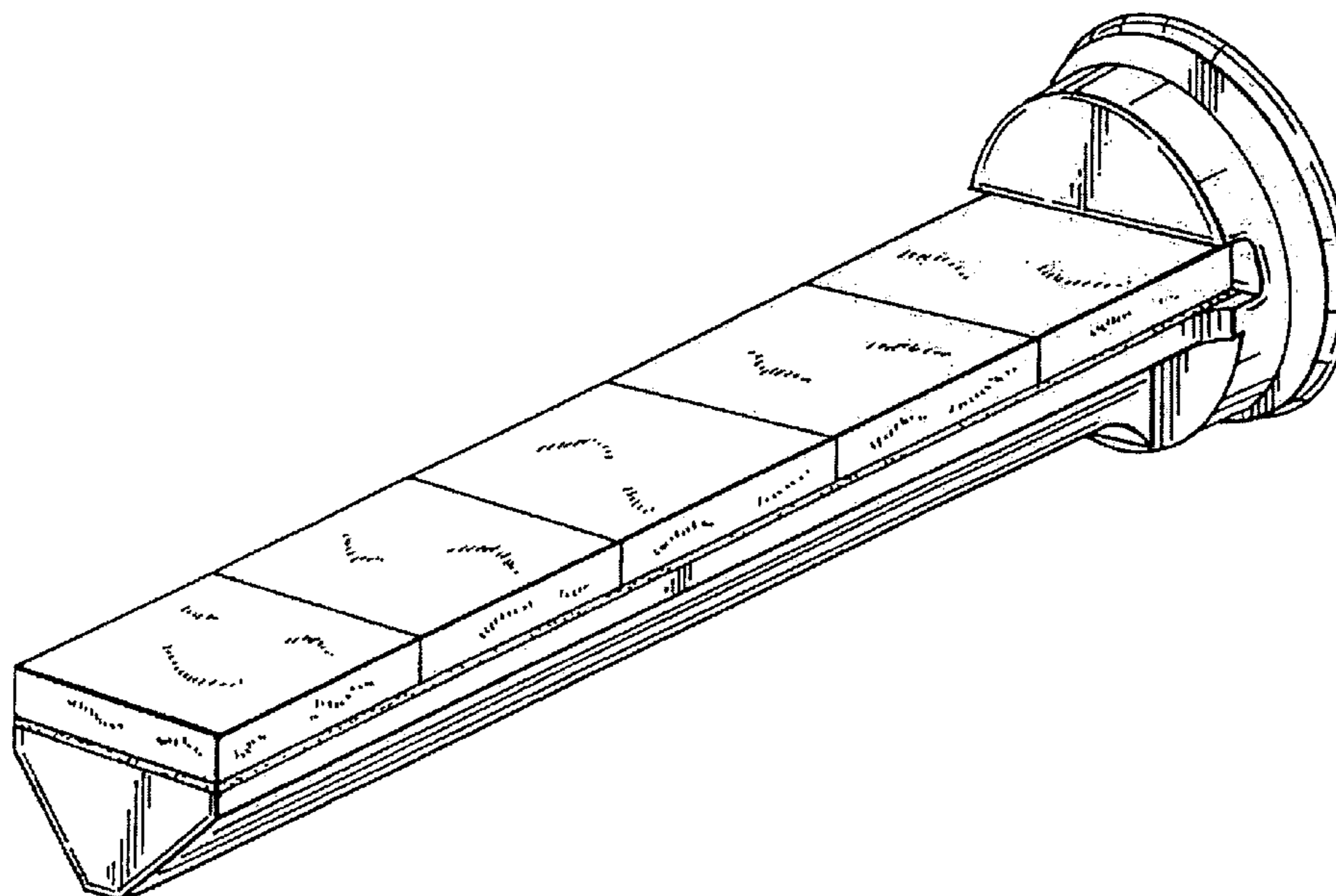
FIG. 2 is a top plan view of the stationary peg for a coal pulverizer shown in FIG. 1.

FIG. 3 is a side elevation view of the stationary peg for a coal pulverizer shown in FIG. 1; and,

FIG. 4 is a perspective view of a portion of the interior of the grinding section of a coal pulverizer, showing the stationary peg for a coal pulverizer shown in FIG. 1 in place within the grinding section.

The broken line showing is included for the purpose of illustrating environment and forms no part of the claimed design.

1 Claim, 3 Drawing Sheets



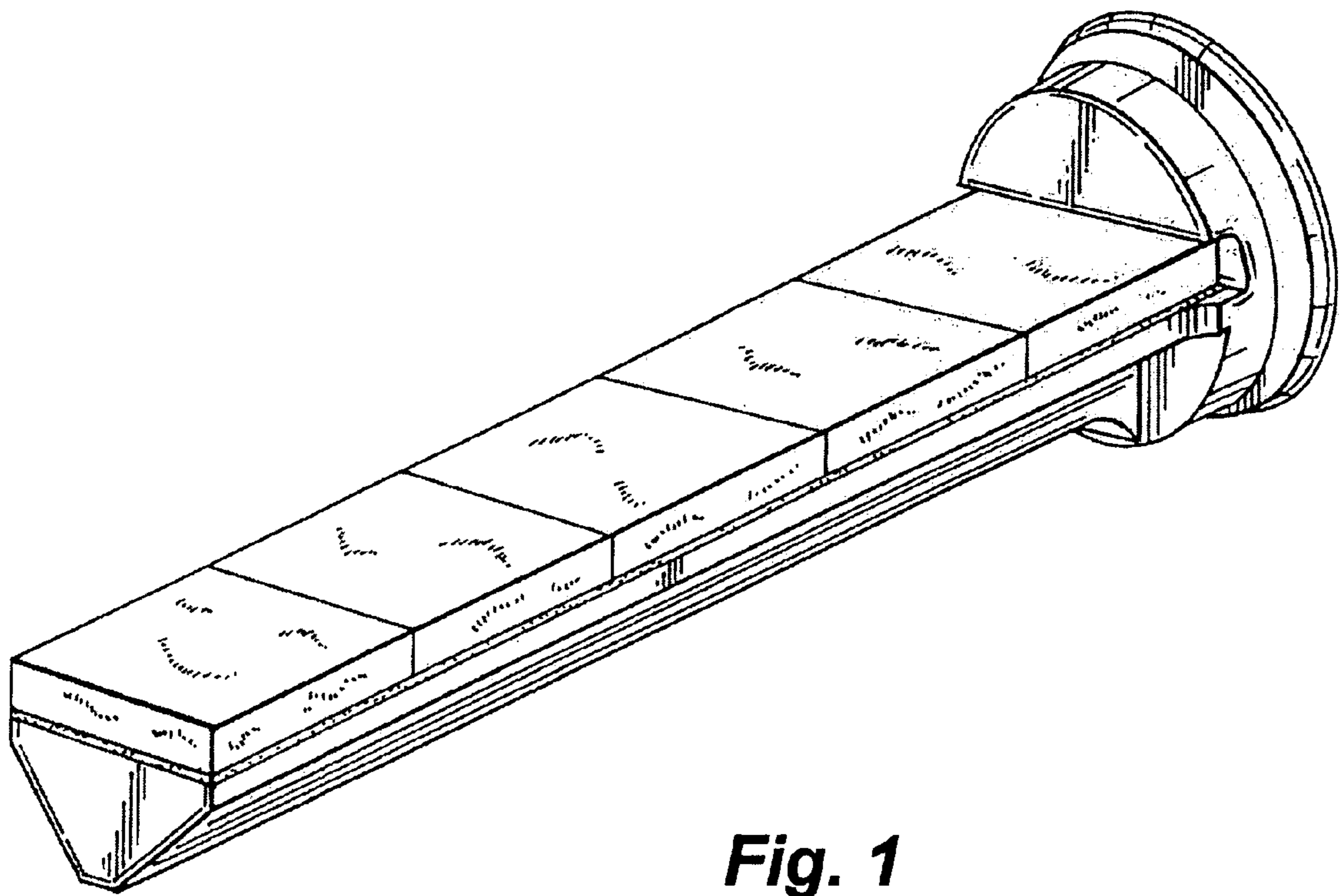


Fig. 1

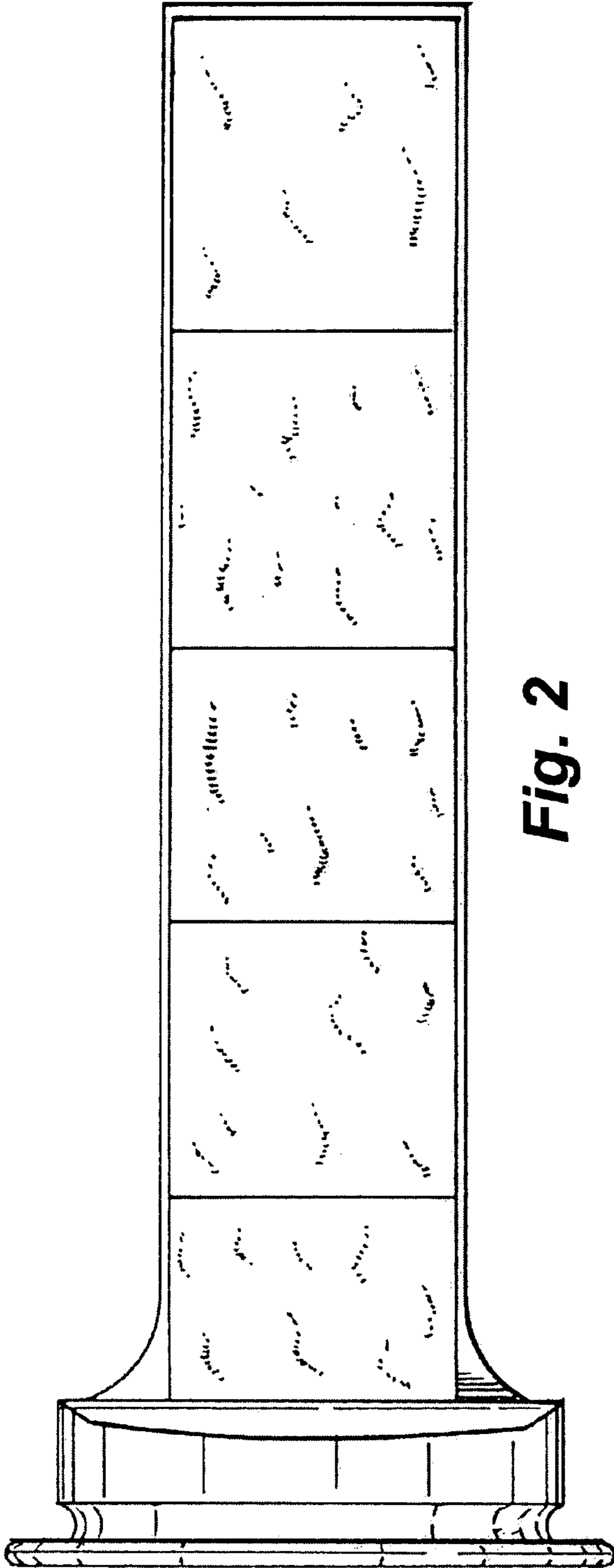


Fig. 2

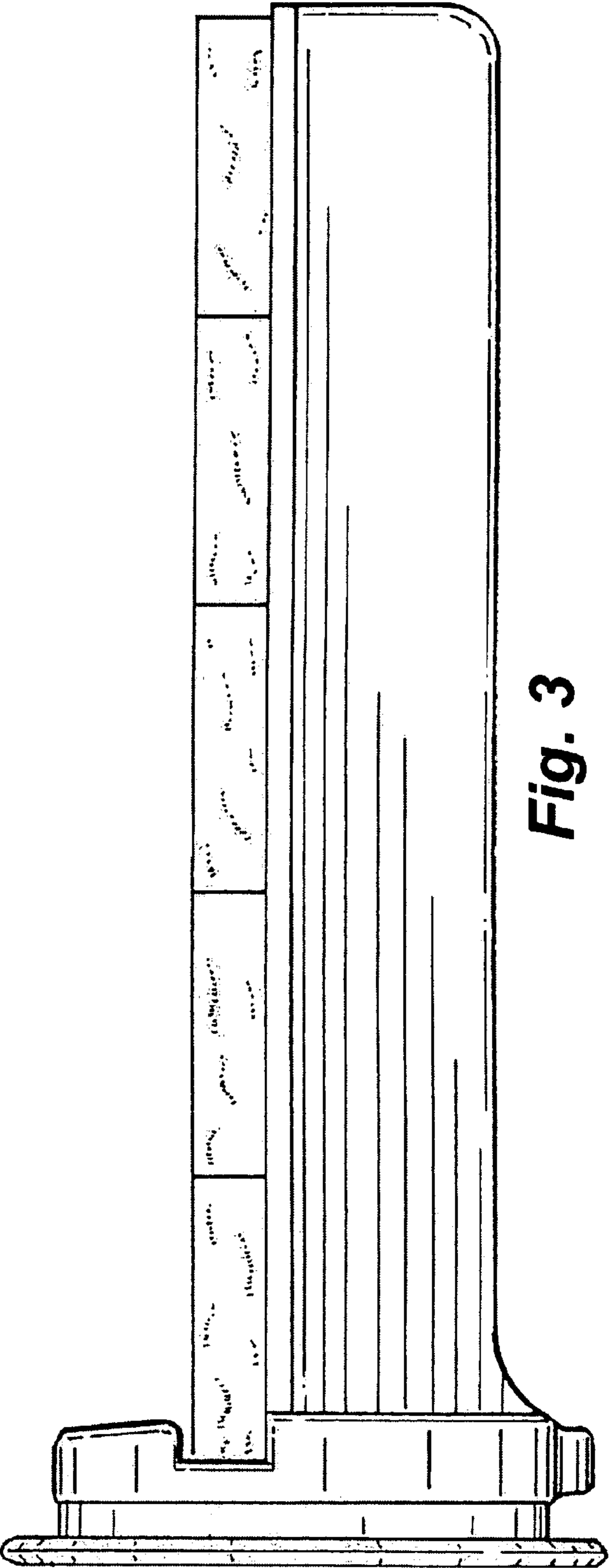


Fig. 3

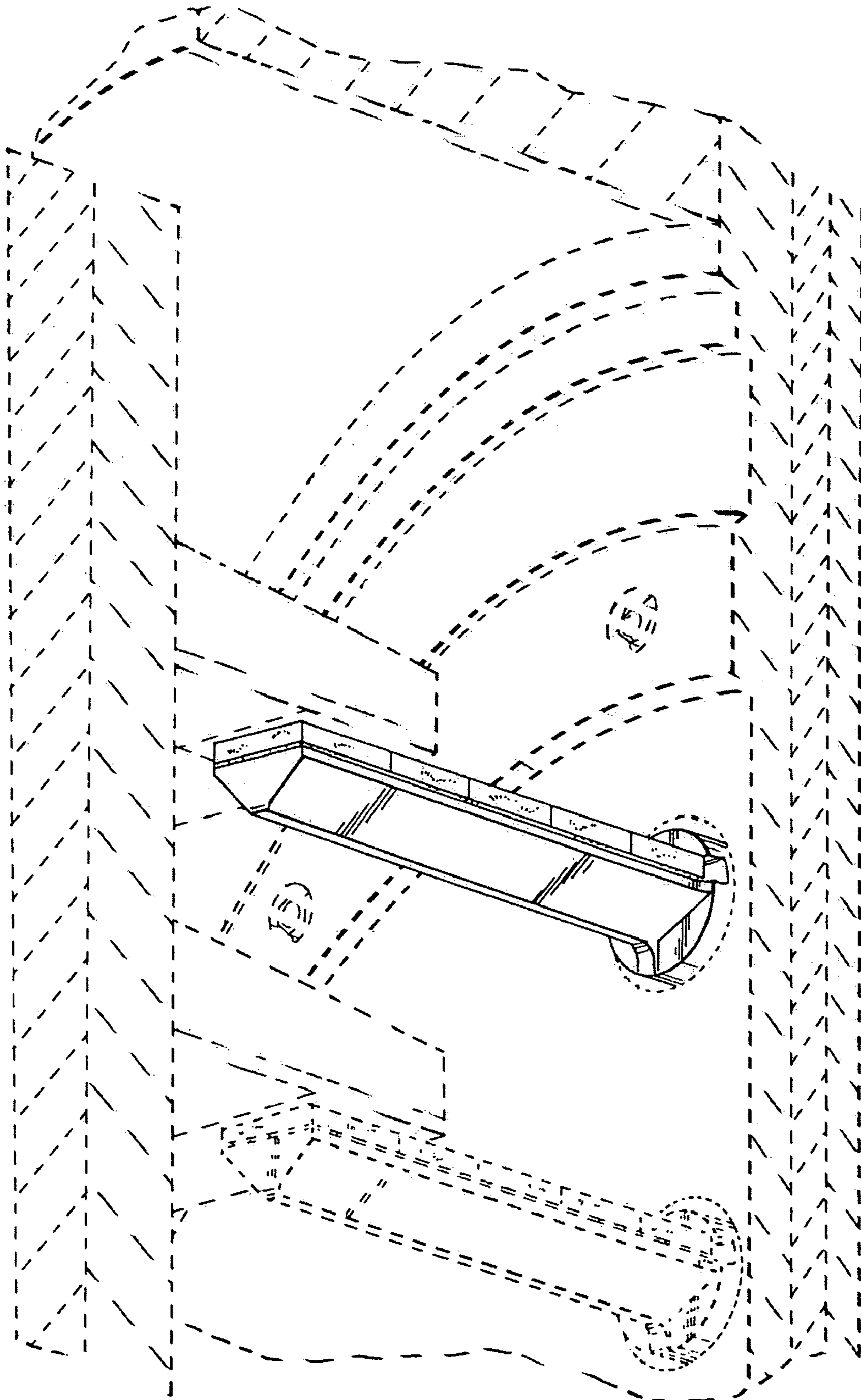


Fig. 4