



US00D566142S

(12) **United States Design Patent**
Gavins

(10) **Patent No.:** **US D566,142 S**

(45) **Date of Patent:** **** Apr. 8, 2008**

(54) **MITRE SAW**

(75) **Inventor:** **Matthew James Gavins**, Sheffield
(GB)

(73) **Assignee:** **Evolution Power Tools Limited** (GB)

(**) **Term:** **14 Years**

(21) **Appl. No.:** **29/280,261**

(22) **Filed:** **May 22, 2007**

(51) **LOC (8) Cl.** **15-09**

(52) **U.S. Cl.** **D15/133**

(58) **Field of Classification Search** D8/67,
D8/69; D15/133; 30/377-378, 388-391,
30/517-525; 83/471.2-471.3, 477.1-477.2
See application file for complete search history.

(56) **References Cited**

U.S. PATENT DOCUMENTS

D336,652 S *	6/1993	Arehart	D15/133
D478,103 S *	8/2003	Kani et al.	D15/133
D513,271 S *	12/2005	Ozawa et al.	D15/133
D531,195 S *	10/2006	Waldron	D15/133

D535,670 S *	1/2007	Firth	D15/133
D547,338 S *	7/2007	Firth	D15/133
2006/0000331 A1 *	1/2006	Ozawa et al.	83/471.3
2007/0074611 A1 *	4/2007	Hu	83/471.2

* cited by examiner

Primary Examiner—Antoine D. Davis

Assistant Examiner—Patricia Palasik

(74) *Attorney, Agent, or Firm*—Trexler, Bushnell,
Giangiorgi, Blackstone & Marr, Ltd.

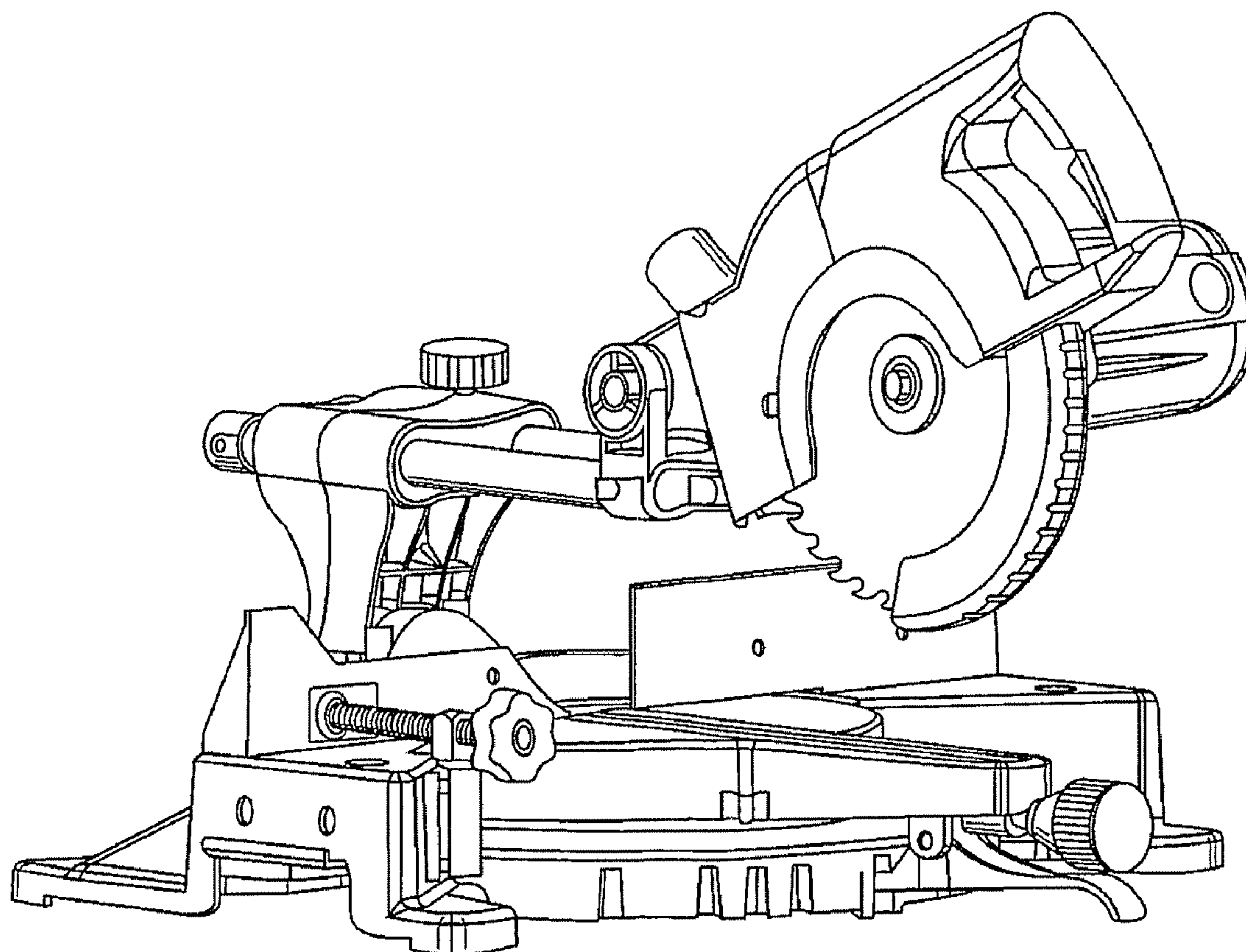
(57) **CLAIM**

The ornamental design for a mitre saw, as shown and described.

DESCRIPTION

FIG. 1 is an elevation from one lateral side;
FIG. 2 is an elevation from the other lateral side;
FIG. 3 is a front view of FIG. 1;
FIG. 4 is a back view of FIG. 1;
FIG. 5 is a top plan view of the article of FIGS. 1 to 4; and,
FIG. 6 is a perspective view of the article of FIGS. 1 to 4.

1 Claim, 6 Drawing Sheets



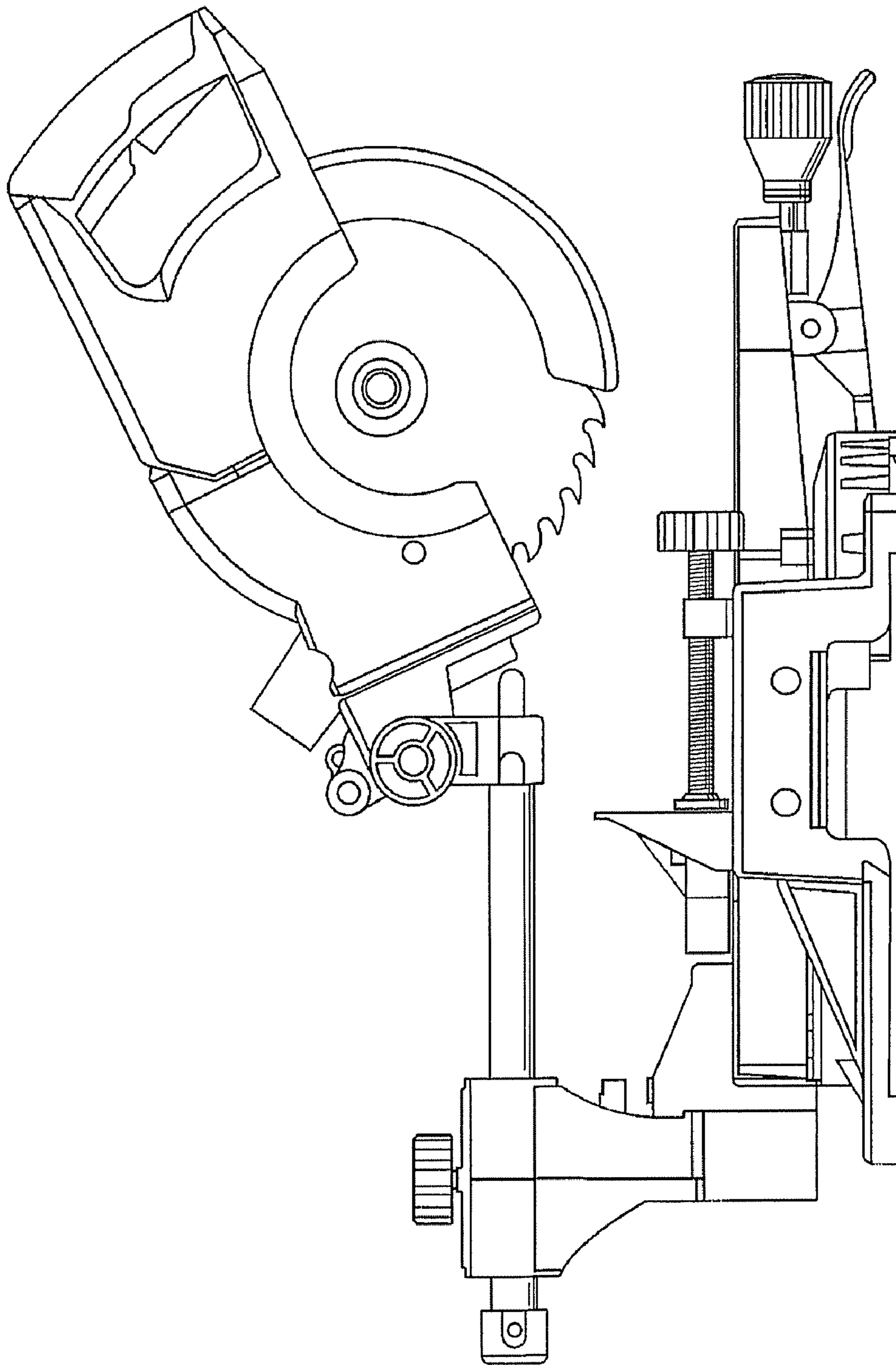


Fig. 1

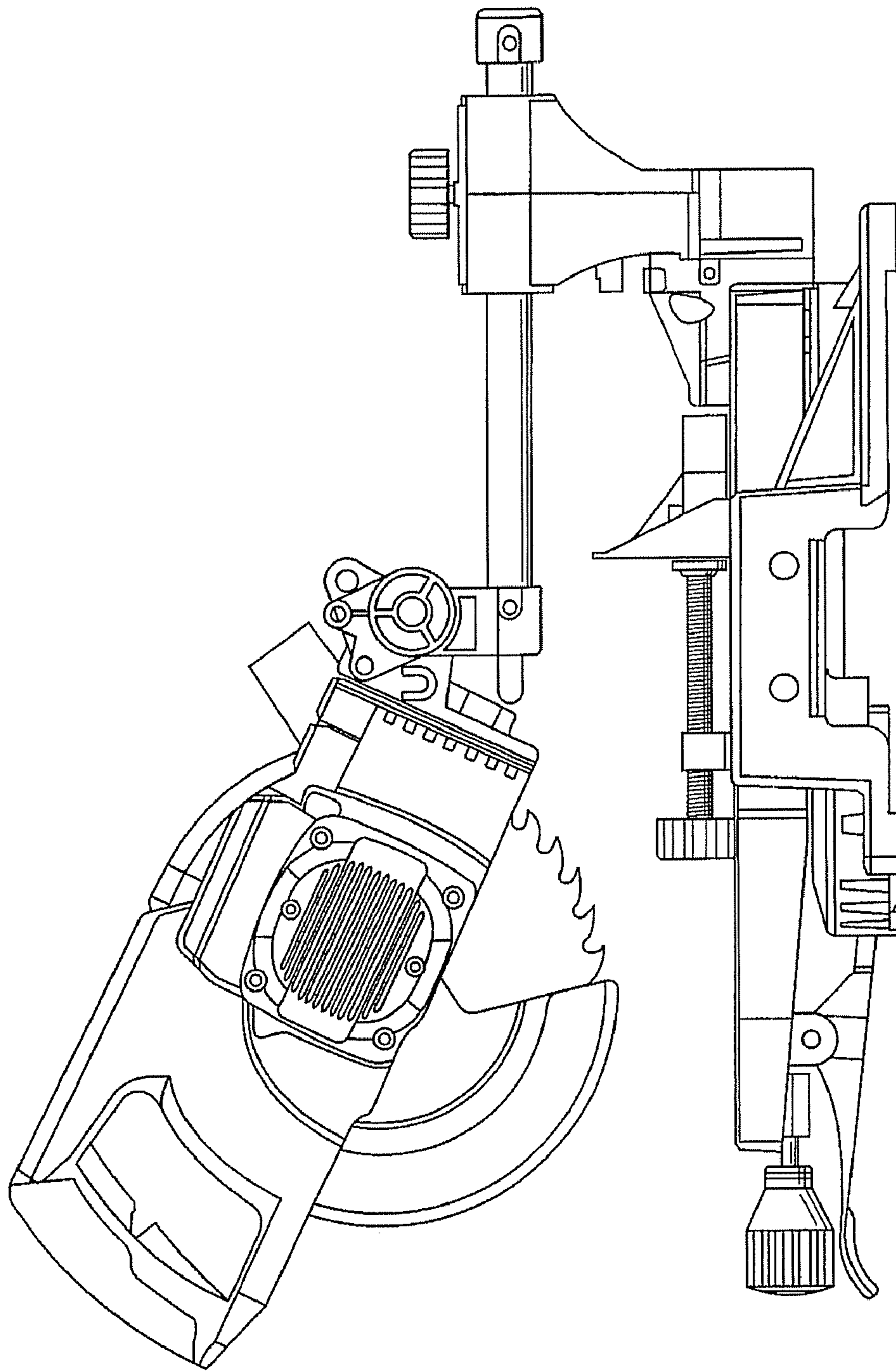


Fig. 2

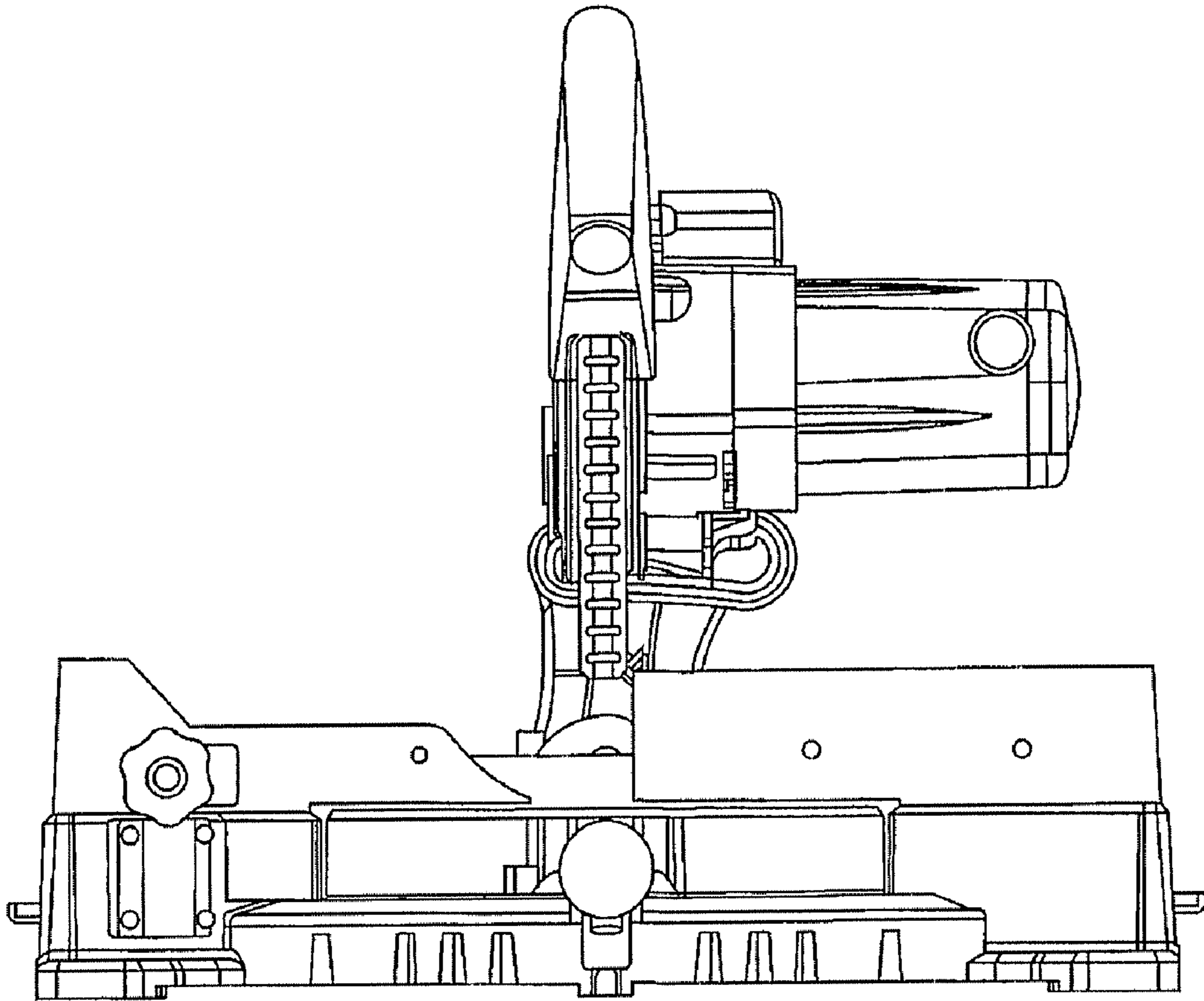


Fig. 3

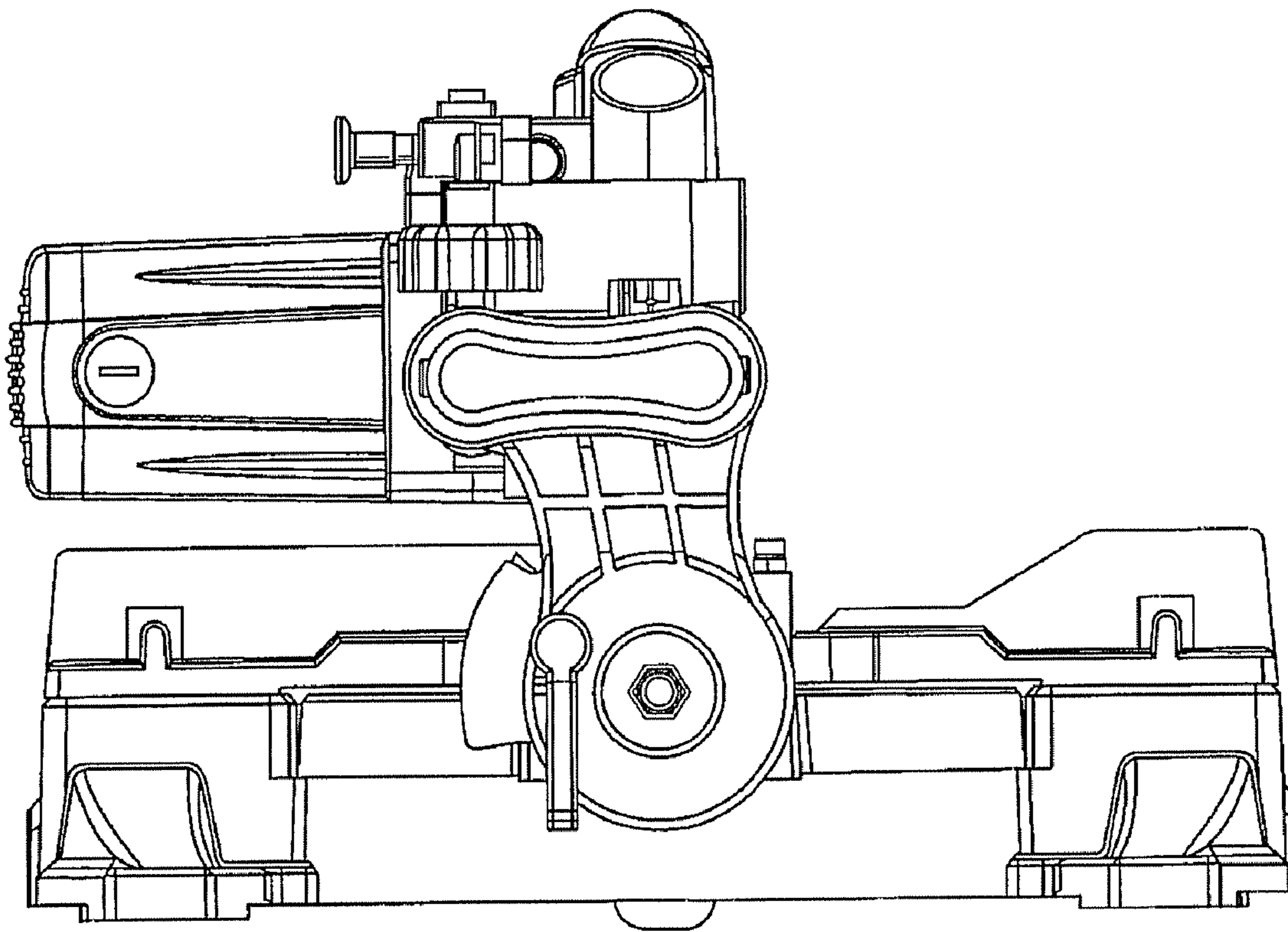


Fig. 4

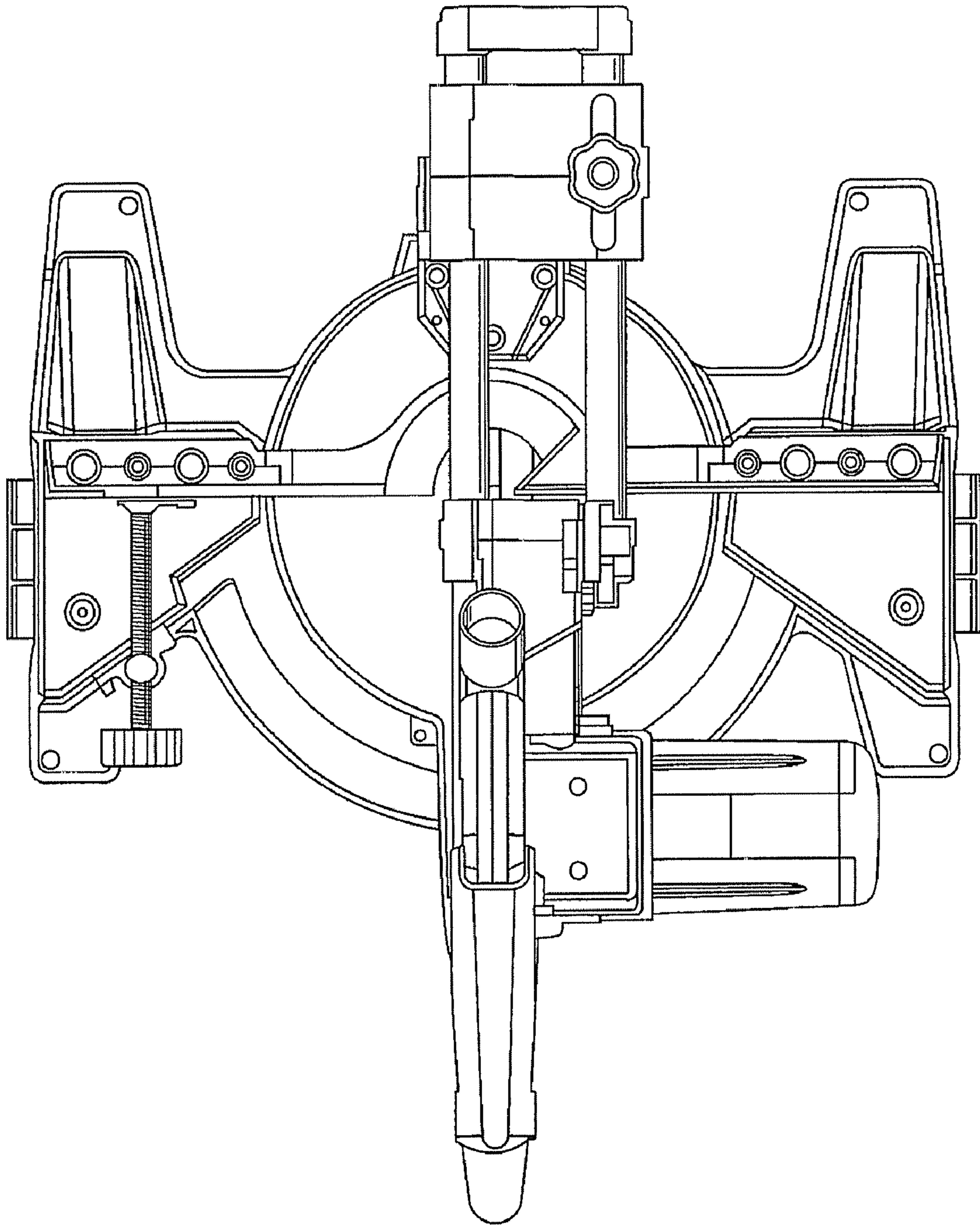


Fig. 5

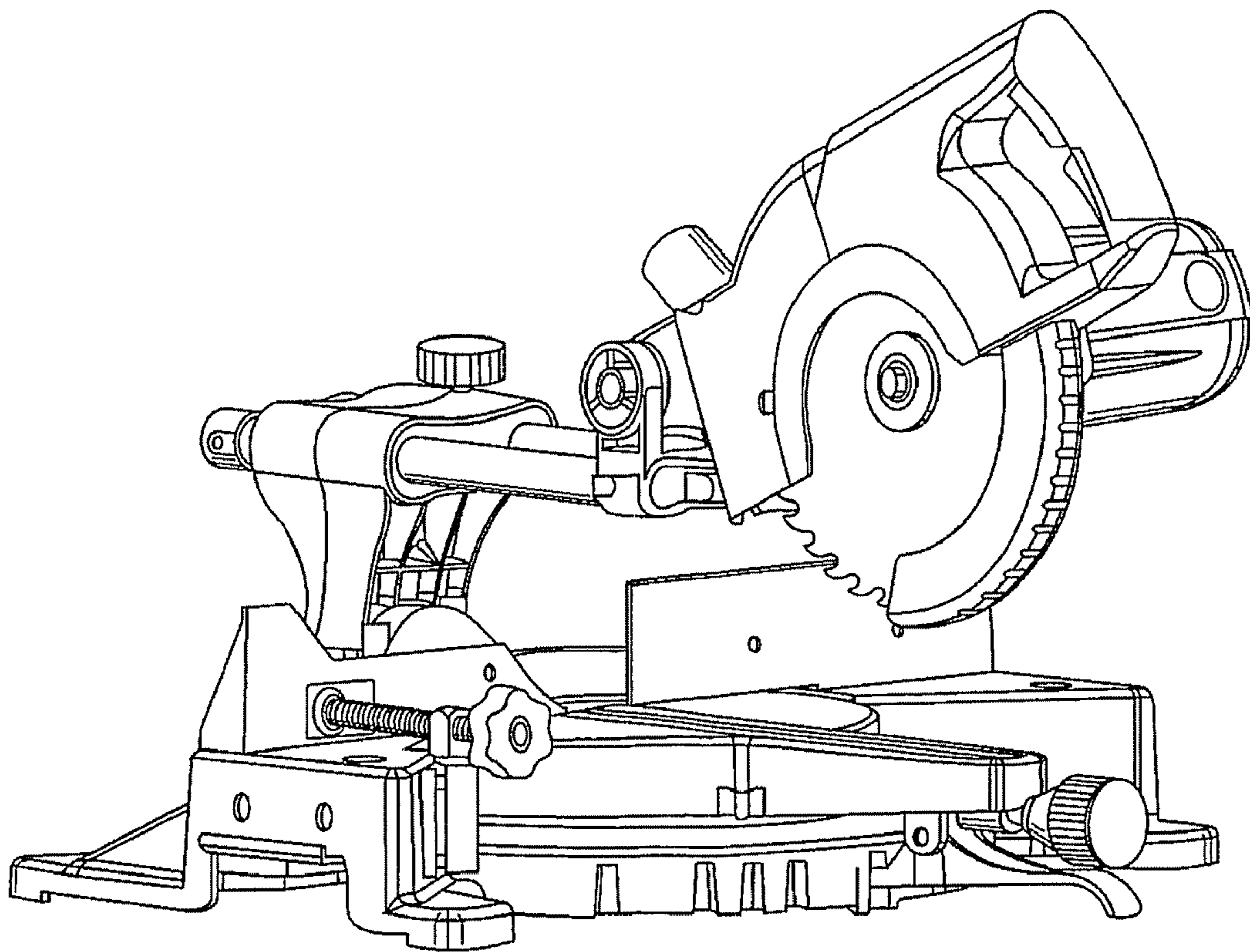


Fig. 6