

US00D566141S

(12) **United States Design Patent**  
**Park**

(10) **Patent No.:** **US D566,141 S**

(45) **Date of Patent:** **\*\* Apr. 8, 2008**

(54) **ABRASIVE AGENT**

(76) **Inventor:** **Rin-soon Park**, Yongsang Apartment  
1-401, 150-3, Wonjong-Dong,  
Ojeong-Gu, Bucheon-si, Gyeonggi-do  
(KR)

(\*\*) **Term:** **14 Years**

(21) **Appl. No.:** **29/274,449**

(22) **Filed:** **Apr. 25, 2007**

(30) **Foreign Application Priority Data**

Feb. 23, 2007 (KR) ..... 30-2007-0008209

(51) **LOC (8) Cl.** ..... **15-09**

(52) **U.S. Cl.** ..... **D15/126**

(58) **Field of Classification Search** ..... D8/70;  
D15/138, 139; 83/589, 863, 676; 451/548-551  
See application file for complete search history.

(56) **References Cited**

**U.S. PATENT DOCUMENTS**

- 2,907,146 A \* 10/1959 Dyar ..... D15/126
- 5,607,346 A \* 3/1997 Wilson et al. .... 451/548
- 5,782,682 A \* 7/1998 Han et al. .... 451/548

- 6,213,856 B1 \* 4/2001 Cho et al. .... 451/548
- D494,196 S \* 8/2004 Jeong ..... D15/126
- 6,994,614 B2 \* 2/2006 Takemura et al. .... 451/548

\* cited by examiner

*Primary Examiner*—Antoine D. Davis

*Assistant Examiner*—Patricia Palasik

(74) *Attorney, Agent, or Firm*—McKenna Long & Aldridge  
LLP

(57) **CLAIM**

The ornamental design for an abrasive segment, as shown and described.

**DESCRIPTION**

FIG. 1 is a perspective view of the abrasive segment of the present invention;

FIG. 2 is a front elevation view thereof;

FIG. 3 is a rear elevation view thereof;

FIG. 4 is a left side elevation view thereof;

FIG. 5 is a right side elevation view thereof;

FIG. 6 is a top plan view thereof; and,

FIG. 7 is a bottom plan view thereof.

**1 Claim, 7 Drawing Sheets**

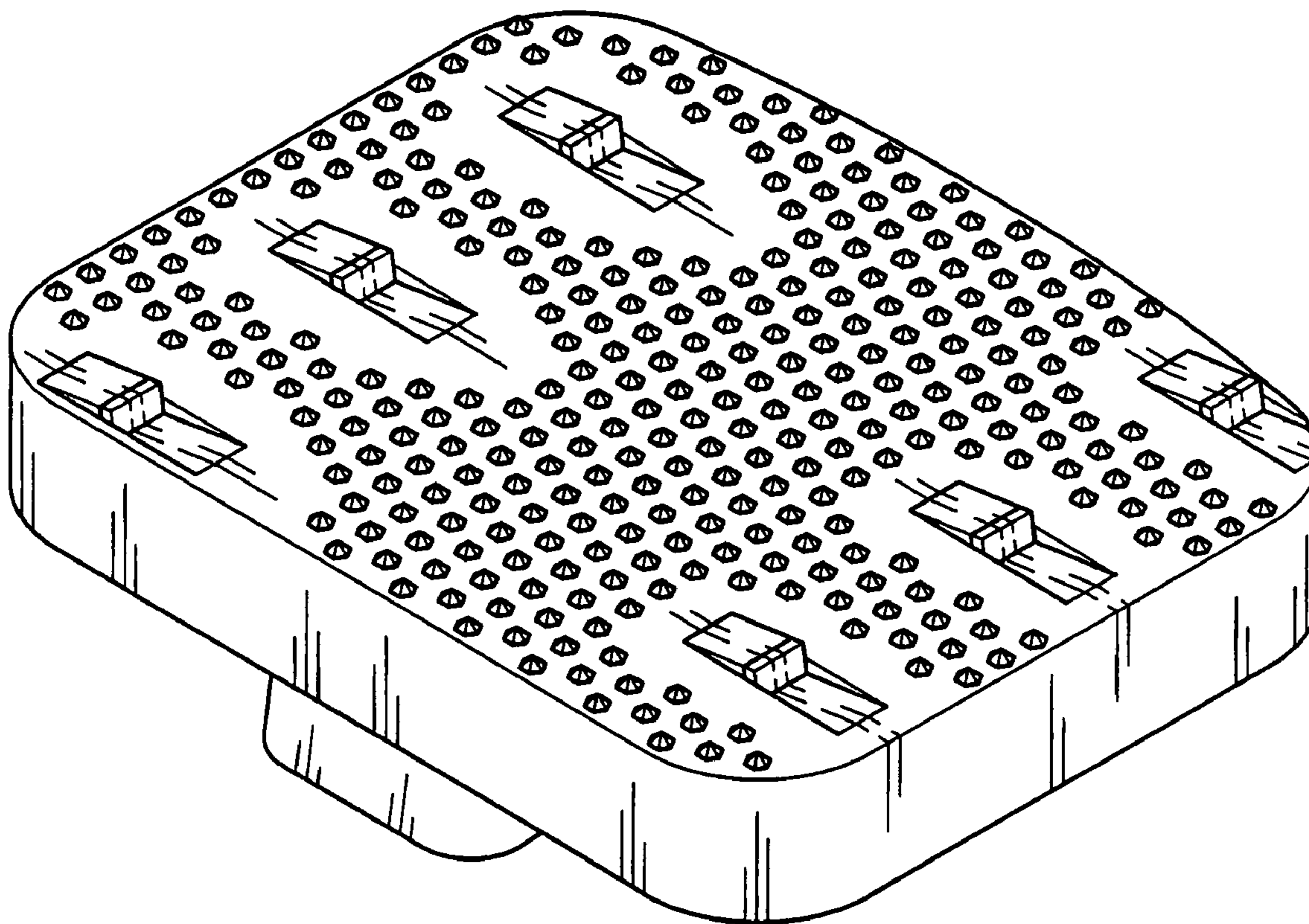
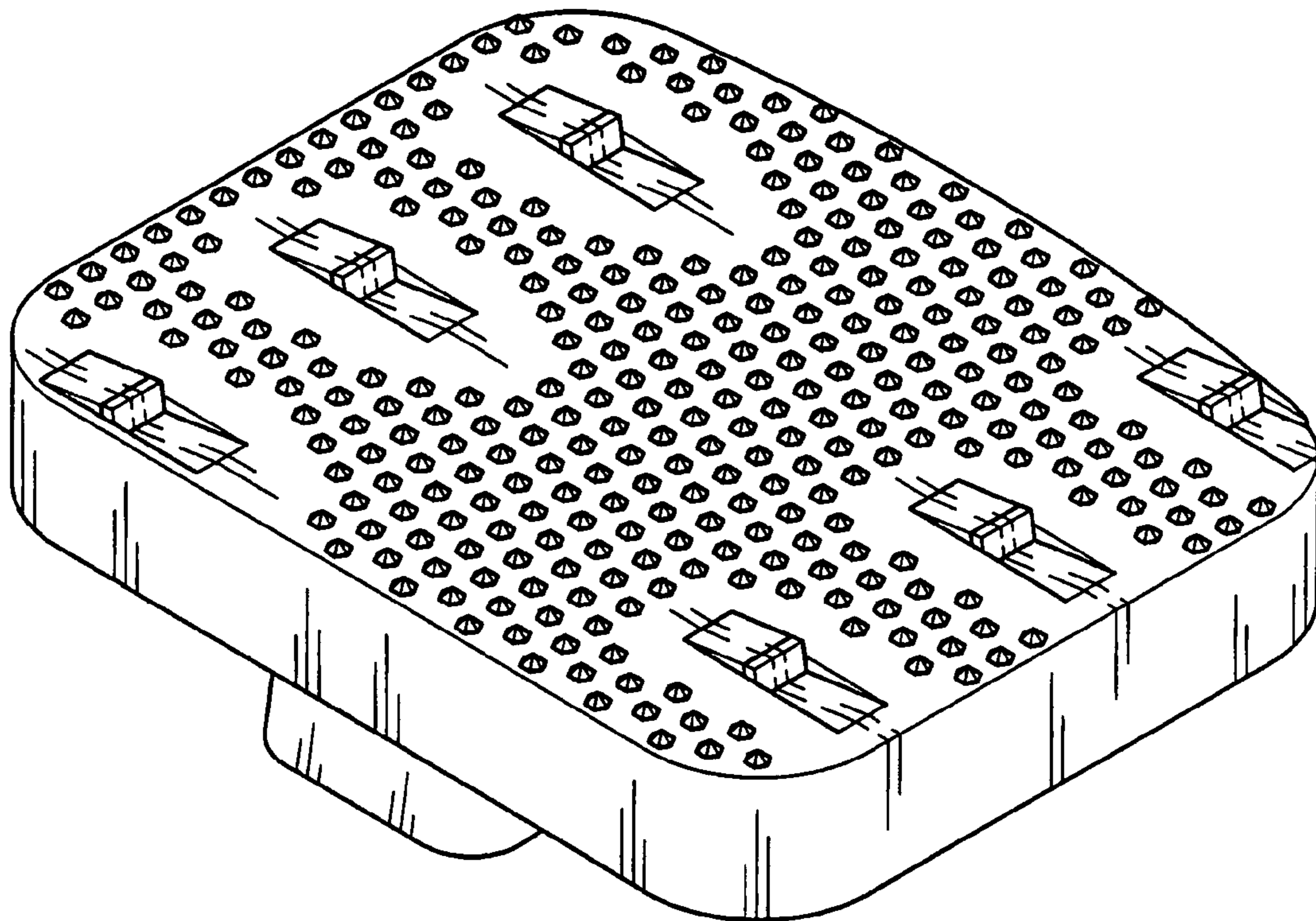
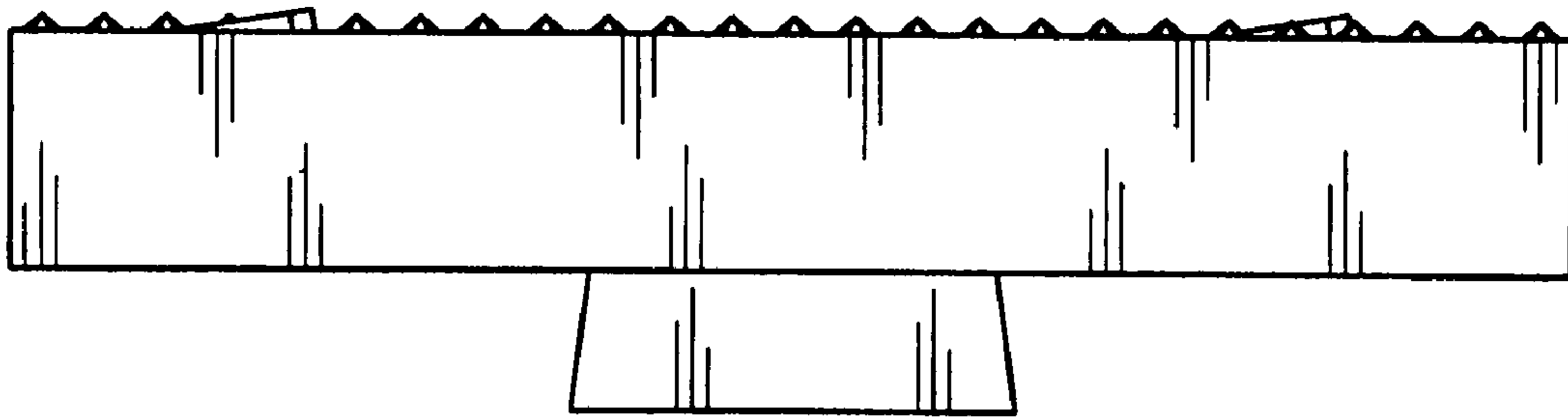


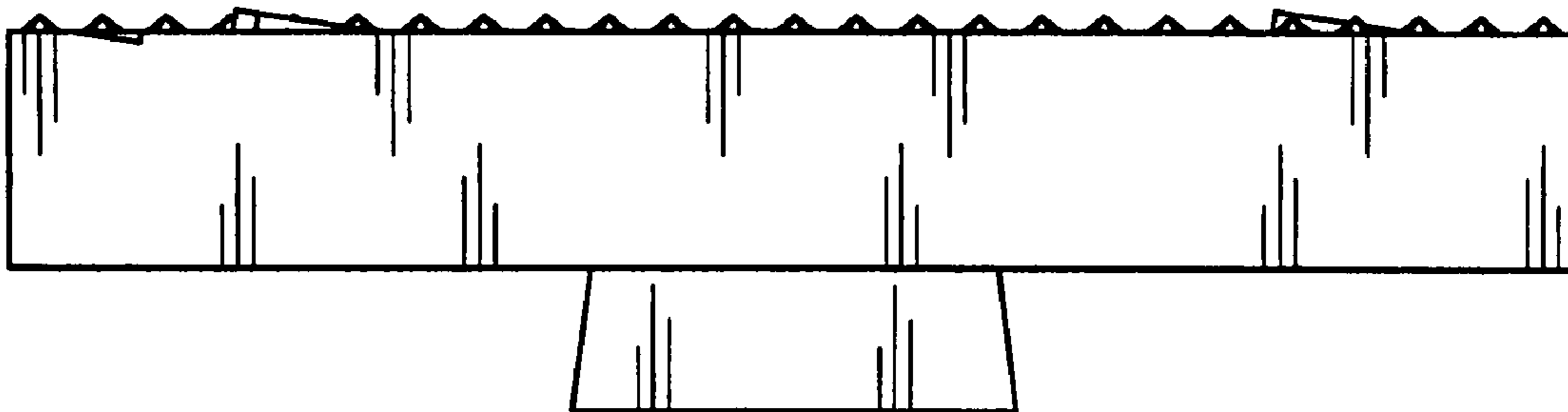
Fig. 1



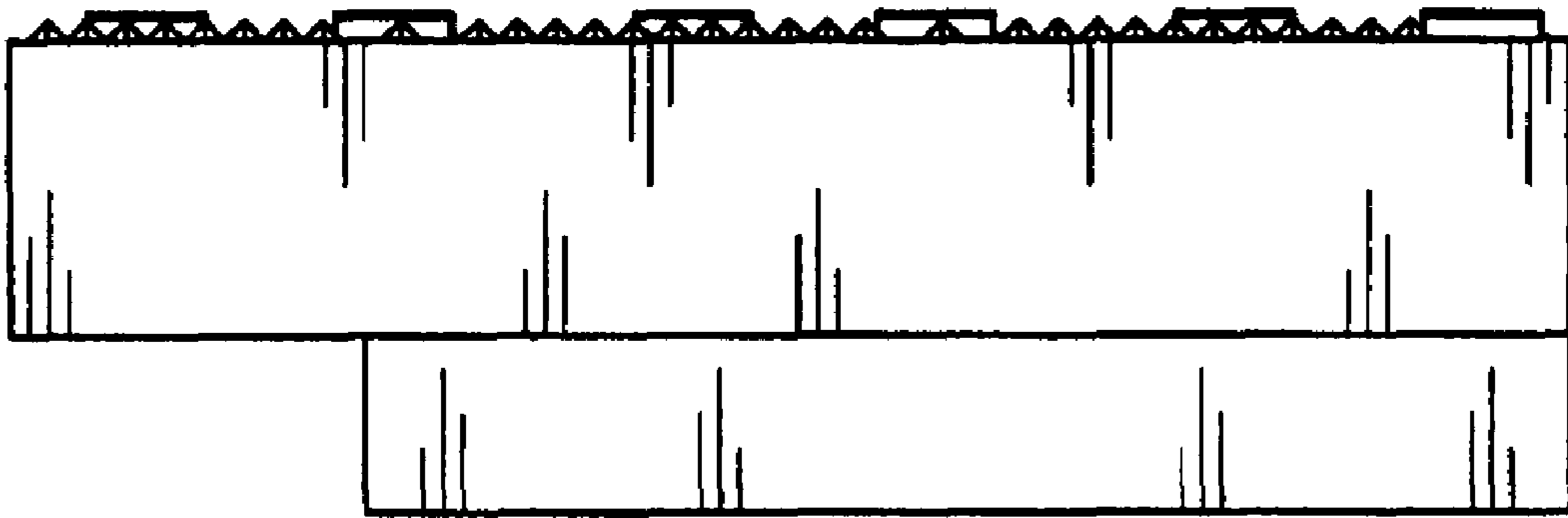
**Fig. 2**



**Fig. 3**



**Fig. 4**



**Fig. 5**



Fig. 6

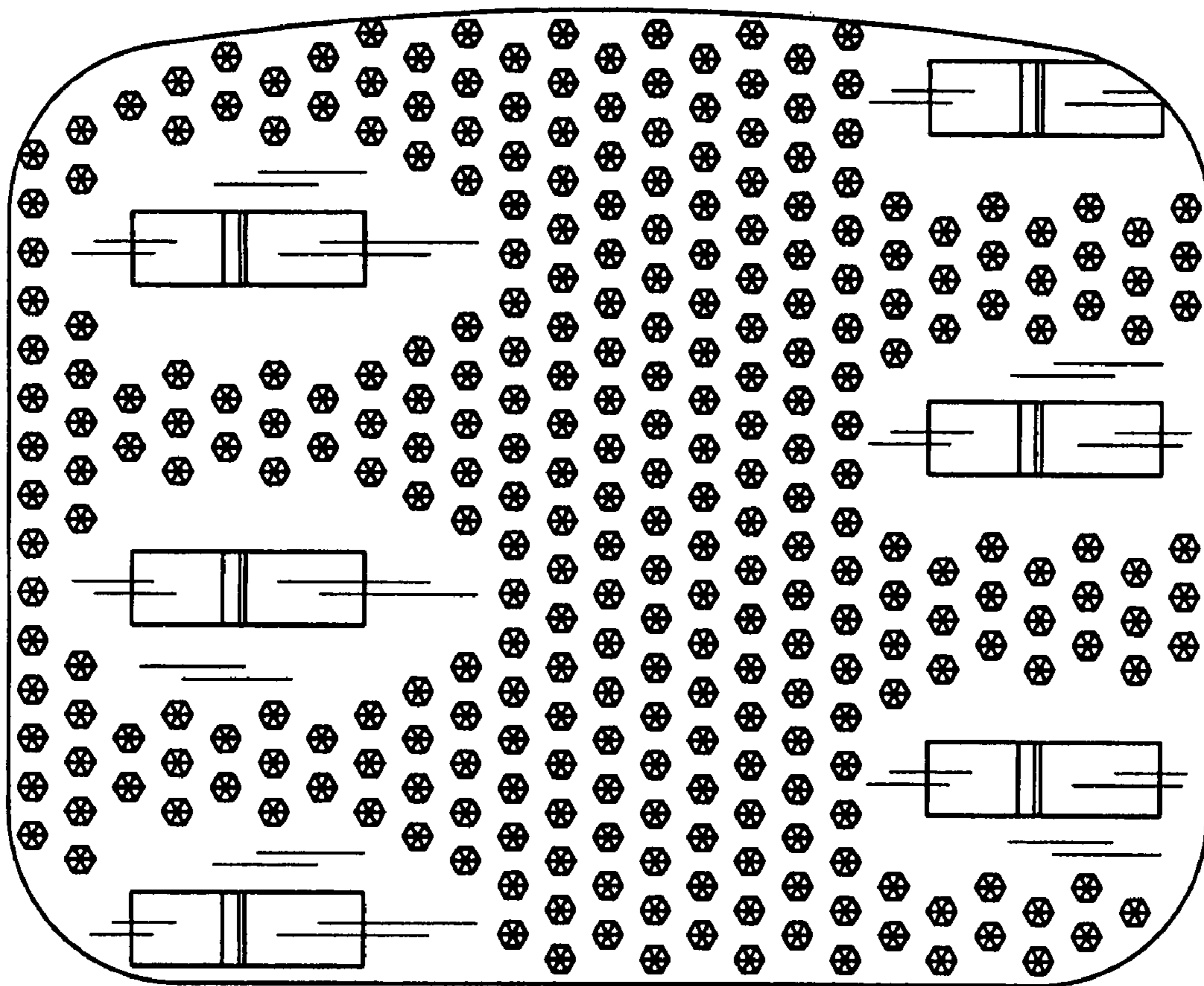


Fig. 7

