



US00D566140S

(12) **United States Design Patent**
Ikeda

(10) **Patent No.:** **US D566,140 S**

(45) **Date of Patent:** **** Apr. 8, 2008**

(54) **HANDLE FOR REFRIGERATOR**

(75) Inventor: **Yasuhisa Ikeda**, Osaka (JP)

(73) Assignee: **Sanyo Electric Co., Ltd.**, Osaka (JP)

(**) Term: **14 Years**

(21) Appl. No.: **29/287,371**

(22) Filed: **Jul. 30, 2007**

(30) **Foreign Application Priority Data**

Jan. 30, 2007 (JP) 2007-001701

(51) **LOC (8) Cl.** **15-07**

(52) **U.S. Cl.** **D15/89; D15/79**

(58) **Field of Classification Search** D15/79-81,
D15/83-89, 91; D8/300, 301, 310, 313,
D8/314, 316, 317; 62/3.6, 125, 126; 312/116,
312/138.1, 236, 405, 406; D6/509
See application file for complete search history.

(56) **References Cited**

U.S. PATENT DOCUMENTS

- D248,624 S * 7/1978 Spellier D8/313
- D342,203 S * 12/1993 Lougee D8/313
- D385,474 S * 10/1997 Rechberg D8/313
- D391,137 S * 2/1998 Moebius D8/313
- D404,283 S * 1/1999 Schwartz D8/313
- D441,576 S * 5/2001 Foster D6/509
- D455,161 S * 4/2002 Choi D15/89
- D504,902 S * 5/2005 Tunzi D15/91
- D508,197 S * 8/2005 Baldwin et al. D8/313

- D510,012 S * 9/2005 Woods D8/310
- D510,252 S * 10/2005 Larson D8/313
- D521,536 S * 5/2006 Reese et al. D15/89
- D530,181 S * 10/2006 Straka et al. D8/301

* cited by examiner

Primary Examiner—Mitchell Siegel

Assistant Examiner—Shanda C. Hill

(74) *Attorney, Agent, or Firm*—Rabin & Berdo, PC

(57) **CLAIM**

The ornamental design for a handle for refrigerator, as shown and described.

DESCRIPTION

FIG. 1 is a perspective view of a handle for refrigerator showing my new design, shown in condition of use;

FIG. 2 is a front elevation view thereof;

FIG. 3 is a rear elevation view thereof;

FIG. 4 is a top plan view thereof;

FIG. 5 is a bottom plan view thereof;

FIG. 6 is a right side view thereof;

FIG. 7 is a left side view thereof; and,

FIG. 8 is an enlarged perspective view of the handle for refrigerator.

The broken lines shown in the drawing disclosure are for illustrative purposes only and form no part of the claimed design.

1 Claim, 3 Drawing Sheets

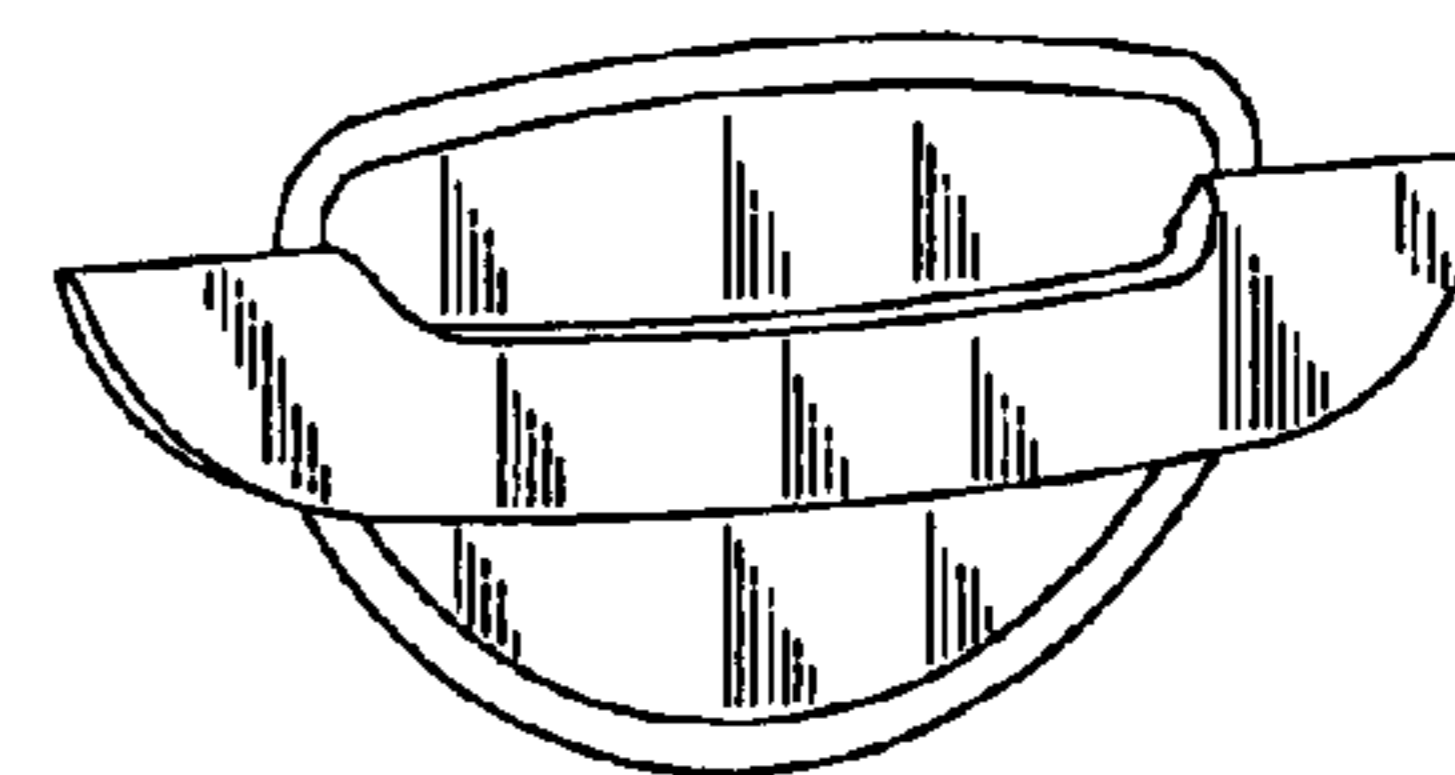
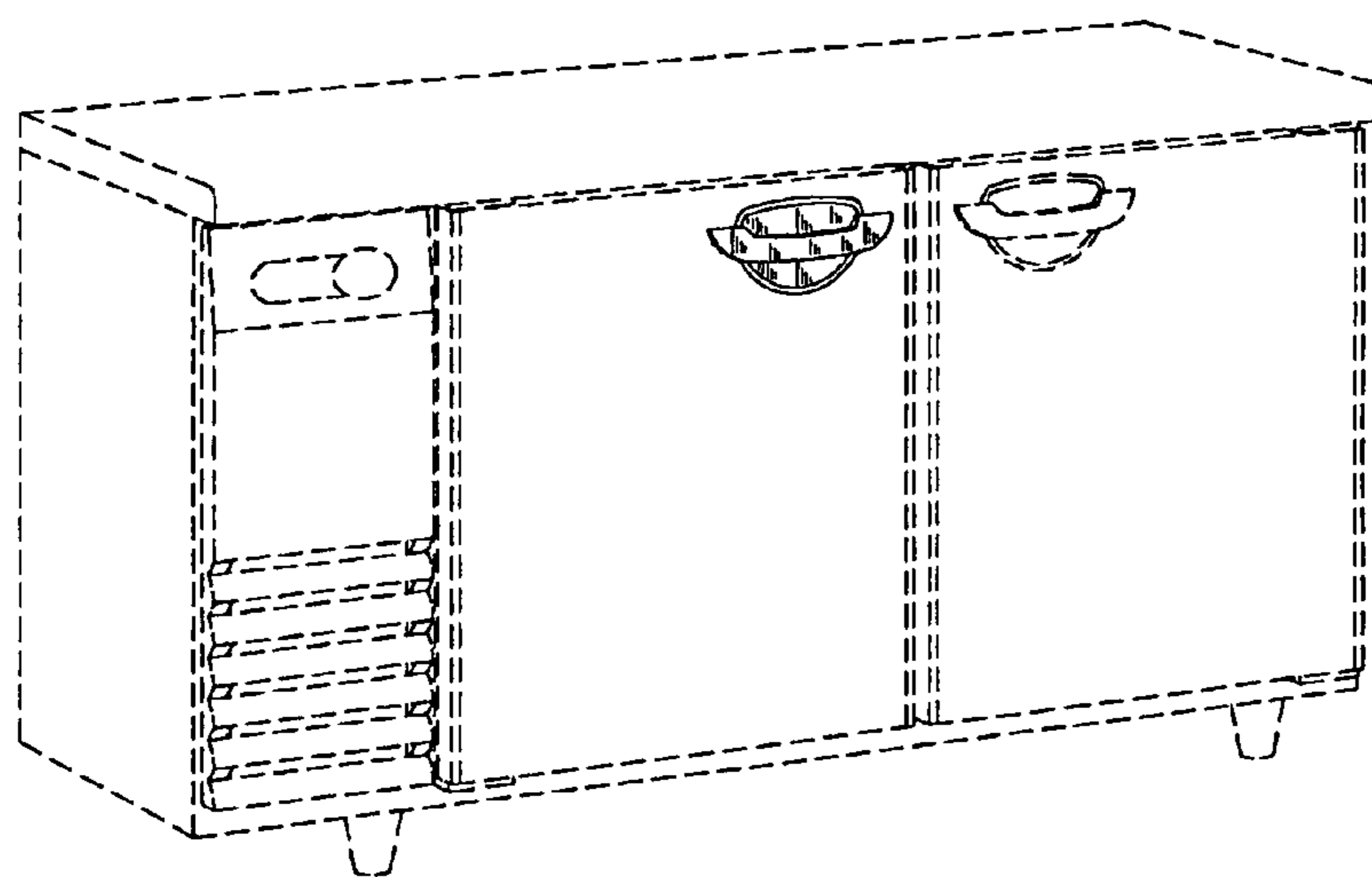


FIG. 1

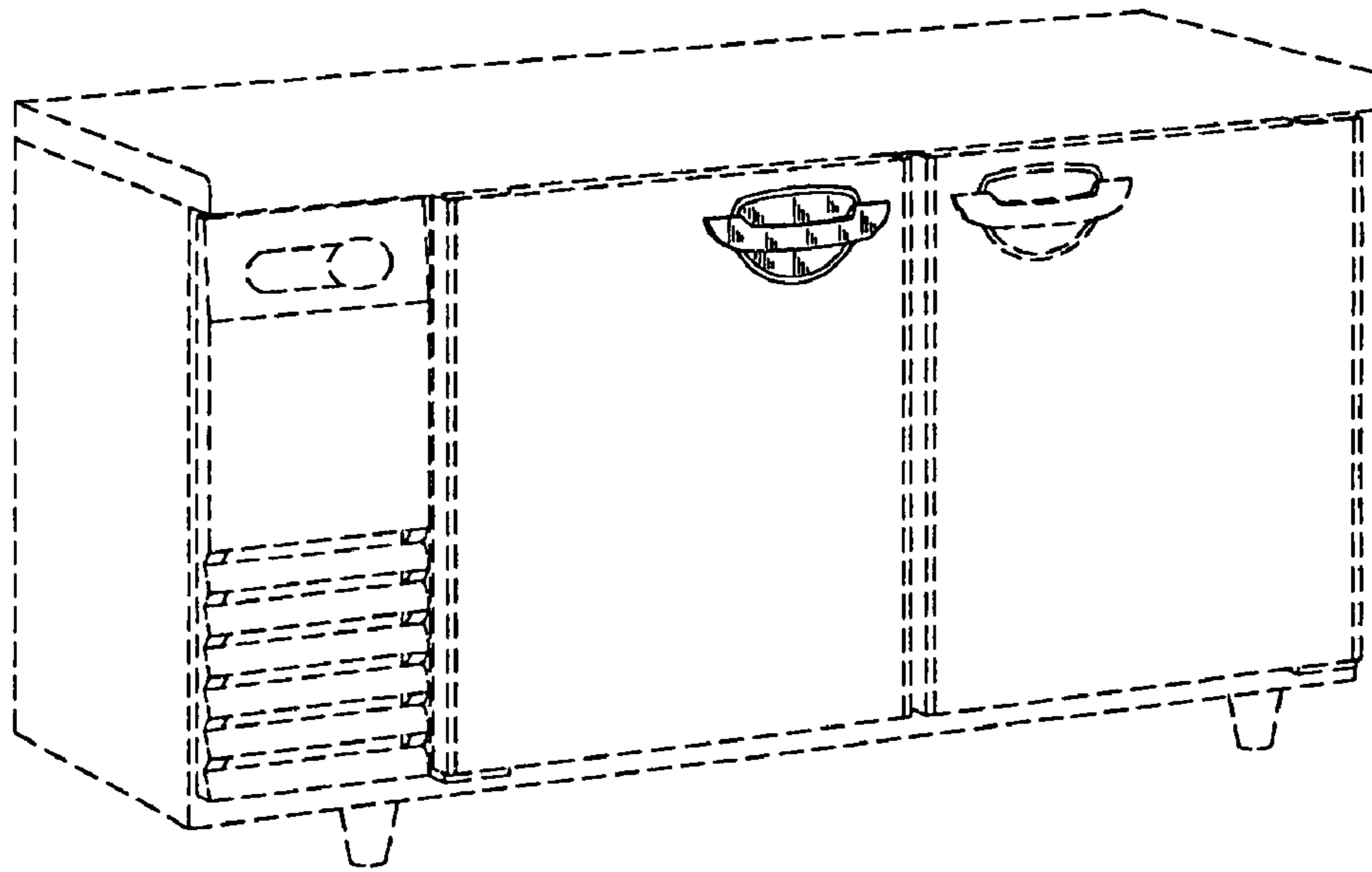


FIG. 2

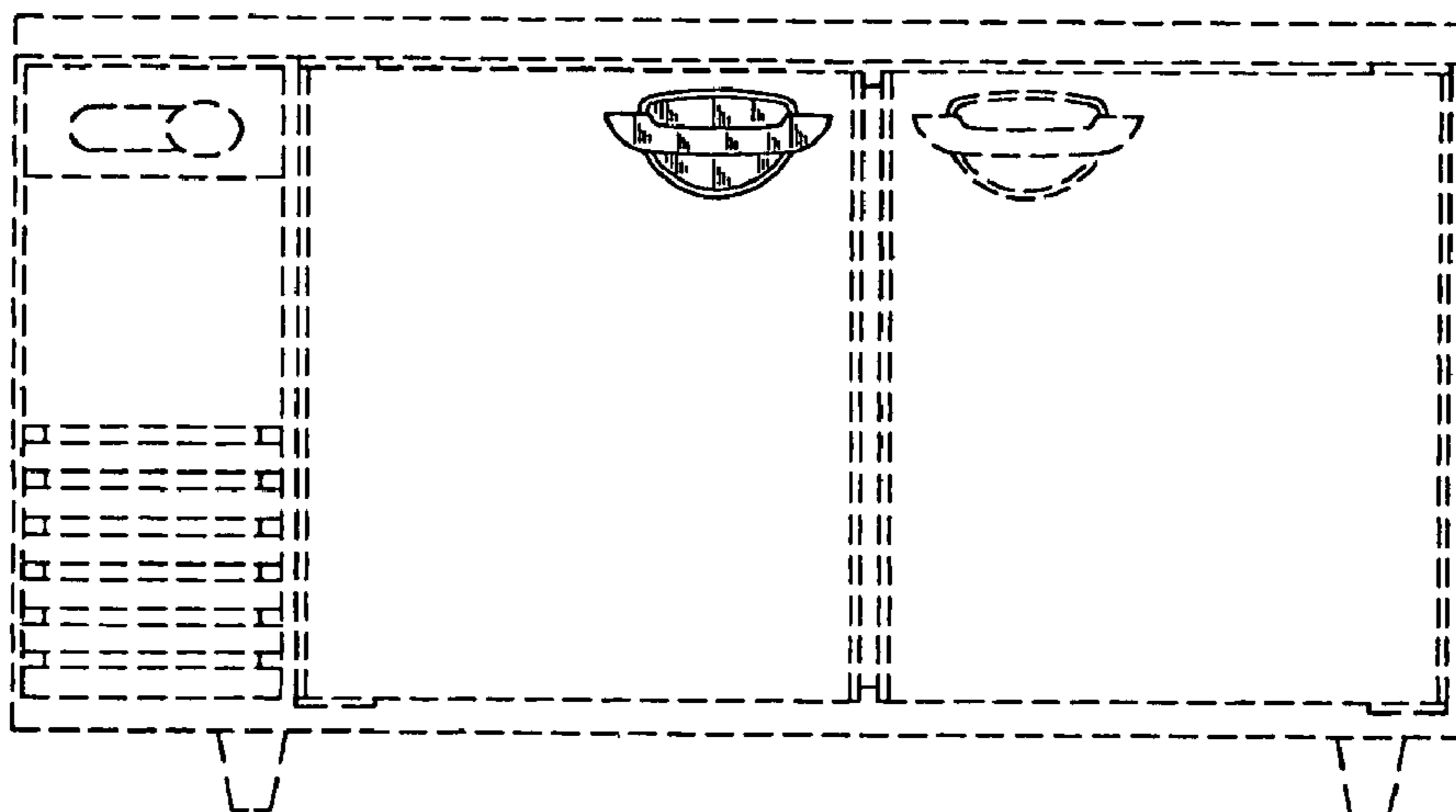


FIG. 3

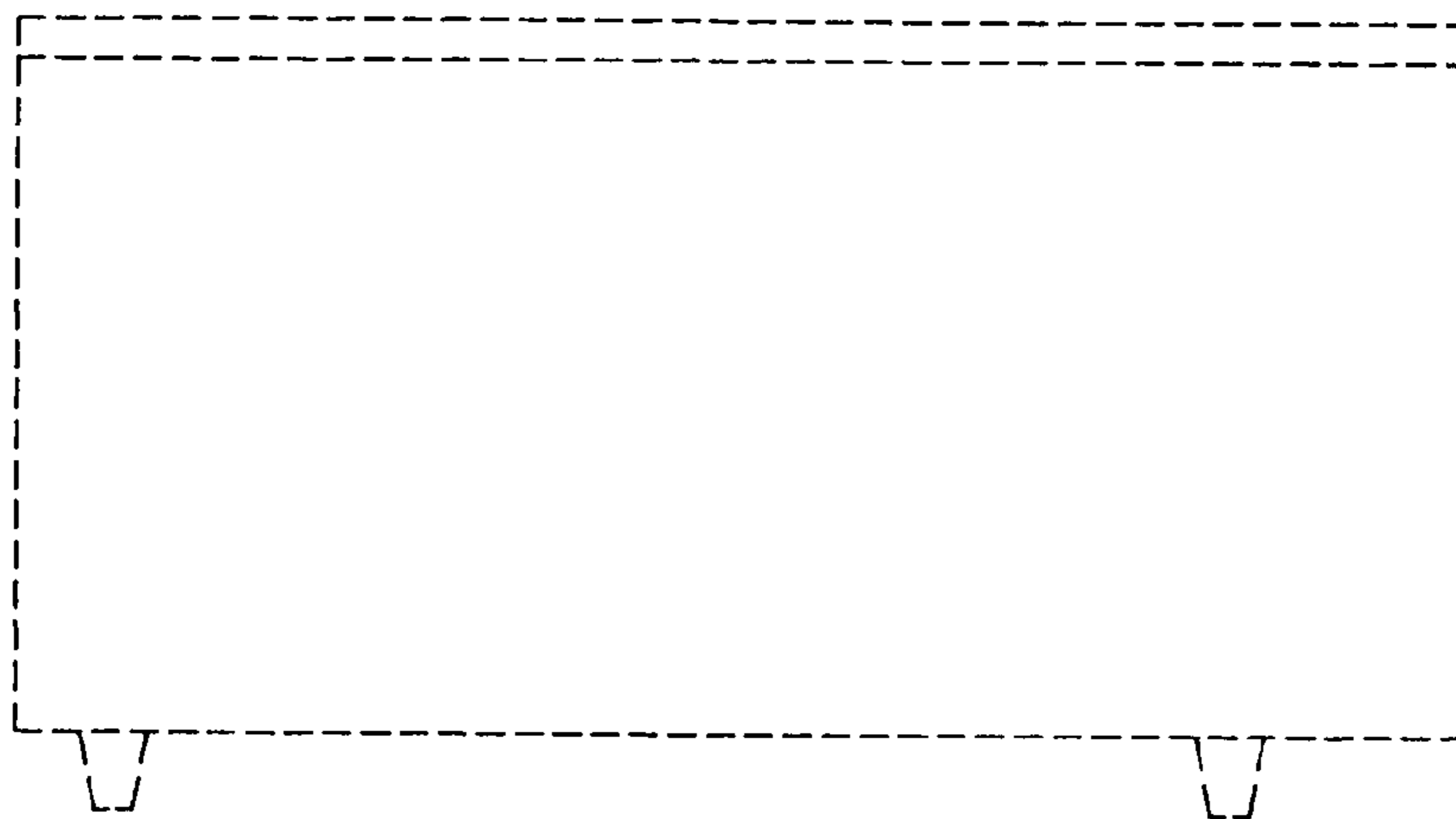


FIG. 4



FIG. 5

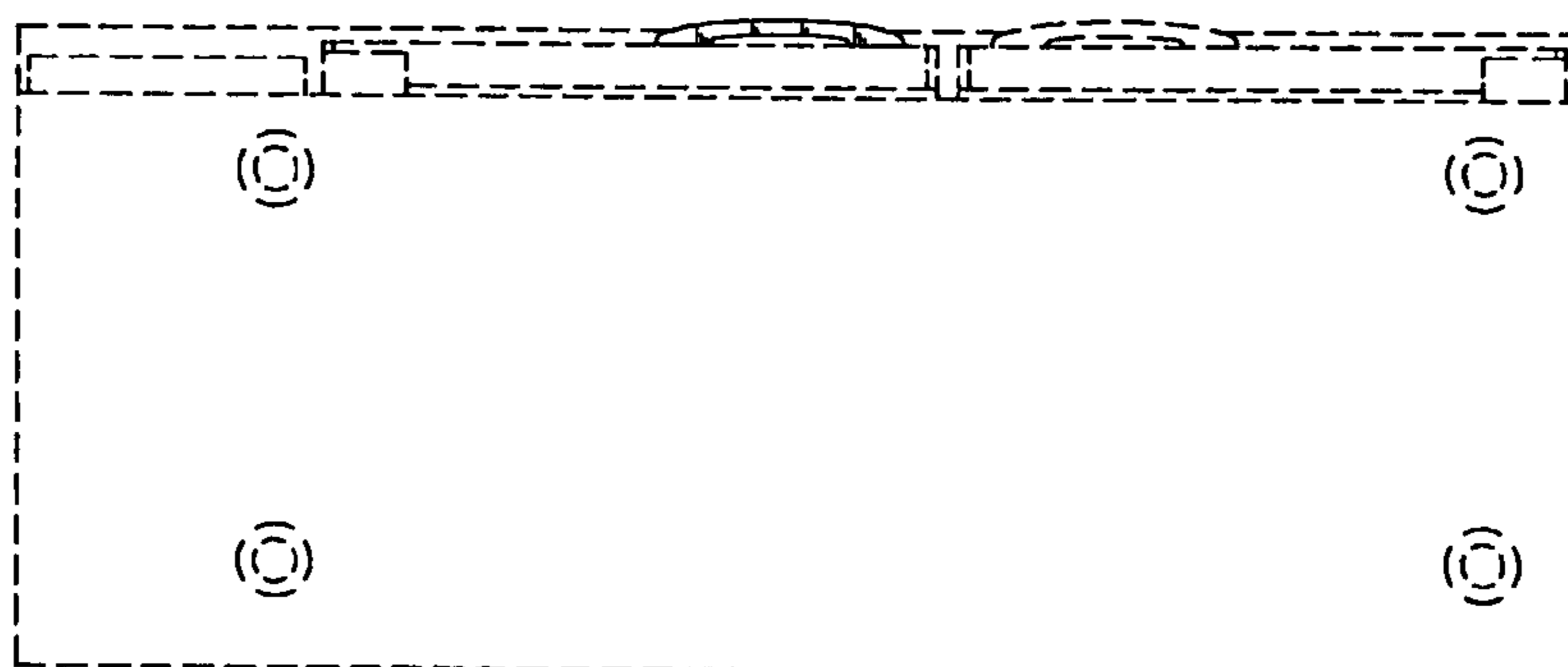


FIG. 6

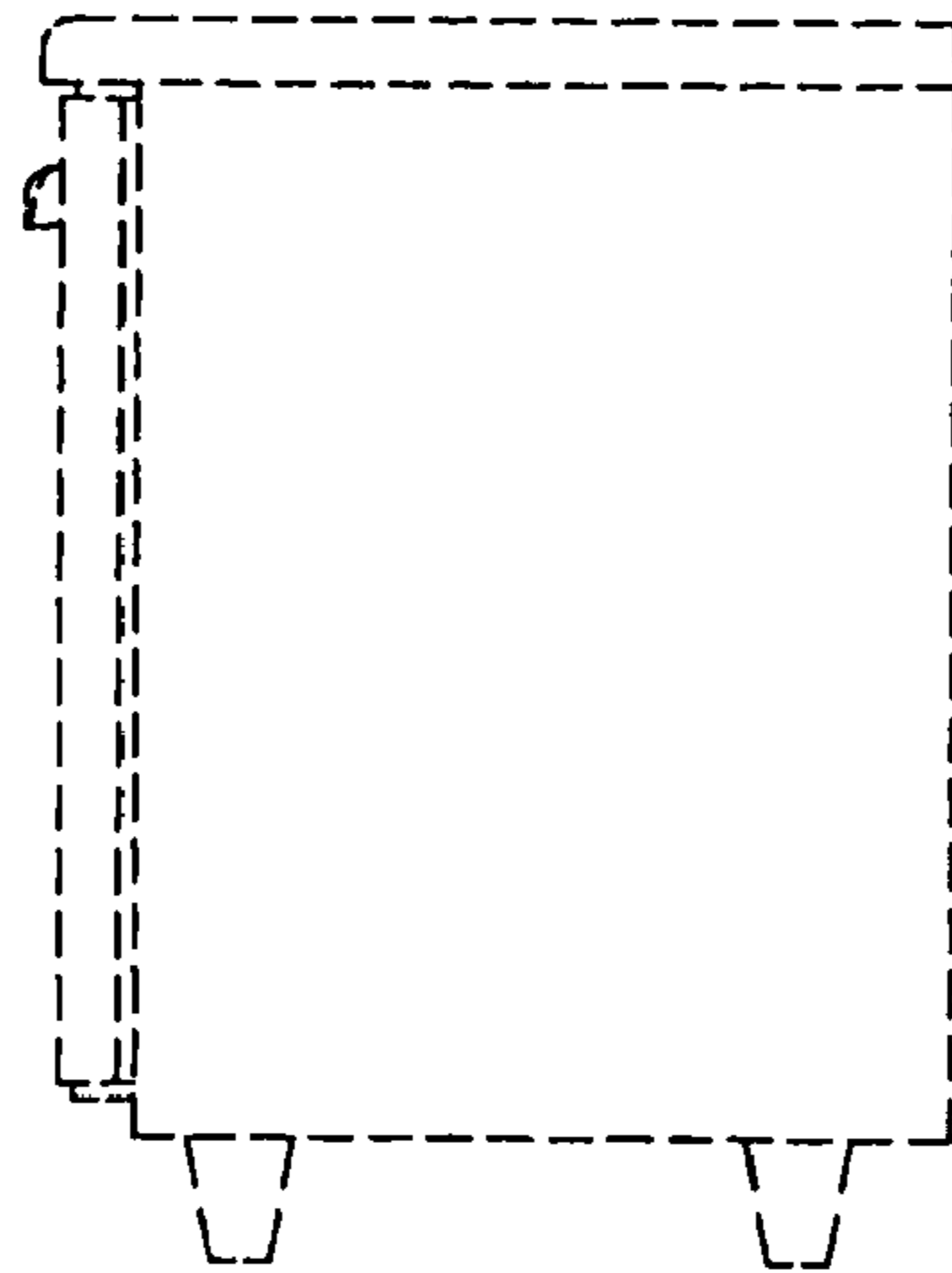


FIG. 7

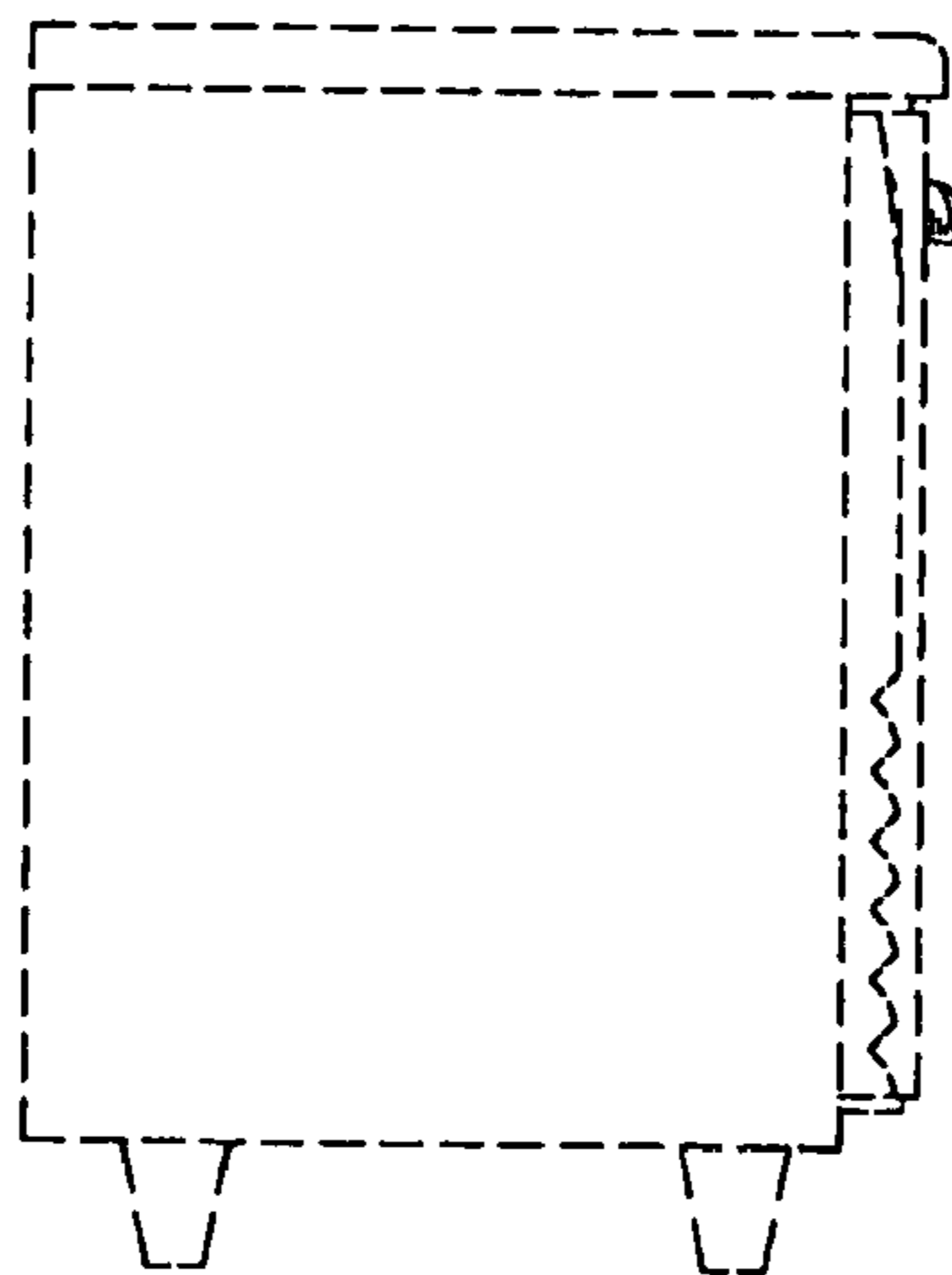


FIG. 8

