



US00D566139S

(12) **United States Design Patent**  
**Murase**

(10) **Patent No.:** **US D566,139 S**  
(45) **Date of Patent:** **\*\* Apr. 8, 2008**

(54) **CLOTH CLIP FOR EMBROIDERING MACHINE**

(75) Inventor: **Aisuke Murase**, Komaki (JP)

(73) Assignee: **Tokai Kogyo Mishin Kabushiki Kaisha** (JP)

(\*\*) Term: **14 Years**

(21) Appl. No.: **29/232,532**

(22) Filed: **Jun. 21, 2005**

(30) **Foreign Application Priority Data**

Dec. 22, 2004 (JP) ..... 2004-039385

(51) **LOC (8) Cl.** ..... **15-06**

(52) **U.S. Cl.** ..... **D15/72**

(58) **Field of Classification Search** ..... D15/66,  
D15/72, 78; D19/20, 32; D20/43; D25/119,  
D25/164; 24/67 R, 67.9; 38/102.2, 102.91;  
112/270, 400; 211/45, 89.01, 124; 248/205.3,  
248/317, 467, 489; D8/354

See application file for complete search history.

(56) **References Cited**

**U.S. PATENT DOCUMENTS**

- 4,105,127 A \* 8/1978 Holl ..... 211/124
- 4,506,416 A \* 3/1985 Ohminato et al. .... 24/67 R
- 4,899,974 A \* 2/1990 Wear et al. .... 248/467
- D308,547 S \* 6/1990 Kendes ..... D20/43
- 5,251,766 A \* 10/1993 Barry ..... 211/89.01
- D346,618 S \* 5/1994 Holmes ..... D19/32
- D360,221 S \* 7/1995 Wu ..... D19/32
- 5,555,606 A \* 9/1996 Chu ..... 24/67.9
- D377,505 S \* 1/1997 Thompson ..... D20/43
- D390,600 S \* 2/1998 Jordan ..... D19/20
- 5,718,402 A \* 2/1998 Hoffman et al. .... 248/205.3

- D424,120 S \* 5/2000 Wear ..... D20/43
- D439,929 S \* 4/2001 Shanok ..... D20/43
- 6,257,422 B1 \* 7/2001 Rios ..... 211/45
- D447,171 S \* 8/2001 Wolff et al. .... D19/32
- D447,820 S \* 9/2001 Grace ..... D25/119
- D454,962 S \* 3/2002 Grace ..... D25/119
- 6,450,471 B1 \* 9/2002 Wear ..... 248/489
- 6,453,518 B1 \* 9/2002 Adams et al. .... 24/67.9
- 6,637,716 B2 \* 10/2003 Wear ..... 248/489
- 6,976,326 B2 \* 12/2005 Tajima et al. .... 38/102.91
- D520,862 S \* 5/2006 Munson et al. .... D8/354
- D522,574 S \* 6/2006 Gavronsky ..... D19/20
- 7,261,269 B2 \* 8/2007 Cote ..... 248/317
- 2003/0074815 A1 \* 4/2003 Tajima et al. .... 38/102.2
- 2006/0278792 A1 \* 12/2006 Cote ..... 248/317

\* cited by examiner

*Primary Examiner*—Stella M. Reid

*Assistant Examiner*—Shanda C. Hill

(74) *Attorney, Agent, or Firm*—Rossi, Kimms & McDowell, LLP

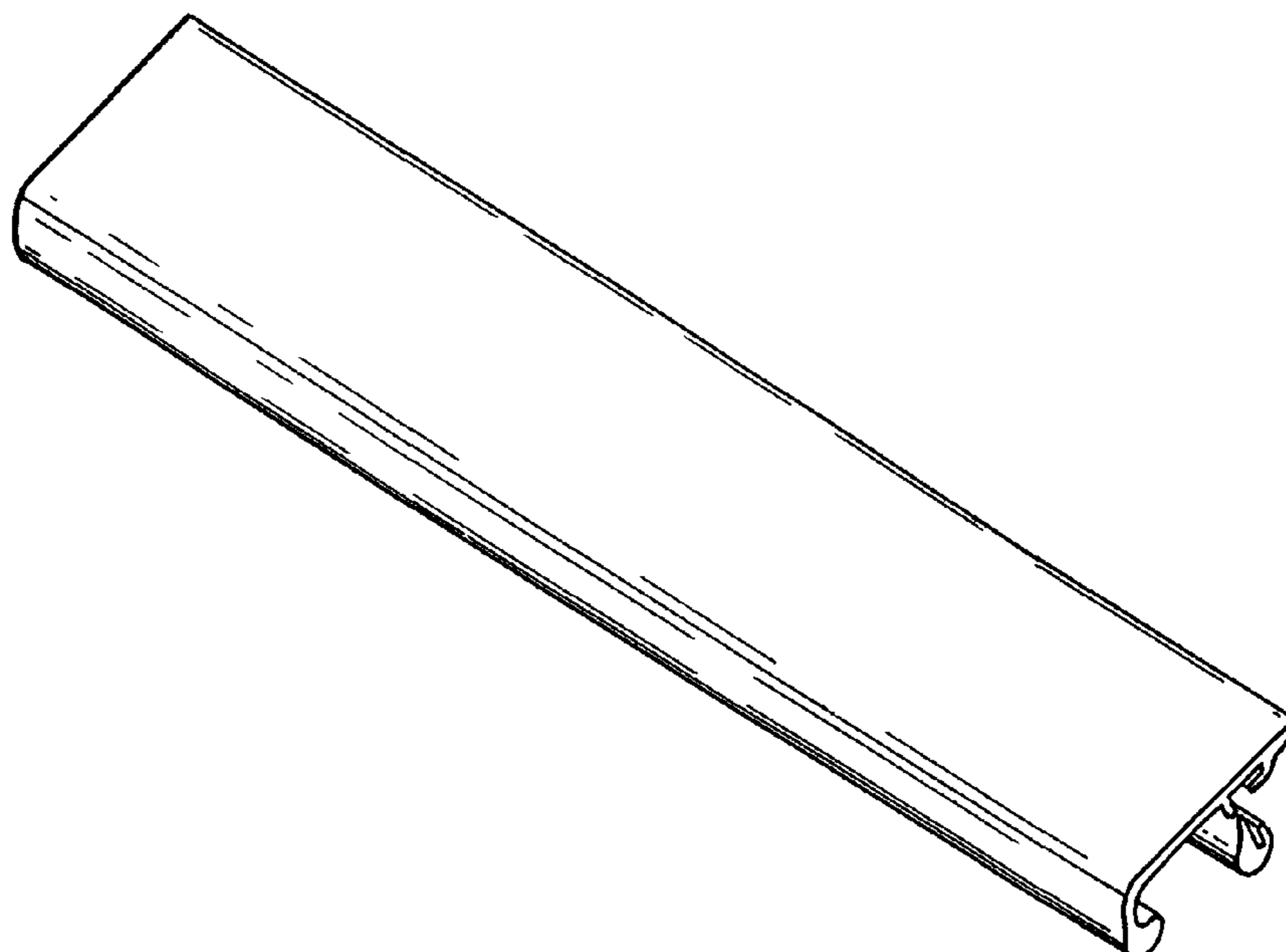
(57) **CLAIM**

The ornamental design for a cloth clip for an embroidering machine, as shown and described.

**DESCRIPTION**

FIG. 1 is a front, left perspective view of the cloth clip for an embroidering machine, showing my ornamental design; FIG. 2 is a front elevation view thereof; FIG. 3 is a right elevation view; thereof, the left side being identical; FIG. 4 is a rear elevation view thereof; FIG. 5 is a top plan view thereof; and, FIG. 6 is a bottom plan view thereof.

**1 Claim, 2 Drawing Sheets**



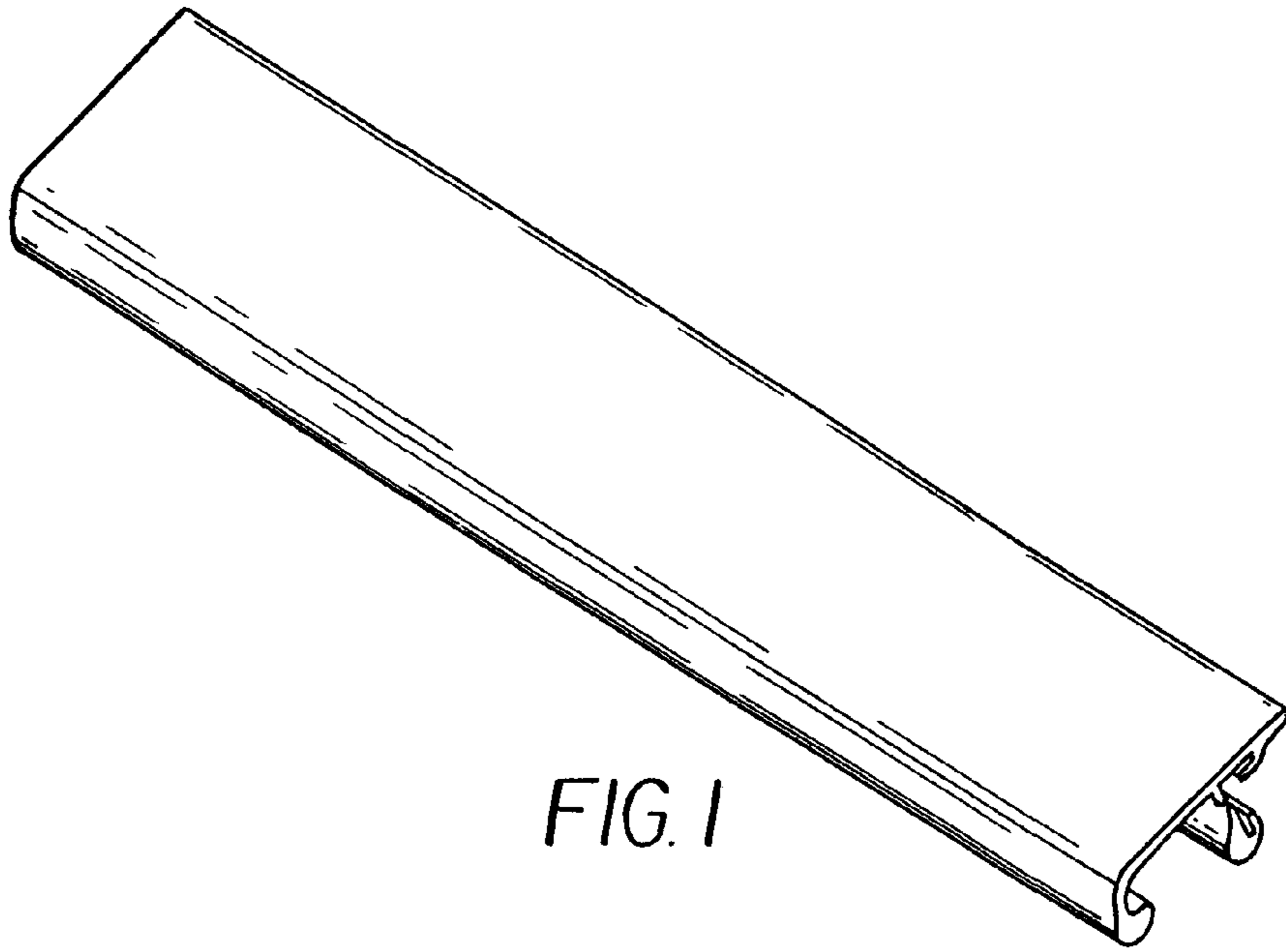


FIG. 1

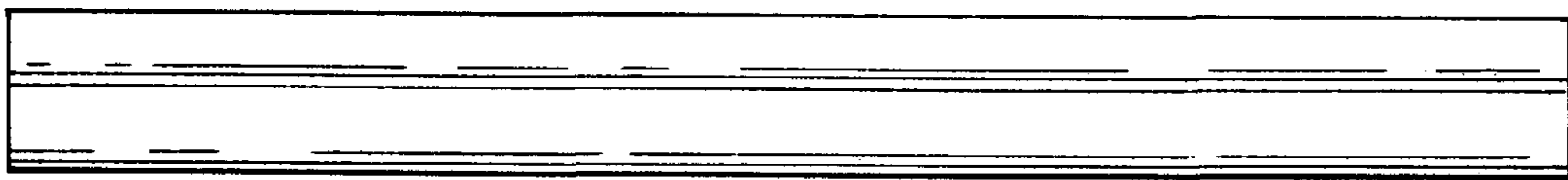


FIG. 2



FIG. 3

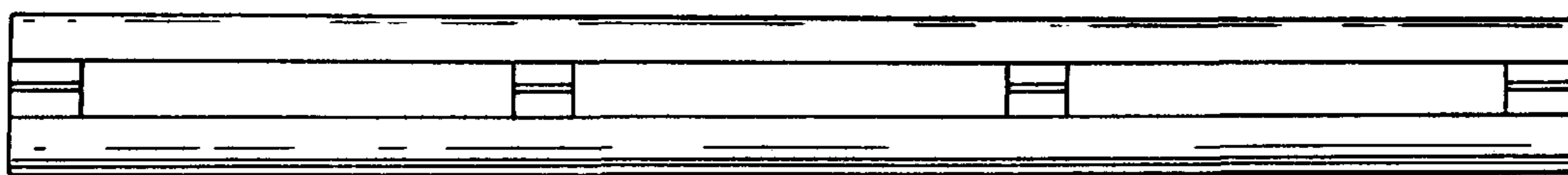
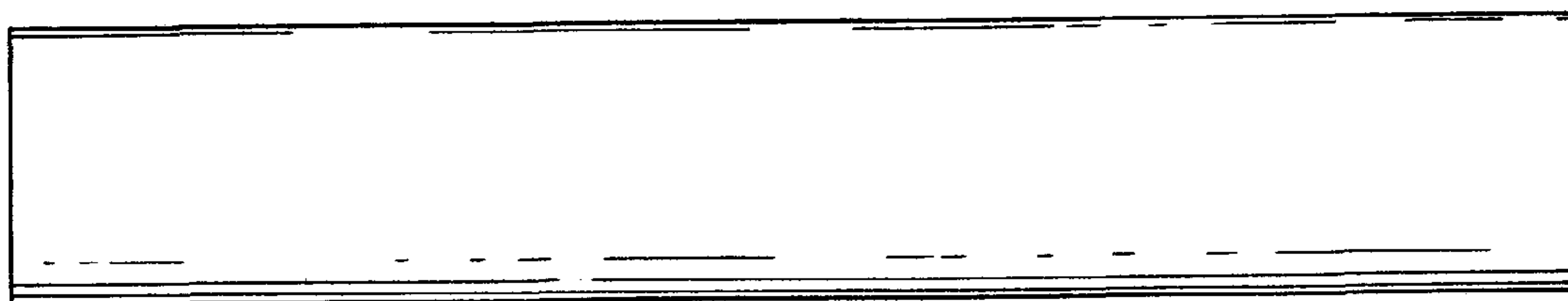
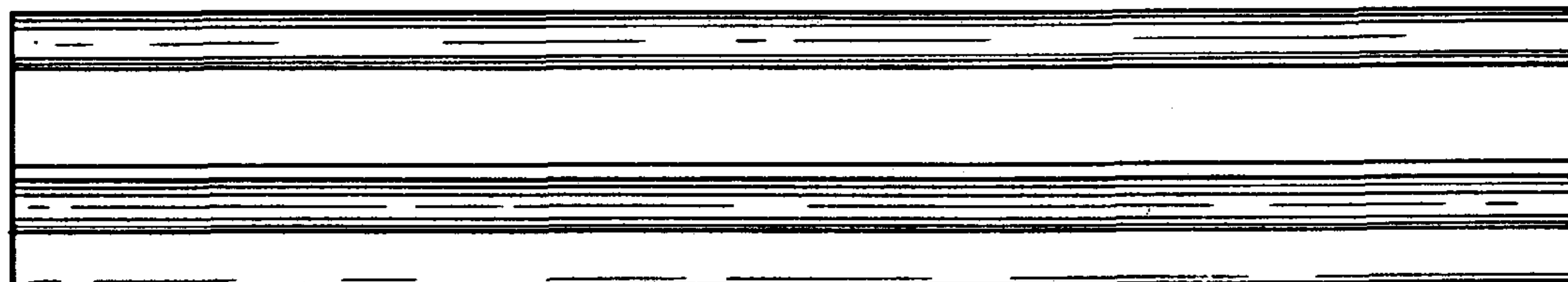


FIG. 4



*FIG. 5*



*FIG. 6*