

US00D566138S

(12) **United States Design Patent**
Forkert

(10) **Patent No.:** **US D566,138 S**

(45) **Date of Patent:** **** Apr. 8, 2008**

(54) **AGRICULTURAL COMBINE**

(75) Inventor: **Stefan Forkert**, Lippstadt (DE)

(73) Assignee: **Claas KGaA mbH**, Harsewinkel (DE)

(**) Term: **14 Years**

(21) Appl. No.: **29/276,681**

(22) Filed: **Feb. 1, 2007**

(30) **Foreign Application Priority Data**

Aug. 8, 2006 (DE) 406 04 089

(51) **LOC (8) Cl.** **15-03**

(52) **U.S. Cl.** **D15/27**

(58) **Field of Classification Search** D15/10,
D15/22-26, 33; 54/14.6, 10.1, 14.7; 180/89.1,
180/89.12, 900; 460/119

See application file for complete search history.

(56) **References Cited**

U.S. PATENT DOCUMENTS

3,650,052	A *	3/1972	Maiste et al.	56/473.5
D223,466	S *	4/1972	Fell	D15/26
D245,420	S *	8/1977	Maucher	D15/26
D253,057	S *	10/1979	Fachini et al.	D15/26
4,241,566	A *	12/1980	Webster	56/14.6
4,416,486	A *	11/1983	McNaught et al.	296/190.11
4,467,818	A *	8/1984	Donaldson et al.	460/119
4,553,378	A *	11/1985	Fachini et al.	56/16.6
D300,221	S *	3/1989	Odahara et al.	D15/24
4,828,071	A *	5/1989	Gaede	180/291

D309,738	S *	8/1990	Schober et al.	D15/26
5,156,570	A *	10/1992	Justice, III	460/118
5,519,987	A *	5/1996	Voss et al.	56/14.6
D373,591	S *	9/1996	Von Allworden et al. ...	D15/26
2005/0279070	A1 *	12/2005	Pirro et al.	56/14.6
2006/0254237	A1 *	11/2006	Ricketts et al.	56/14.6

* cited by examiner

Primary Examiner—Stella M. Reid

Assistant Examiner—Mark Goodwin

(74) *Attorney, Agent, or Firm*—Michael J. Striker

(57) **CLAIM**

The ornamental design for an agricultural combine, as shown and described.

DESCRIPTION

FIG. 1 is a front perspective view of an agricultural combine showing my new design;

FIG. 2 is a rear perspective view thereof;

FIG. 3 is a side view thereof;

FIG. 4 is the opposite side view of FIG. 3 thereof;

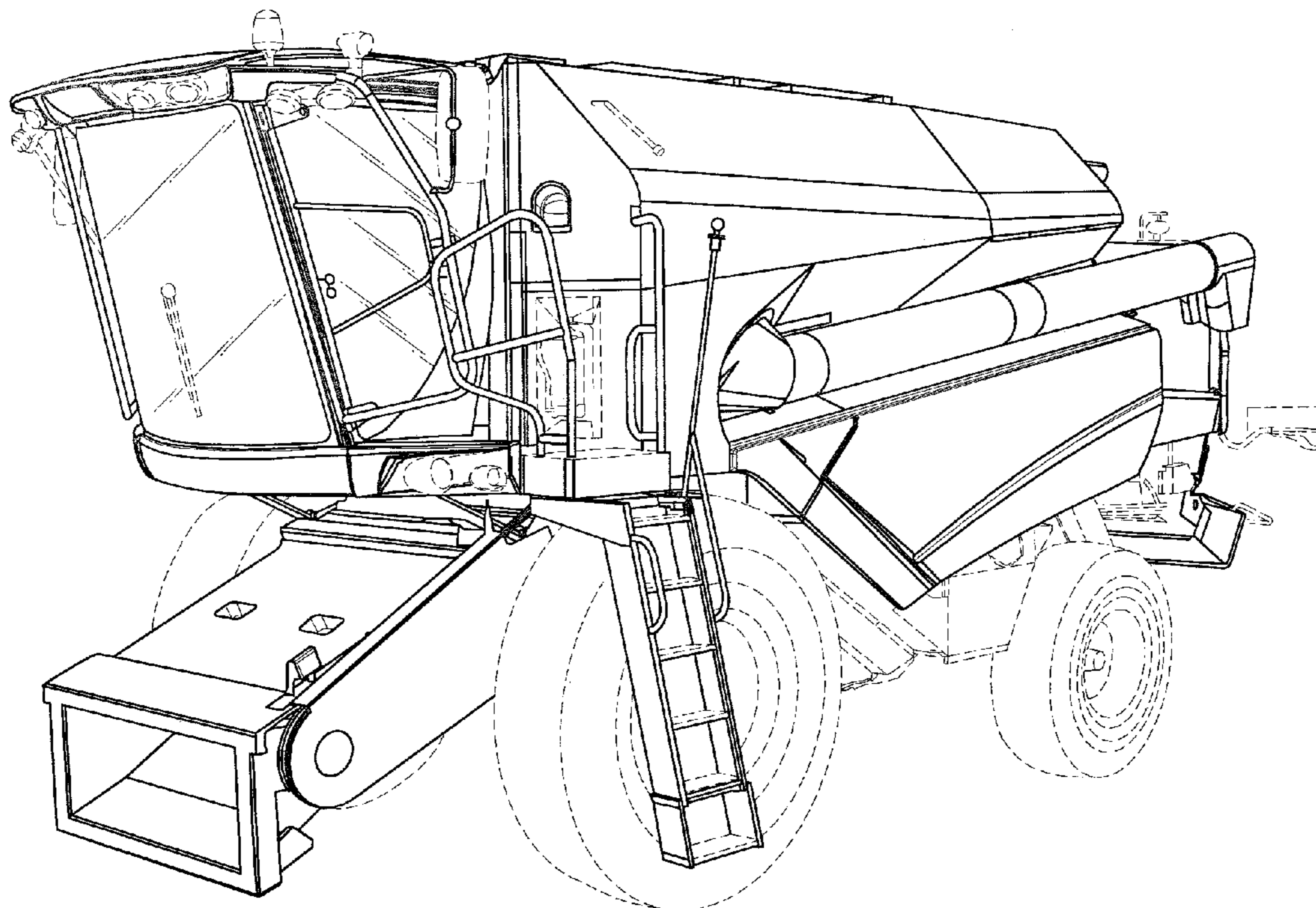
FIG. 5 is an enlarged front view thereof;

FIG. 6 is an enlarged rear view thereof; and,

FIG. 7 is top view thereof.

The broken line showing of the tires, ladder, mirrors and various small elements attached to the combine is included for the purpose of illustrating portions of the agricultural combine and forms no part of the claim design.

1 Claim, 7 Drawing Sheets



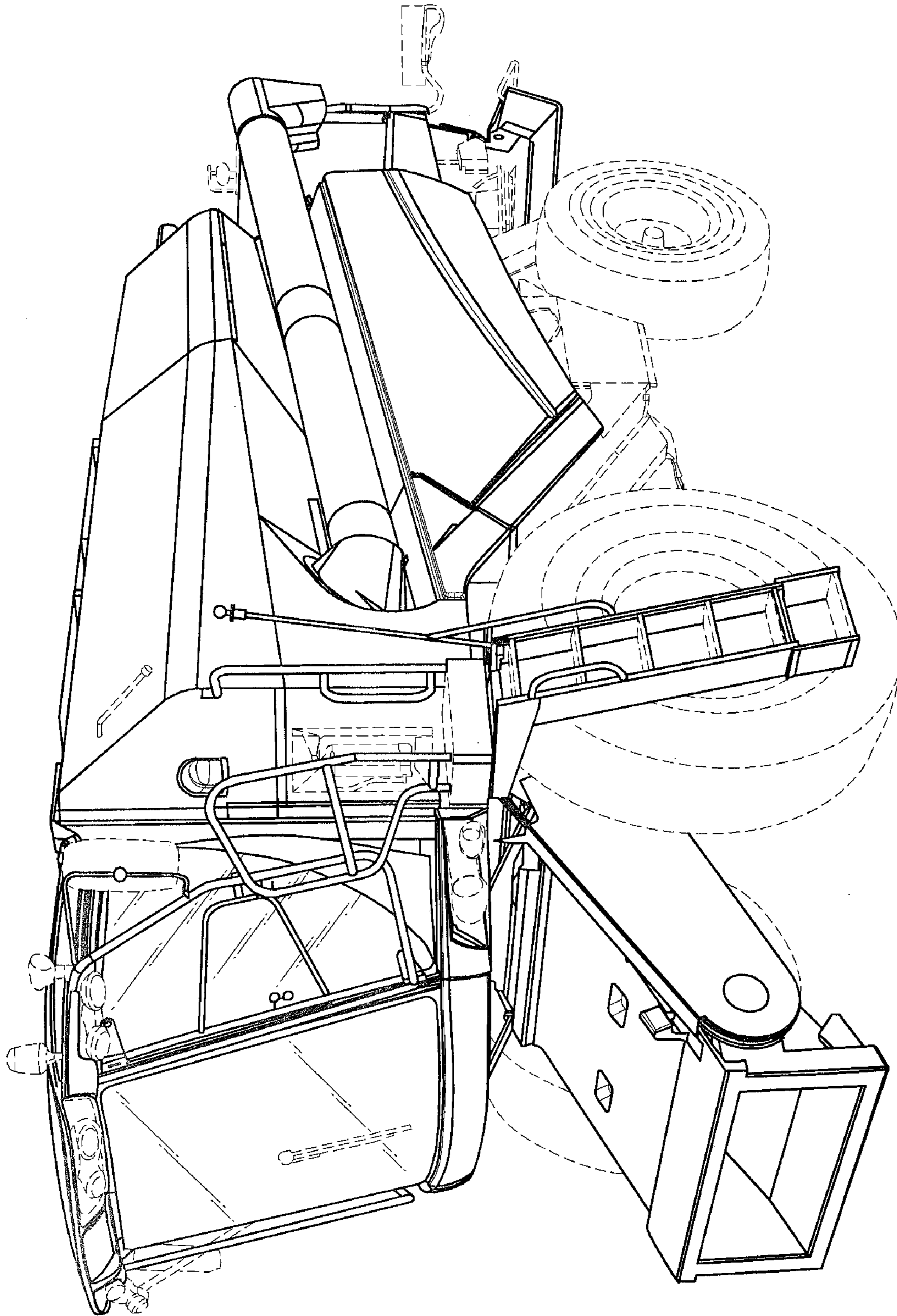


FIG. 1

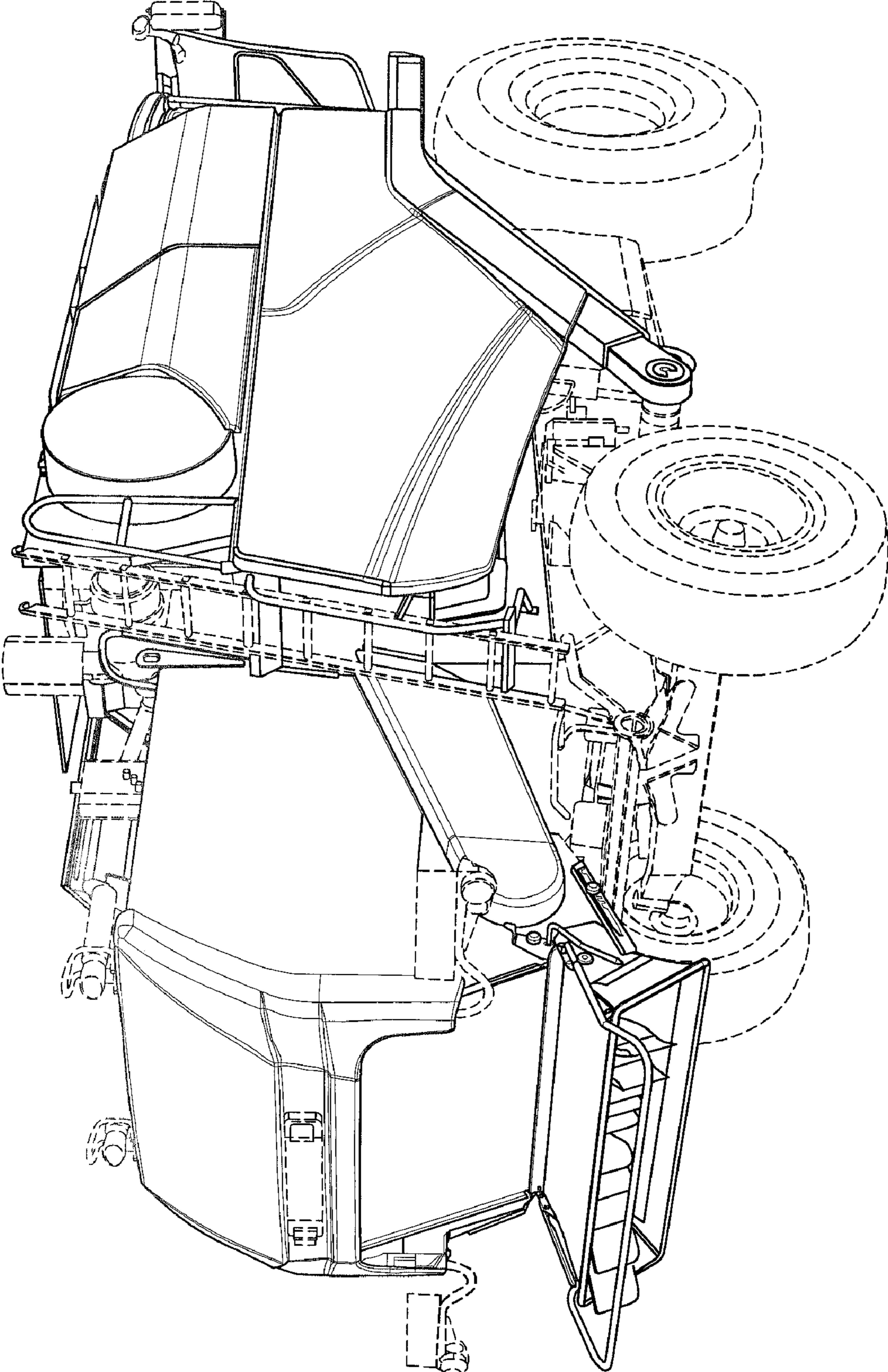


FIG. 2

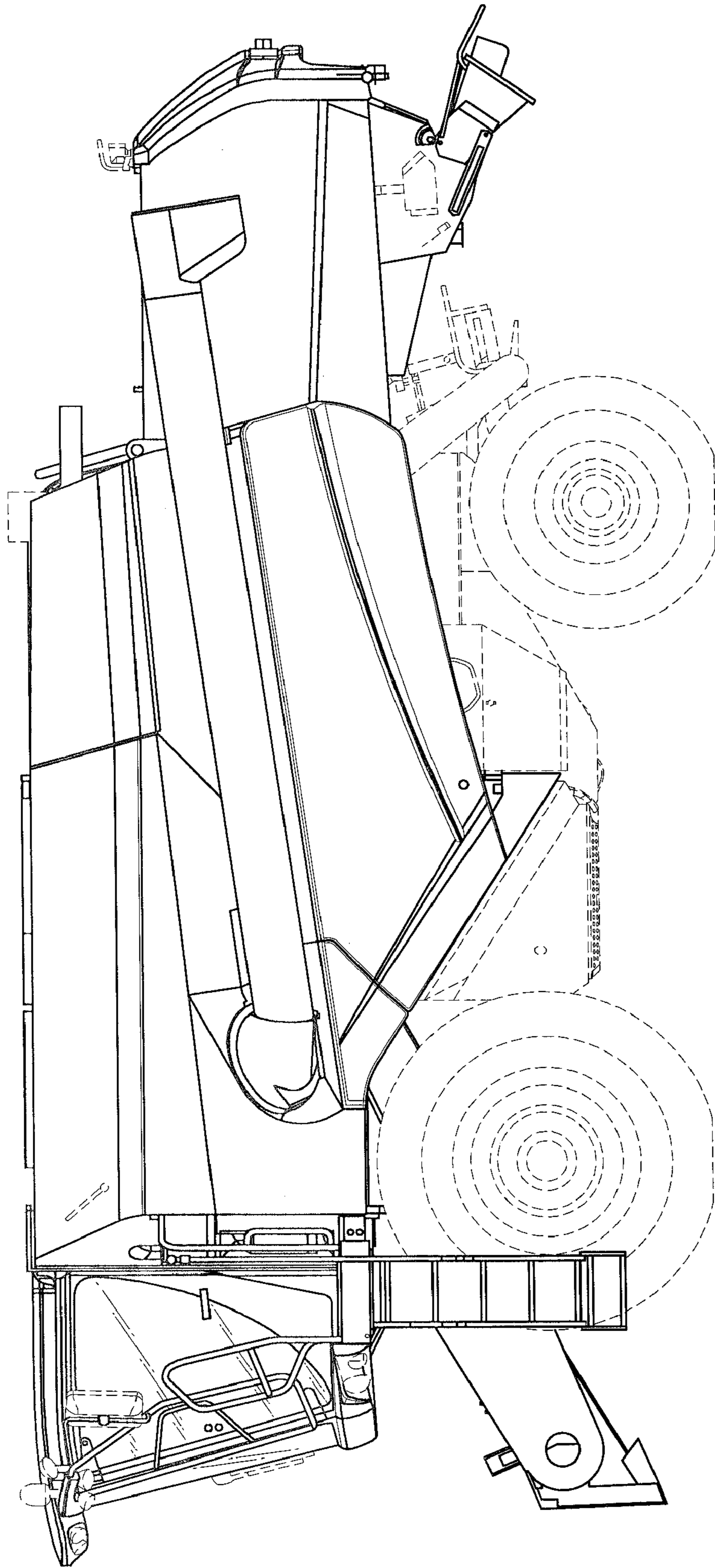


FIG. 3

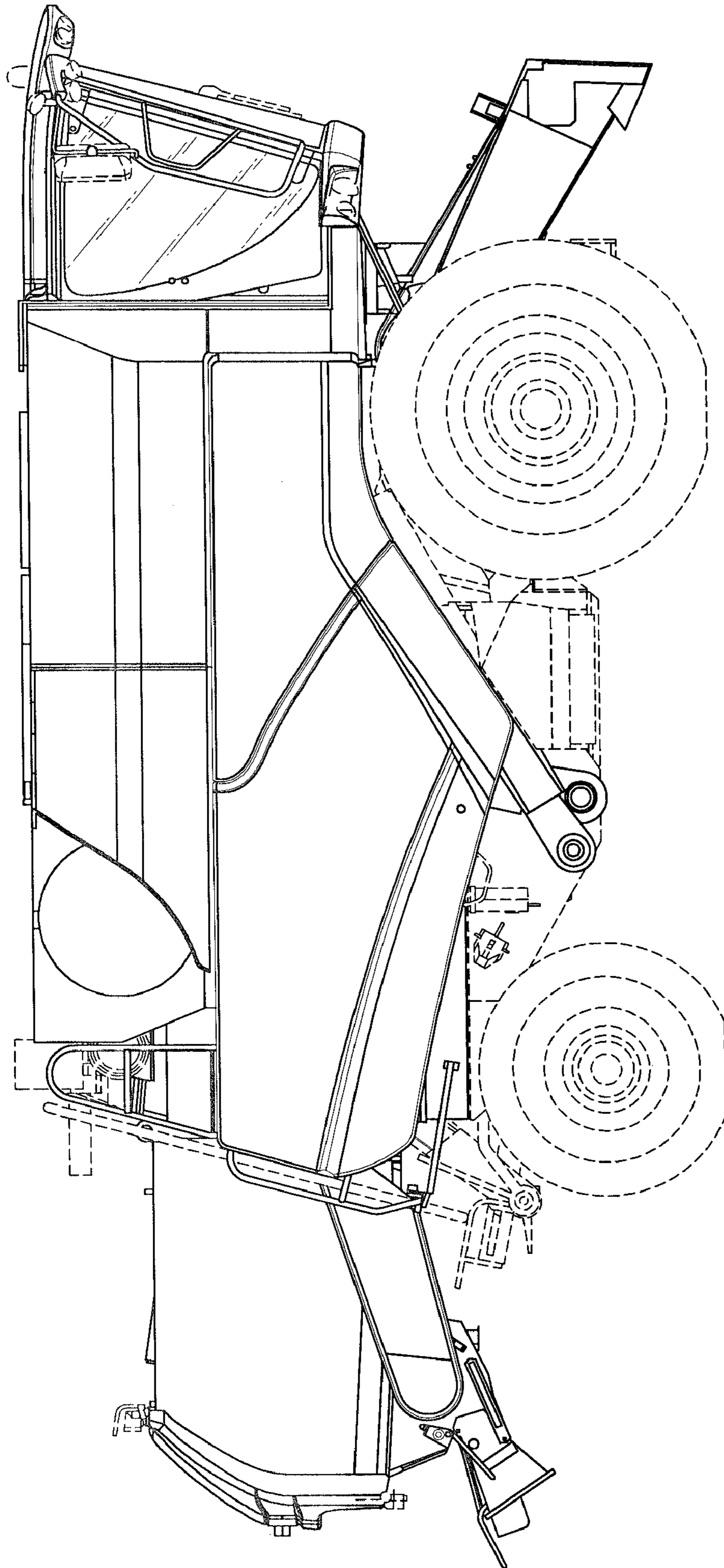


FIG. 4

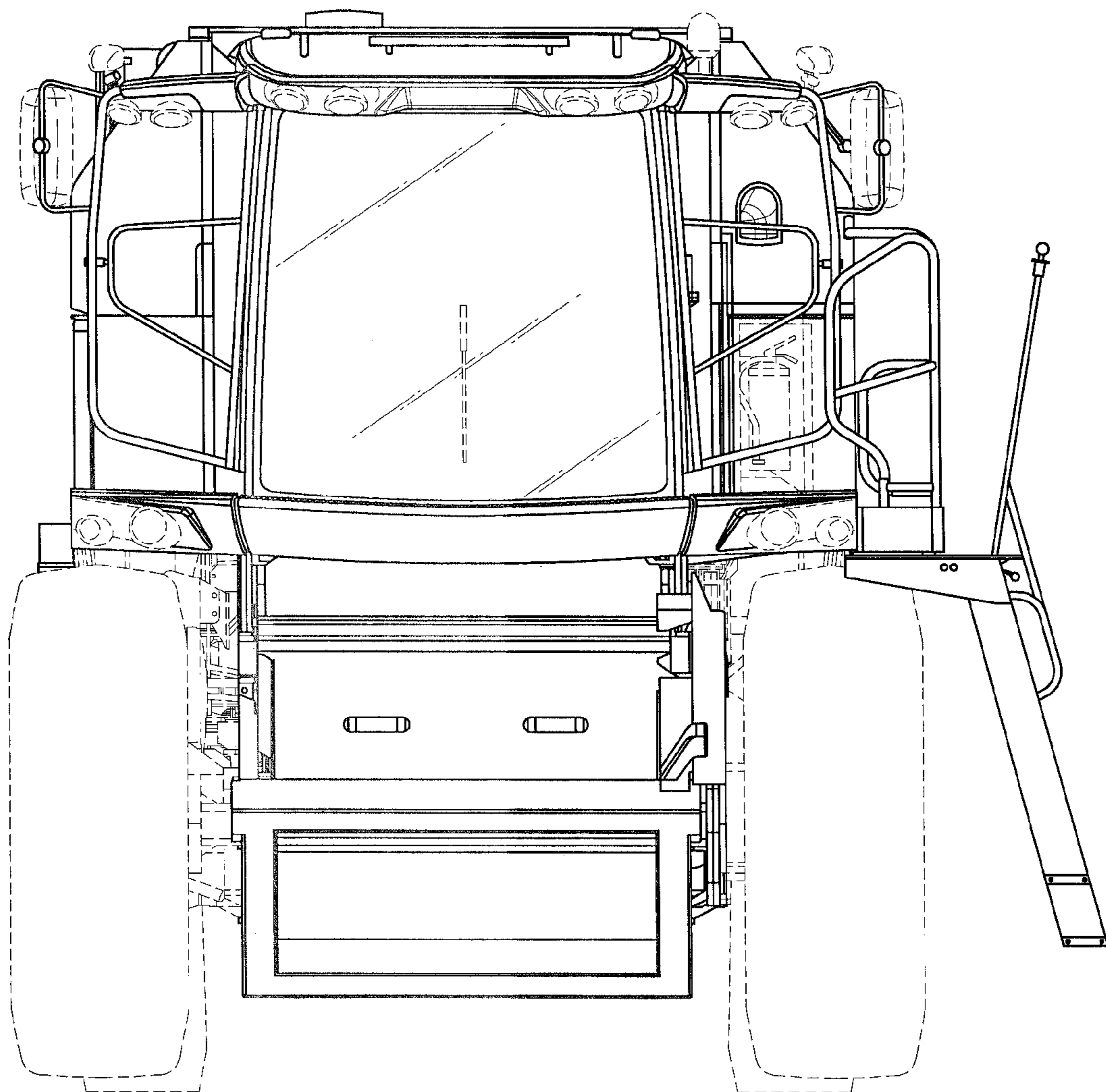


FIG. 5

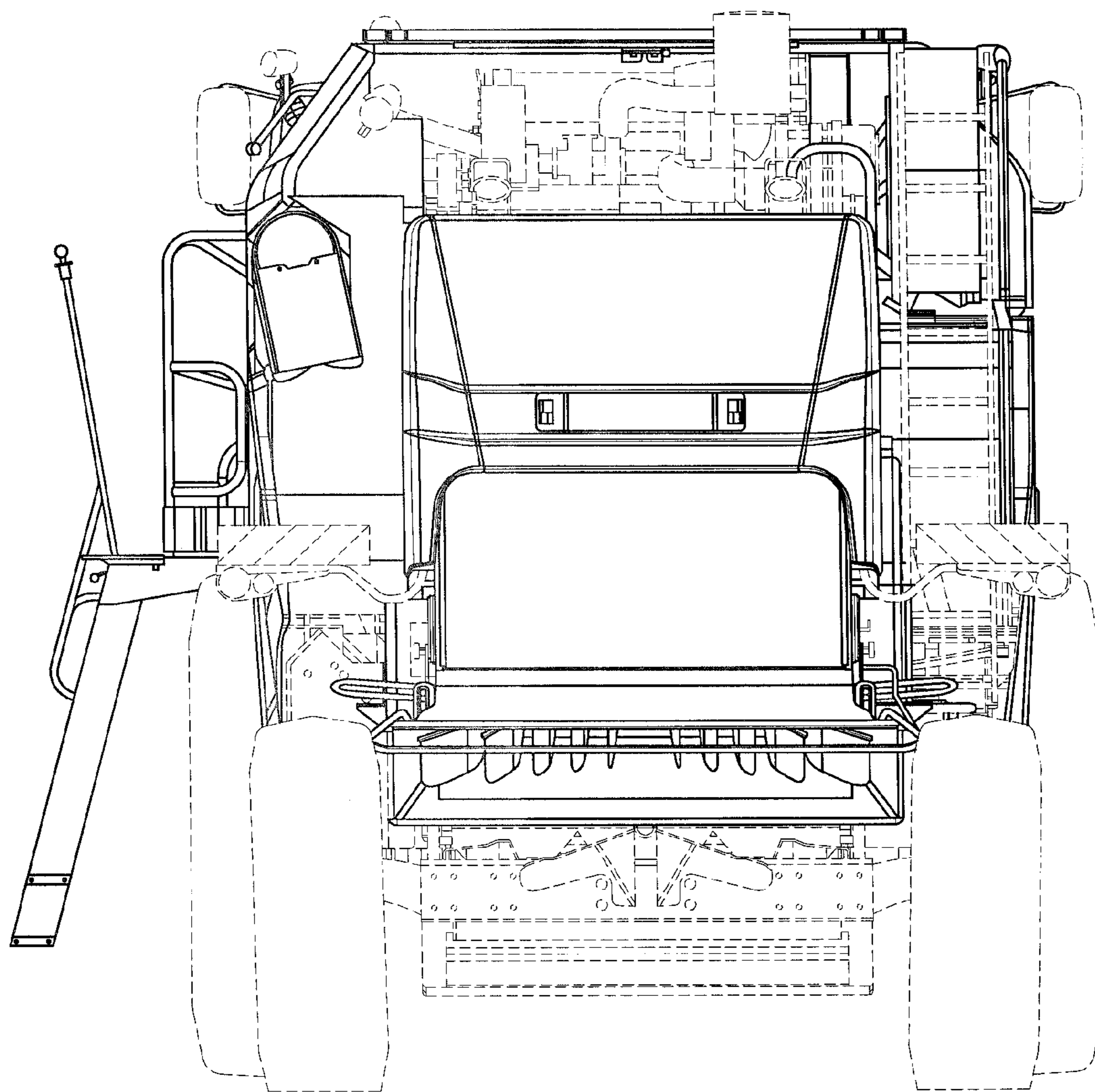


FIG. 6

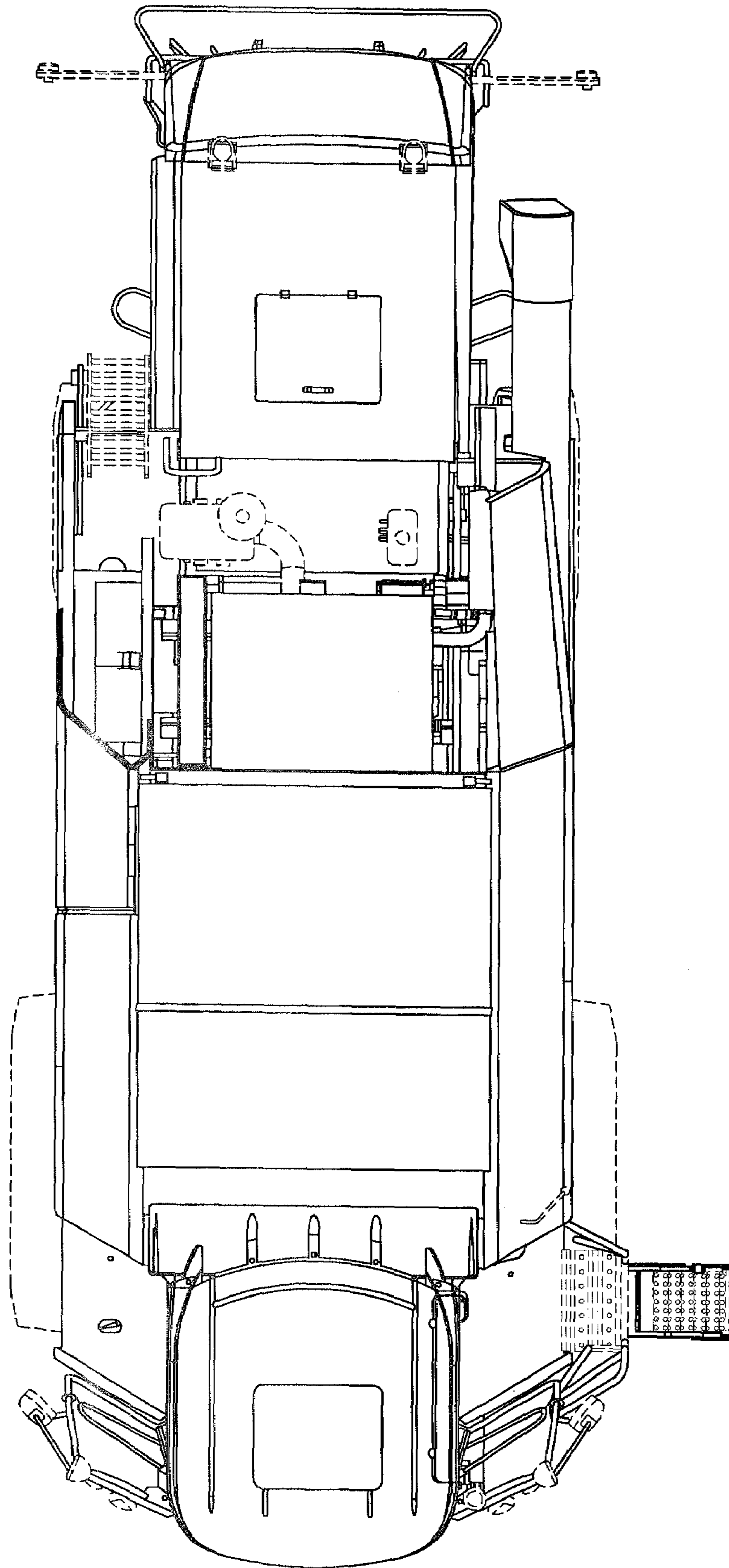


FIG. 7