



US00D566134S

(12) **United States Design Patent**
Ito et al.

(10) **Patent No.:** **US D566,134 S**

(45) **Date of Patent:** **** Apr. 8, 2008**

(54) **CLUTCH LEVER COVER FOR AN AGRICULTURAL MACHINE**

(75) Inventors: **Jun Ito**, Saitama (JP); **Takahiro Suzuki**, Saitama (JP)

(73) Assignee: **Honda Motor Co., Ltd.**, Tokyo (JP)

(**) Term: **14 Years**

(21) Appl. No.: **29/281,194**

(22) Filed: **Jun. 18, 2007**

(30) **Foreign Application Priority Data**

Dec. 19, 2006 (JP) 2006-034799

(51) **LOC (8) Cl.** **15-03**

(52) **U.S. Cl.** **D15/11**

(58) **Field of Classification Search** D15/10-12, D15/17, 21, 22, 28, 31; D12/196; 180/89.1, 180/89.12, 900; 172/42, 43, 250, 256, 508; 56/17.4, 320.1, 320.2, DIG. 20, DIG. 24
See application file for complete search history.

(56) **References Cited**

U.S. PATENT DOCUMENTS

D161,537 S *	1/1951	Ronning	D15/12
D171,385 S *	2/1954	Butler	D15/17
D177,235 S *	3/1956	Huff	D15/17
D183,733 S *	10/1958	Gale	D15/17
D186,685 S *	11/1959	Faxstein et al.	D10/95
D203,347 S *	12/1965	Davies, III	D15/12
D204,005 S *	3/1966	Davies, III	D15/12
D206,274 S *	11/1966	Davies, III	D15/12
D237,524 S *	11/1975	Monroe	D15/17
D248,761 S *	8/1978	Uhlinger et al.	D15/17
D280,824 S *	10/1985	Mikado	D15/12
D281,610 S *	12/1985	Sasaki	D15/12
D281,611 S *	12/1985	Mikado	D15/12
4,640,366 A *	2/1987	Saito	172/42
D297,238 S *	8/1988	Horikawa et al.	D15/11
D352,723 S *	11/1994	DeBaal et al.	D15/31
D365,573 S *	12/1995	Westimayer et al.	D15/17

D382,279 S *	8/1997	Goebert et al.	D15/31
D392,982 S *	3/1998	Smith	D15/17
D410,012 S *	5/1999	Goebert et al.	D15/31
D411,210 S *	6/1999	Goebert et al.	D15/31
5,908,075 A *	6/1999	Iannello	172/42
D416,026 S *	11/1999	Ohsumi et al.	D15/12
D422,605 S *	4/2000	Danthois	D15/17
D441,769 S *	5/2001	SurrIDGE	D15/17
D449,052 S *	10/2001	Ito et al.	D15/12
D449,056 S *	10/2001	Westimayer et al.	D15/28
D456,822 S *	5/2002	Westimayer et al.	D15/31
D475,067 S *	5/2003	Ito et al.	D15/12
D484,894 S *	1/2004	McCord et al.	D15/28
D486,502 S *	2/2004	Yuzuriha et al.	D15/12
D502,132 S *	2/2005	Bonner et al.	D12/196
6,854,526 B2 *	2/2005	Yamazaki et al.	172/42
7,237,620 B2 *	7/2007	Abenroth et al.	172/42
2004/0149457 A1 *	8/2004	Yamazaki et al.	172/42
2006/0185861 A1 *	8/2006	Fukuzumi et al.	172/42

* cited by examiner

Primary Examiner—Stella M. Reid
Assistant Examiner—Mark Goodwin

(74) *Attorney, Agent, or Firm*—Westerman, Hattori, Daniels & Adrian, LLP.

(57) **CLAIM**

The ornamental design for, a clutch lever cover for an agricultural machine, as shown and described.

DESCRIPTION

FIG. 1 is a perspective view of a clutch lever cover for an agricultural machine, showing our new design;
FIG. 2 is another perspective view thereof;
FIG. 3 is a front elevation view thereof;
FIG. 4 is a rear elevation view thereof;
FIG. 5 is a top plan view thereof;
FIG. 6 is a right side elevation view thereof; and,
FIG. 7 is a left side elevation view thereof.

1 Claim, 7 Drawing Sheets

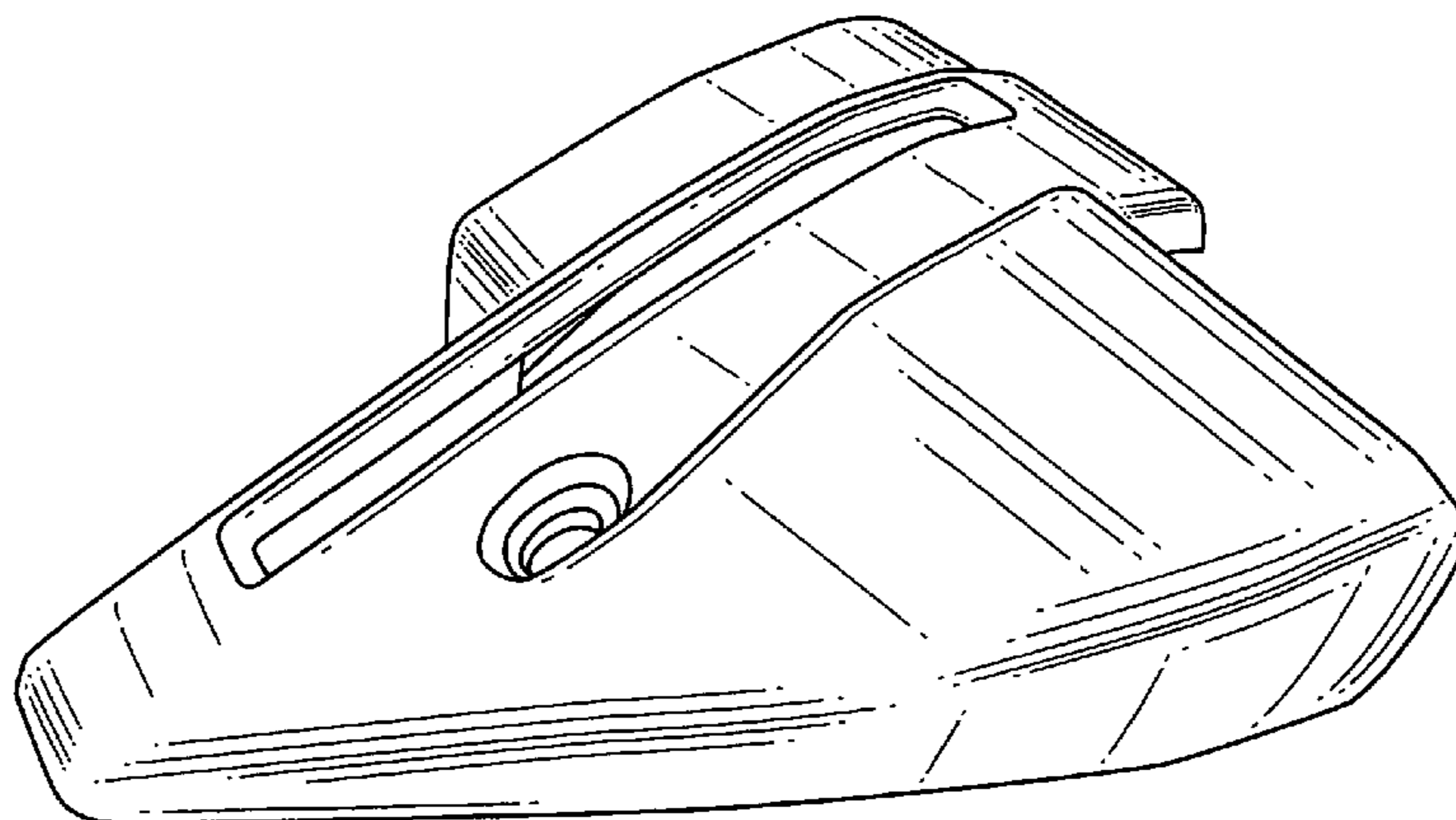


Fig. 1

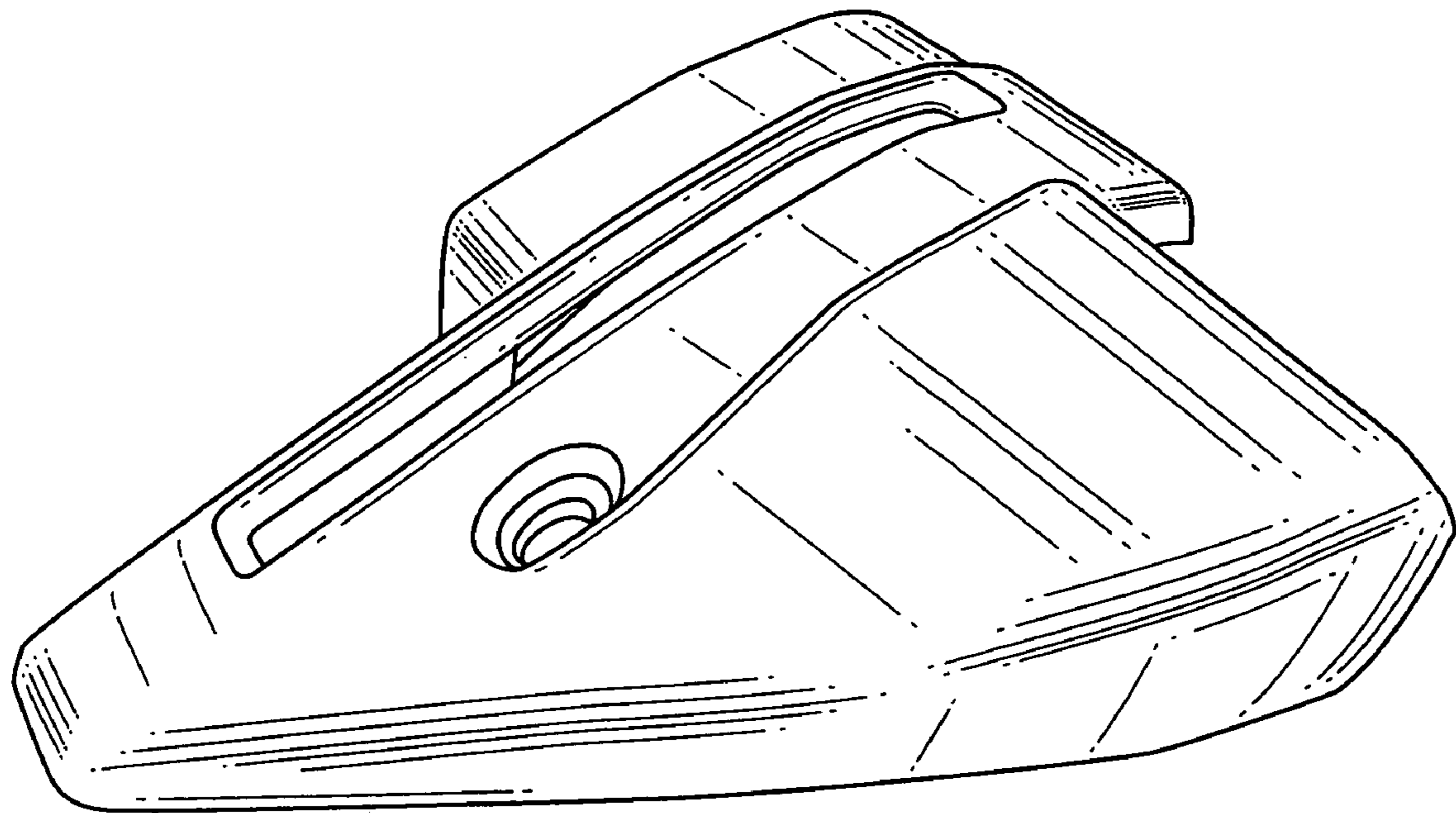


Fig.2

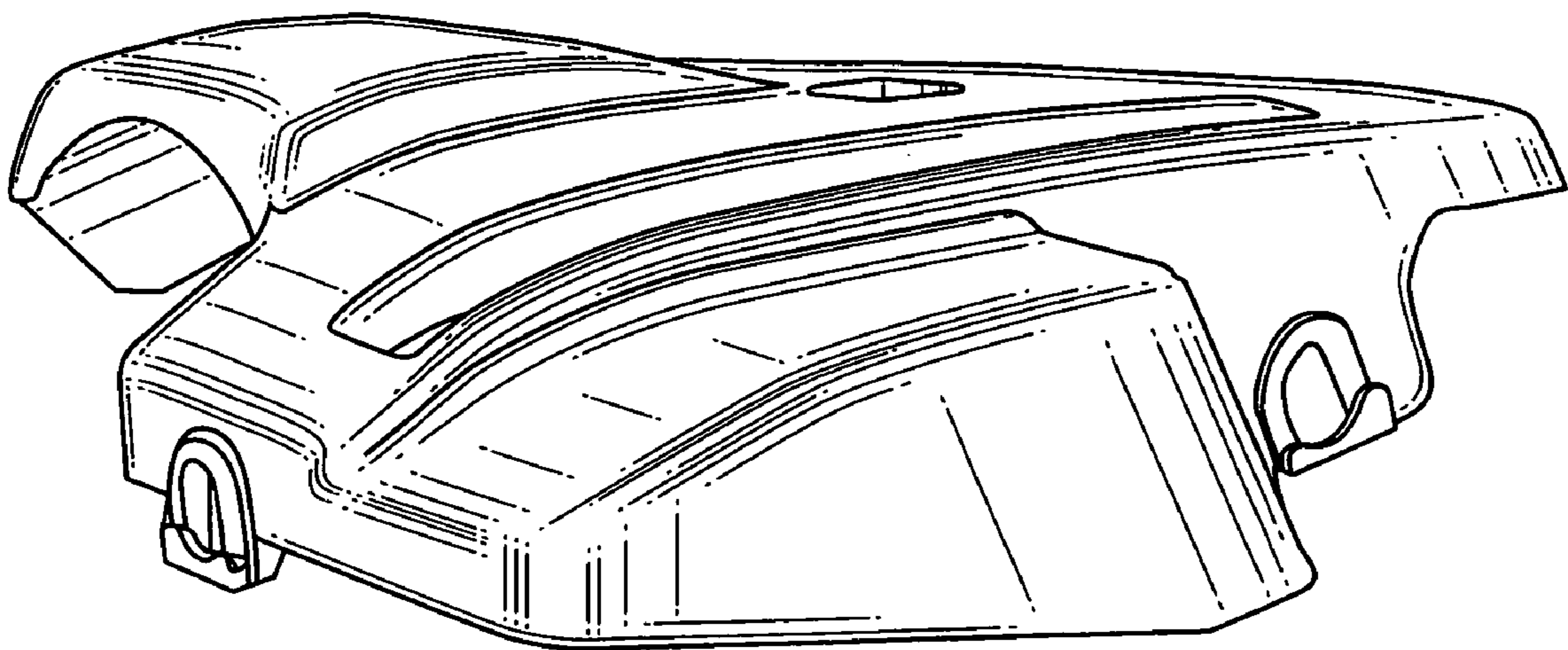


Fig.3

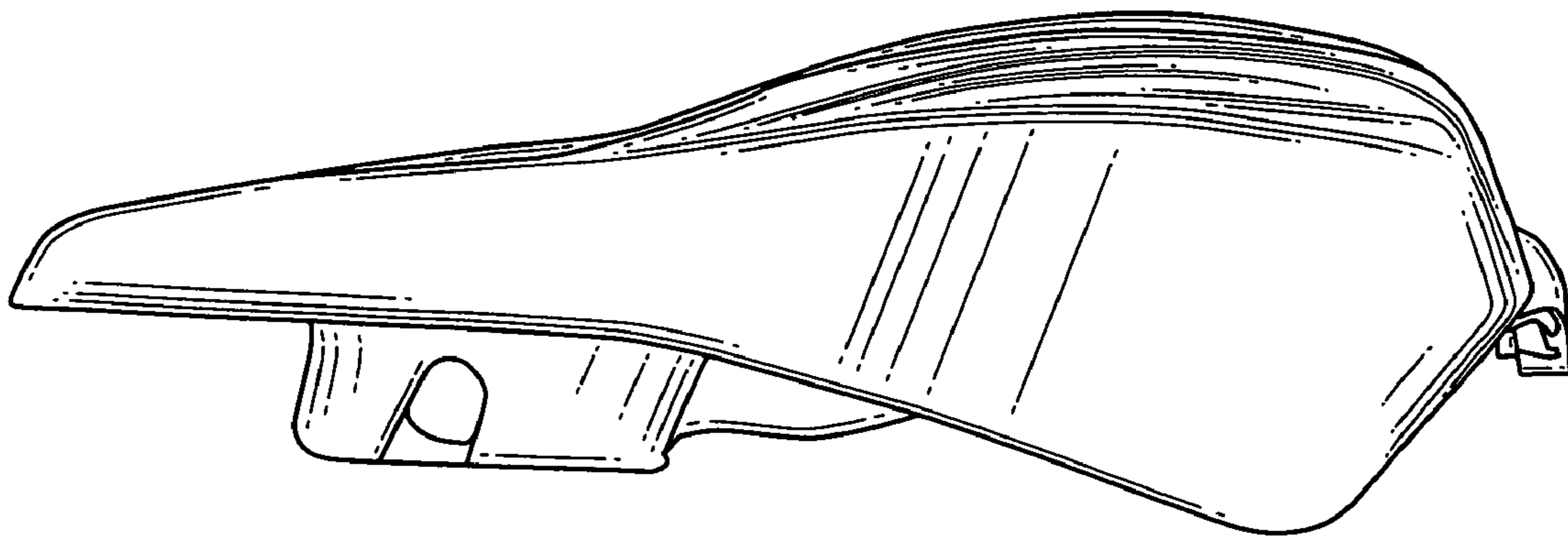


Fig.4

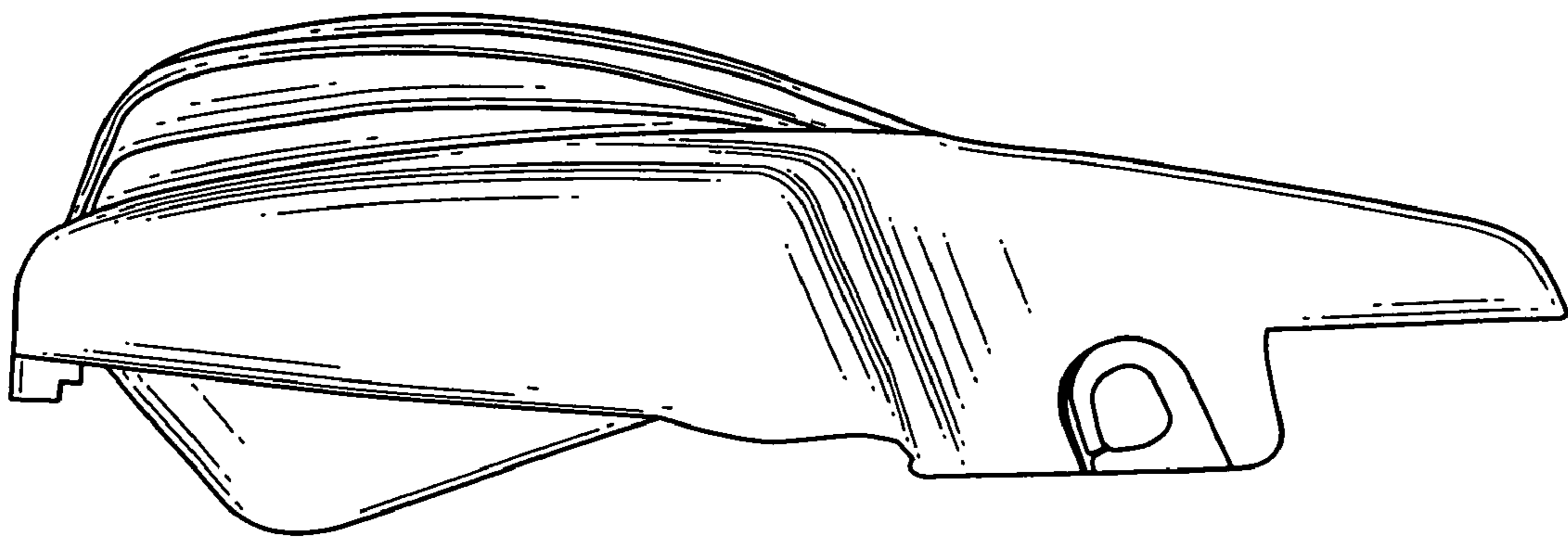


Fig.5

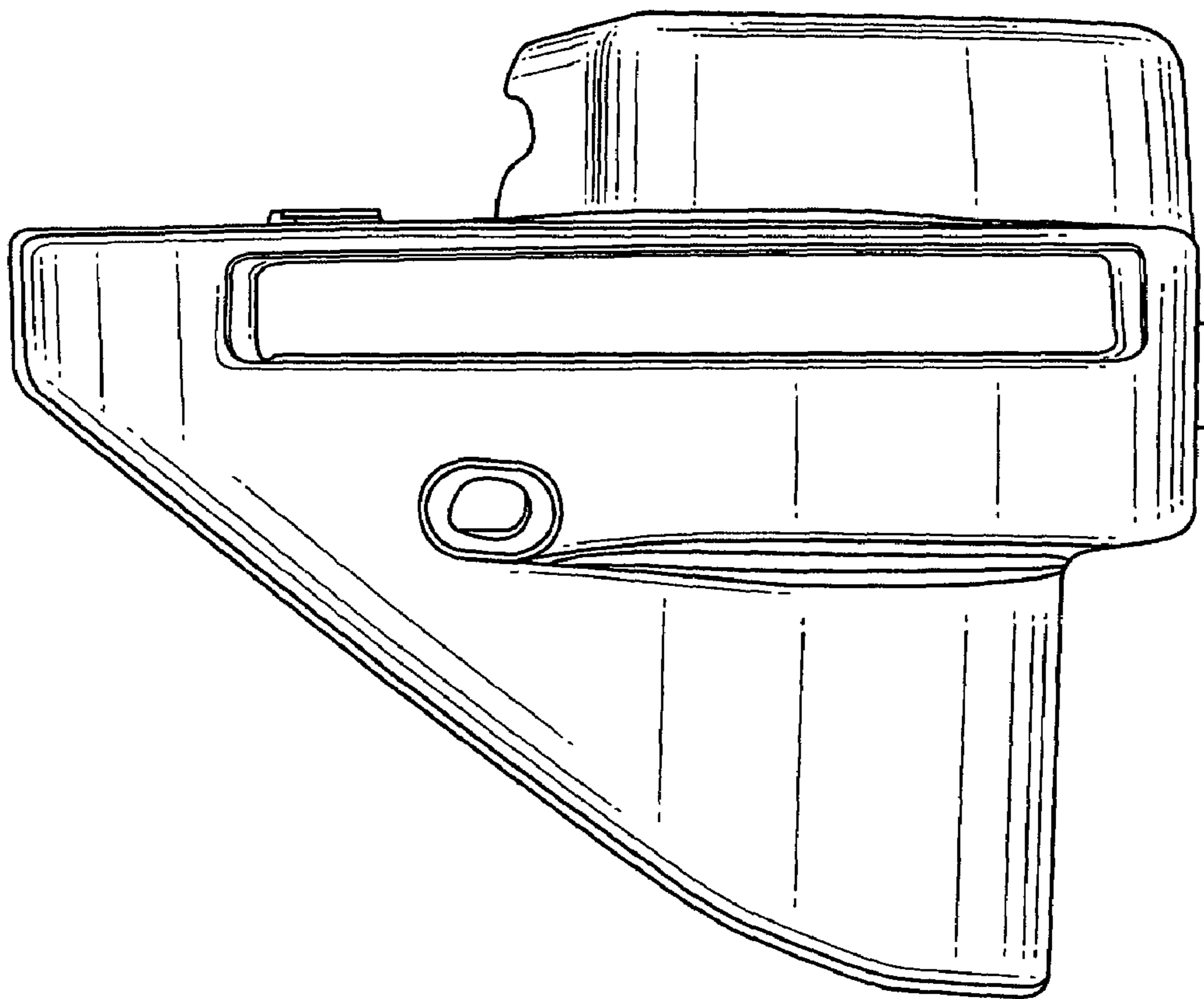


Fig.6

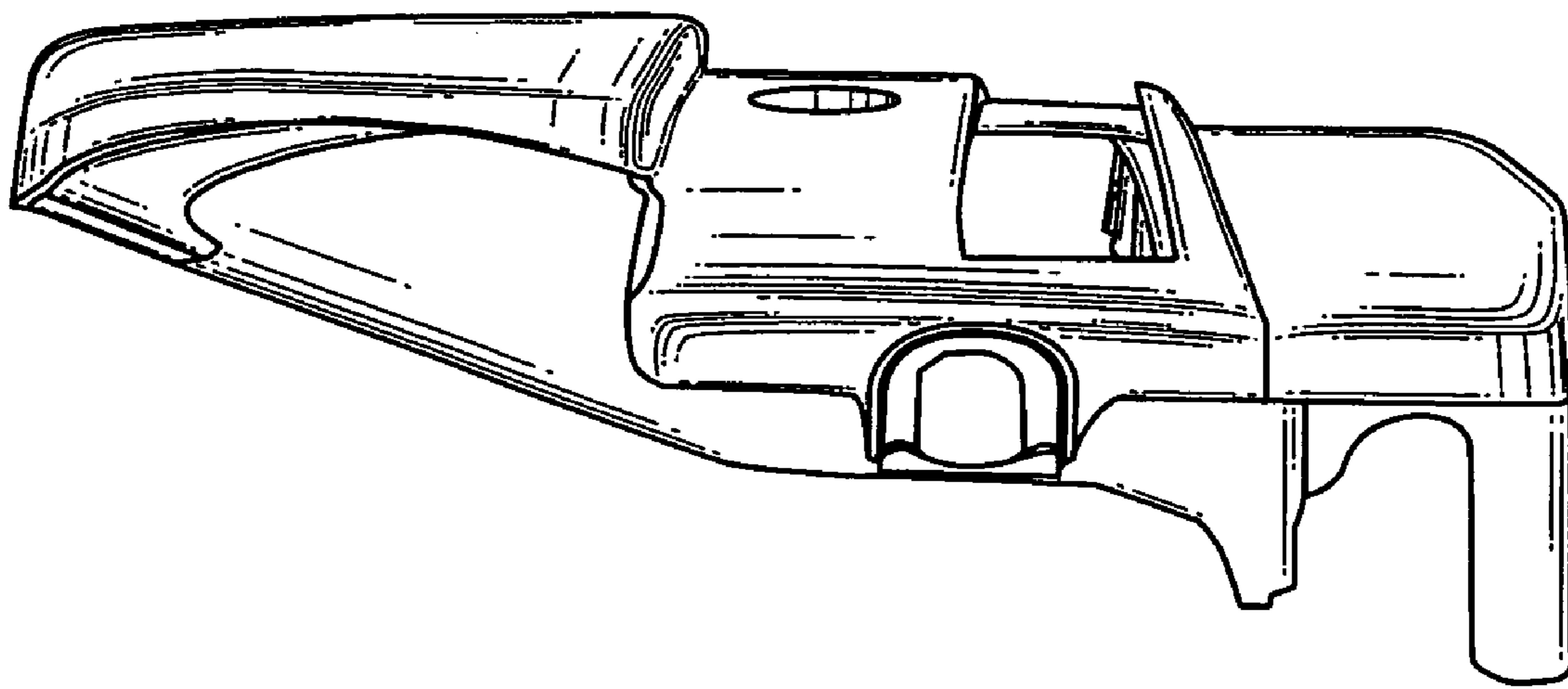


Fig.7

