



US00D566121S

(12) **United States Design Patent**
Yow et al.

(10) **Patent No.:** **US D566,121 S**
(45) **Date of Patent:** **** Apr. 8, 2008**

(54) **CONTROL BUTTONS FOR VIDEO GAME CONTROLLER**

D470,500 S * 2/2003 Nemoto et al. D14/455
D522,514 S * 6/2006 Norman D14/397
D545,317 S * 6/2007 Wang et al. D14/401
D550,359 S * 9/2007 Ogiwara D24/158

(76) Inventors: **Raymond Yow**, 7661 Coffeeberry Dr.,
Corona, CA (US) 92880; **Hong Lip Yow**, 7661 Coffeeberry Dr., Corona, CA
(US) 92880

* cited by examiner

Primary Examiner—Cathron C. Brooks

Assistant Examiner—Angela J Lee

(74) *Attorney, Agent, or Firm*—Oswald & Yap, APC; Jay Y. Chiu

(**) Term: **14 Years**

(21) Appl. No.: **29/285,522**

(22) Filed: **Mar. 30, 2007**

(57) **CLAIM**

The ornamental design for control buttons for video game controller, as shown and described.

(51) **LOC (8) Cl.** **14-02**

(52) **U.S. Cl.** **D14/456; D14/401**

(58) **Field of Classification Search** D14/454,
D14/455, 456, 439, 432, 390, 391, 392, 393,
D14/394, 395, 396, 397, 398, 399, 400, 401,
D14/406, 429, 137, 138, 140, 150, 151, 217,
D14/218, 247, 248, 346; D21/324, 326,
D21/327, 328, 329, 330, 331, 332, 333; D18/7,
D18/12.2, 52; 178/17 A, 17 C; 345/168,
345/169; 400/489, 492; 455/186.2, 556.2;
D13/168

See application file for complete search history.

DESCRIPTION

FIG. 1 is a top rear perspective view of control buttons for video game controller showing our new design;

FIG. 2 is a top front perspective view thereof;

FIG. 3 is an enlarged top front perspective view thereof;

FIG. 4 is a top left perspective view thereof; and,

FIG. 5 is a top right perspective view thereof.

The bottoms of the buttons are flat and unornamented.

The broken line showing of a video game controller is included for the purpose of illustrating environmental structure and forms no part of the claimed design.

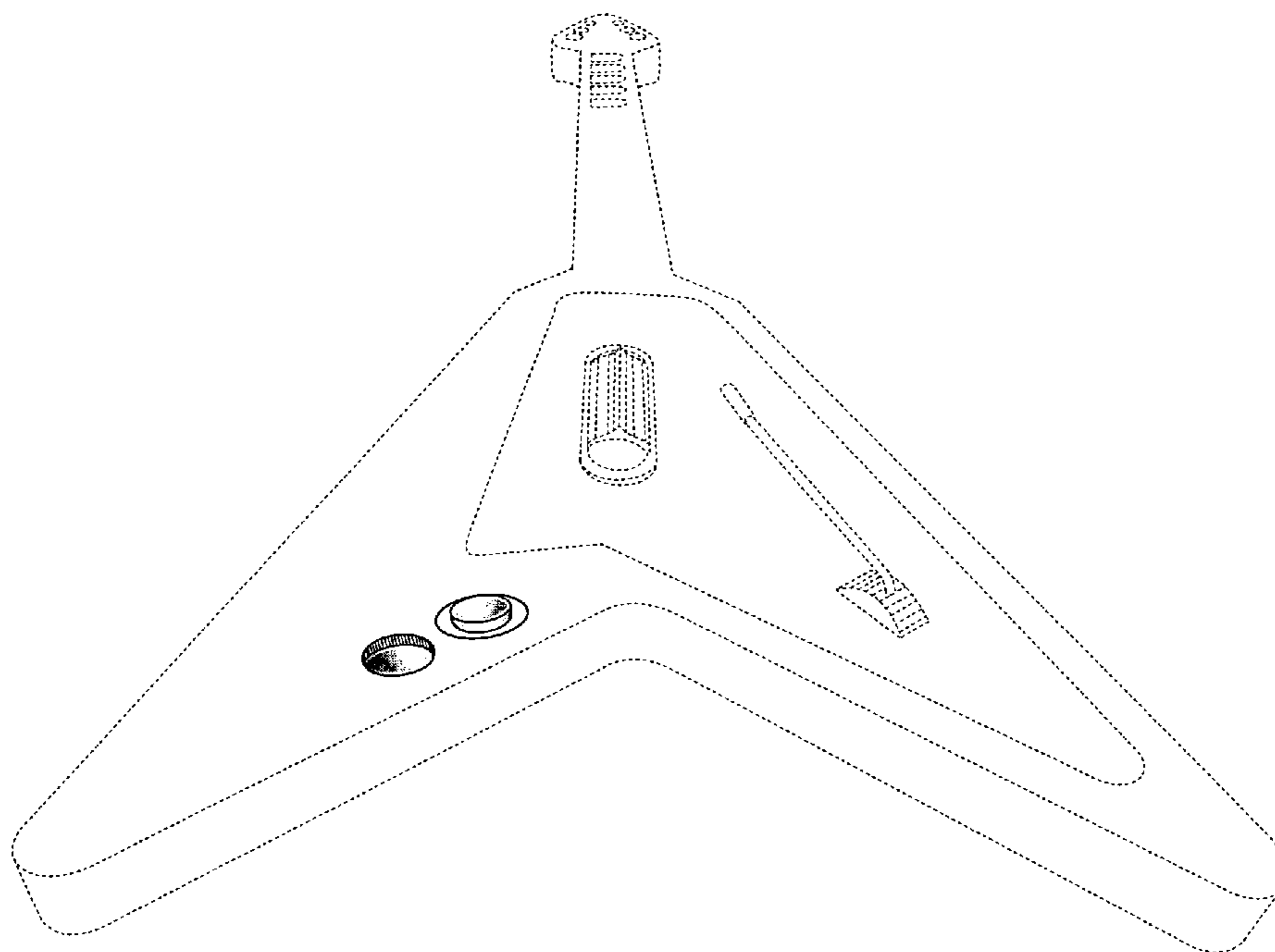
Our control buttons are characterized by one indented and one protruding button.

(56) **References Cited**

U.S. PATENT DOCUMENTS

D405,798 S * 2/1999 Shulman D14/218
D416,011 S * 11/1999 Miyahara et al. D14/439
D427,244 S * 6/2000 Muraki et al. D21/324
D427,593 S * 7/2000 Washington D14/338
D446,522 S * 8/2001 Han et al. D14/402

1 Claim, 5 Drawing Sheets



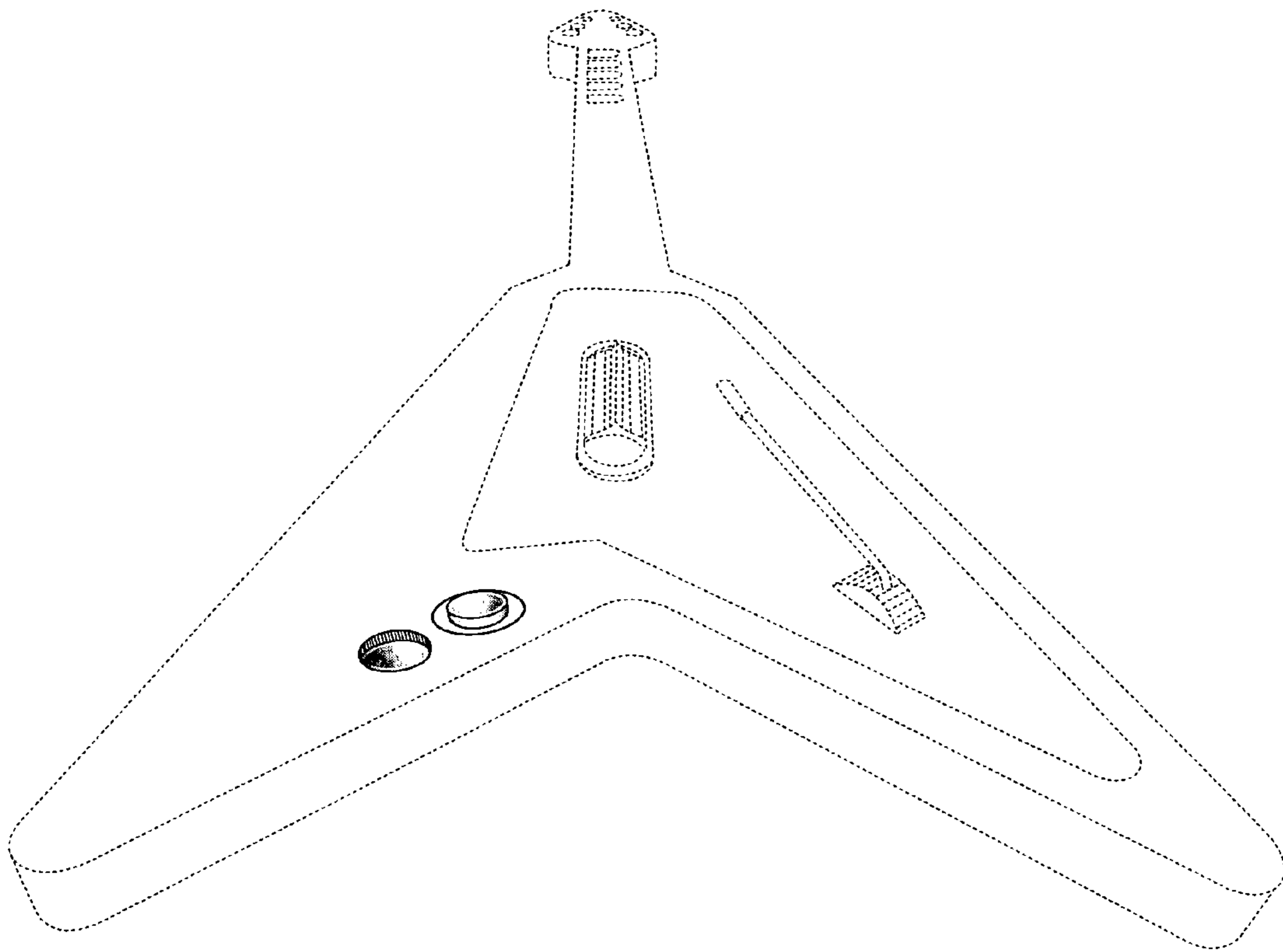


FIG. 1

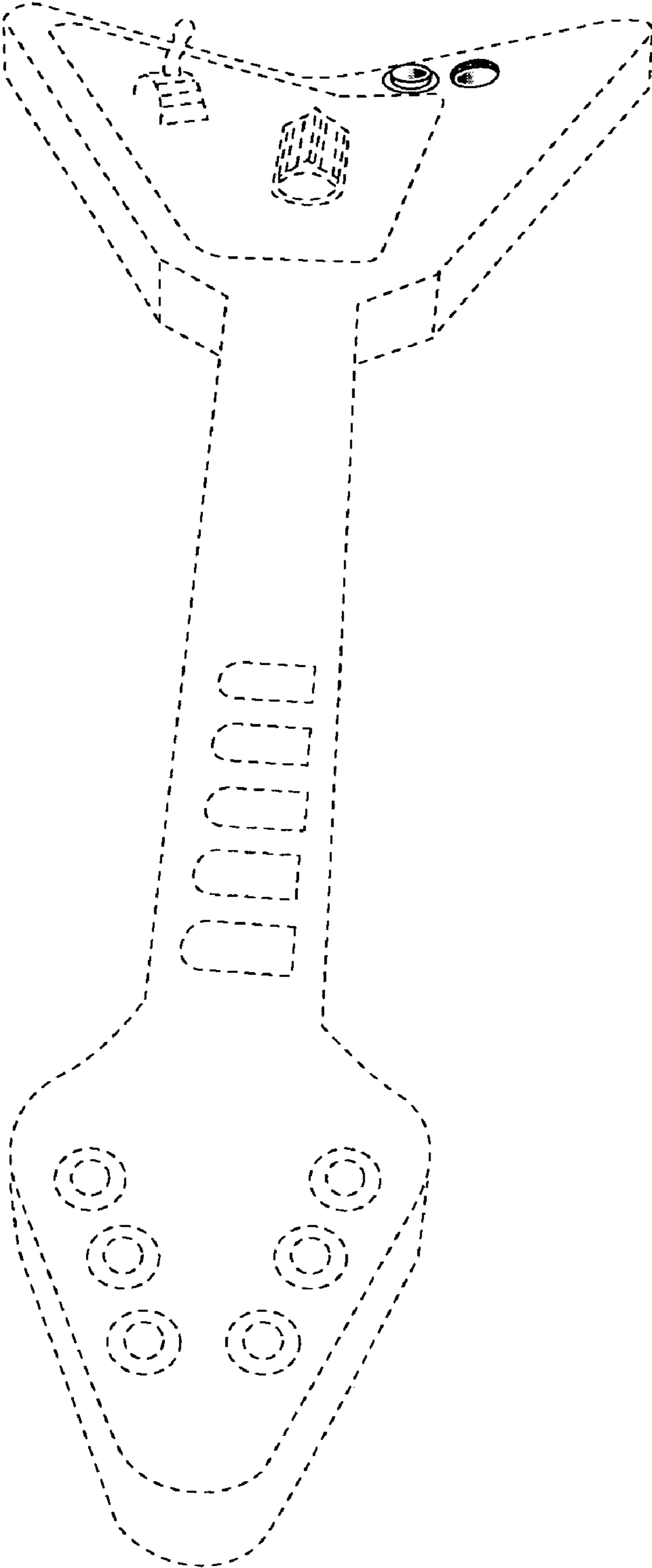


FIG. 2

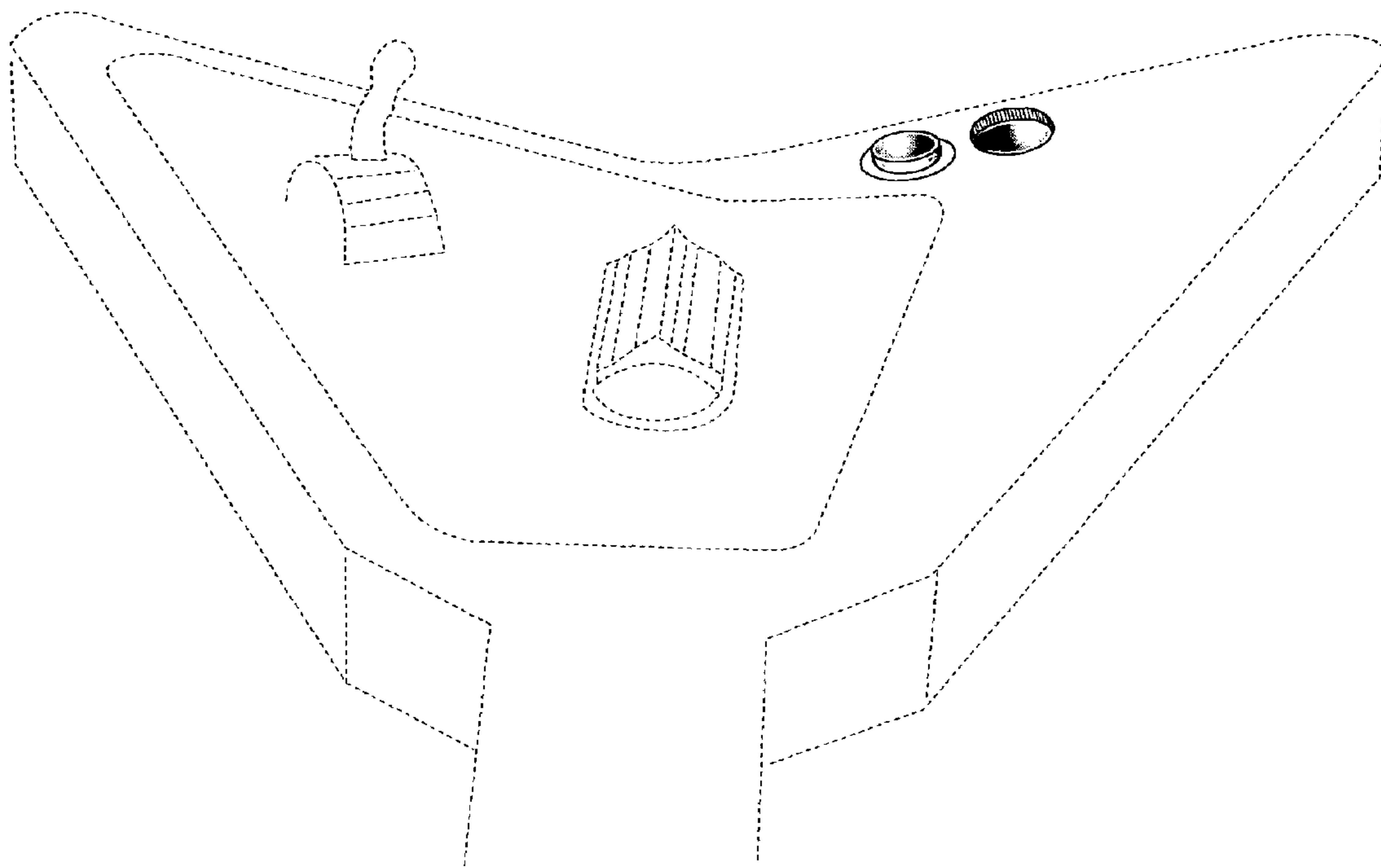


FIG. 3

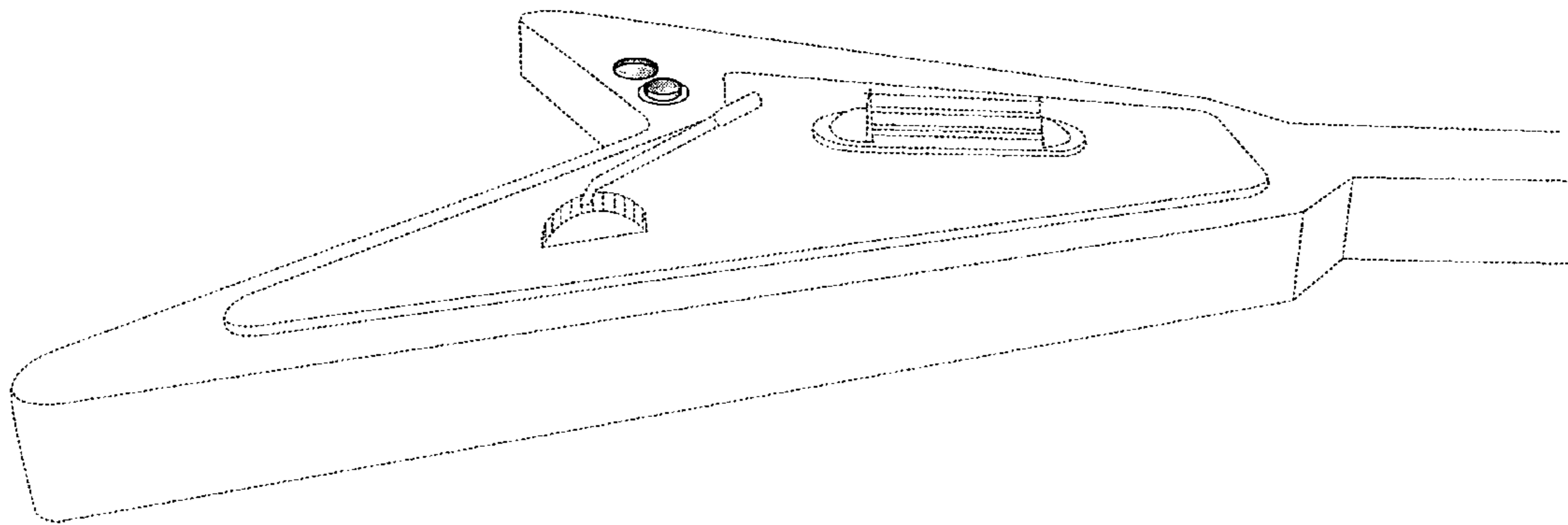


FIG. 4

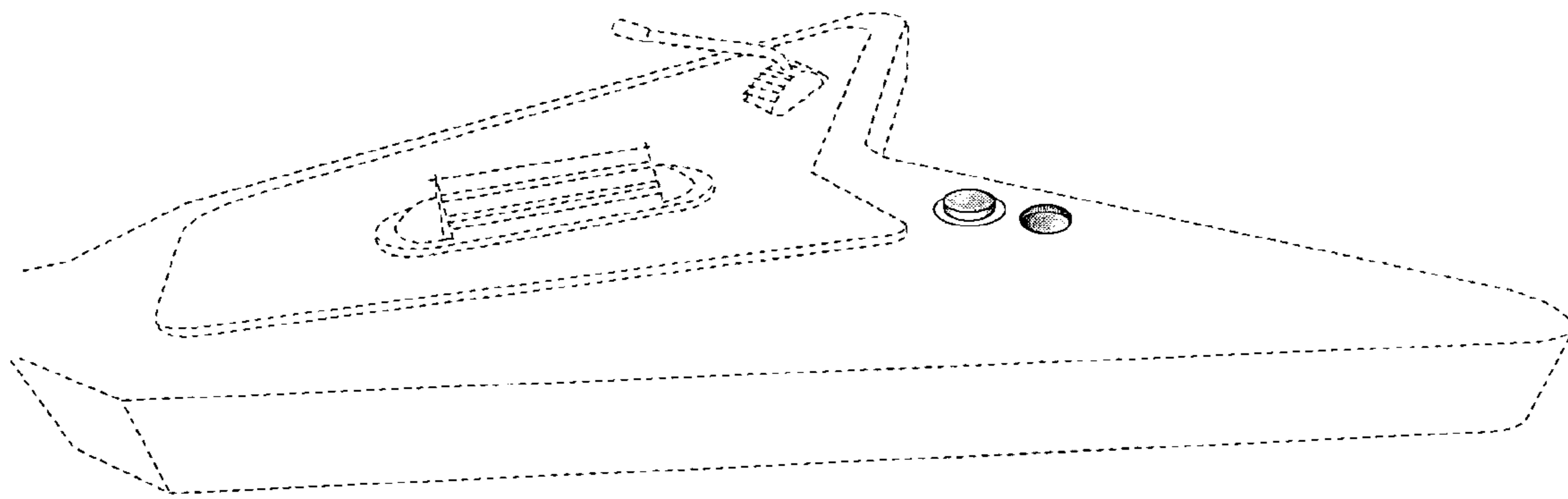


FIG. 5