



US00D566120S

(12) **United States Design Patent**
Dearborn et al.

(10) **Patent No.:** **US D566,120 S**
(45) **Date of Patent:** **** Apr. 8, 2008**

(54) **STORAGE SYSTEM HOUSING BEZEL**

(75) Inventors: **Timothy C. Dearborn**, Lakeway, TX (US); **Glen Clifton**, Austin, TX (US); **Richard Crisp**, Austin, TX (US); **Scott Lauffer**, Austin, TX (US); **Timothy Uys**, Austin, TX (US)

(73) Assignee: **Dell Products L.P.**, Round Rock, TX (US)

(**) Term: **14 Years**

(21) Appl. No.: **29/249,557**

(22) Filed: **Oct. 12, 2006**

(51) **LOC (8) Cl.** **14-02**

(52) **U.S. Cl.** **D14/446**

(58) **Field of Classification Search** D14/441-446,
D14/356; D13/162, 184, 199; 312/223.2;
361/686, 690-696; 369/34.01, 36.01
See application file for complete search history.

(56) **References Cited**

U.S. PATENT DOCUMENTS

D428,892 S *	8/2000	Haimson	D14/441
D439,581 S	3/2001	Rarick et al.	D14/441
D455,152 S	4/2002	Caughlan et al.	D14/445
D460,457 S	7/2002	Caughlan et al.	D14/445
D461,816 S	8/2002	Caughlan et al.	D14/445

D462,349 S *	9/2002	Tanaka	D14/356
D474,187 S *	5/2003	Hsu	D14/445
D485,278 S	1/2004	Wang et al.	D14/446
D491,570 S	6/2004	Fan et al.	D14/445
D515,097 S *	2/2006	Chen et al.	D14/444
D542,294 S *	5/2007	Chen et al.	D14/445

* cited by examiner

Primary Examiner—Freda S Nunn

(74) *Attorney, Agent, or Firm*—Hamilton & Terrile, LLP; Stephen A. Terrile

(57) **CLAIM**

The ornamental design for a storage system housing bezel, as shown and described.

DESCRIPTION

FIG. 1 is a front perspective view of the storage system housing bezel comprising the present invention wherein broken lines are shown for illustrative purposes only and form no part of the claimed design;

FIG. 2 is a front side view thereof;

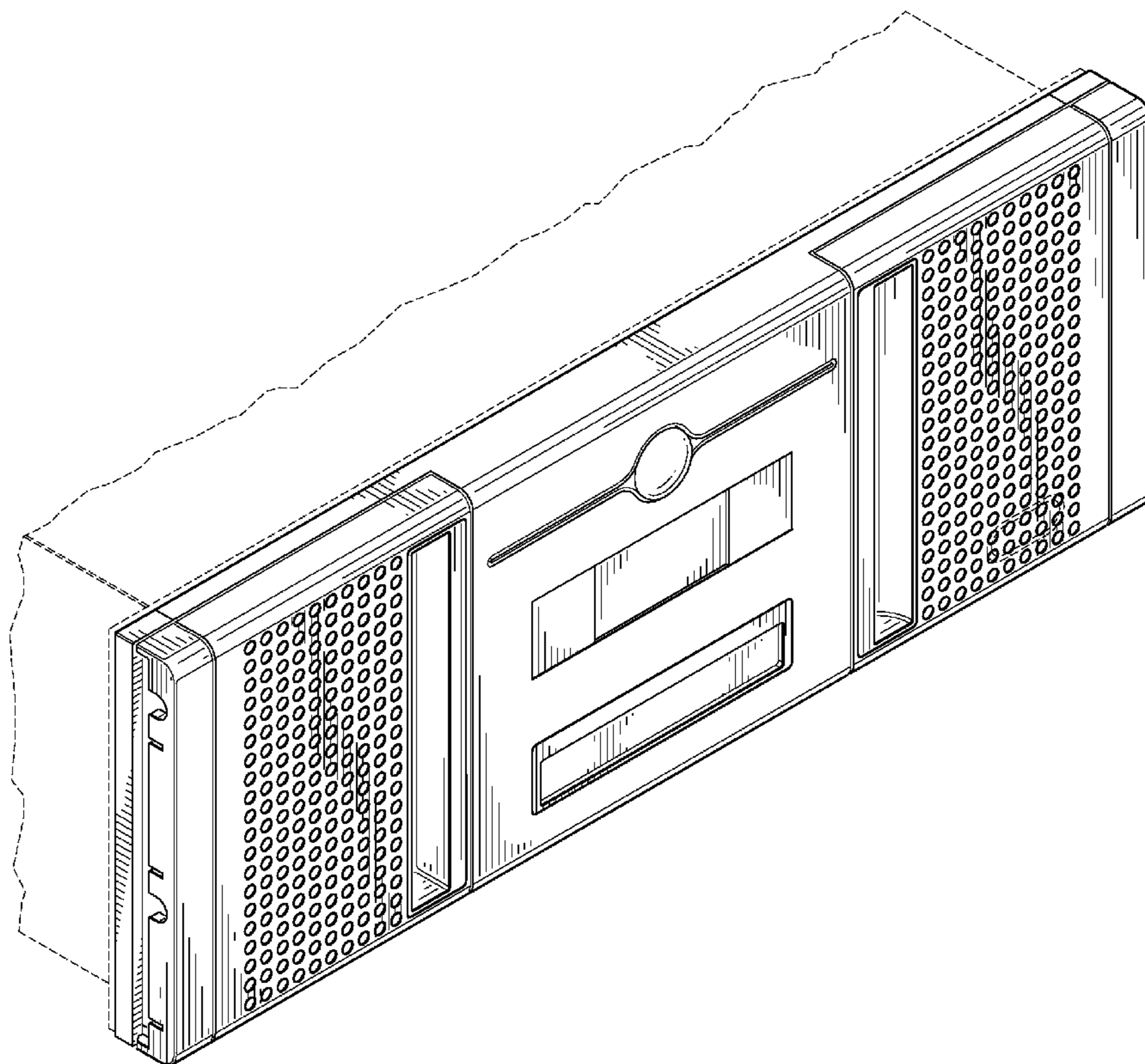
FIG. 3 is a right side view thereof;

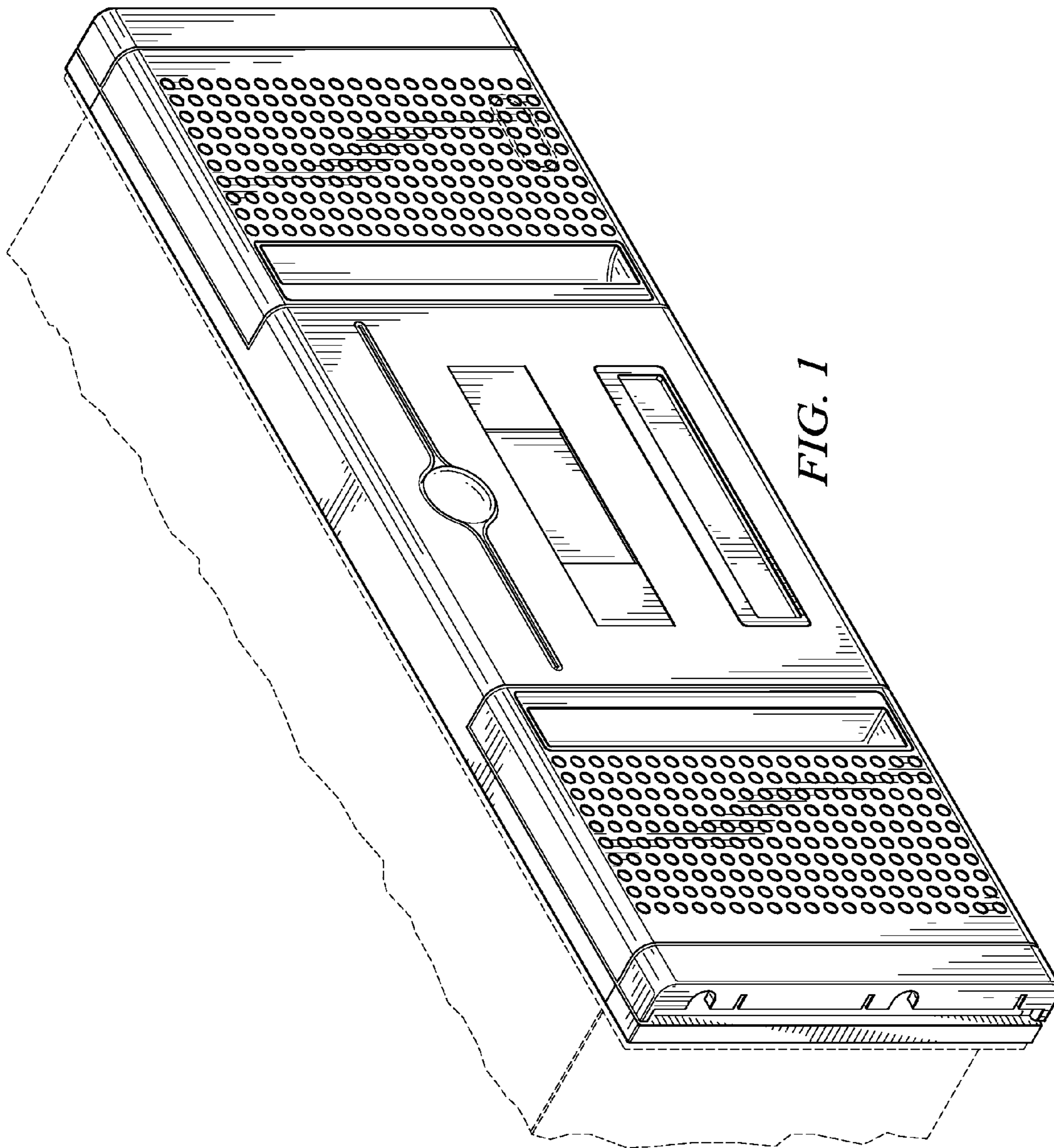
FIG. 4 is a left side view thereof;

FIG. 5 is a top plan view thereof; and,

FIG. 6 is a bottom plan view thereof.

1 Claim, 3 Drawing Sheets





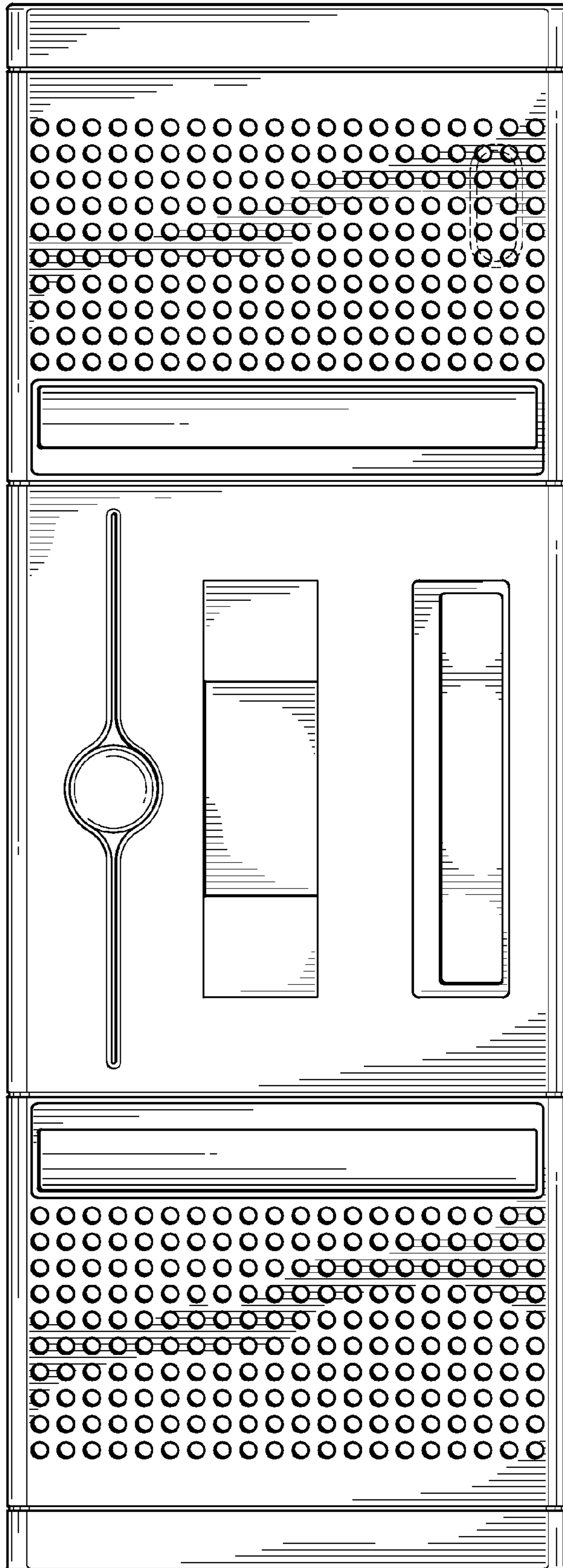


FIG. 2

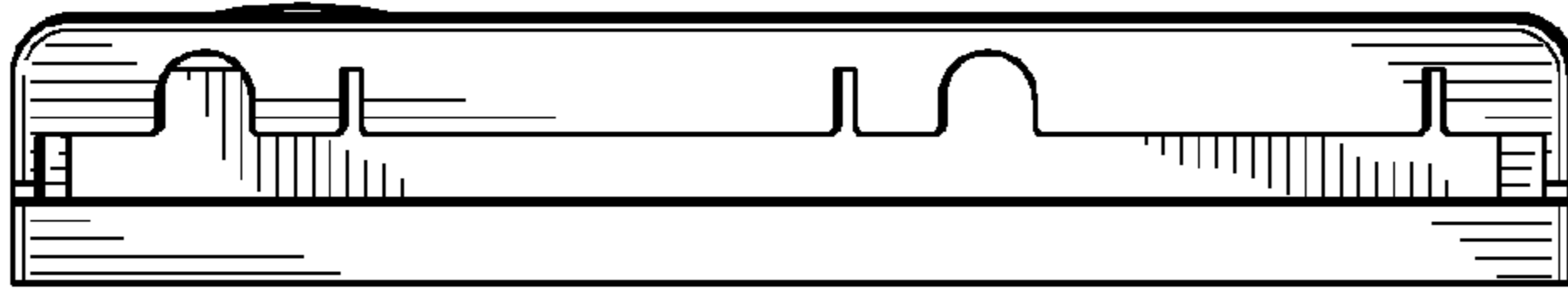


FIG. 4

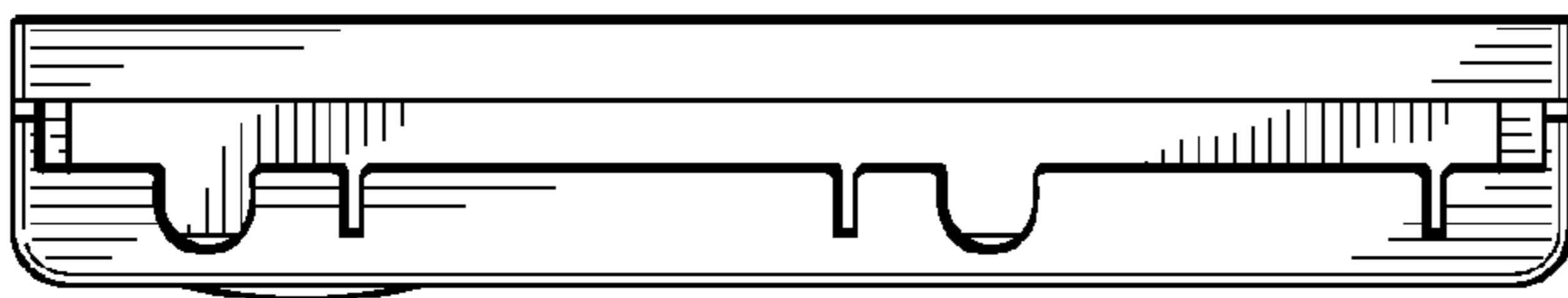


FIG. 3

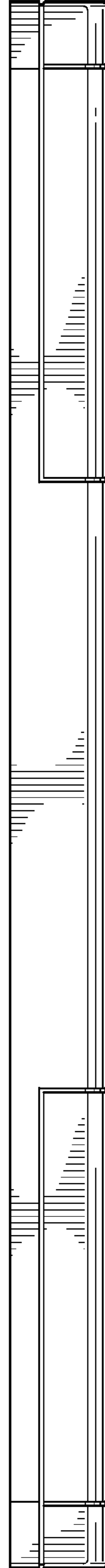


FIG. 5



FIG. 6