



US00D566118S

(12) **United States Design Patent**  
**Brassard**

(10) **Patent No.:** **US D566,118 S**

(45) **Date of Patent:** **\*\* Apr. 8, 2008**

(54) **HOLDING APPARATUS**

(76) Inventor: **Paul Brassard**, 20 La Porte, Arcadia,  
CA (US) 91006

(\*\*) Term: **14 Years**

(21) Appl. No.: **29/225,689**

(22) Filed: **Mar. 17, 2005**

(51) **LOC (8) Cl.** ..... **14-02**

(52) **U.S. Cl.** ..... **D14/434**

(58) **Field of Classification Search** ..... D14/434,  
D14/447, 432, 433, 385, 357; D13/199,  
D13/107, 108, 118; 361/600, 679, 683, 686;  
200/6 R; 206/701; 320/113-115  
See application file for complete search history.

(56) **References Cited**

**U.S. PATENT DOCUMENTS**

5,248,264	A *	9/1993	Long et al. ....	439/347
D415,133	S *	10/1999	Mah .....	D14/432
D429,242	S *	8/2000	Sun .....	D14/253
D429,487	S *	8/2000	Loh et al. ....	D14/447
D431,250	S *	9/2000	Richter .....	D14/447

D456,024	S *	4/2002	Richter .....	D14/434
D469,438	S *	1/2003	Corrales .....	D14/432
D470,146	S *	2/2003	Tan et al. ....	D14/432
2003/0116631	A1 *	6/2003	Salvato et al. ....	235/472.01

\* cited by examiner

*Primary Examiner*—M. H. Tung

*Assistant Examiner*—Susan Moon Lee

(57) **CLAIM**

The ornamental design for a holding apparatus, as shown.

**DESCRIPTION**

FIG. 1 is a perspective view of a “holding apparatus” showing my new design;

FIG. 2 is a front view thereof;

FIG. 3 is a rear view thereof;

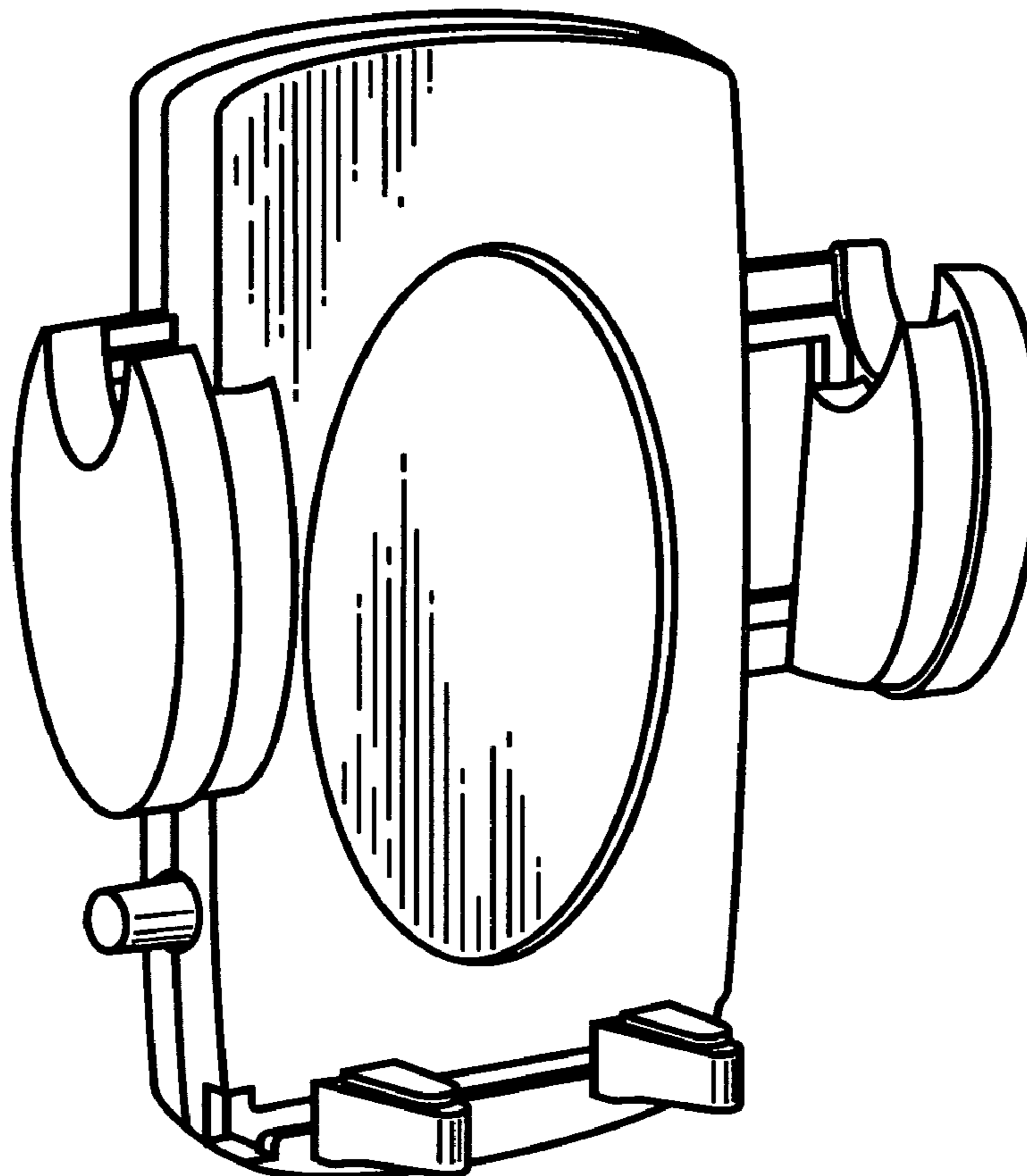
FIG. 4 is a right side view thereof;

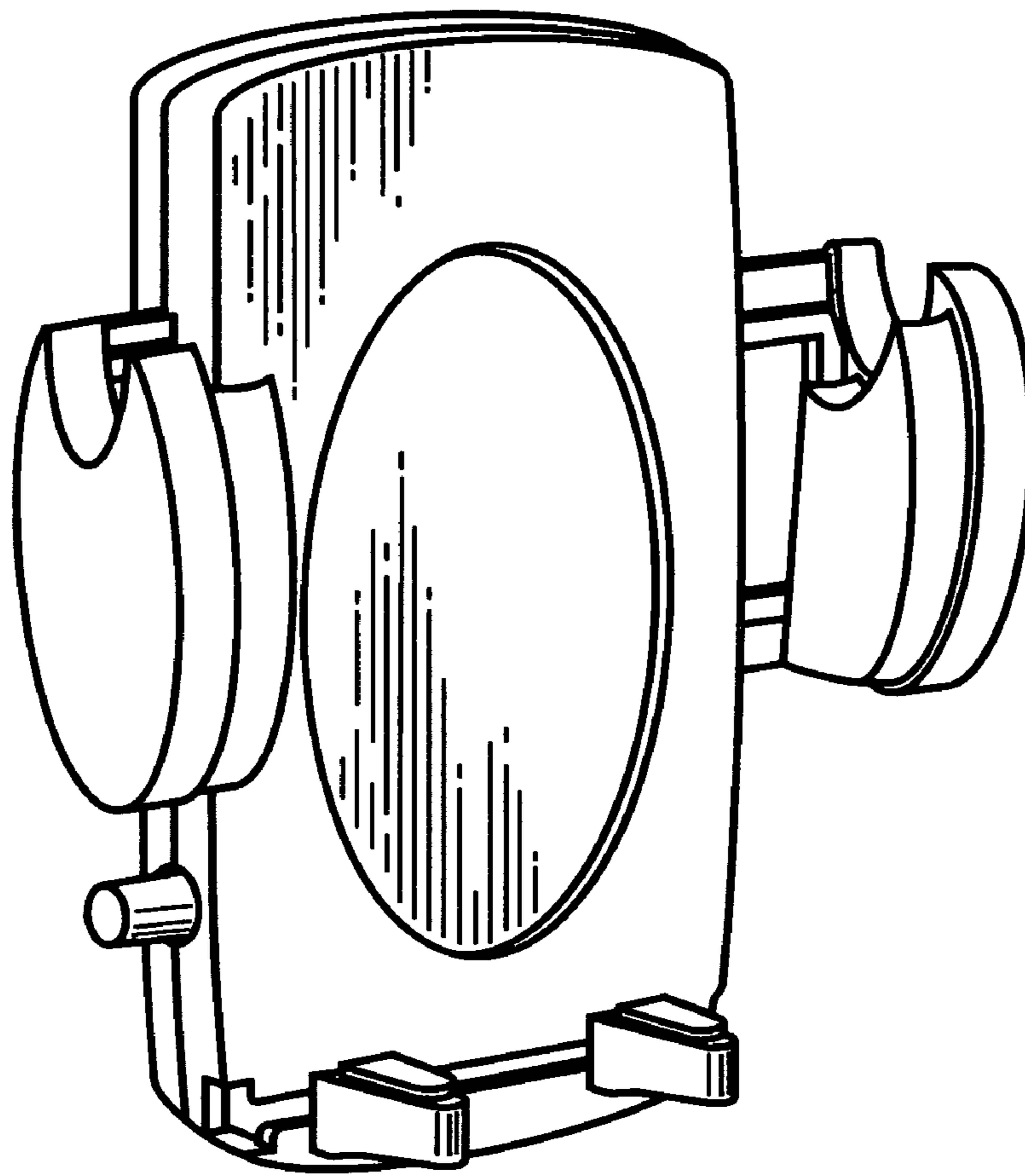
FIG. 5 is a left side view thereof;

FIG. 6 is a top plan view thereof; and,

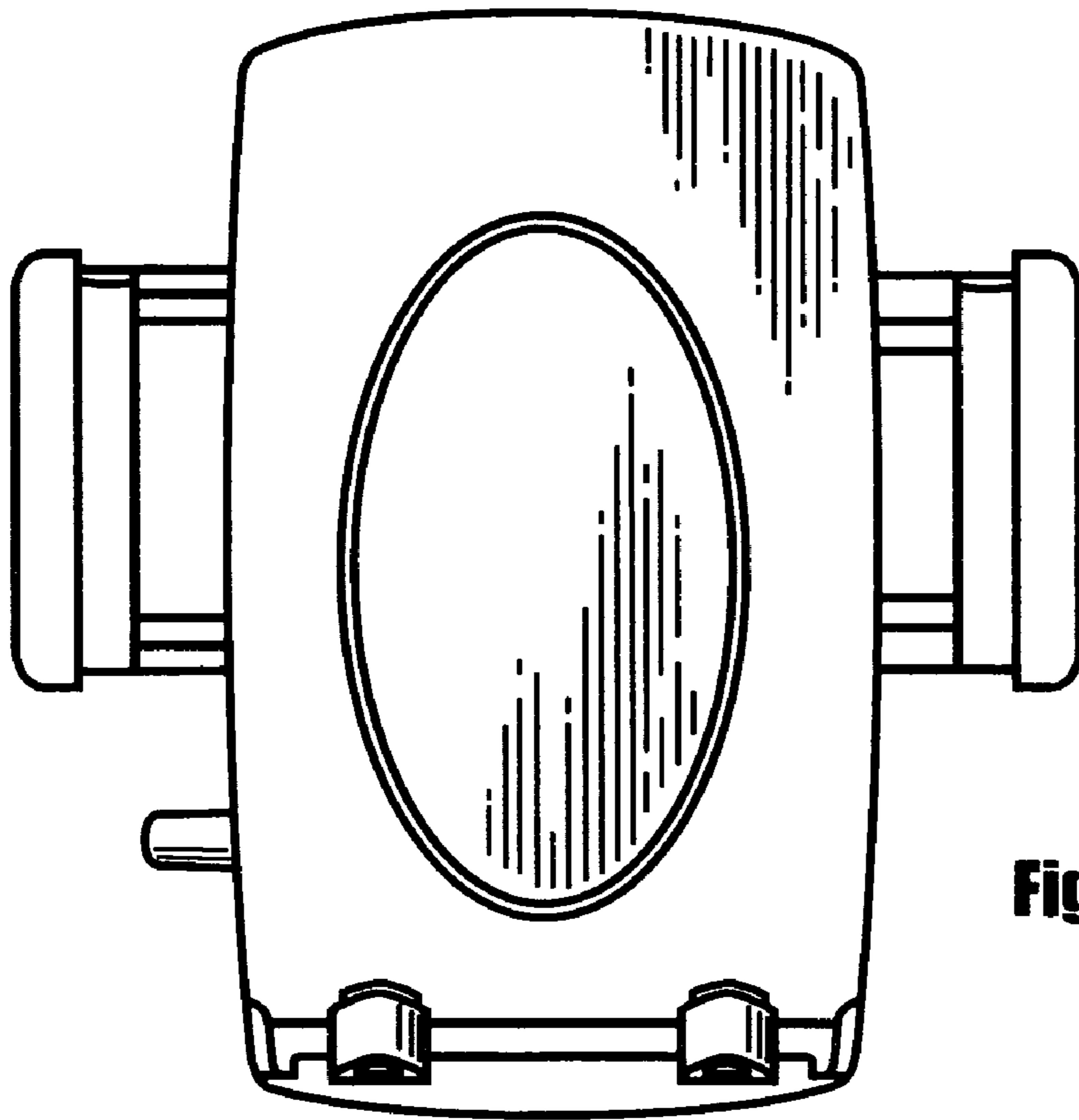
FIG. 7 is a bottom view thereof.

**1 Claim, 4 Drawing Sheets**

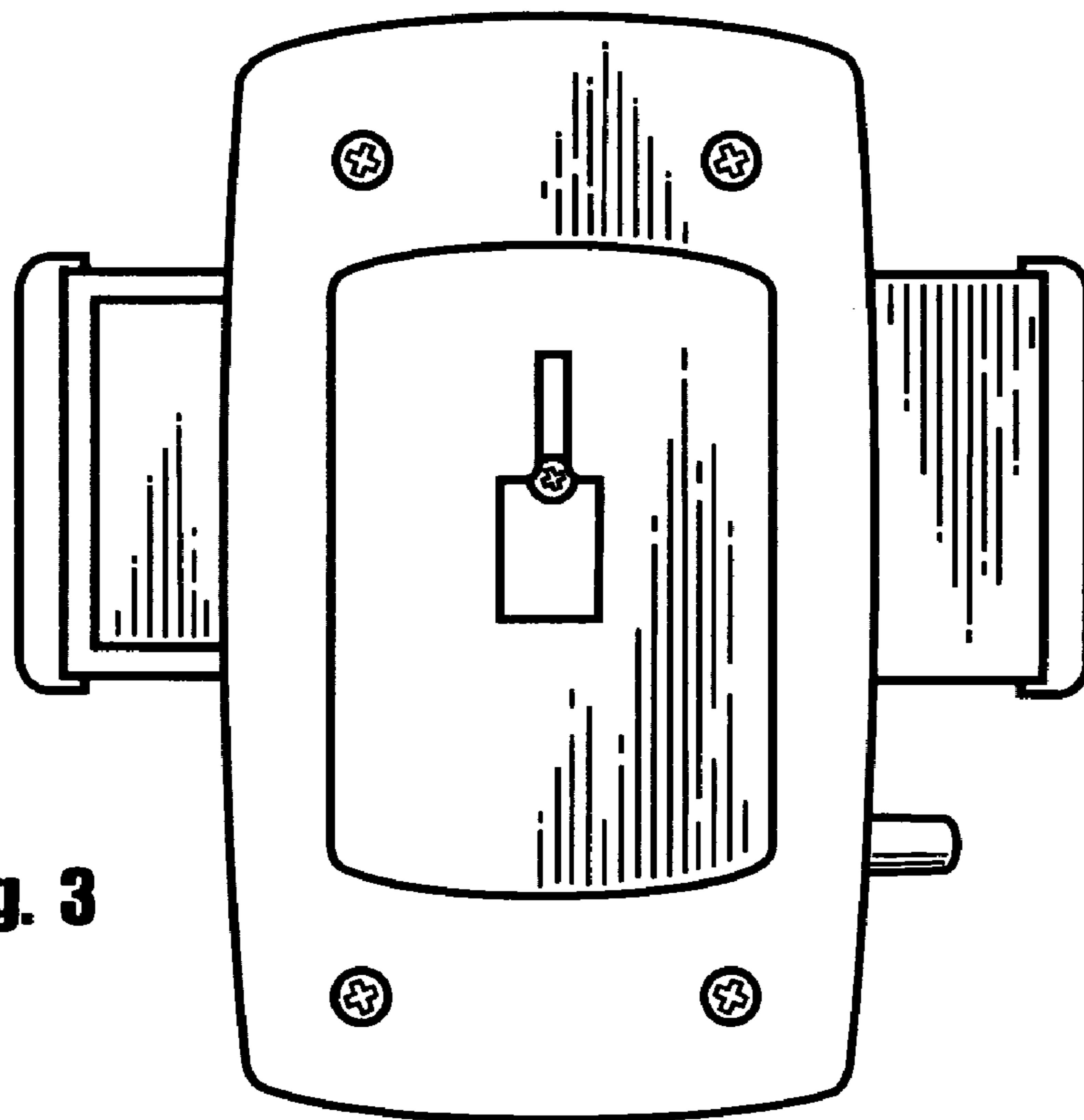




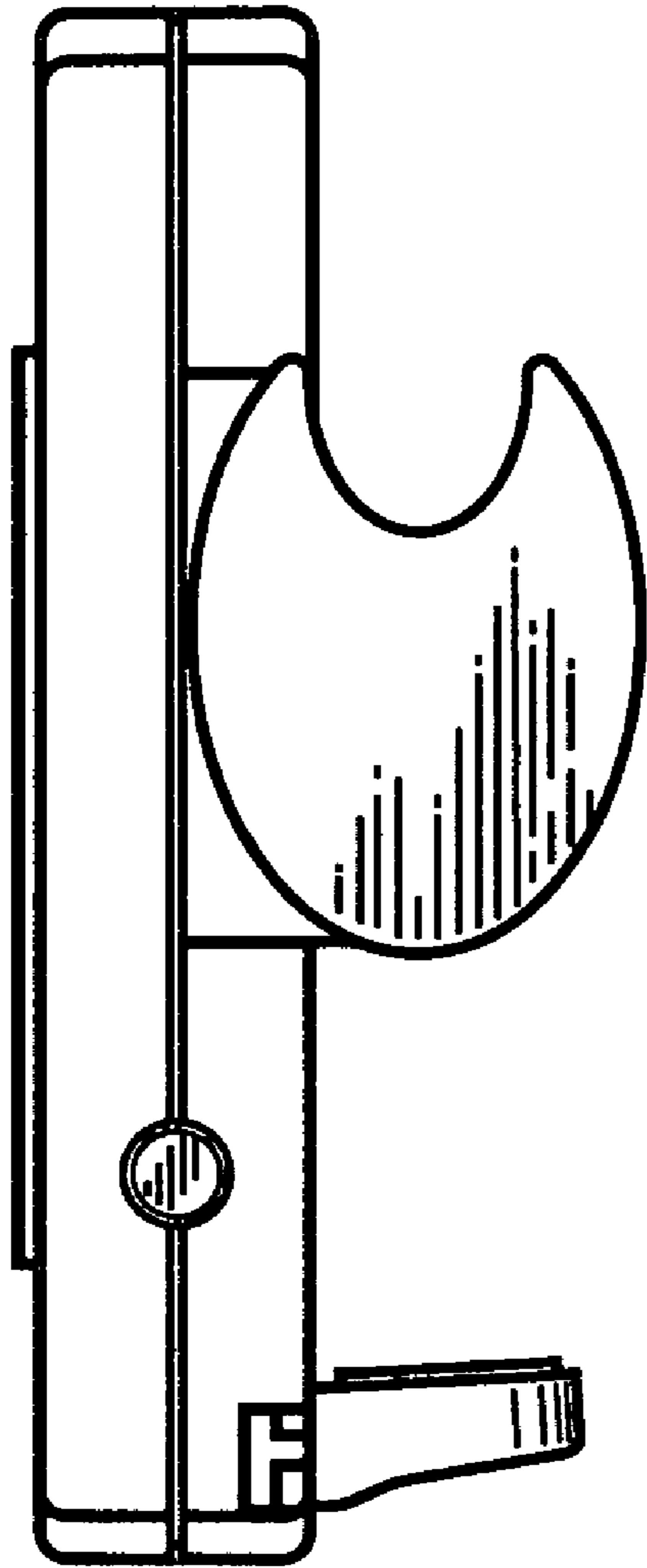
**Fig. 1**



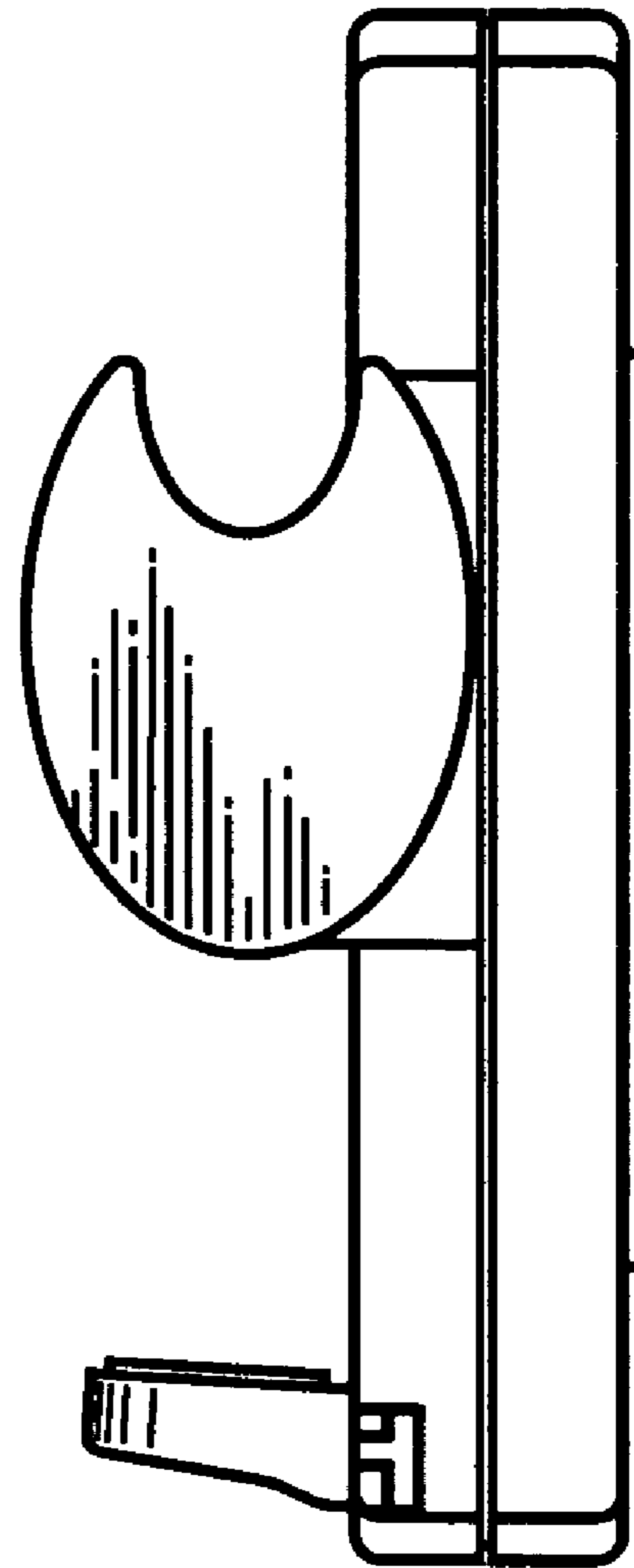
**Fig. 2**



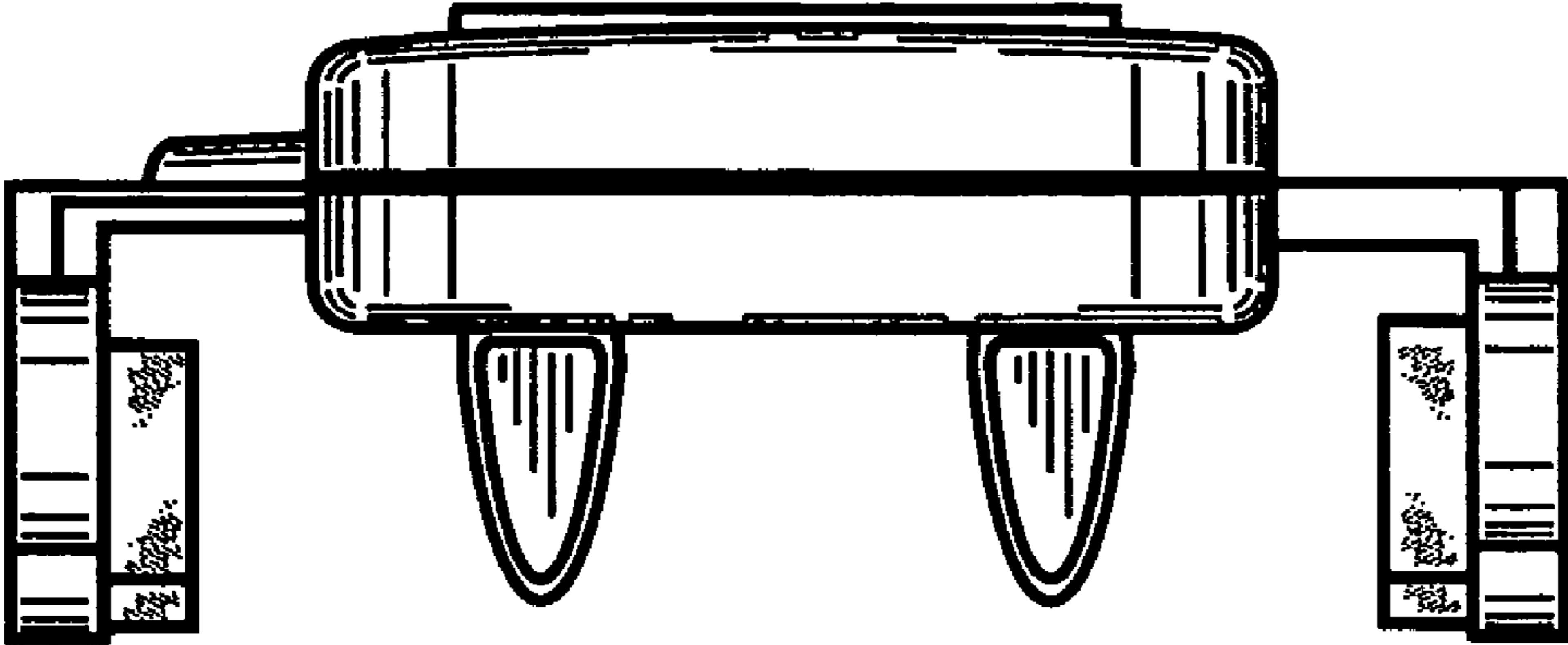
**Fig. 3**



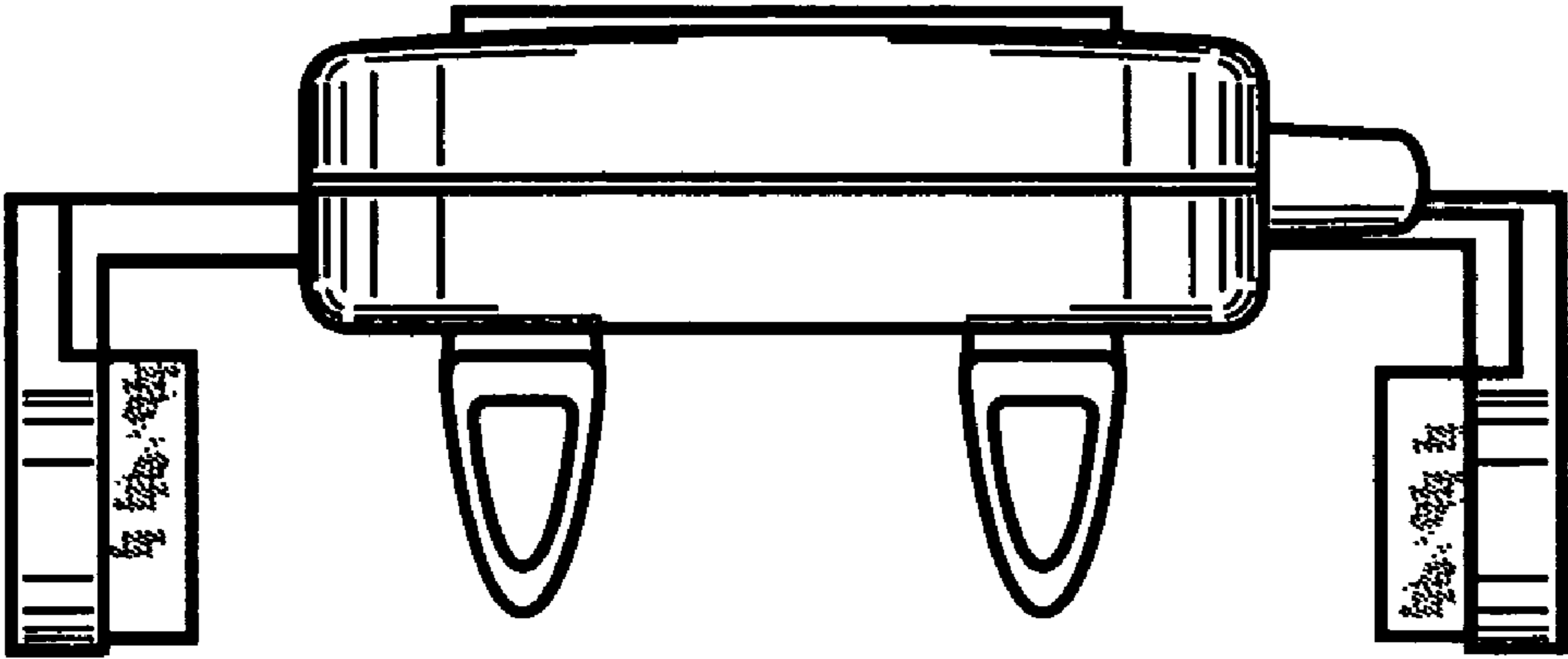
**fig. 4**



**fig. 5**



**Fig. 6**



**Fig. 7**