

US00D566117S

(12) **United States Design Patent**  
**Cheng**

(10) **Patent No.:** **US D566,117 S**

(45) **Date of Patent:** **\*\* \*Apr. 8, 2008**

(54) **AUDIO AND LIGHT KEYBOARD**

(75) Inventor: **Wen-Lung Cheng**, Taipei Hsien (TW)

(73) Assignee: **Sondyo Computer Co., Ltd.**, Xizhi,  
Taipei County 221 (TW)

(\* ) Notice: This patent is subject to a terminal disclaimer.

(\*\*) Term: **14 Years**

(21) Appl. No.: **29/260,934**

(22) Filed: **Jun. 2, 2006**

(51) **LOC (8) Cl.** ..... **14-02**

(52) **U.S. Cl.** ..... **D14/392**

(58) **Field of Classification Search** ..... D14/391-399,  
D14/204, 217, 221, 346, 455; D18/1, 2,  
D18/7, 11; 178/17 A, 17 C; 200/5 A, 5 R,  
200/6 A, 6 R; 235/145 A, 145 R; 345/160,  
345/168, 169; 341/22, 23; 400/484-489,  
400/492; D26/51, 52; 361/680-686

See application file for complete search history.

(56) **References Cited**

**U.S. PATENT DOCUMENTS**

D375,492 S \* 11/1996 Chung ..... D14/396

D386,754 S \* 11/1997 Gifford et al. .... D14/396  
D484,511 S \* 12/2003 Registre ..... D14/455  
D495,694 S \* 9/2004 Chase et al. .... D14/346  
D501,478 S \* 2/2005 Tzeng et al. .... D14/396  
2005/0128695 A1\* 6/2005 Han ..... 361/683

\* cited by examiner

*Primary Examiner*—Freda S Nunn

(57) **CLAIM**

I claim the ornamental design for an audio and light keyboard, as shown and described.

**DESCRIPTION**

FIG. 1 is a perspective view of an audio and light keyboard showing my new design;

FIG. 2 is a front elevational view thereof;

FIG. 3 is a rear elevational view thereof;

FIG. 4 is a left side view thereof;

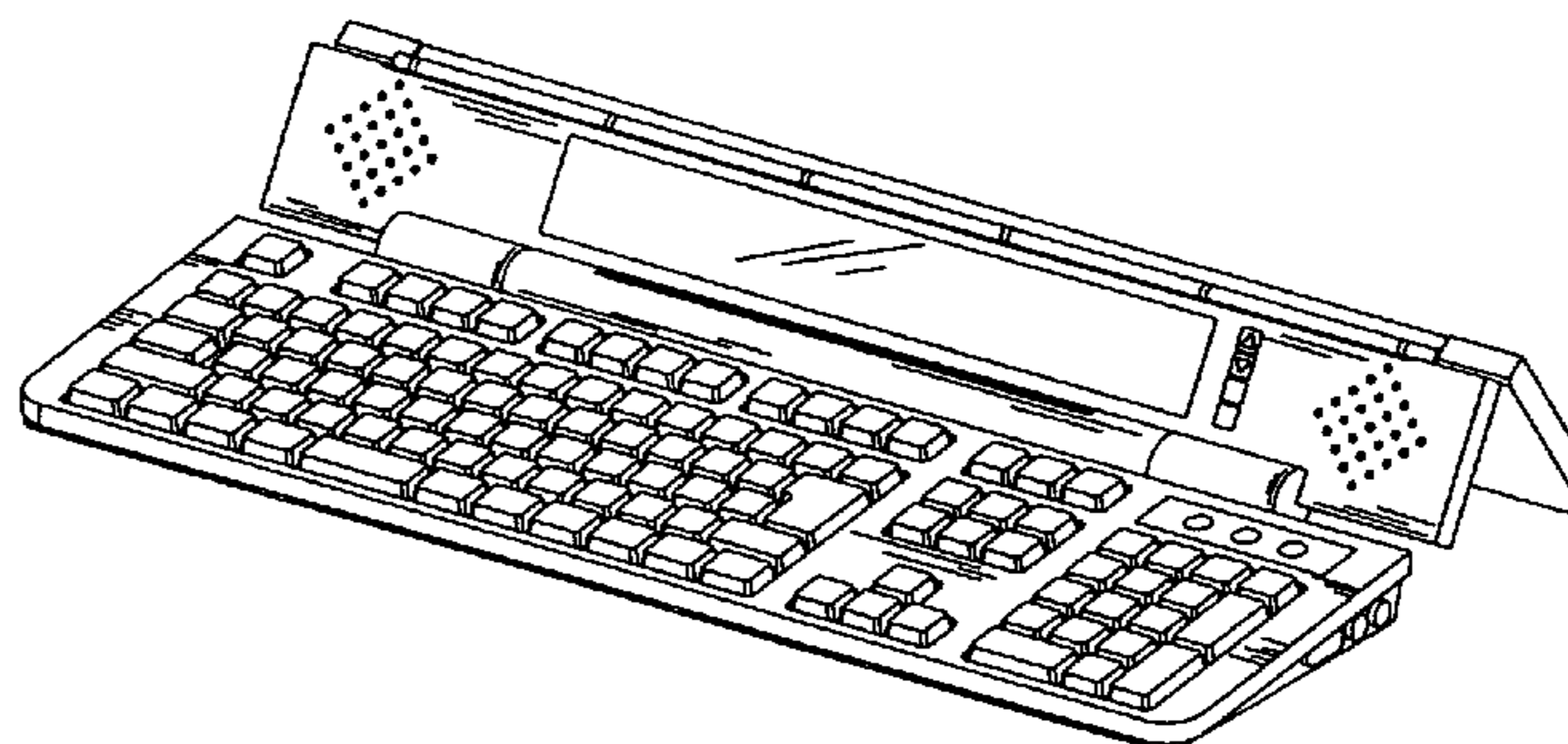
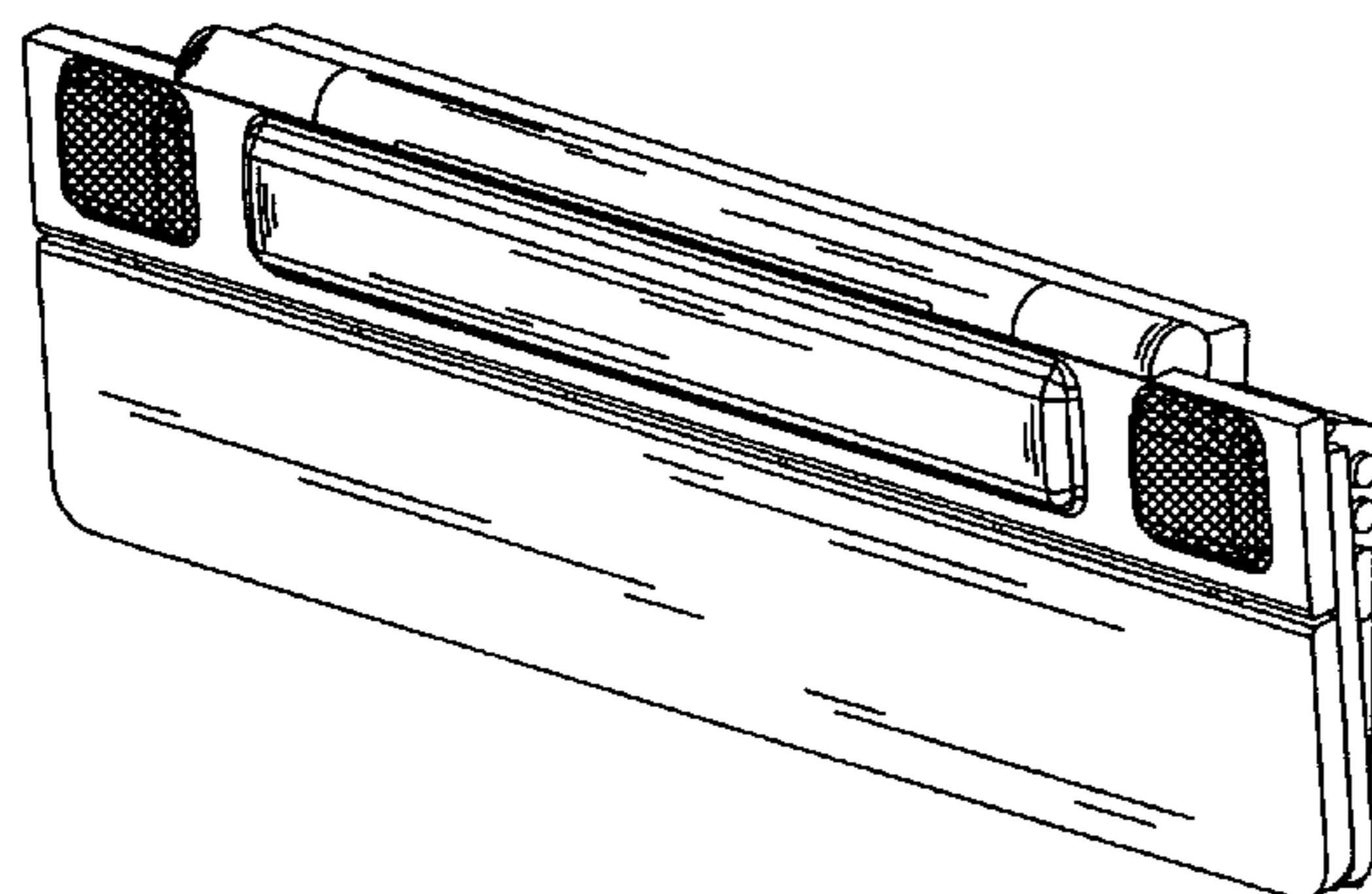
FIG. 5 is a right side view thereof;

FIG. 6 is a top plan view thereof; and

FIG. 7 is a bottom plan view thereof; and,

FIG. 8 is a perspective view thereof, which shows the inner structure of the keyboard.

**1 Claim, 8 Drawing Sheets**



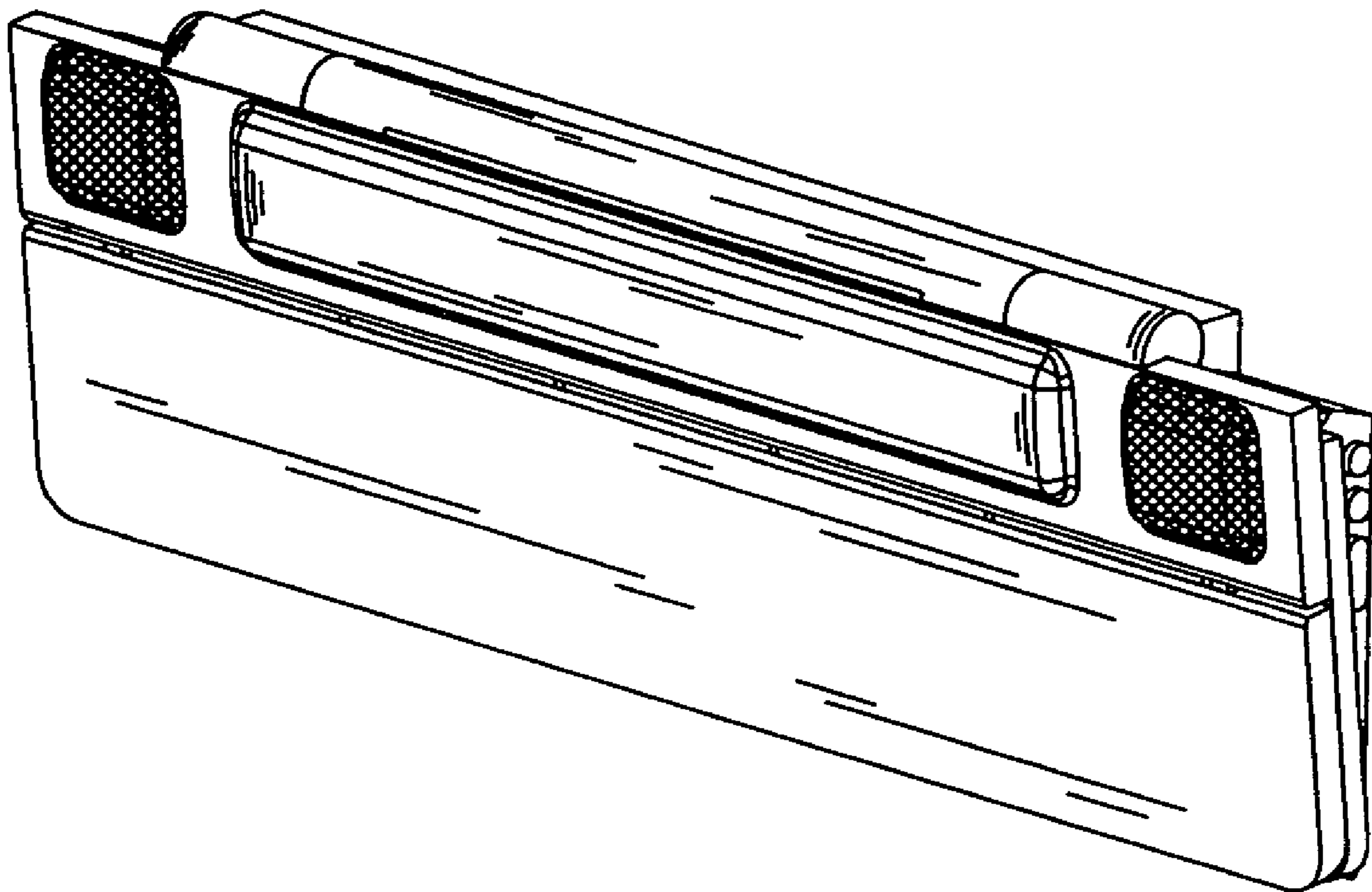


FIG. 1

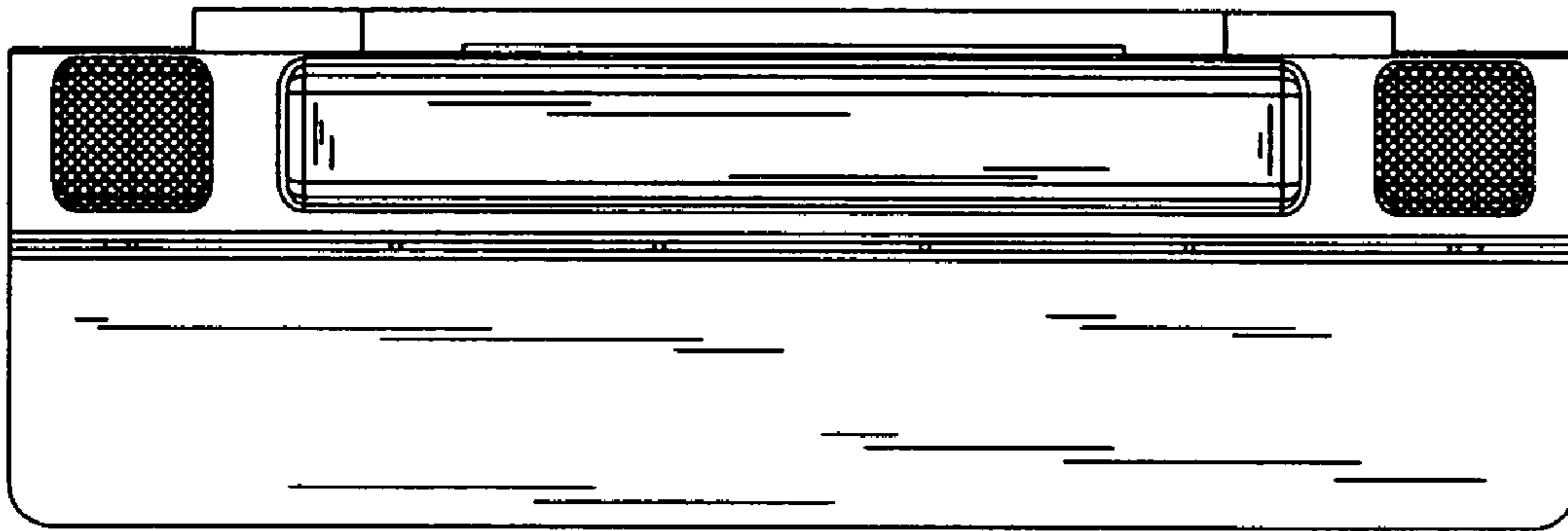


FIG. 2

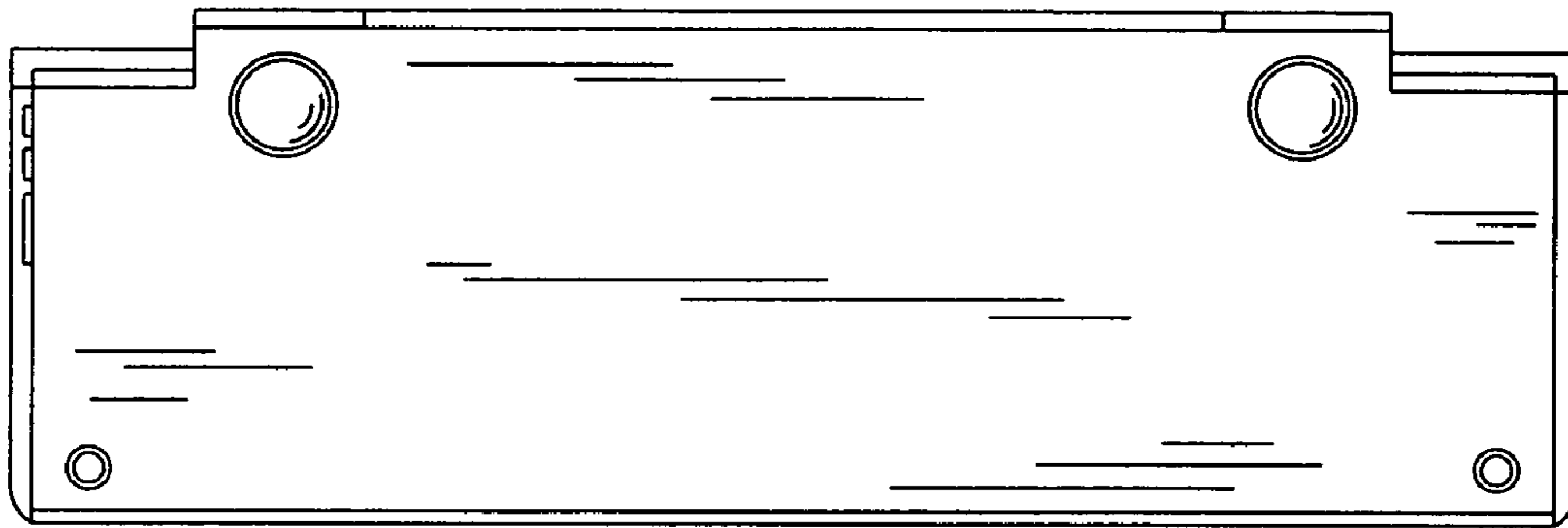


FIG. 3

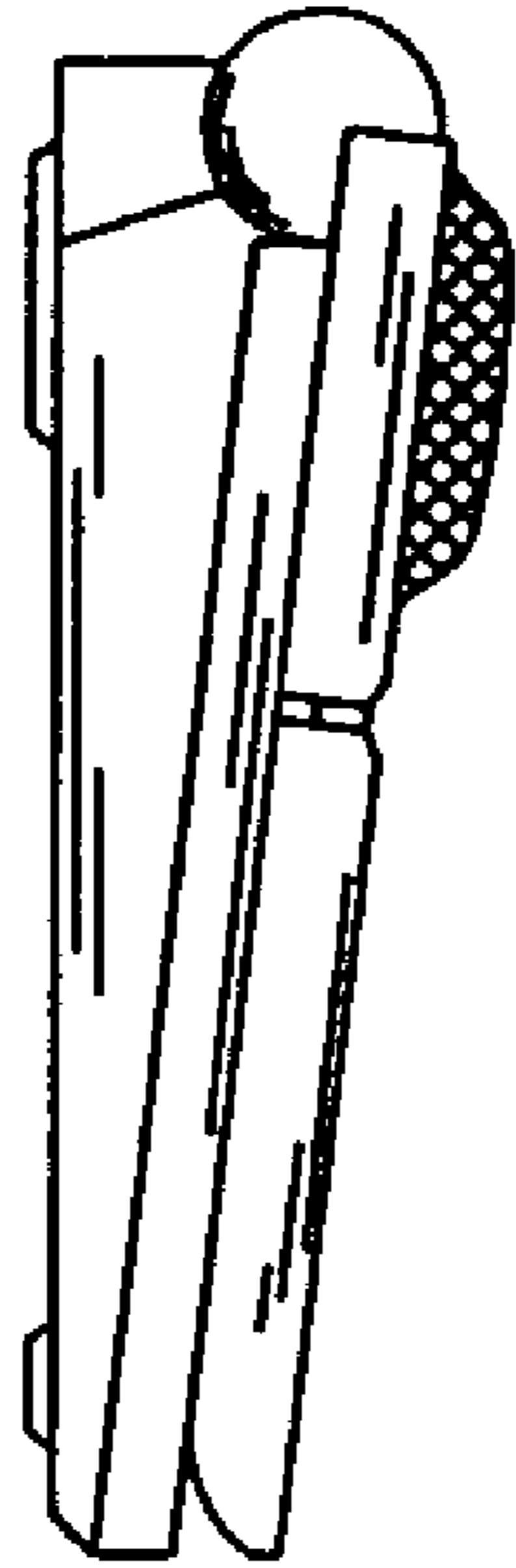


FIG. 4

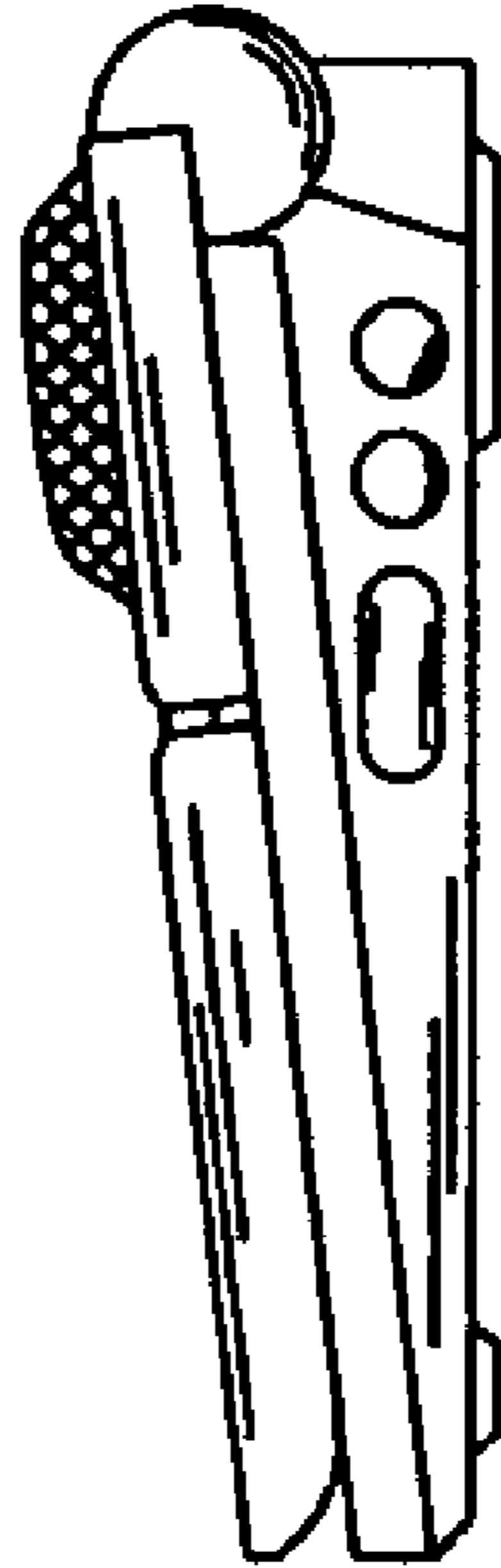


FIG. 5

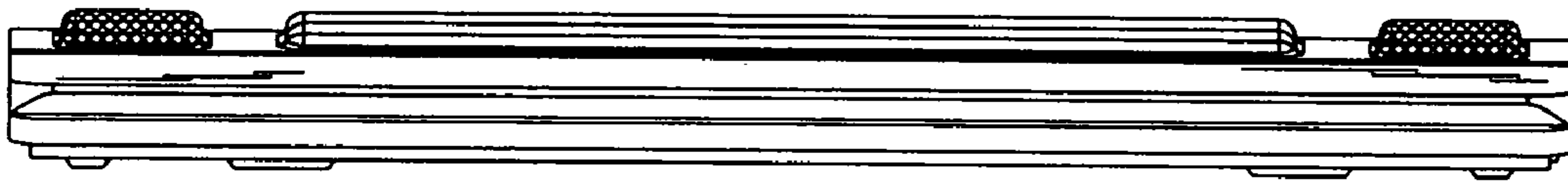


FIG. 6

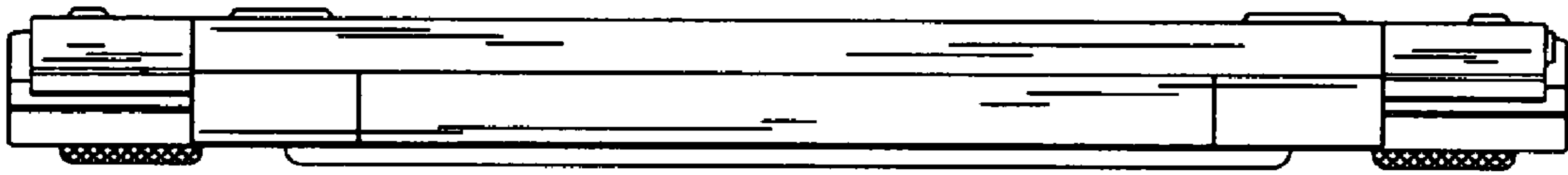


FIG. 7



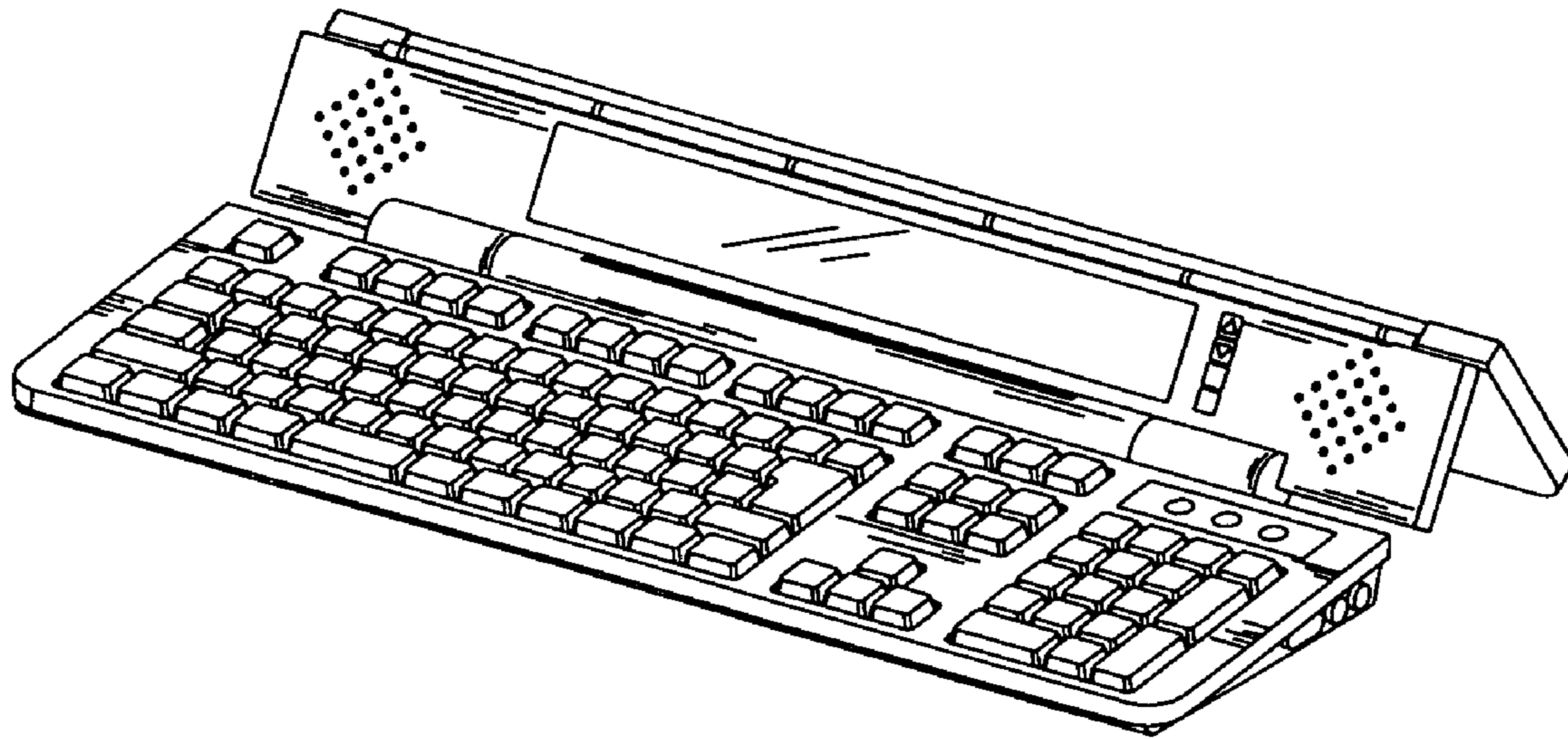


FIG. 8