



US00D566114S

(12) **United States Design Patent**
Chu

(10) **Patent No.:** **US D566,114 S**

(45) **Date of Patent:** **** Apr. 8, 2008**

(54) **USB MEMORY DEVICE**

(75) Inventor: **Eddie Chu**, Taipei (TW)

(73) Assignee: **Infotech Logistic LLC**, Fremont, CA (US)

(**) Term: **14 Years**

(21) Appl. No.: **29/265,188**

(22) Filed: **Aug. 28, 2006**

(51) **LOC (8) Cl.** **14-02**

(52) **U.S. Cl.** **D14/356**

(58) **Field of Classification Search** D14/137,
D14/156, 167, 240, 242, 299, 348, 356, 384-5,
D14/402, 432-435, 496; 439/518, 139, 141,
439/144, 140, 638; 710/74, 62; 365/131
See application file for complete search history.

(56) **References Cited**

U.S. PATENT DOCUMENTS

6,107,969	A *	8/2000	Gulino et al.	343/702
D444,788	S *	7/2001	Do et al.	D14/433
6,337,666	B1 *	1/2002	Bishop	343/795
D454,125	S *	3/2002	Stout et al.	D14/230
6,394,813	B1 *	5/2002	Stout et al.	439/11
6,544,075	B1 *	4/2003	Liao	439/638
6,763,410	B2 *	7/2004	Yu	710/74
6,786,734	B2 *	9/2004	Yu	439/11
D510,928	S *	10/2005	Bair et al.	D14/230
D520,995	S *	5/2006	Chang	D14/356
D529,878	S *	10/2006	Wang	D14/125
D532,776	S *	11/2006	Griffin	D14/218
2006/0073717	A1 *	4/2006	Ng et al.	439/131

OTHER PUBLICATIONS

D14 PDF Search: leather pouch usb.pdf—http://web.archive.org/web/20060221101111/http://www.prestigio.com/files/Photos/Accessories/Leather_Flash_drive2.jpg http://web.archive.org/web/20060221101320/http://www.prestigio.com/files/Photos/Accessories/Prestigio_USB20_FlashDrive-1.jpg, Feb. 21, 2006.*
tvsnob.pdf—http://web.archive.org/web/20060107092152/http://www.tvsnob.com/images/tv_walker-thumb.jpg, Jul. 6, 2007.*

* cited by examiner

Primary Examiner—Robin V. Webster

Assistant Examiner—Karen E Kearney

(74) *Attorney, Agent, or Firm*—Finnegan, Henderson, Farabow, Garrett & Dunner, L.L.P.

(57) **CLAIM**

The ornamental design for the USB memory device, as shown and described.

DESCRIPTION

FIG. 1 is a left front perspective view of a first embodiment of the USB memory device of my new design, with the pivoting cover of the device shown in the partially open configuration, the right front perspective view being a mirror image thereof;

FIG. 2 is a front view thereof, with the pivoting cover of the device shown in the open configuration;

FIG. 3 is a rear view thereof, with the pivoting cover of the device shown in the open configuration;

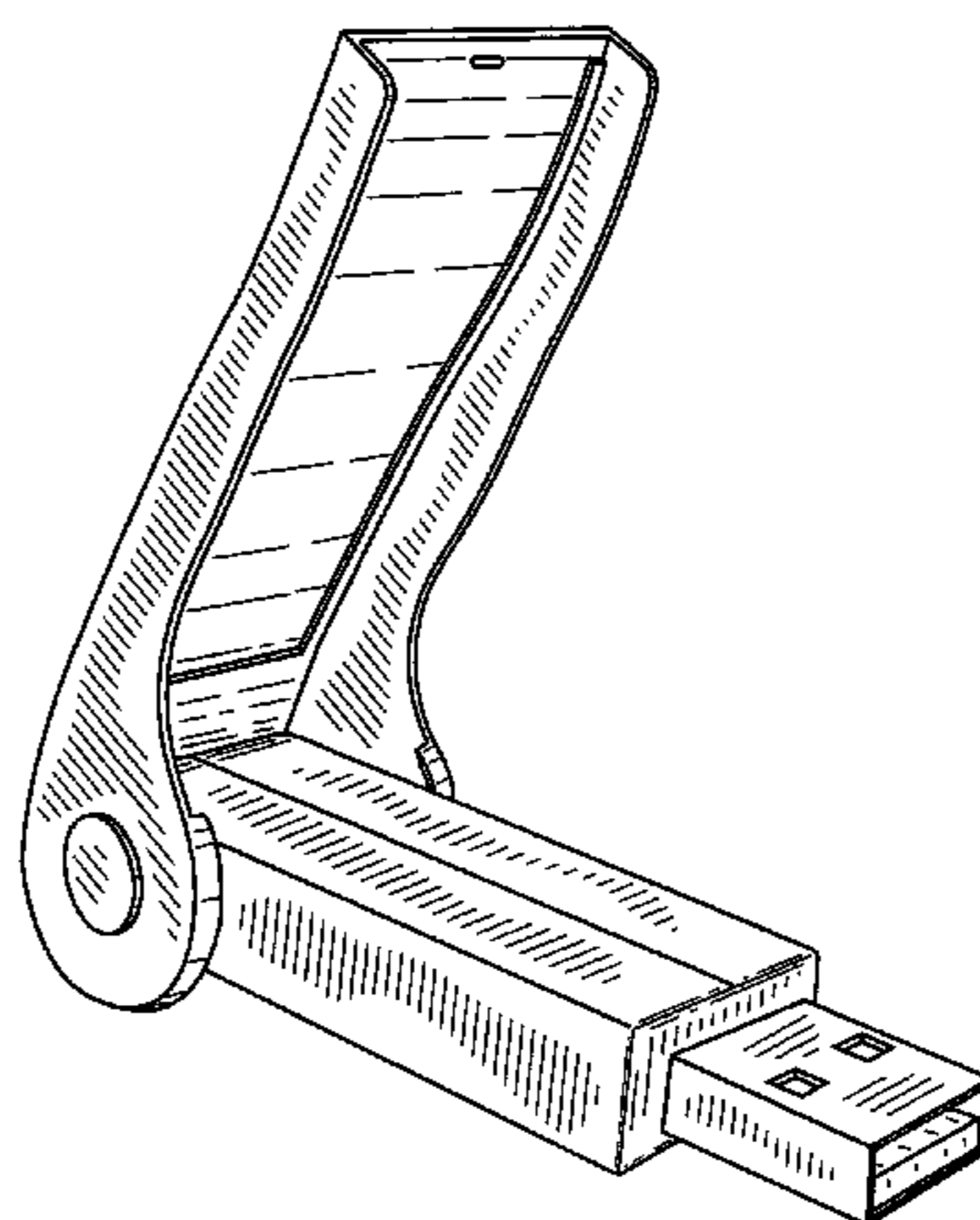
FIG. 4 is a left perspective view thereof, with the pivoting cover of the device shown in the closed configuration, the right perspective view being a mirror image thereof;

FIG. 5 is a right front perspective view of a second embodiment of the USB memory device of my new design, with an optically transparent pivoting cover of the device shown in the closed configuration, the left front perspective view being a mirror image thereof;

FIG. 6 is a left rear perspective view thereof, with the pivoting cover of the device shown in the open configuration, the rear perspective view being a mirror image thereof; and,

FIG. 7 is a rear left perspective view thereof, with the pivoting cover of the device shown in the closed configuration the rear right perspective view being a mirror image thereof.

1 Claim, 7 Drawing Sheets



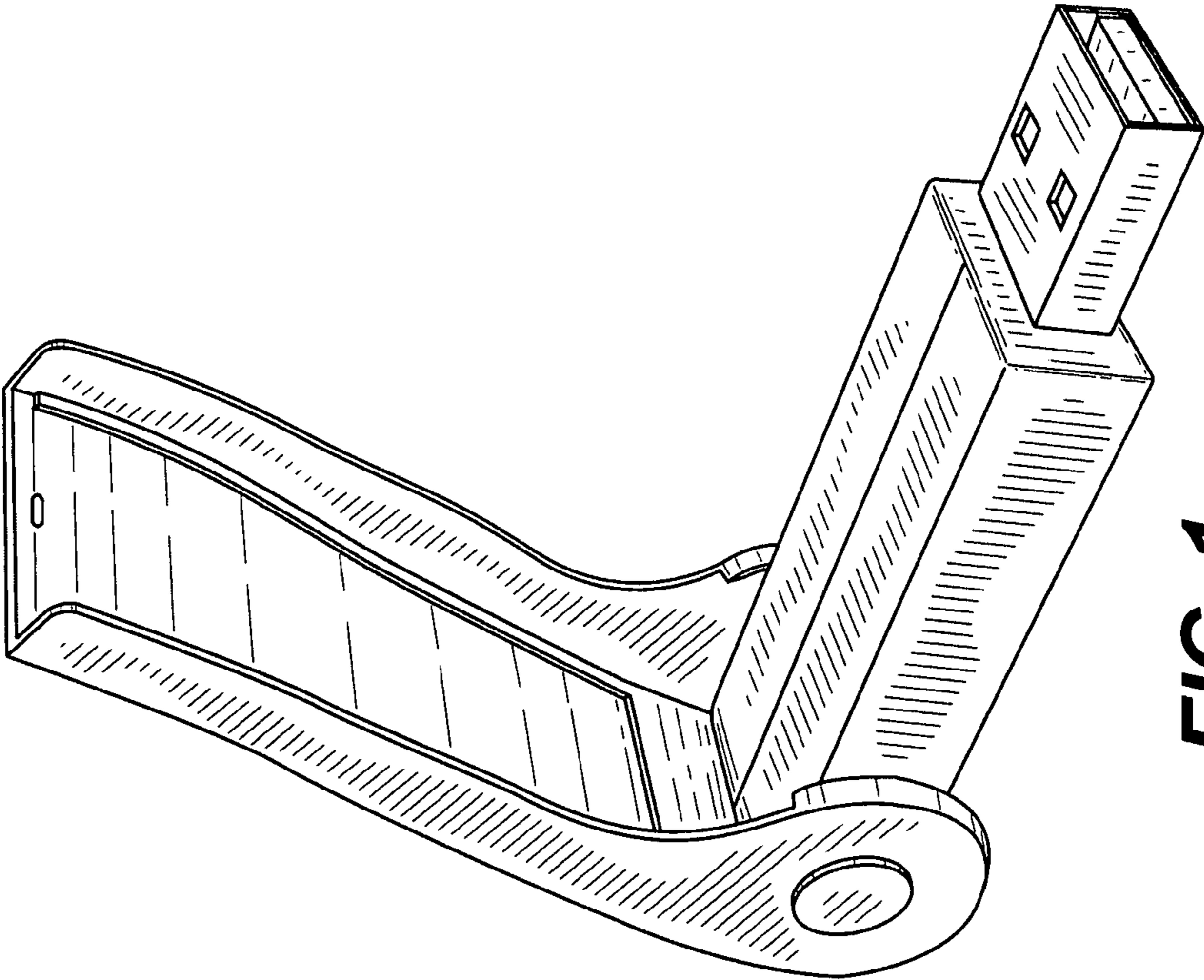


FIG. 1

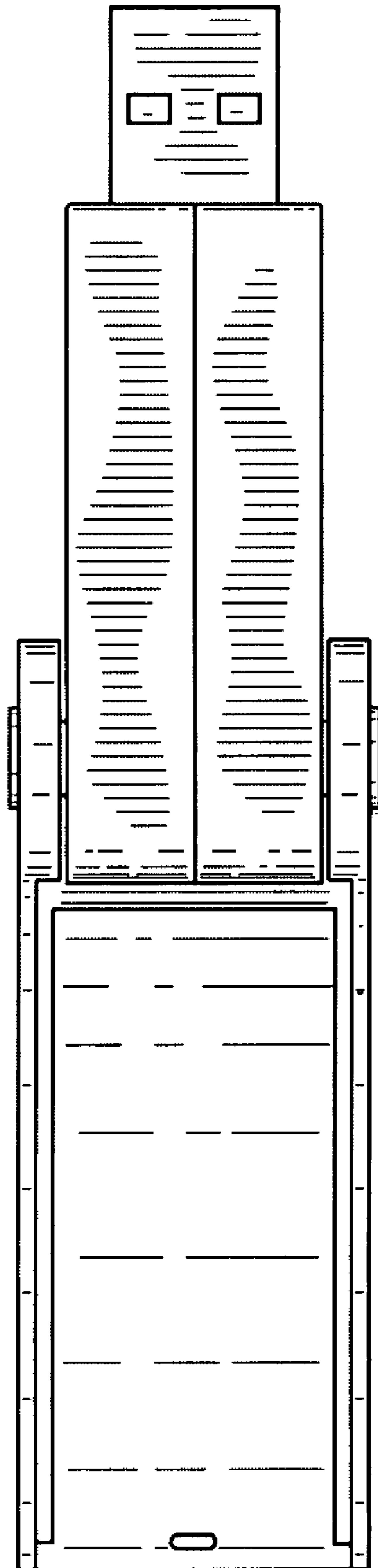


FIG. 2

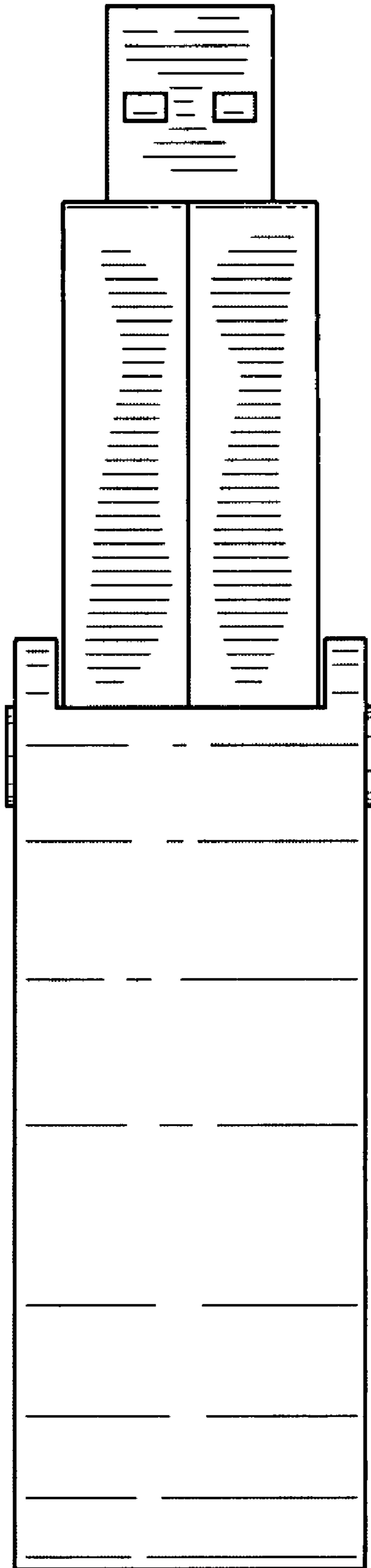


FIG. 3

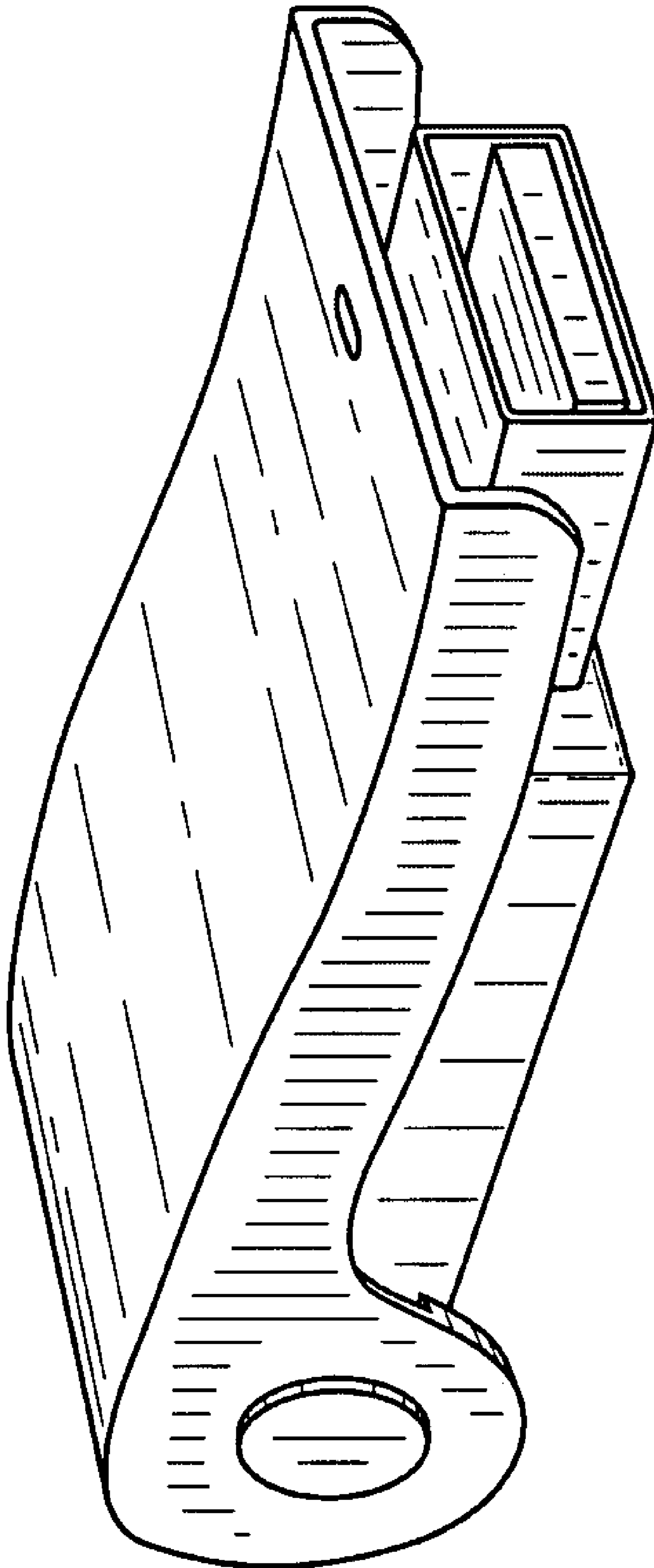


FIG. 4

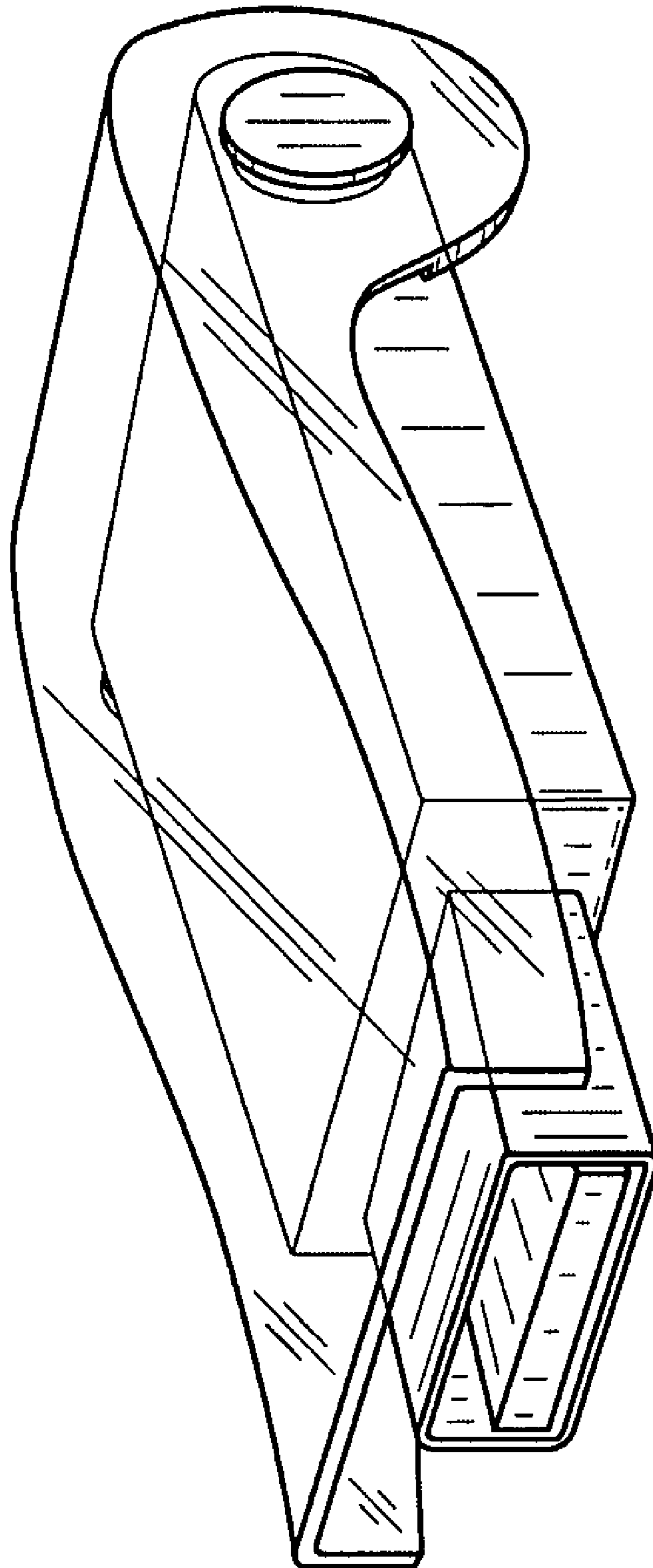


FIG. 5

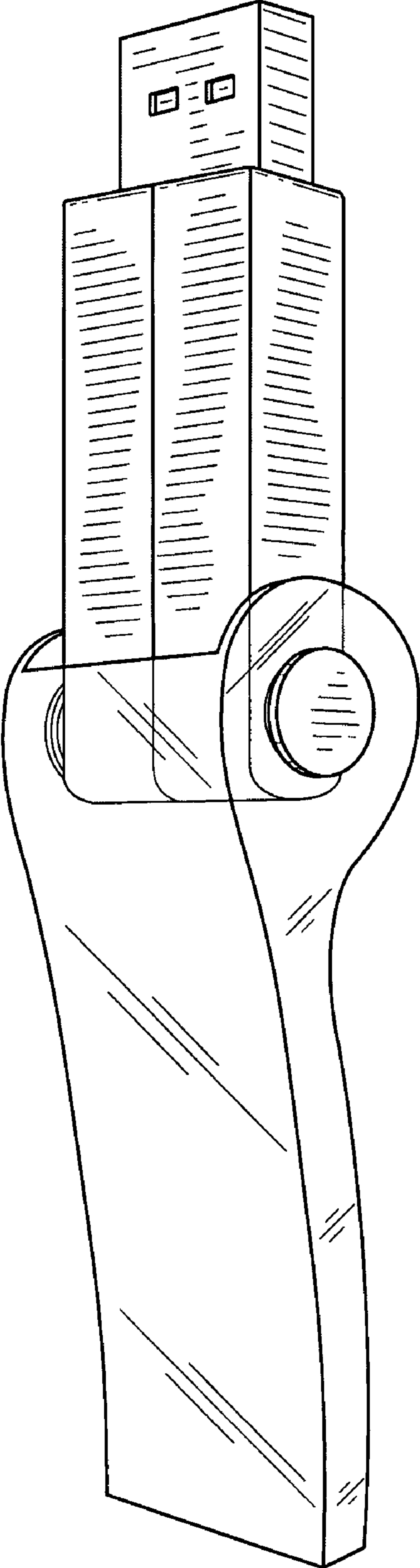


FIG. 6

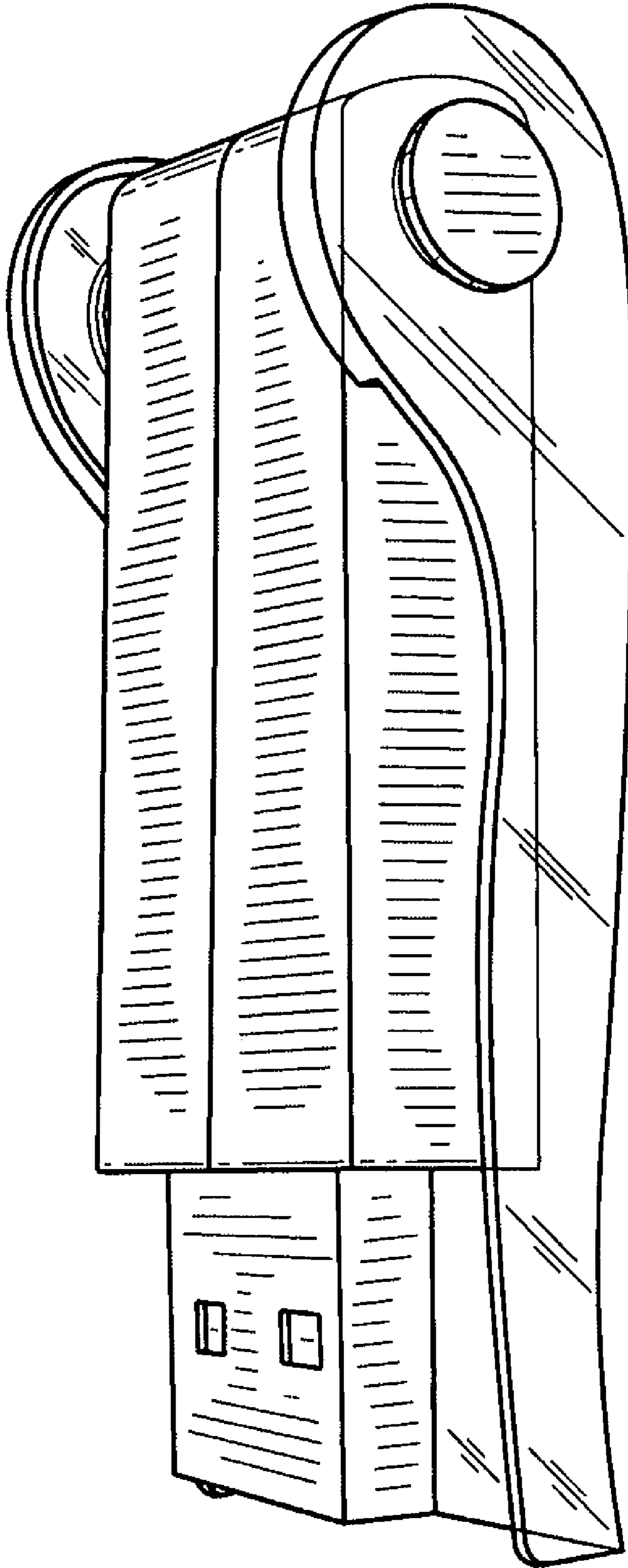


FIG. 7