



US00D566112S

(12) **United States Design Patent**
Kawami et al.

(10) **Patent No.:** **US D566,112 S**
(45) **Date of Patent:** **** Apr. 8, 2008**

(54) **PERSONAL COMPUTER**

(75) Inventors: **Mitsuhiko Kawami**, Tokyo (JP);
Tomohiro Takizawa, Kawasaki (JP)

(73) Assignee: **Fujitsu Limited**, Kawasaki (JP)

(**) Term: **14 Years**

(21) Appl. No.: **29/267,440**

(22) Filed: **Oct. 16, 2006**

(30) **Foreign Application Priority Data**

Jun. 22, 2006 (JP) 2006-016198

(51) **LOC (8) Cl.** **14-02**

(52) **U.S. Cl.** **D14/318**

(58) **Field of Classification Search** D14/315-322;
D18/1, 2, 7, 11; 235/145 A, 145 R; 341/22,
341/23; 345/104, 156, 168, 169, 173, 87,
345/901-905; 361/680-686

See application file for complete search history.

(56) **References Cited**

U.S. PATENT DOCUMENTS

D494,162 S * 8/2004 Kondo D14/318
D510,737 S * 10/2005 Yokota D14/318
D516,552 S * 3/2006 Iseki D14/318
D517,543 S * 3/2006 Nakajima et al. D14/318

2004/0201577 A1* 10/2004 Yamada 345/173
2005/0264537 A1* 12/2005 Yang 345/173
2005/0270277 A1* 12/2005 Park 345/173
2006/0007173 A1* 1/2006 Tsai et al. 345/173
2006/0146031 A1* 7/2006 Wang et al. 345/173

* cited by examiner

Primary Examiner—Freda S Nunn

(74) *Attorney, Agent, or Firm*—Staas & Halsey LLP

(57) **CLAIM**

The ornamental design for a personal computer, as shown and described.

DESCRIPTION

FIG. 1 is a perspective view of top, front and right side of a personal computer showing our new design;

FIG. 2 is a front view thereof;

FIG. 3 is a rear view thereof;

FIG. 4 is a top plan view thereof;

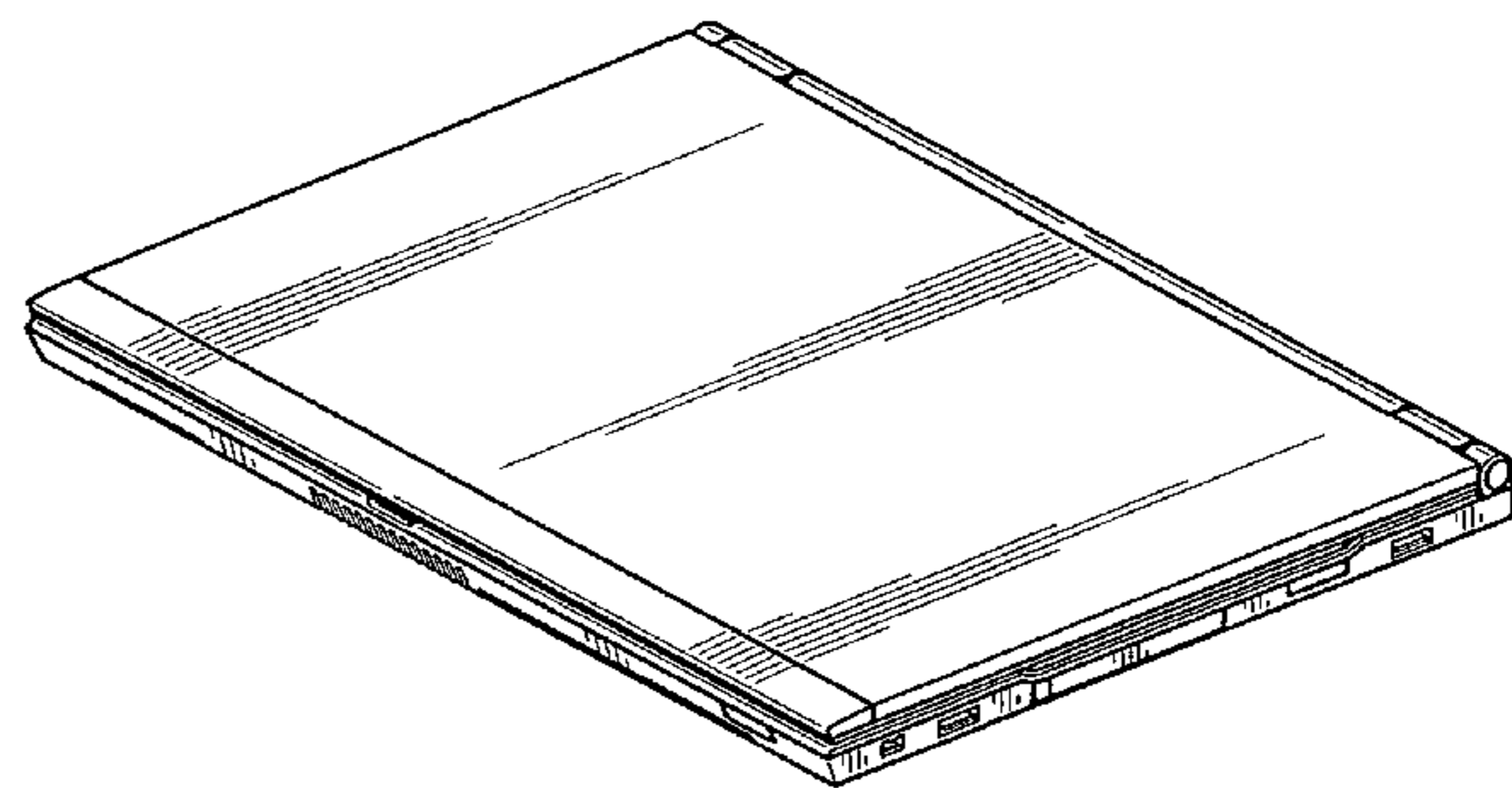
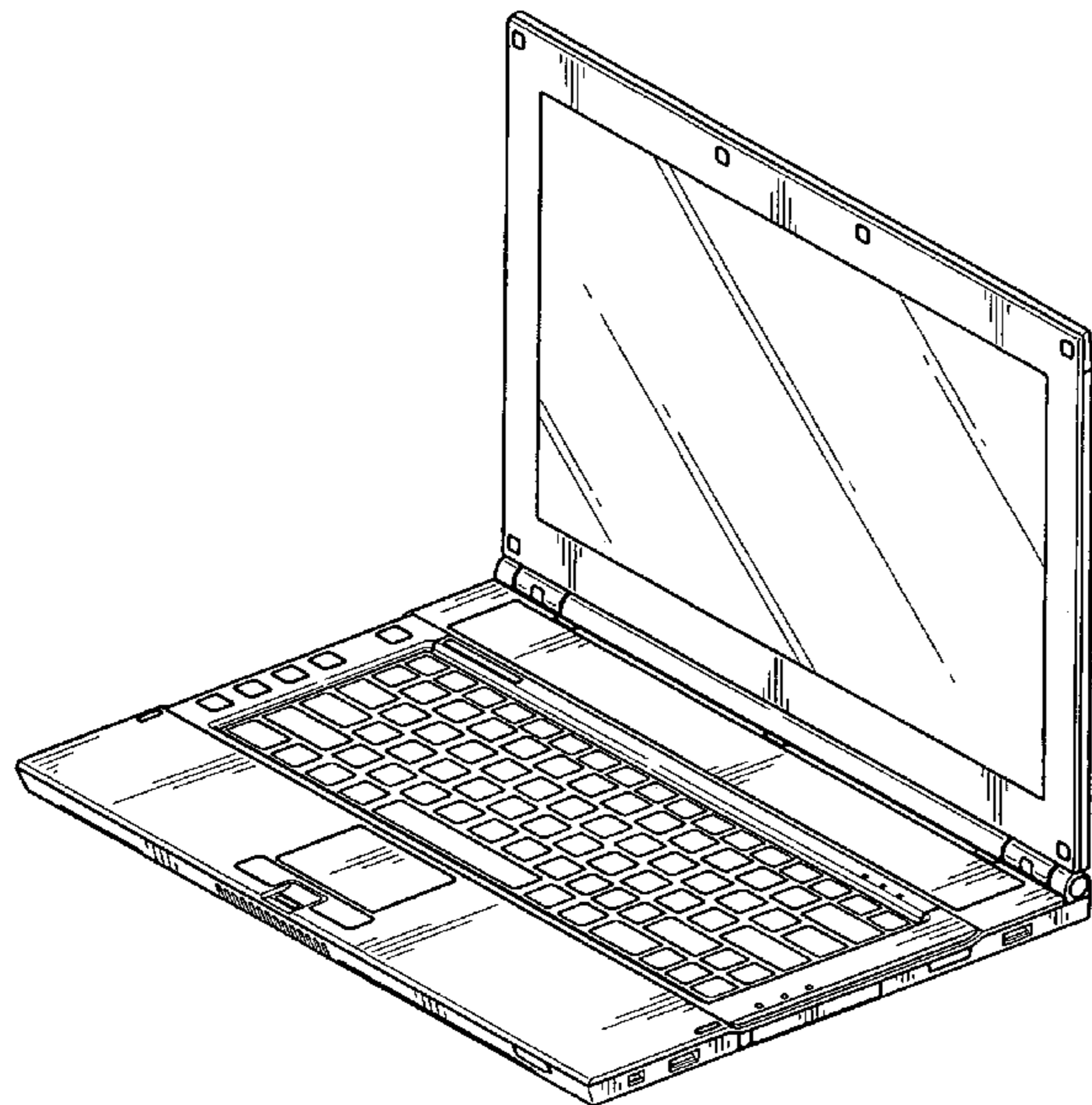
FIG. 5 is a bottom view thereof;

FIG. 6 is a left side view thereof;

FIG. 7 is a right side view thereof; and,

FIG. 8 is a perspective view with the lid in close condition thereof.

1 Claim, 8 Drawing Sheets



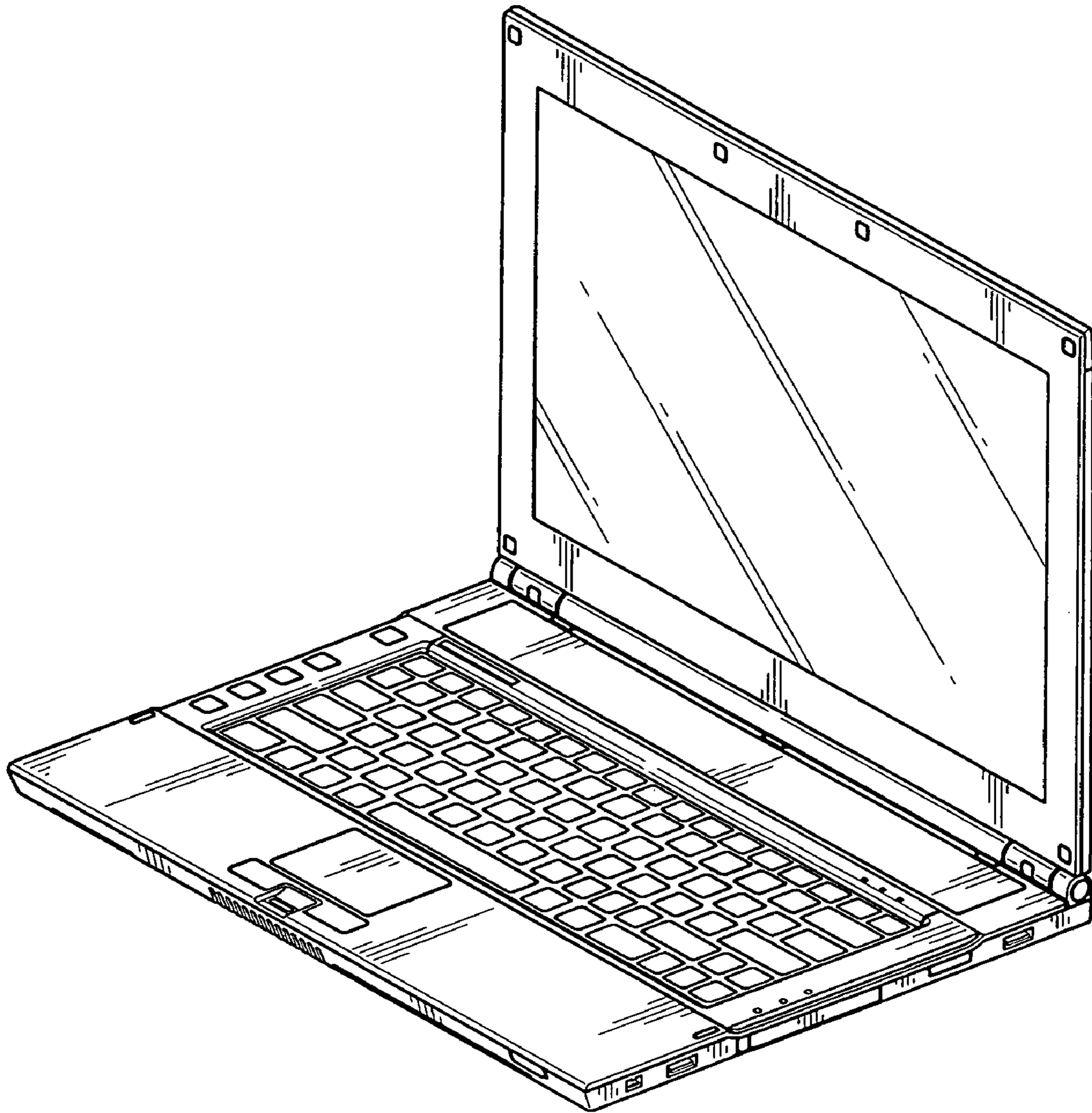


FIG. 1

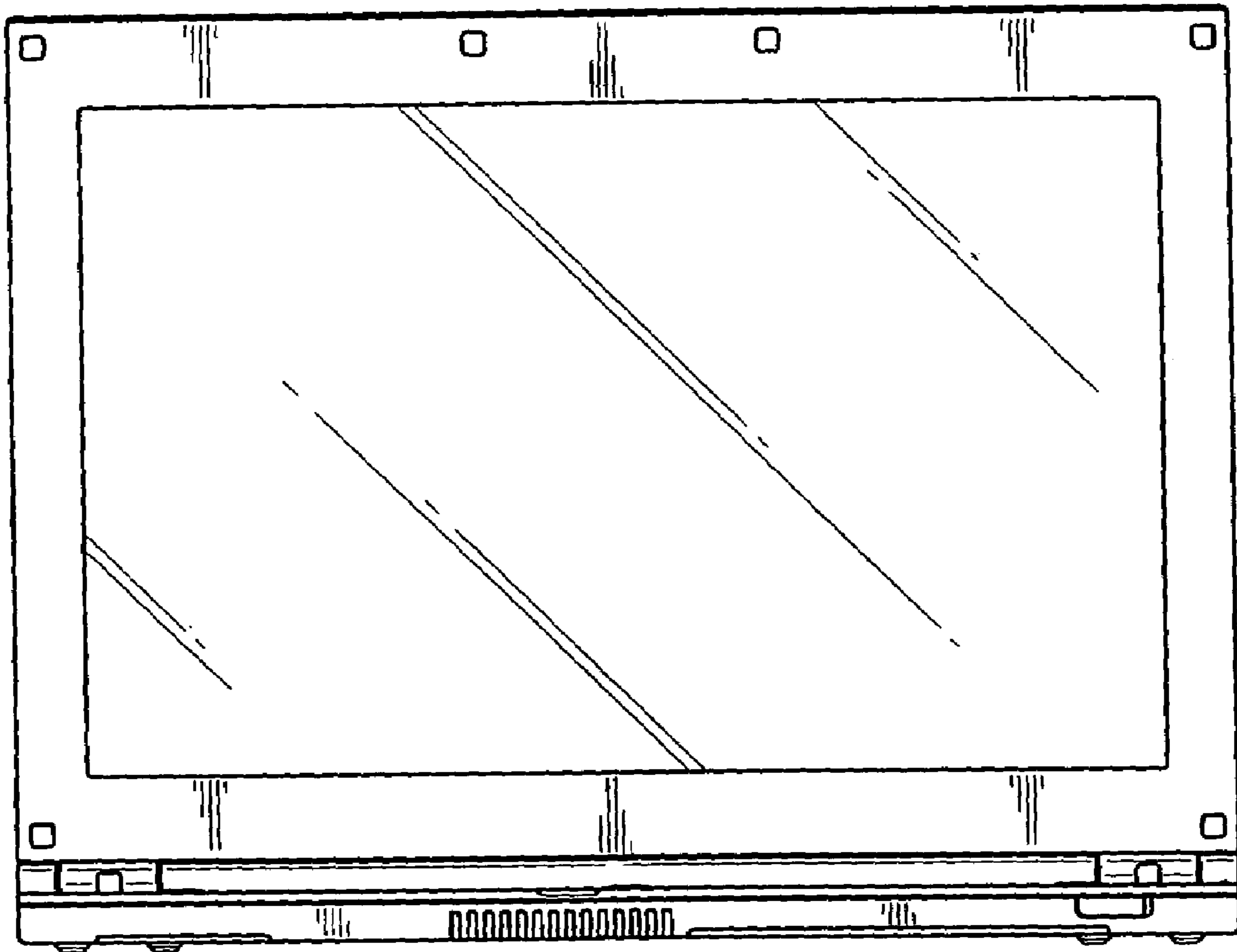


FIG. 2

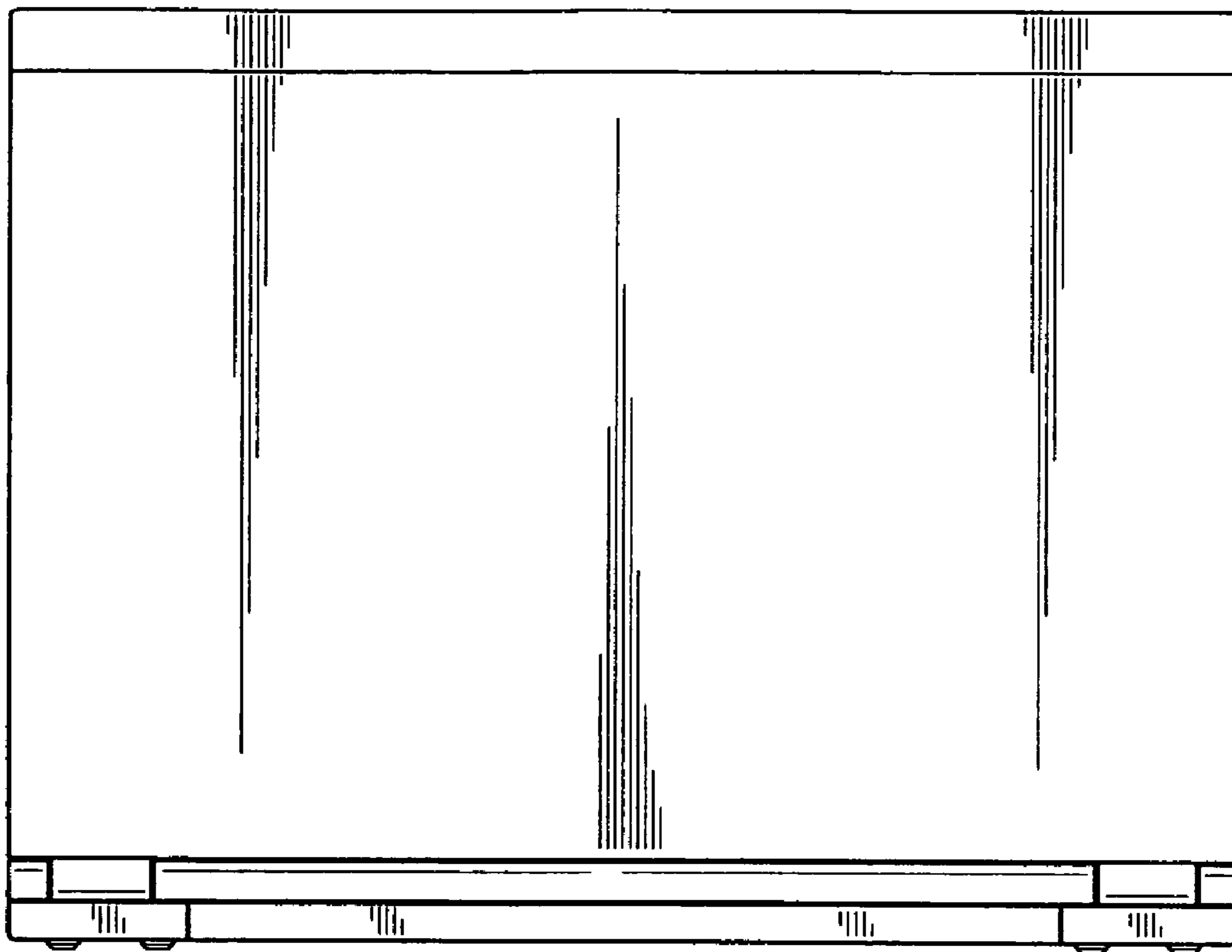


FIG. 3

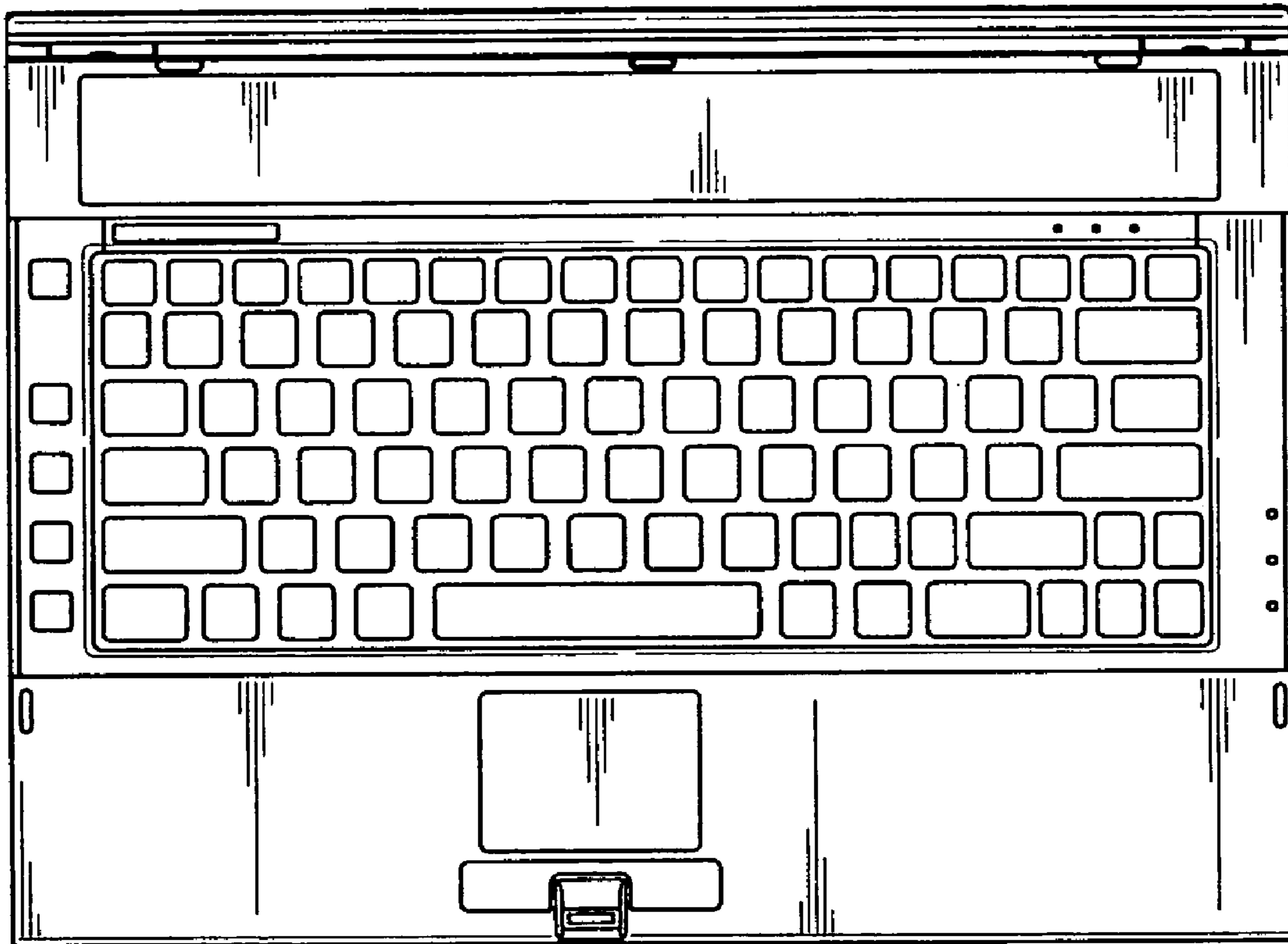


FIG. 4

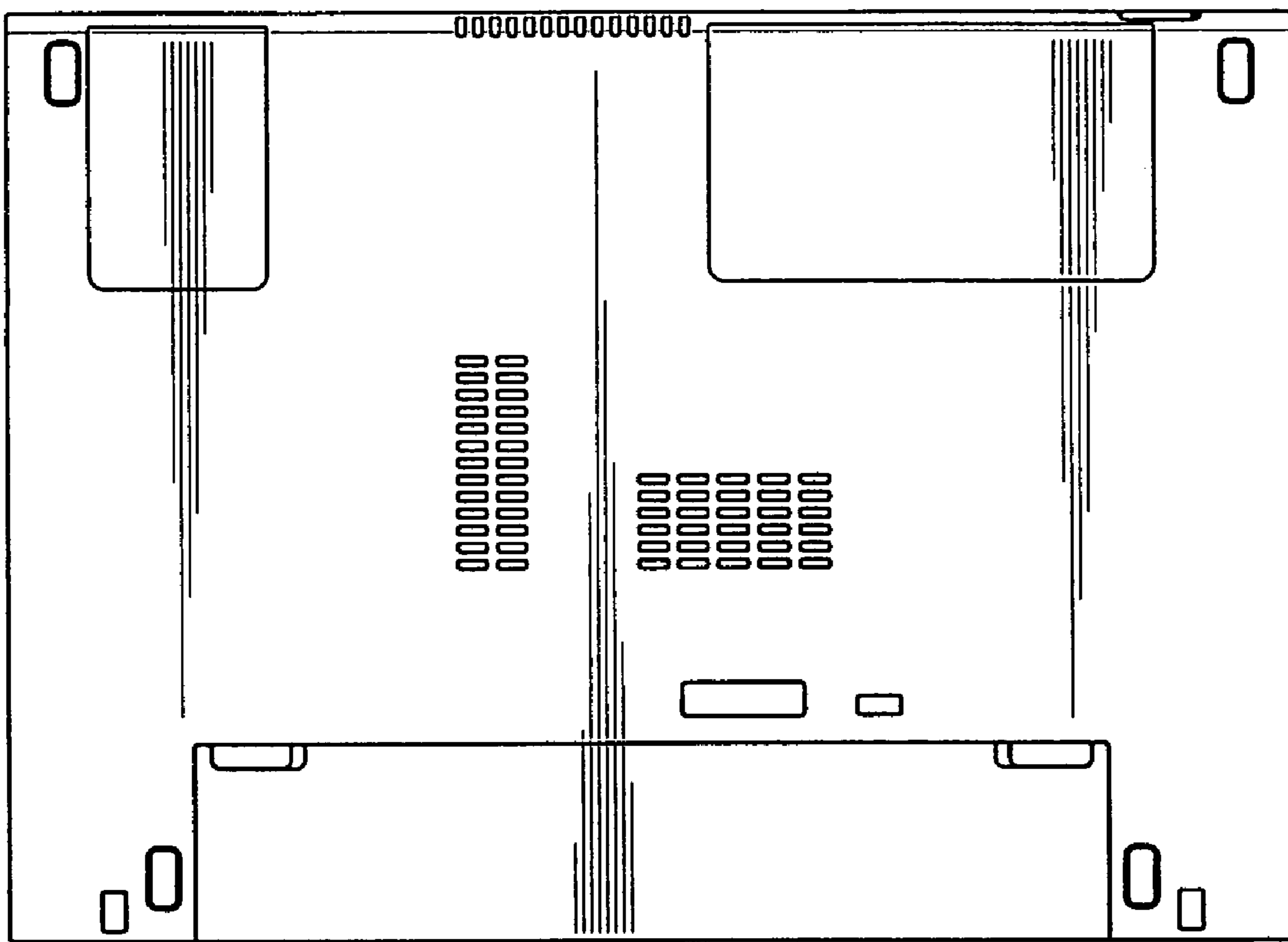


FIG. 5

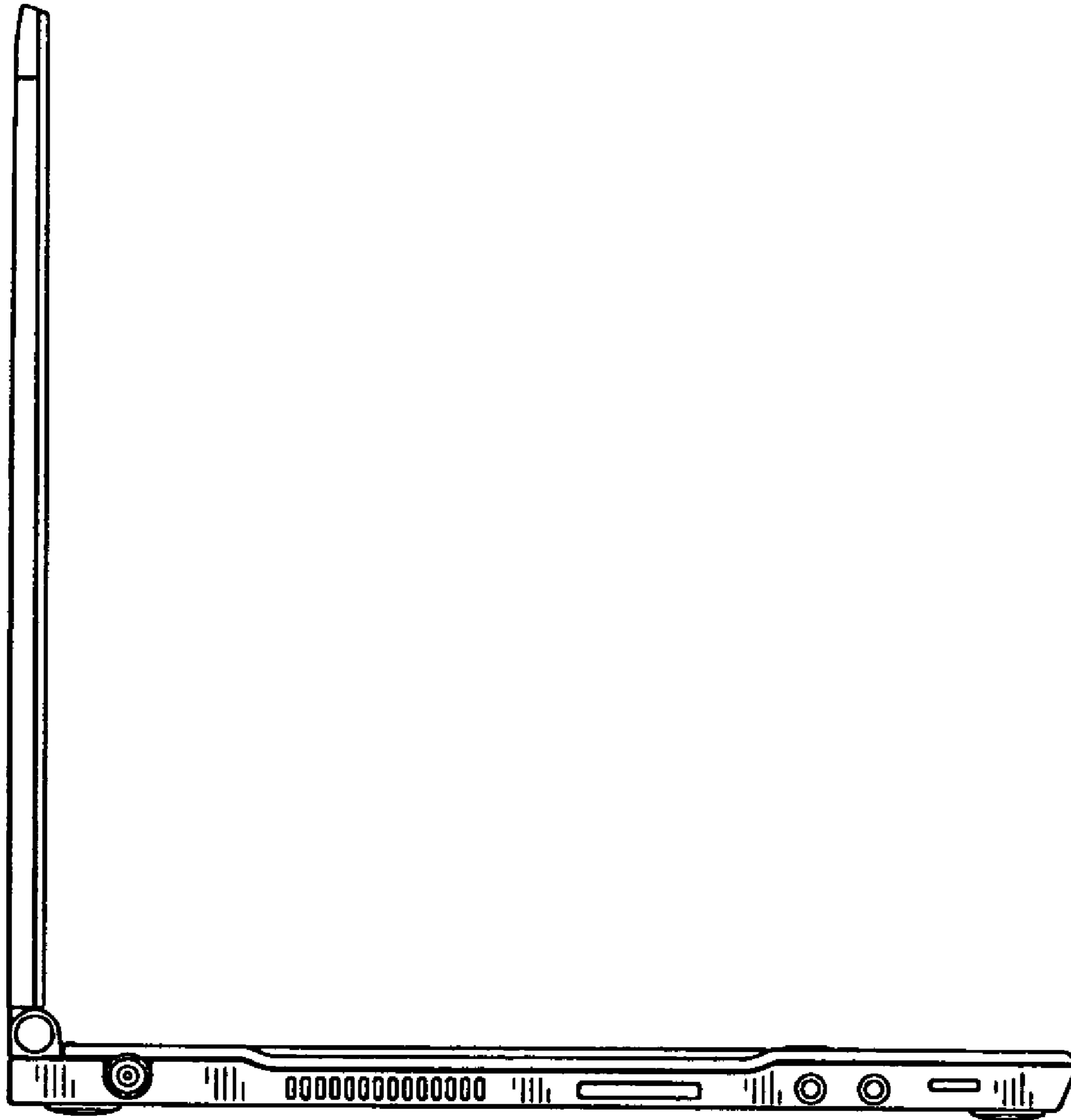


FIG. 6

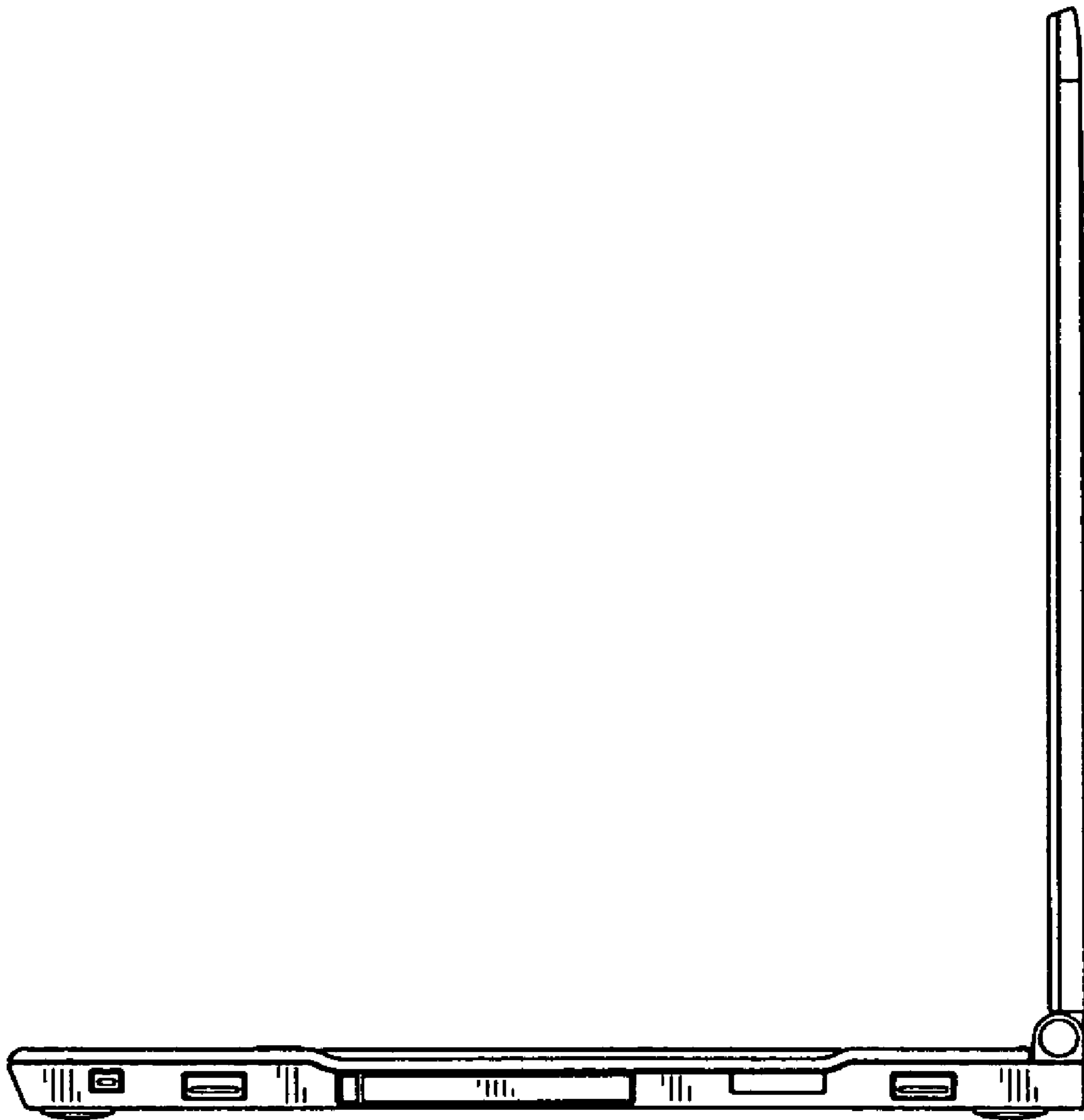


FIG. 7

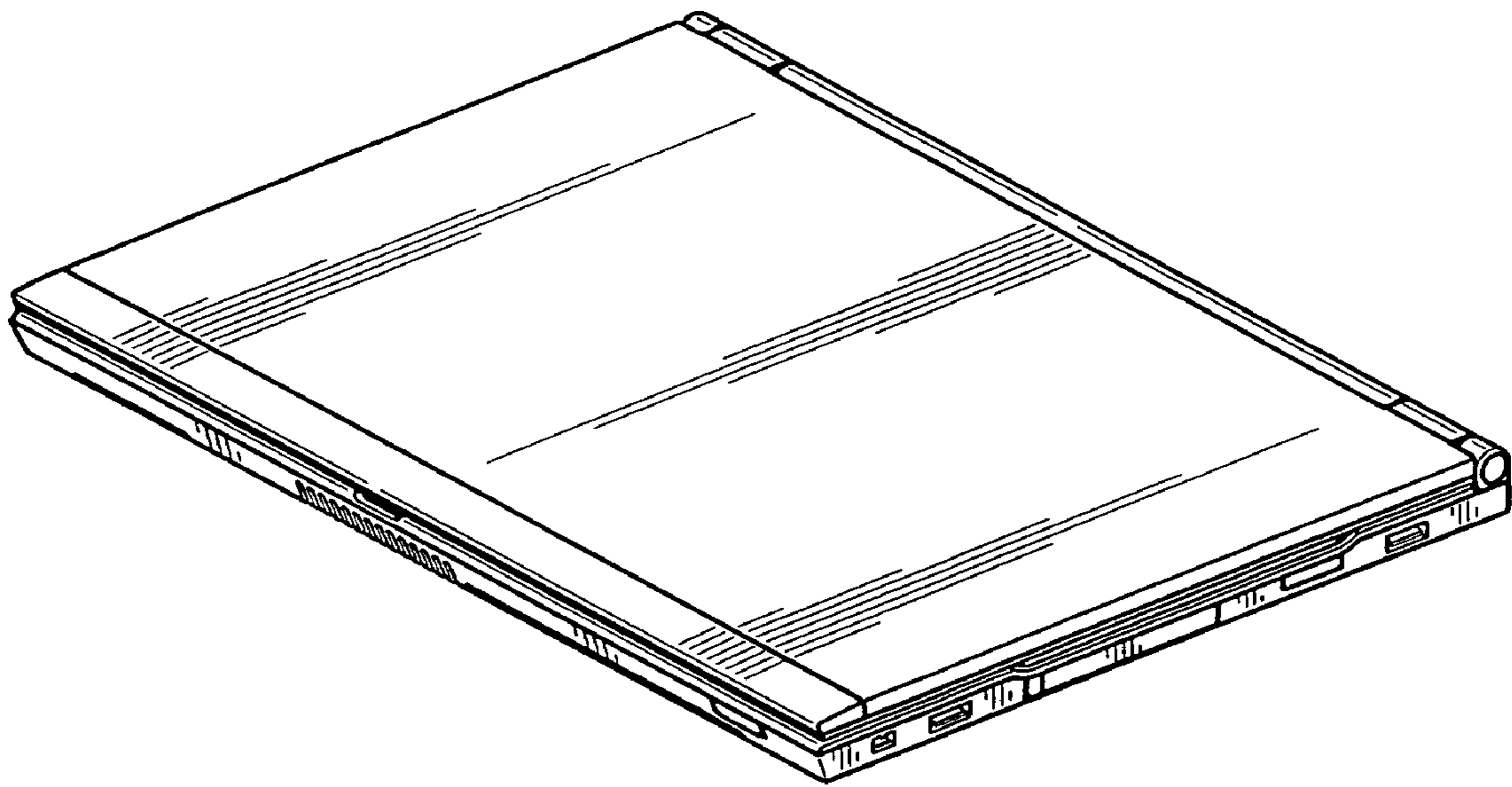


FIG. 8