



US00D566111S

(12) **United States Design Patent**
Nakagawa

(10) **Patent No.:** **US D566,111 S**
(45) **Date of Patent:** **** Apr. 8, 2008**

(54) **PORTABLE COMPUTER**

(75) Inventor: **Hitoshi Nakagawa**, Kadoma (JP)

(73) Assignee: **Matsushita Electric Industrial Co., Ltd.**, Osaka (JP)

(**) Term: **14 Years**

(21) Appl. No.: **29/267,665**

(22) Filed: **Oct. 18, 2006**

(30) **Foreign Application Priority Data**

Apr. 20, 2006 (JP) 2006-010264

(51) **LOC (8) Cl.** **14-02**

(52) **U.S. Cl.** **D14/315**

(58) **Field of Classification Search** D14/315-327;
D18/1, 2, 7; 235/145 A, 145 R; 341/22,
341/23; 345/104, 156, 167-169, 173, 1.1;
361/680-686, 690-696; 400/486, 489
See application file for complete search history.

(56) **References Cited**

U.S. PATENT DOCUMENTS

| | | | | |
|--------------|---------|---------------|-------|---------|
| D332,781 S * | 1/1993 | Toedter | | D14/322 |
| D361,553 S | 8/1995 | De Iuliis | | |
| D367,046 S | 2/1996 | Haraga et al. | | |
| D426,817 S | 6/2000 | Sugano et al. | | |
| D429,722 S | 8/2000 | Kikuchi | | |
| D435,549 S | 12/2000 | Amano et al. | | |
| D443,875 S | 6/2001 | Ma et al. | | |
| D466,498 S * | 12/2002 | Wang | | D14/318 |
| D483,356 S | 12/2003 | Kobayashi | | |
| D490,417 S * | 5/2004 | Chen et al. | | D14/318 |
| D498,753 S | 11/2004 | Yamada | | |

FOREIGN PATENT DOCUMENTS

| | | | |
|----|----------|---|--------|
| JP | 0893156 | * | 3/1994 |
| JP | 981355 | | 5/1997 |
| JP | 984167 | | 7/1997 |
| JP | 01013936 | * | 7/1998 |
| JP | 1041331 | | 6/1999 |

| | | |
|----|-----------|---------|
| JP | 1065790 | 4/2000 |
| JP | 994094/10 | 7/2000 |
| JP | 934416 | 10/2000 |
| JP | 1094693 | 12/2000 |
| JP | 1094694 | 12/2000 |
| JP | 1094695 | 12/2000 |
| JP | 1098189 | 1/2001 |
| JP | 1099102 | 1/2001 |
| JP | 1100612 | 2/2001 |

(Continued)

OTHER PUBLICATIONS

Kaneshiro, U.S. Design Application entitled "Portable Computer", U.S. Appl. No. 29/267,555, filed Oct. 17, 2006.

(Continued)

Primary Examiner—Freda S Nunn

(74) *Attorney, Agent, or Firm*—Brinks Hofer Gilson & Lione

(57) **CLAIM**

I claim the ornamental design for a portable computer, as shown and described.

DESCRIPTION

FIG. 1 is a top perspective view of a portable computer of the present invention;

FIG. 2 is a front view thereof;

FIG. 3 is a top view thereof;

FIG. 4 is a bottom view thereof;

FIG. 5 is a first side view thereof;

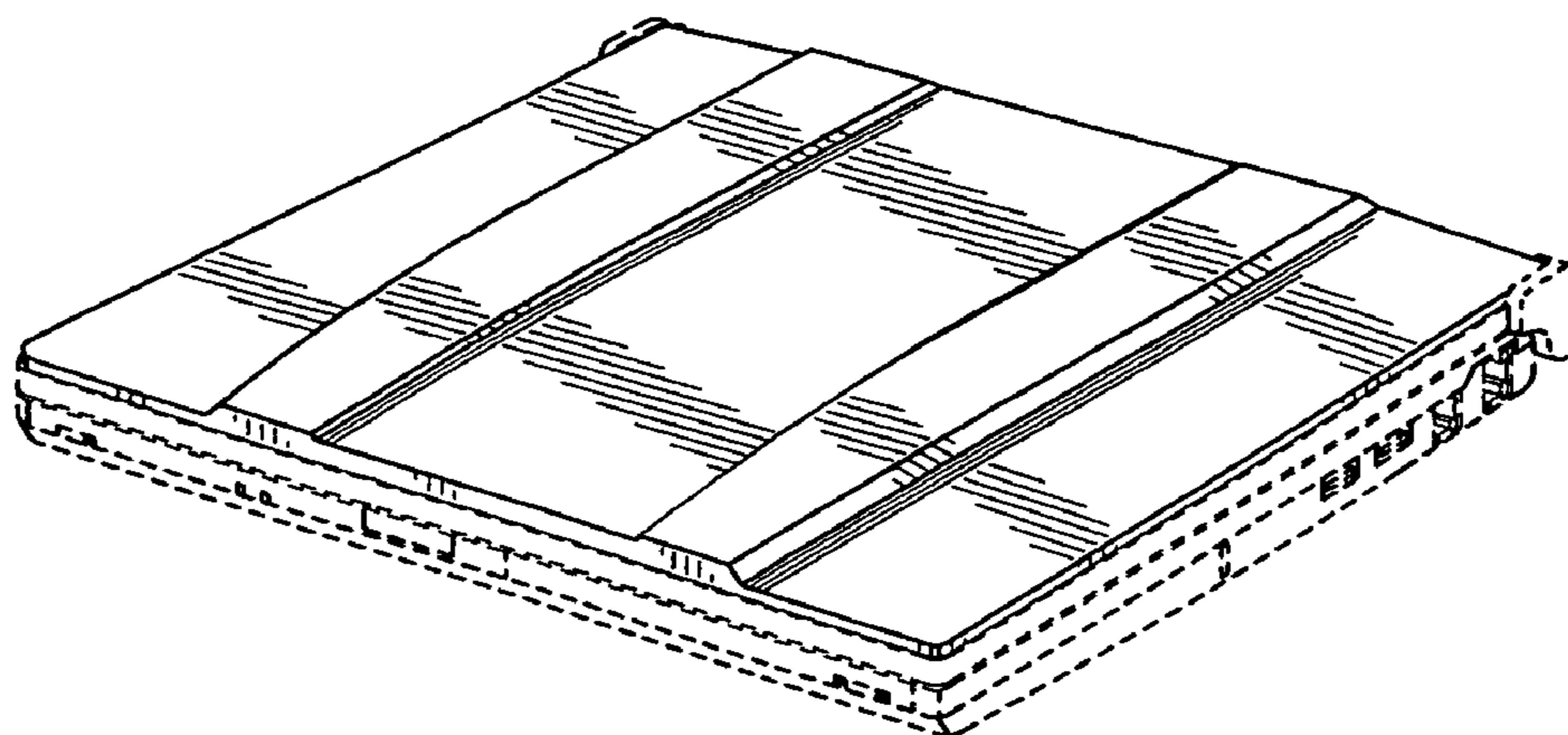
FIG. 6 is a second side view thereof;

FIG. 7 is a rear view thereof; and,

FIG. 8 is a top perspective view of the portable computer seen in an open position.

The ornamental design which is claimed is shown in solid lines in the drawings. Any broken lines in the drawings are for illustrative purposes only and form no part of the claimed design.

1 Claim, 5 Drawing Sheets



US D566,111 S

Page 2

FOREIGN PATENT DOCUMENTS

| | | |
|----|---------|---------|
| JP | 1103747 | 3/2001 |
| JP | 1113521 | 7/2001 |
| JP | 1119631 | 8/2001 |
| JP | 1119691 | 8/2001 |
| JP | 1120213 | 9/2001 |
| JP | 1121108 | 9/2001 |
| JP | 1121272 | 9/2001 |
| JP | 1122008 | 9/2001 |
| JP | 1127372 | 11/2001 |
| JP | 1127600 | 12/2001 |
| JP | 1128503 | 12/2001 |
| JP | 1128505 | 12/2001 |
| JP | 1128506 | 12/2001 |
| JP | 1128775 | 12/2001 |
| JP | 1128808 | 12/2001 |
| JP | 1129334 | 12/2001 |
| JP | 1131716 | 1/2002 |
| JP | 1143514 | 6/2002 |
| JP | 1145540 | 7/2002 |
| JP | 1161645 | 12/2002 |
| JP | 1176115 | 6/2003 |
| JP | 1177256 | 6/2003 |
| JP | 1186847 | 10/2003 |
| JP | 1189345 | 11/2003 |
| JP | 1198666 | 3/2004 |
| JP | 1214993 | 8/2004 |
| JP | 1215911 | 8/2004 |
| JP | 1229871 | 2/2005 |
| JP | 1230580 | 2/2005 |
| JP | 1259272 | 12/2005 |

| | | |
|----|---------|----------|
| JP | 1260446 | 1/2006 |
| SE | 93-1848 | * 8/1993 |

OTHER PUBLICATIONS

Kaneshiro, U.S. Design Application entitled "Portable Computer", U.S. Appl. No. 29/267,556, filed Oct. 17, 2006.

Kaneshiro, U.S. Design Application entitled "Portable Computer", U.S. Appl. No. 29/267,572, filed Oct. 17, 2006.

Kaneshiro, U.S. Design Application entitled "Portable Computer", U.S. Appl. No. 29/267,592, filed Oct. 17, 2006.

Nakagawa, U.S. Design Application entitled "Portable Computer", U.S. Appl. No. 29/267,649, filed Oct. 18, 2006.

Nakagawa et al., U.S. Design Application entitled "Portable Computer", U.S. Appl. No. 29/267,650, filed Oct. 18, 2006.

Kaneshiro et al., U.S. Design Application entitled "Portable Computer", U.S. Appl. No. 29/267,651, filed Oct. 18, 2006.

Kaneshiro et al., U.S. Design Application entitled "Portable Computer", U.S. Appl. No. 29/267,660, filed Oct. 18, 2006.

Nakagawa et al., U.S. Design Application entitled "Portable Computer", U.S. Appl. No. 29/267,661, filed Oct. 18, 2006.

Nakagawa et al., U.S. Design Application entitled "Portable Computer", U.S. Appl. No. 29/267,662, filed Oct. 18, 2006.

Kaneshiro et al., U.S. Design Application entitled "Portable Computer", U.S. Appl. No. 29/267,663, filed Oct. 18, 2006.

Nakagawa et al., U.S. Design Application entitled "Portable Computer", U.S. Appl. No. 29/267,664, filed Oct. 18, 2006.

Nakagawa, U.S. Design Application entitled "Portable Computer", U.S. Appl. No. 29/267,714, filed Oct. 18, 2006.

The magazine "PC User," issued in Feb. 2006 by Softbank Creative Inc.

* cited by examiner

FIG. 1

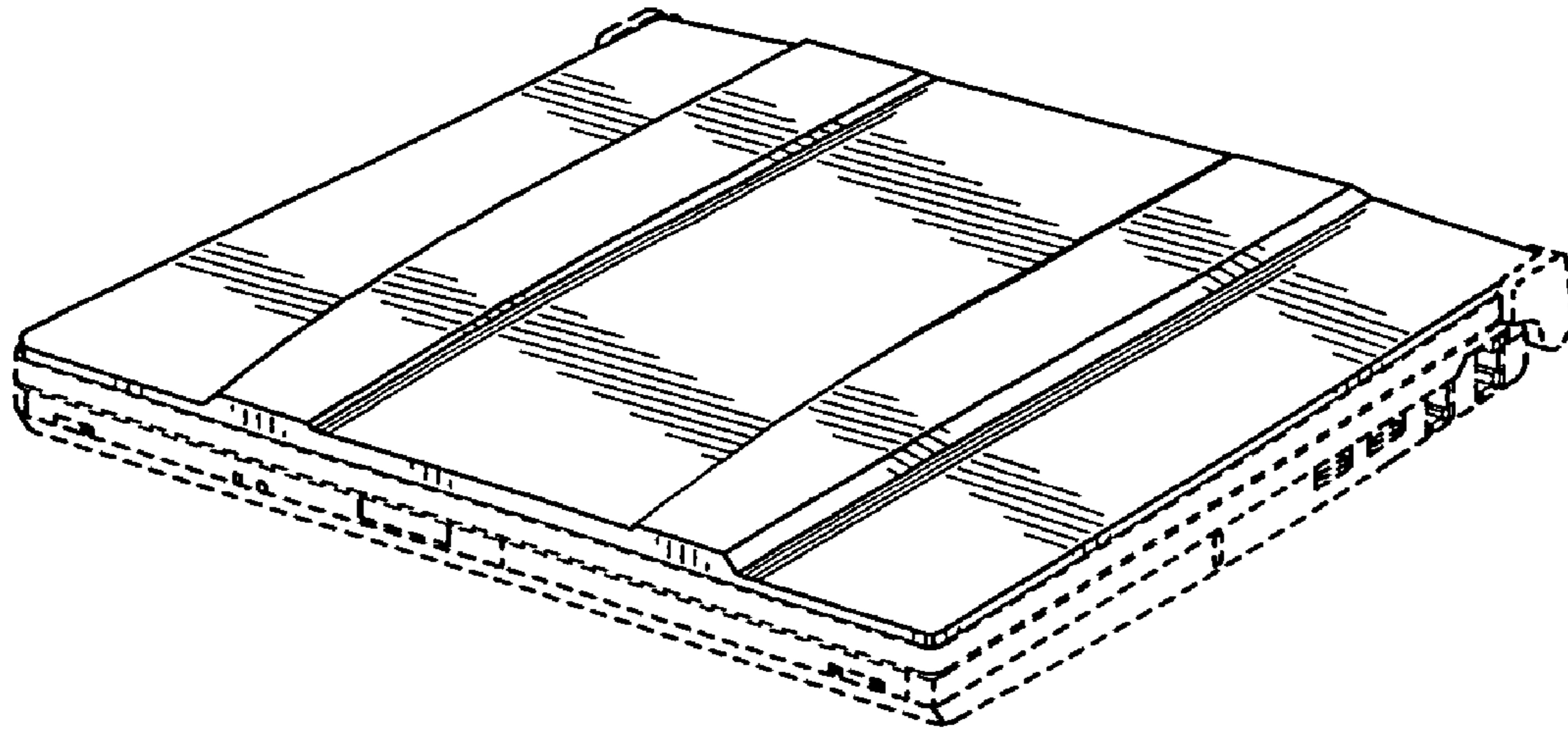


FIG. 2

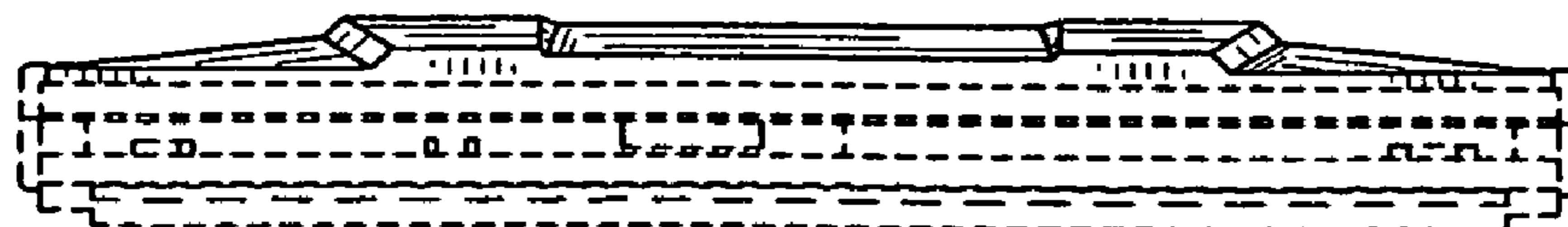


FIG. 3

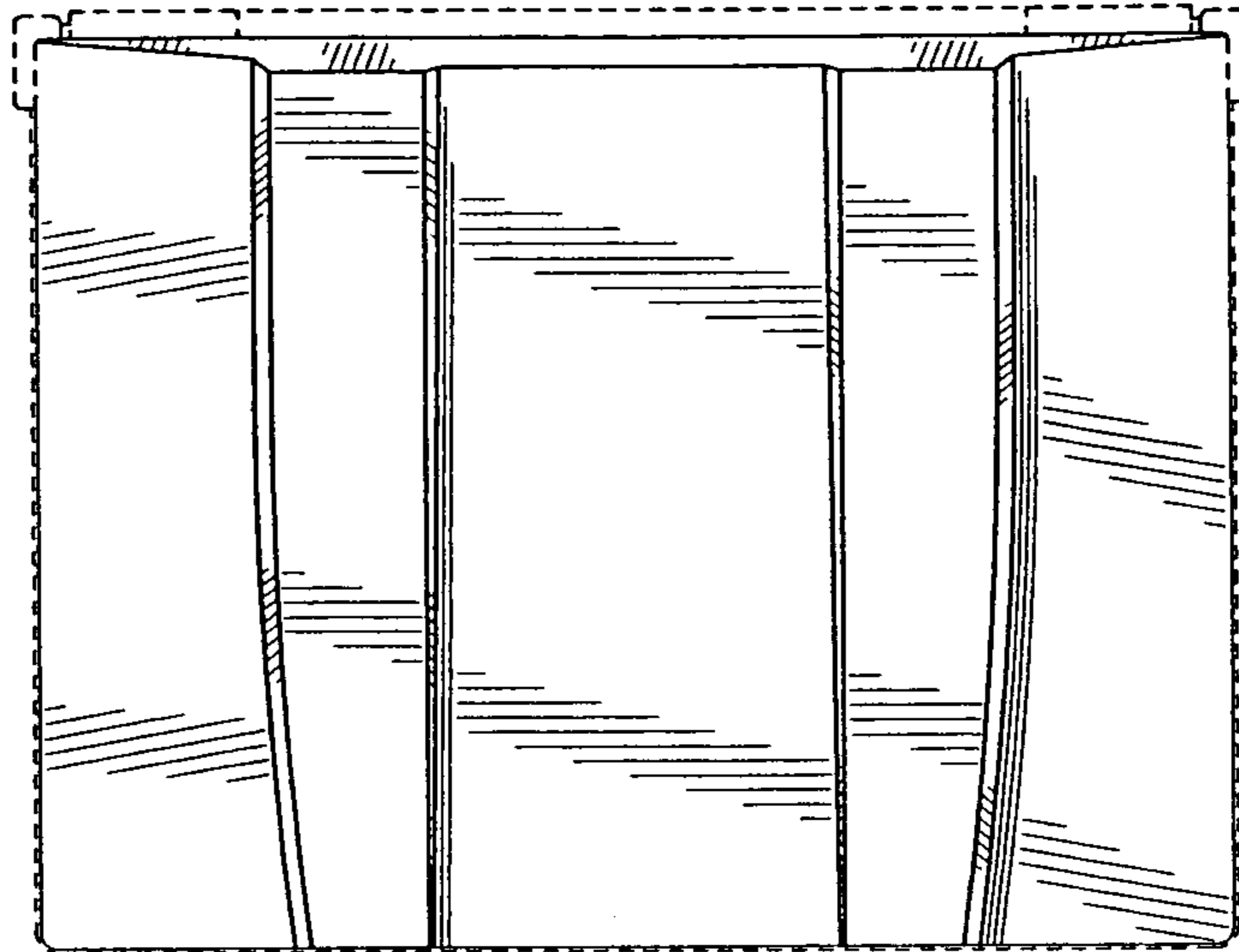


FIG. 4

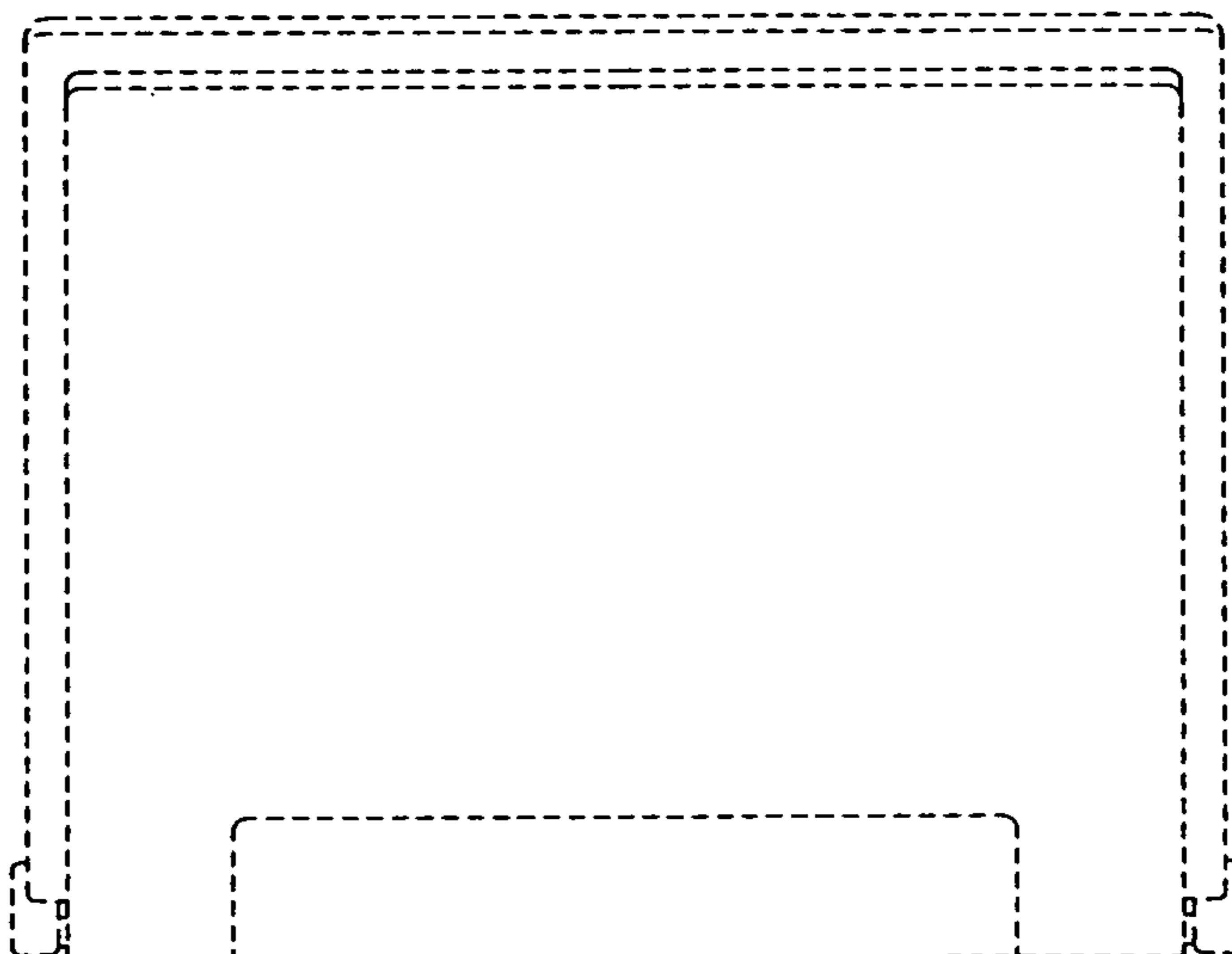


FIG. 5

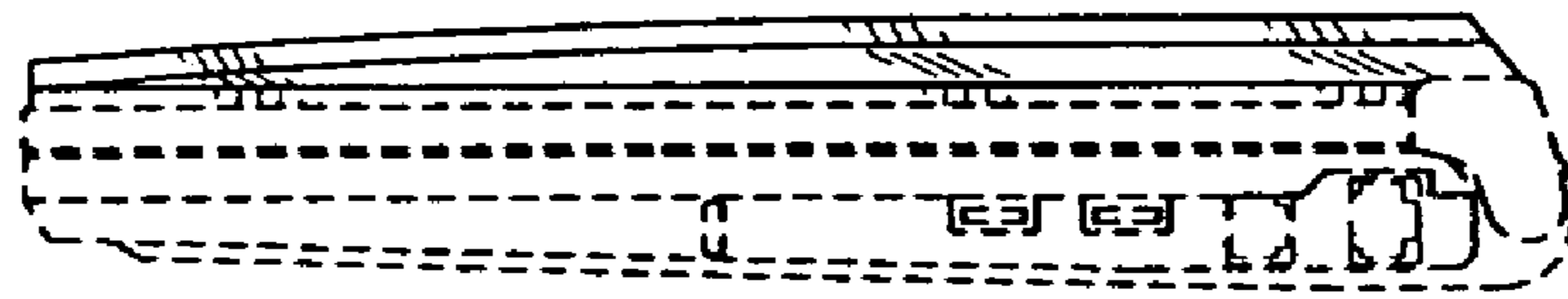


FIG. 6

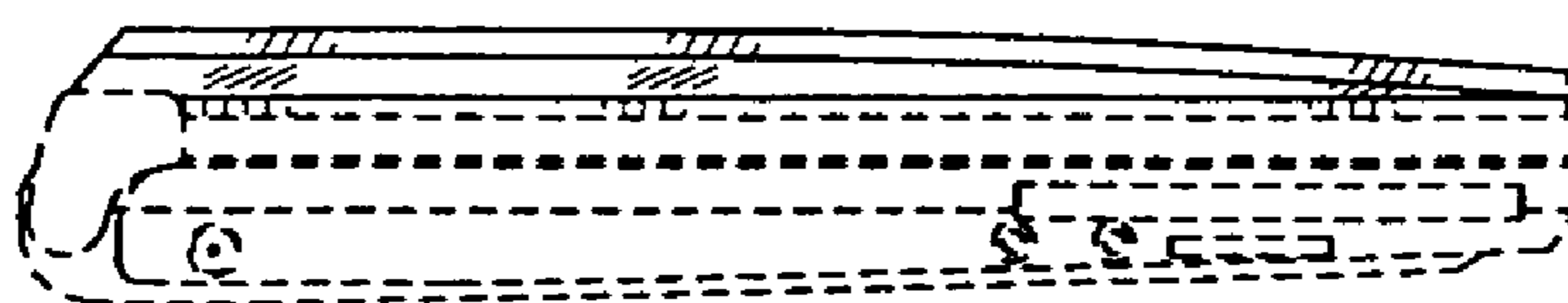


FIG. 7

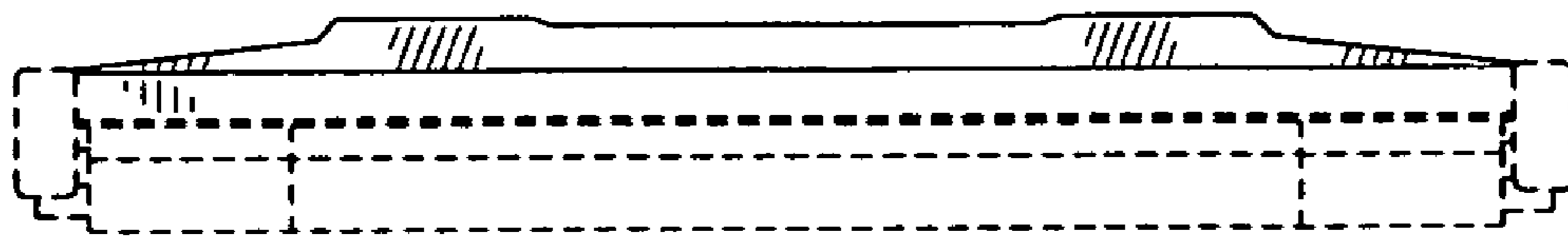


FIG. 8

