



US00D566109S

(12) **United States Design Patent**
Varma et al.

(10) **Patent No.: US D566,109 S**

(45) **Date of Patent: ** Apr. 8, 2008**

(54) **MICROPHONE**

(76) Inventors: **Samit Varma**, 22263 Avenue San Luis,
Woodland Hills, CA (US) 91364; **Alex**
D. Rasmussen, 3236 Campanil Dr.,
Santa Barbara, CA (US) 93109

(**) Term: **14 Years**

(21) Appl. No.: **29/286,220**

(22) Filed: **Apr. 28, 2007**

(51) **LOC (8) Cl.** **14-01**

(52) **U.S. Cl.** **D14/227**

(58) **Field of Classification Search** D14/224-229,
D14/212, 214; D34/6; D6/495, 511, 512;
381/91, 170, 177, 354, 361-363, 369, 388;
211/22, 24; 181/156

See application file for complete search history.

(56) **References Cited**

U.S. PATENT DOCUMENTS

- 2,230,104 A * 1/1941 Bostwick 381/91
- 2,717,932 A * 9/1955 Hastings et al. 381/177
- D178,541 S * 8/1956 Schell, Jr. D14/227
- 3,488,456 A * 1/1970 Maki 381/92
- D229,565 S * 12/1973 Legorju D14/212
- 4,083,426 A * 4/1978 Peugh 181/156

- D253,700 S * 12/1979 Gillum D14/214
- D257,346 S * 10/1980 Garrigus et al. D14/228
- 4,270,023 A * 5/1981 Beveridge 381/388
- D283,891 S * 5/1986 Parshad et al. D14/228
- D327,479 S * 6/1992 Britz D14/225
- D403,823 S * 1/1999 Thomsen D34/6

* cited by examiner

Primary Examiner—Paula A Greene

(74) *Attorney, Agent, or Firm*—Kenneth L. Green; Edgar W. Averill, Jr.

(57) **CLAIM**

The ornamental design for a microphone, as shown.

DESCRIPTION

FIG. 1 is a perspective view showing the front, left side and right side of the microphone showing my new design.

FIG. 2 is a front view of the microphone.

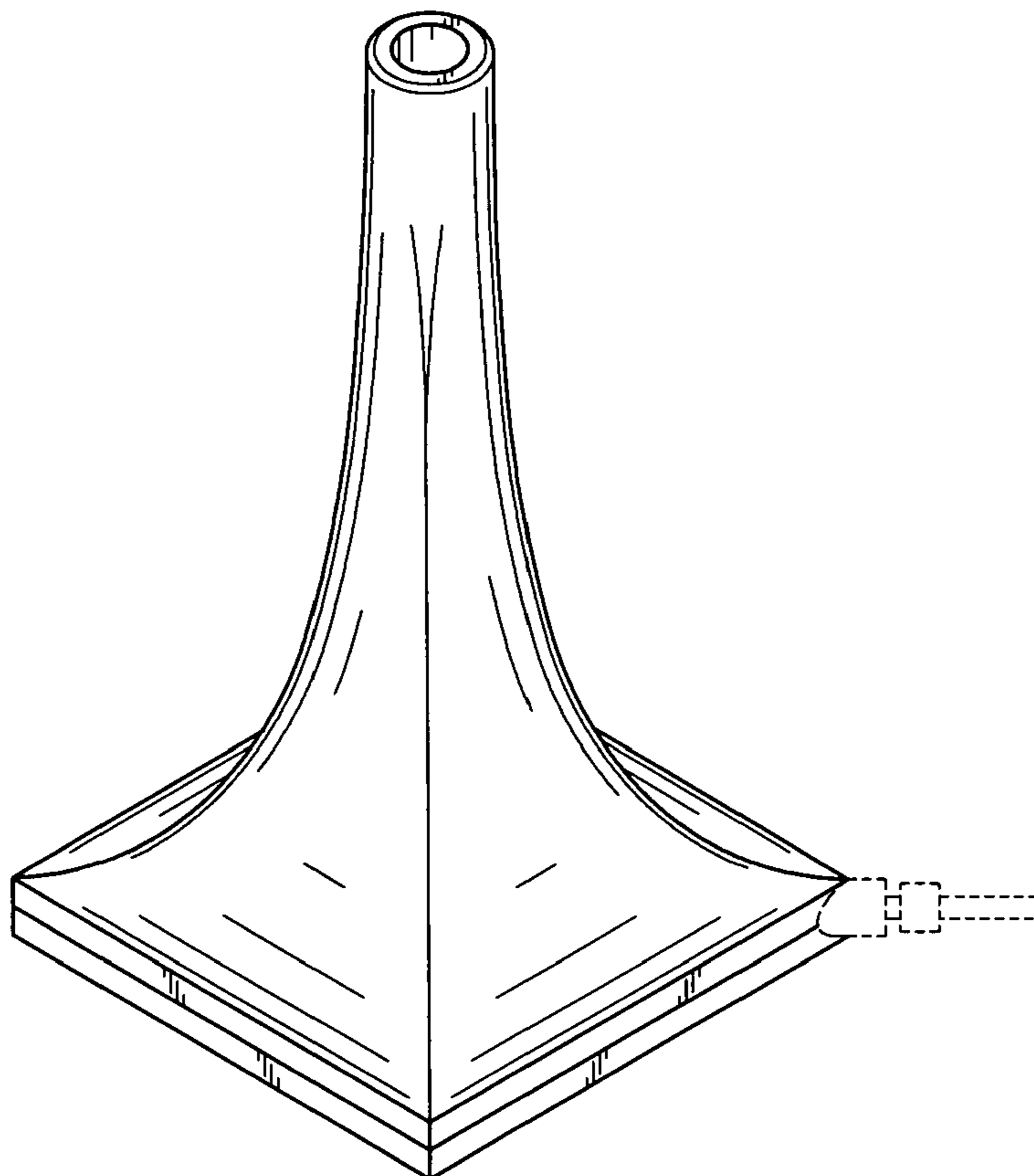
FIG. 3 is a side view of the microphone.

FIG. 4 is a top view of the microphone; and,

FIG. 5 is a bottom view of the microphone.

The broken lines are included for the purpose of illustration and form no part of the claimed design.

1 Claim, 2 Drawing Sheets



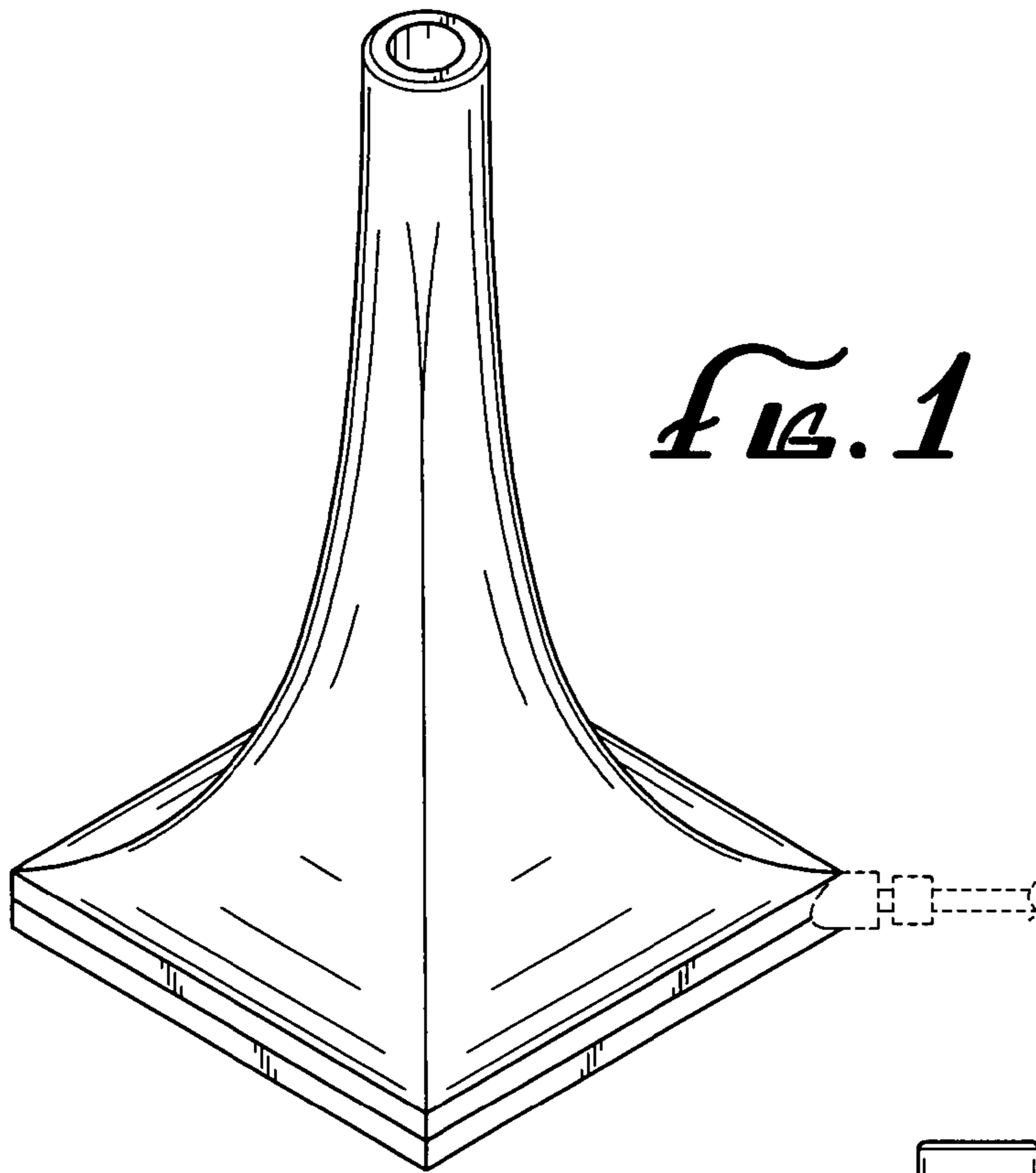


Fig. 1

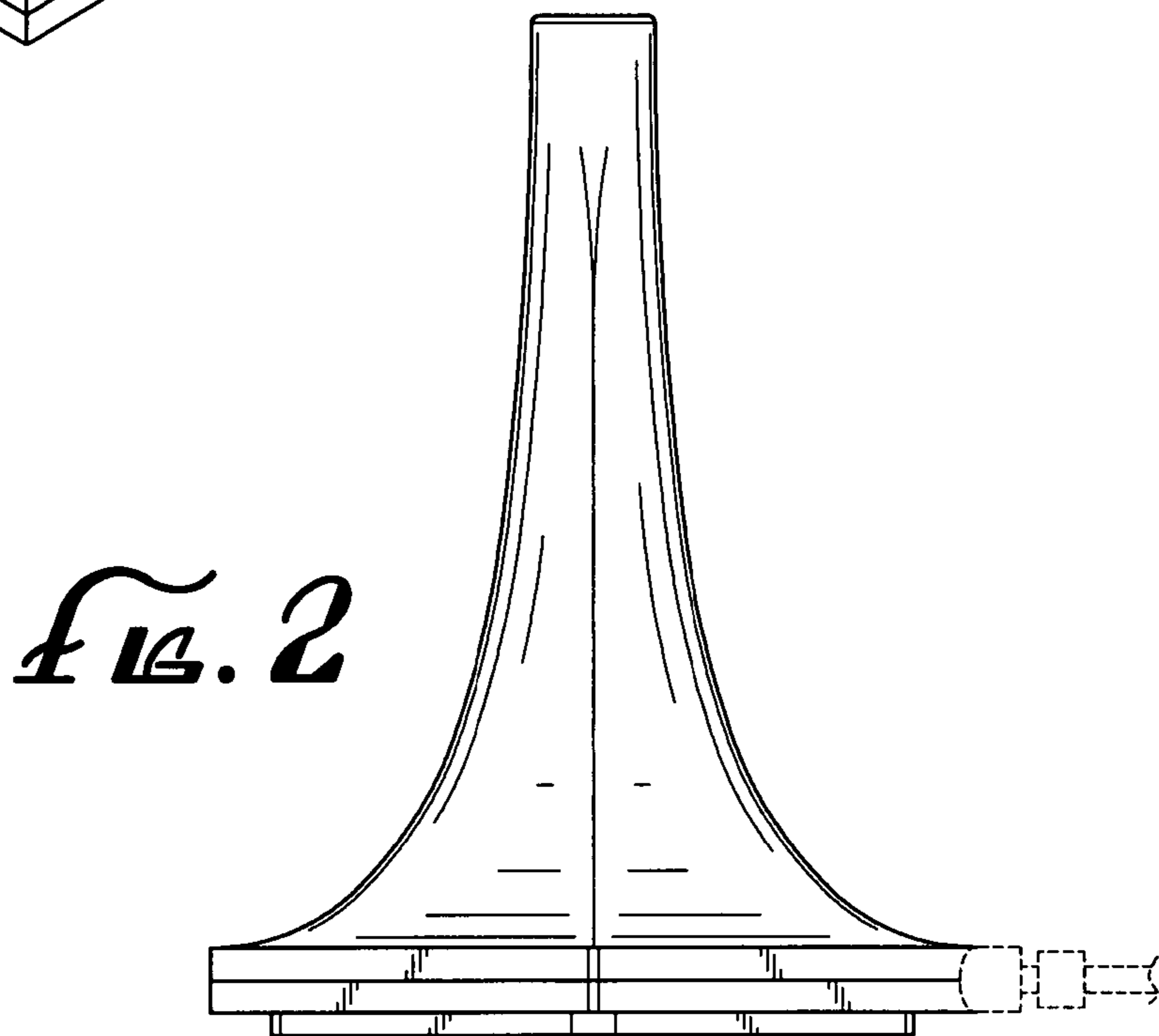


Fig. 2

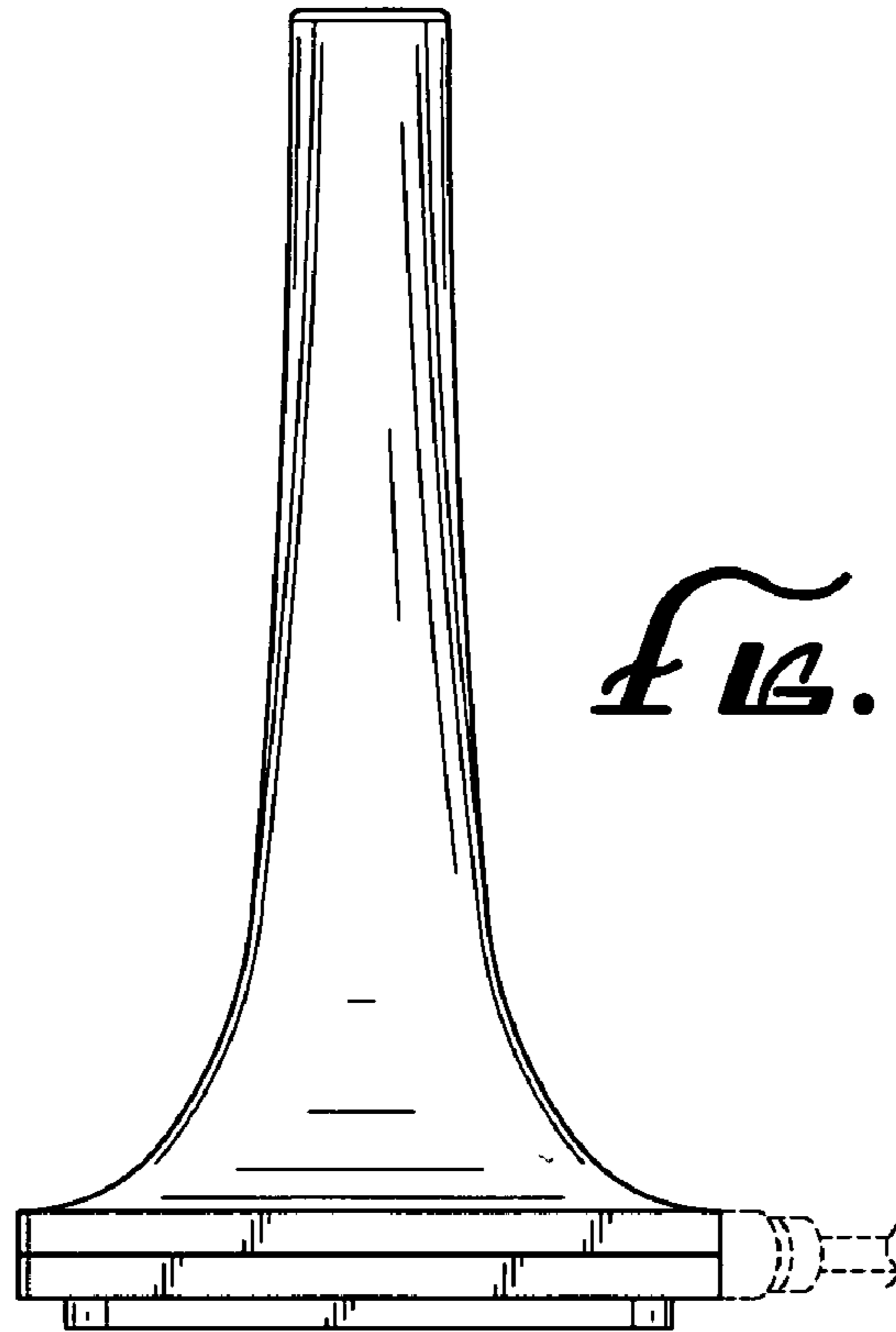


FIG. 3

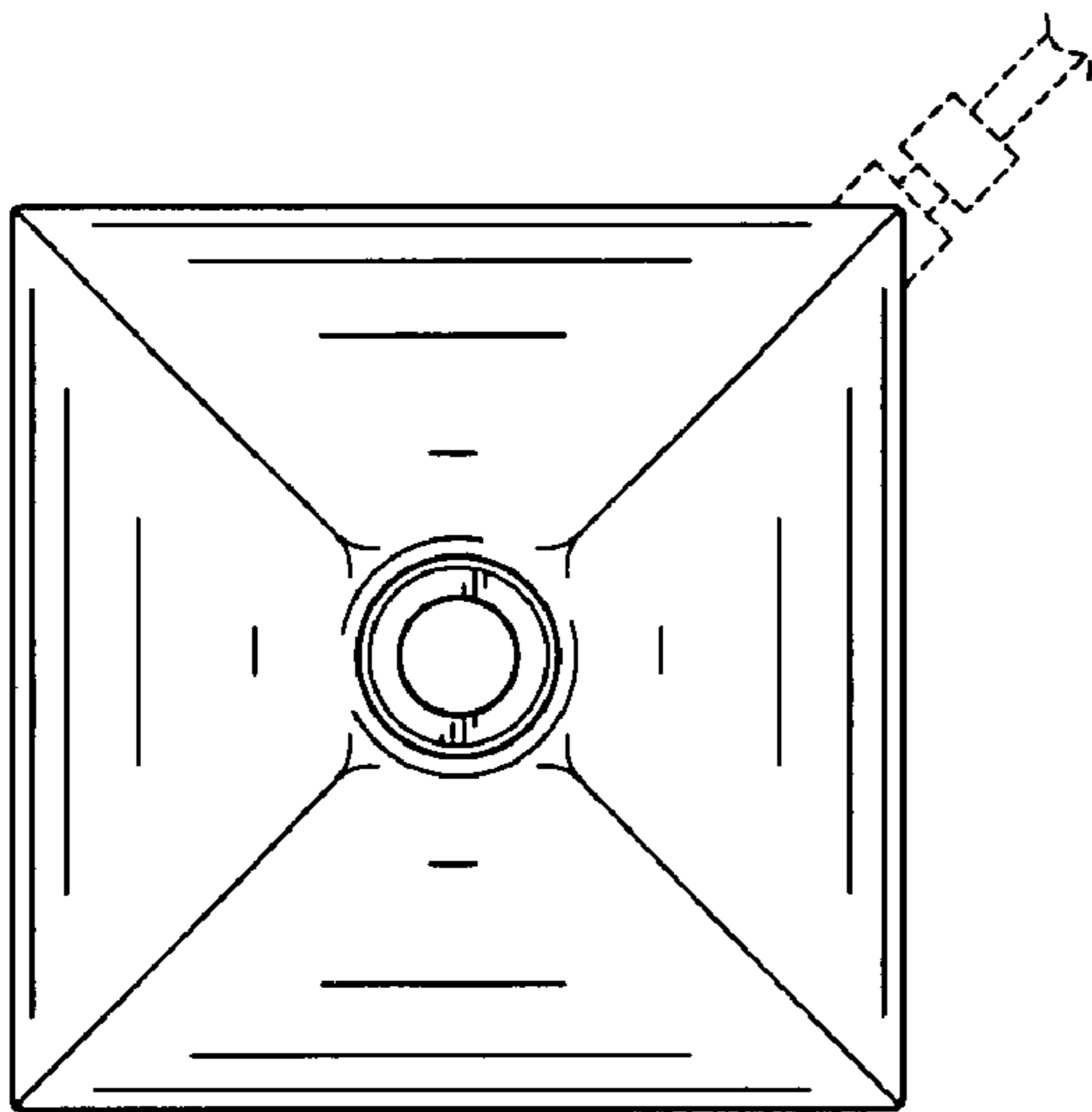


FIG. 4

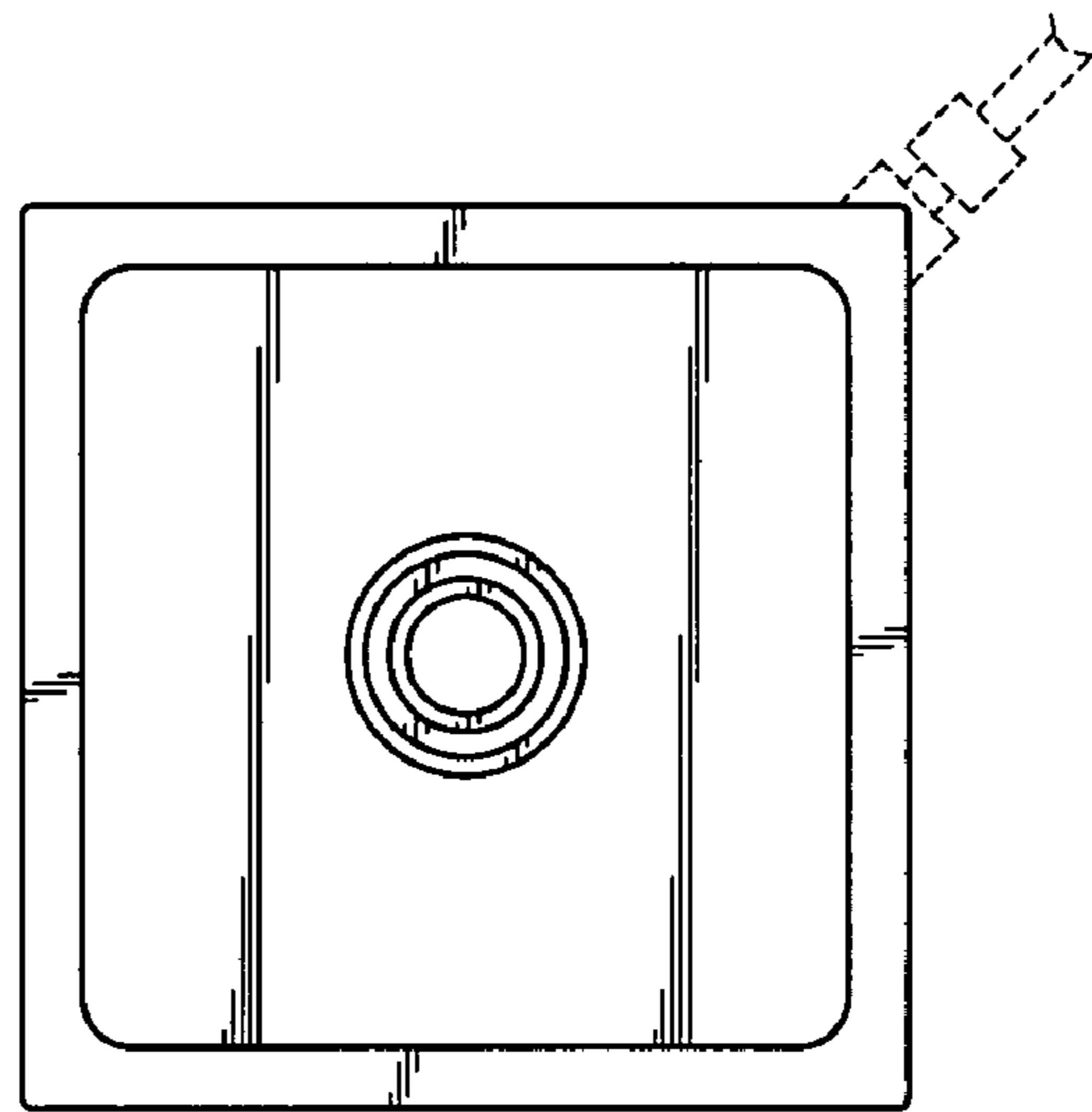


FIG. 5