

US00D566108S

(12) **United States Design Patent**
Kan

(10) **Patent No.:** **US D566,108 S**

(45) **Date of Patent:** **** Apr. 8, 2008**

(54) **EARPHONE**

(75) Inventor: **Yu-Hua Kan**, Taoyuan County (TW)

(73) Assignee: **Darfon Electronics Corp.**, Taoyuan (TW)

(**) Term: **14 Years**

(21) Appl. No.: **29/279,548**

(22) Filed: **May 2, 2007**

(30) **Foreign Application Priority Data**

Dec. 13, 2006 (TW) 95306884

(51) **LOC (8) Cl.** **14-01**

(52) **U.S. Cl.** **D14/223**

(58) **Field of Classification Search** D14/205,
D14/206, 223, 188, 192; 181/129-130; 381/380,
381/381, 374-379; 379/430, 433.01, 433.02,
379/433.03; 455/344, 347, 350-351
See application file for complete search history.

(56) **References Cited**

U.S. PATENT DOCUMENTS

D326,653 S * 6/1992 Hino D14/192
D504,884 S * 5/2005 Hering D14/206

D512,991 S * 12/2005 Yano D14/223
D526,313 S * 8/2006 Murray D14/223
D550,215 S * 9/2007 Udagawa et al. D14/223
D550,658 S * 9/2007 Wang D14/223
D553,613 S * 10/2007 Sade et al. D14/223
D554,626 S * 11/2007 Christopher et al. D14/223
D555,150 S * 11/2007 Christopher et al. D14/223

* cited by examiner

Primary Examiner—Paula A. Greene

(74) *Attorney, Agent, or Firm*—Quintero Law Office

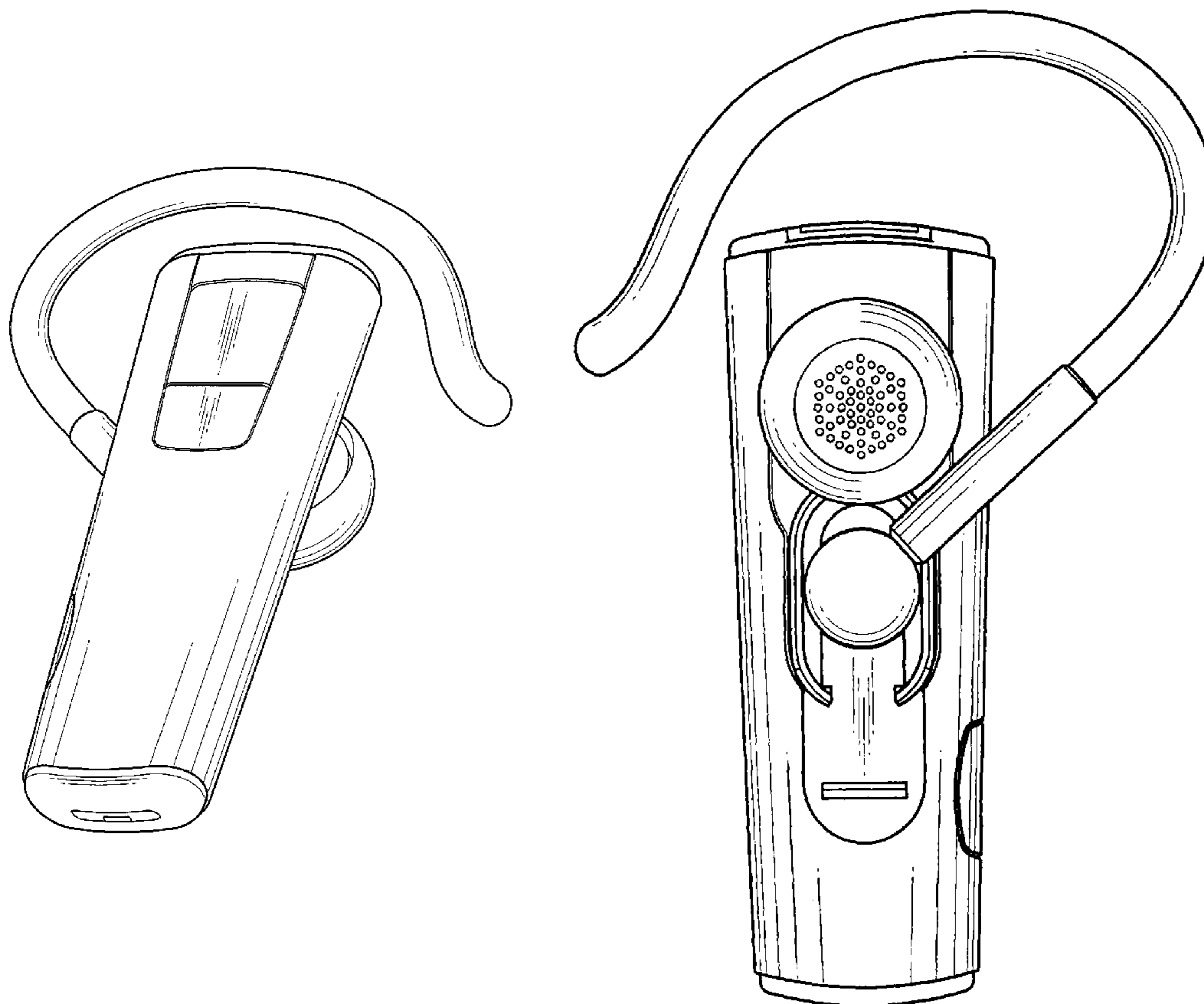
(57) **CLAIM**

The ornamental design for an earphone, as shown and described.

DESCRIPTION

FIG. 1 is a perspective view thereof;
FIG. 2 is a front elevational view thereof;
FIG. 3 is a rear elevational view thereof;
FIG. 4 is a right side elevational view thereof;
FIG. 5 is a left side elevational view thereof;
FIG. 6 is a top plane view thereof; and,
FIG. 7 is a bottom plane view thereof.

1 Claim, 6 Drawing Sheets



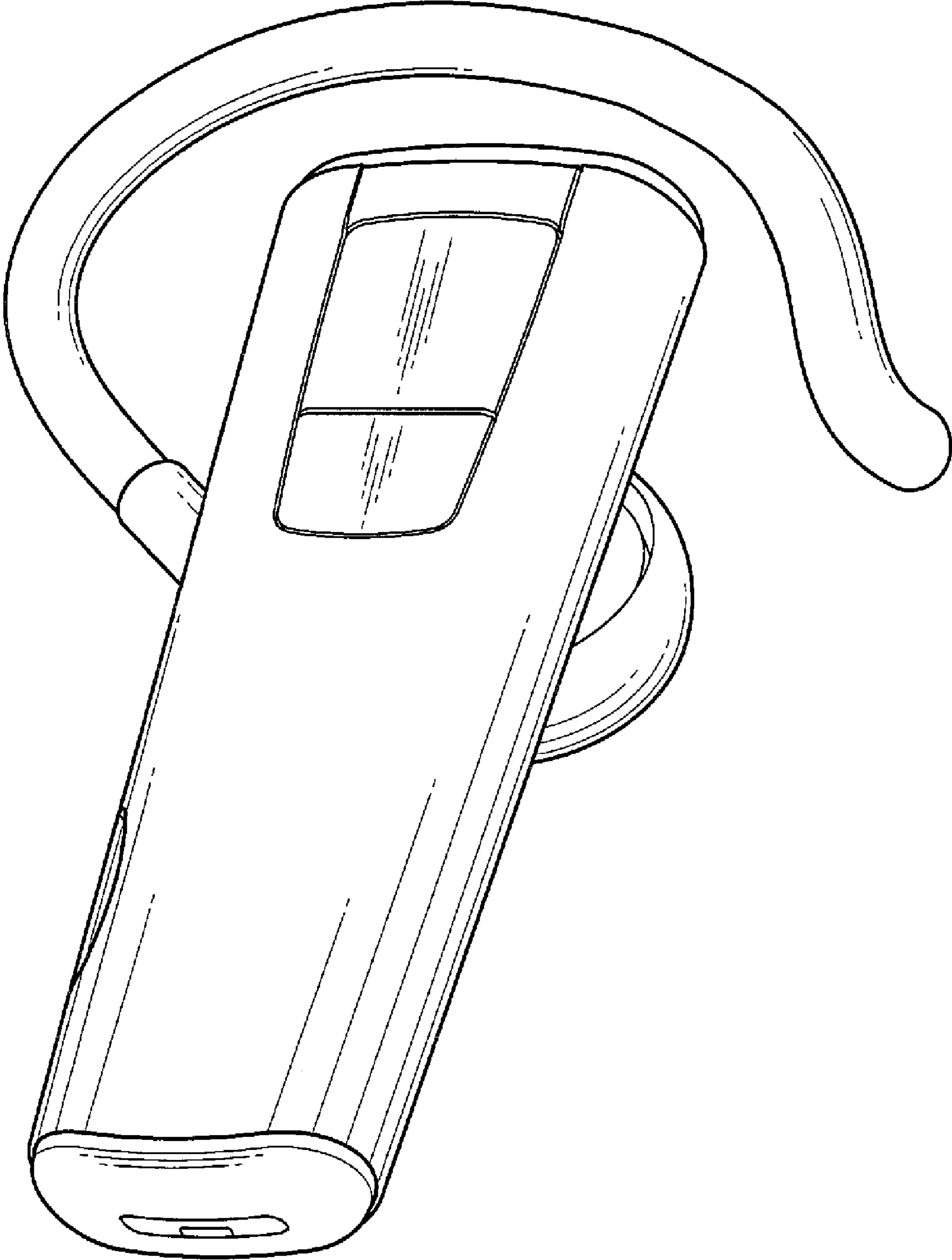


FIG. 1

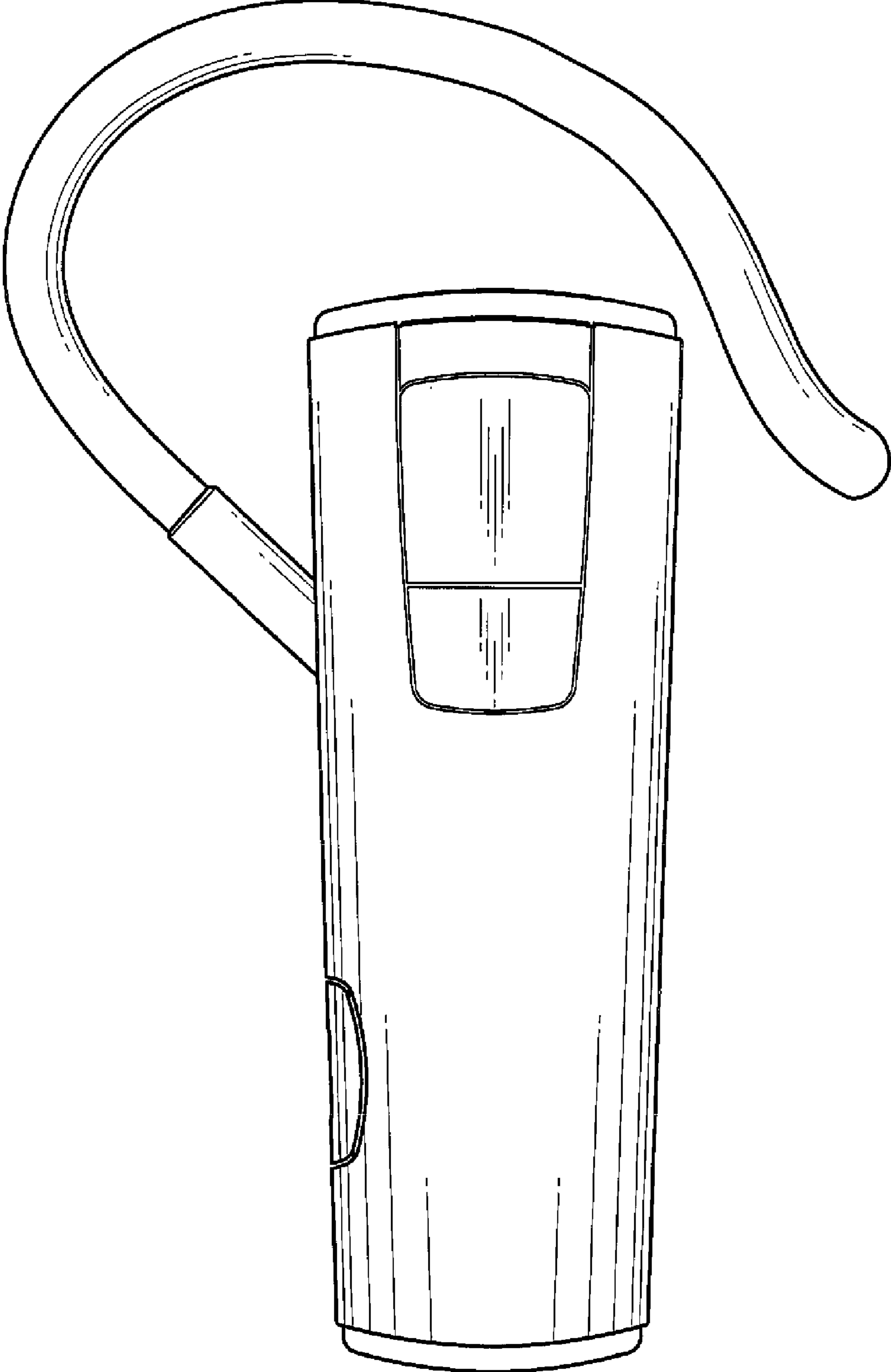


FIG. 2

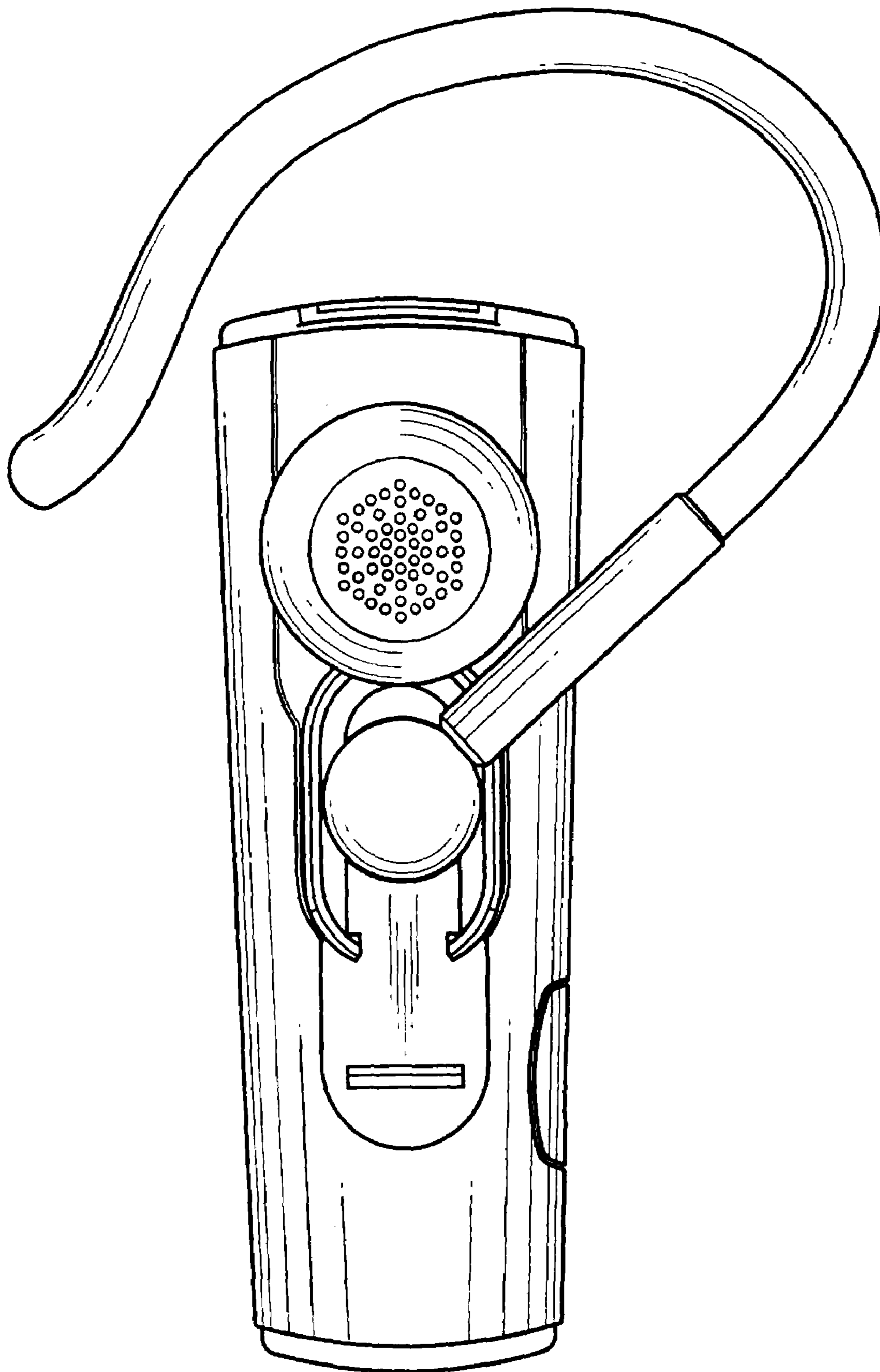


FIG. 3

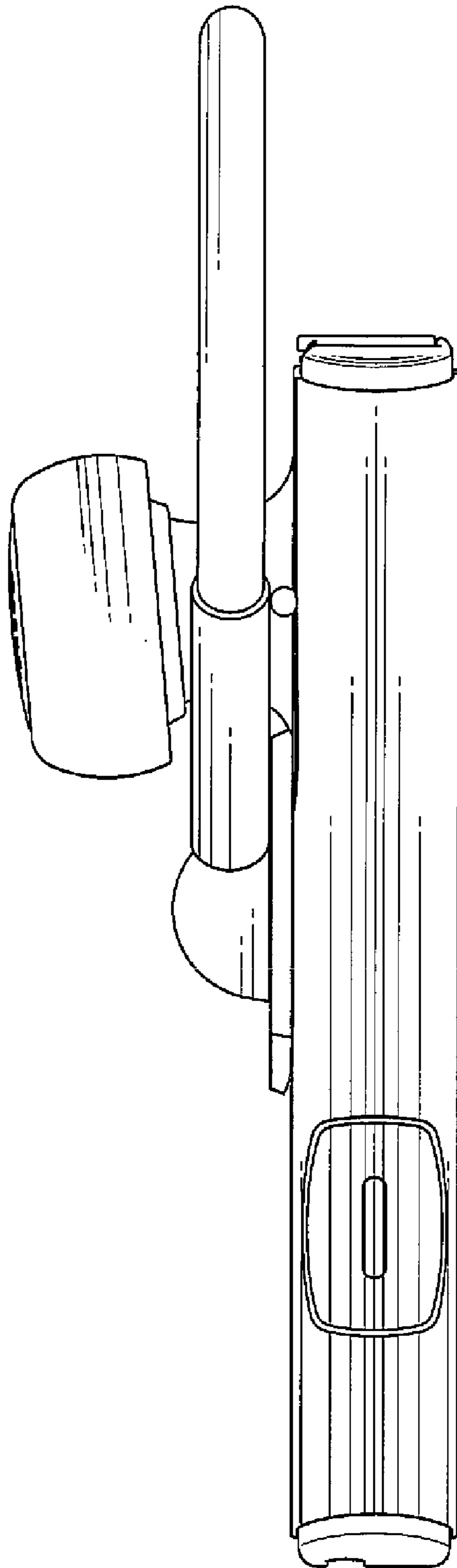


FIG. 4

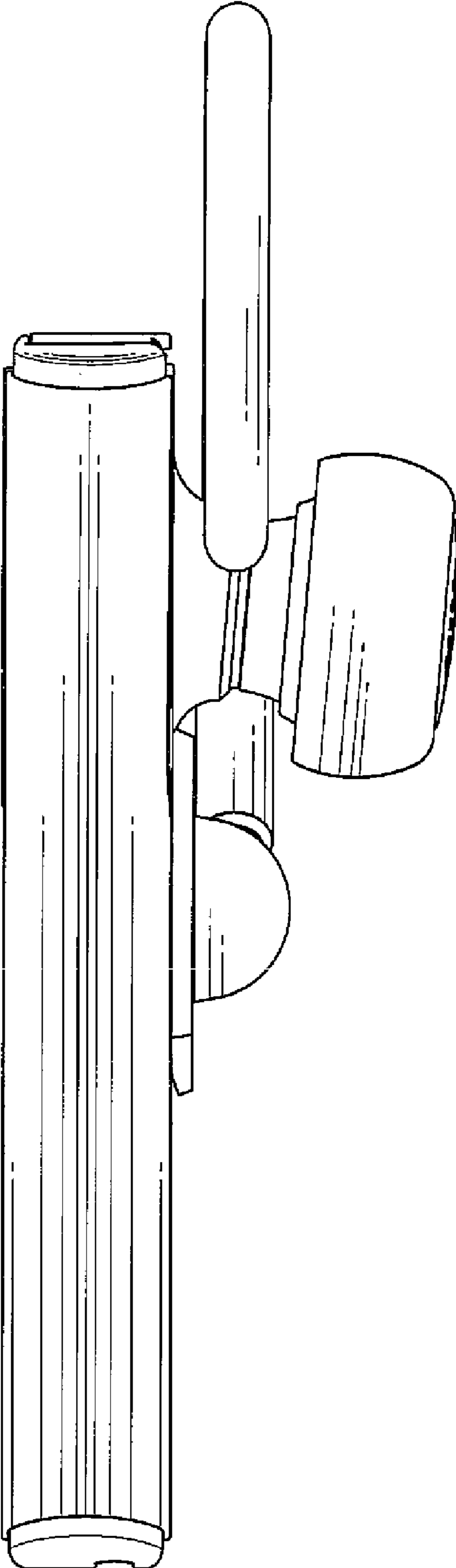


FIG. 5

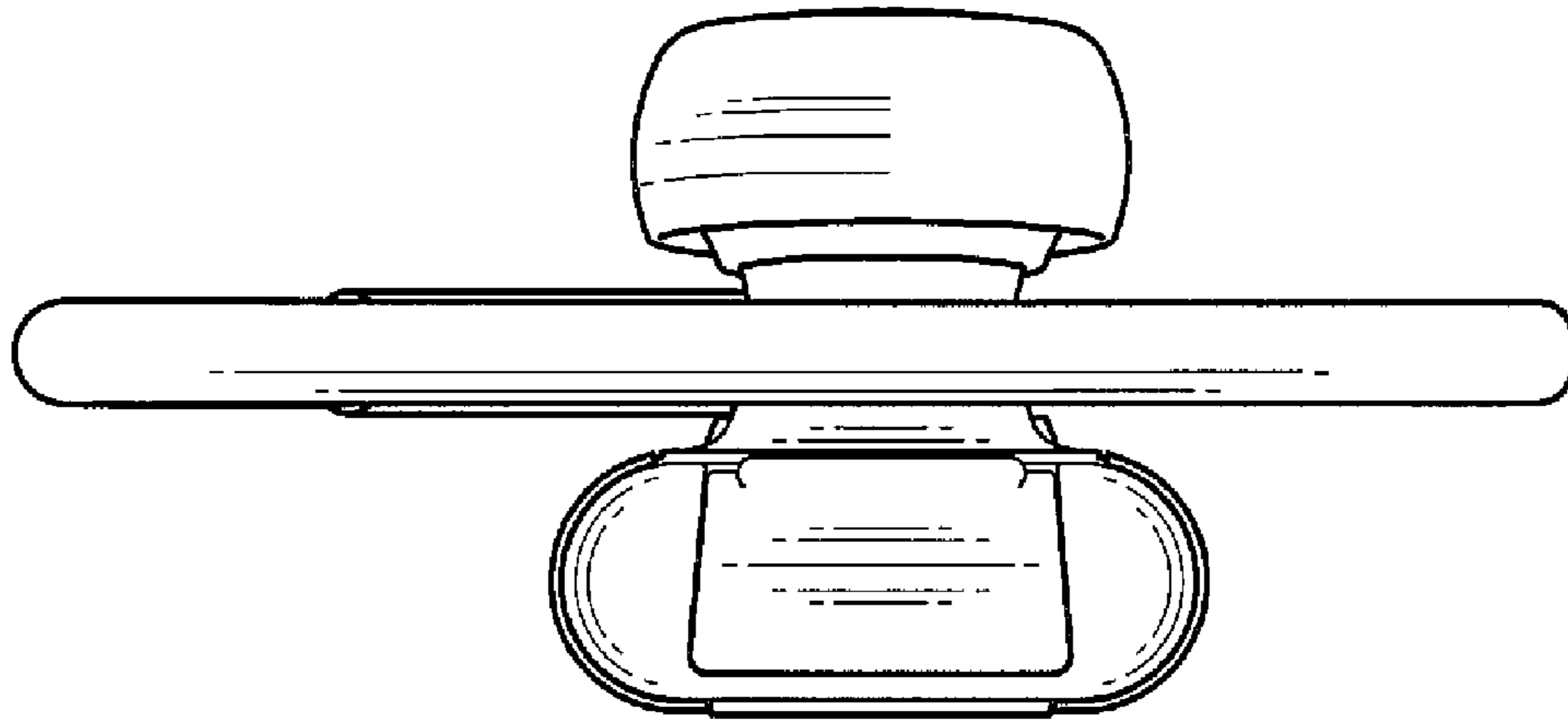


FIG. 6

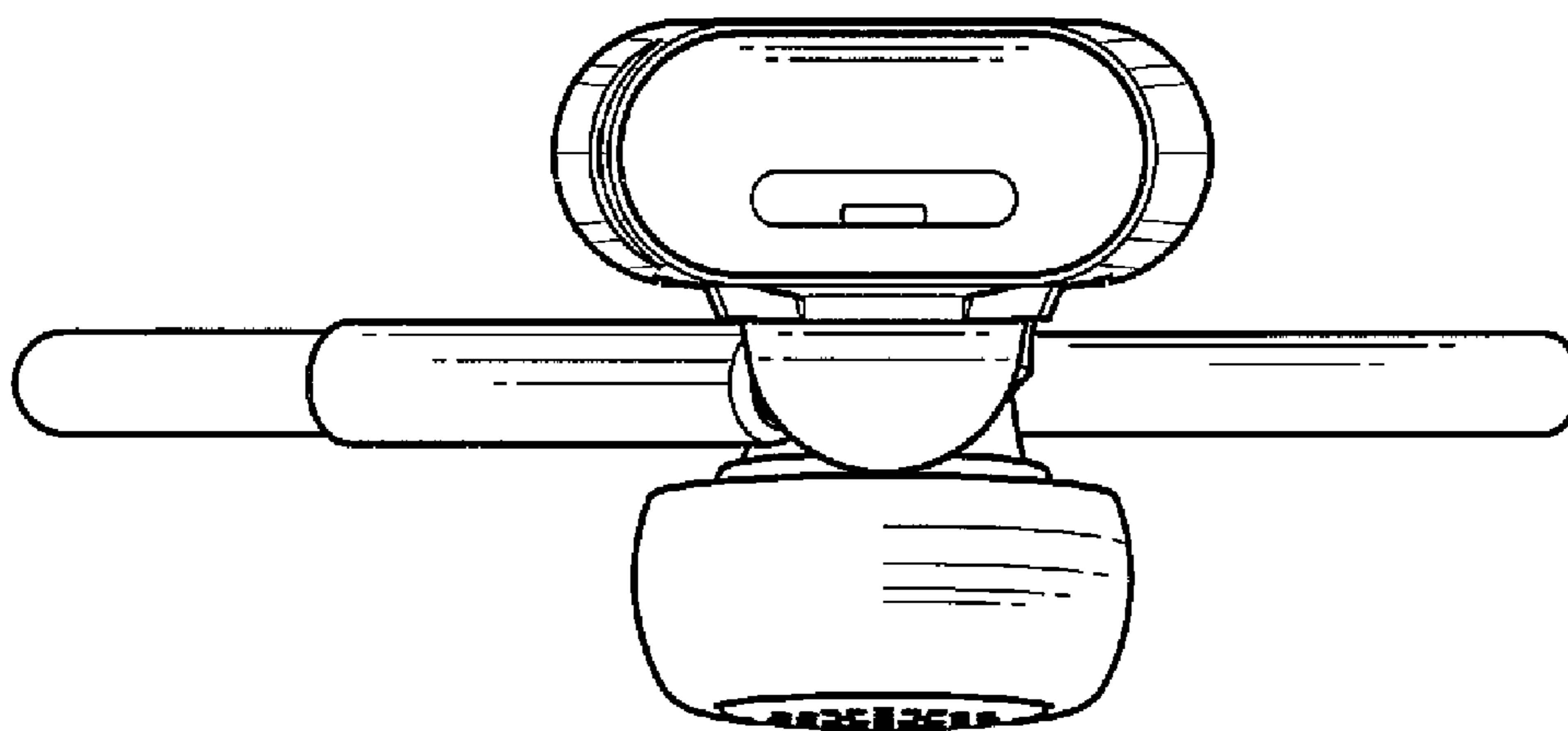


FIG. 7