



US00D566104S

(12) **United States Design Patent**  
**Suzuki**

(10) **Patent No.:** **US D566,104 S**

(45) **Date of Patent:** **\*\* Apr. 8, 2008**

(54) **HEADPHONE**

(75) Inventor: **Satoshi Suzuki**, Tokyo (JP)

(73) Assignee: **Sony Corporation**, Tokyo (JP)

(\*\*) Term: **14 Years**

(21) Appl. No.: **29/271,997**

(22) Filed: **Jan. 31, 2007**

(30) **Foreign Application Priority Data**

Nov. 17, 2006 (JP) ..... D2006-031583

(51) **LOC (8) Cl.** ..... **14-01**

(52) **U.S. Cl.** ..... **D14/223**

(58) **Field of Classification Search** ..... D14/205–206,  
D14/223; 181/129–130, 135; 379/430;  
381/379, 380, 381, 374

See application file for complete search history.

(56) **References Cited**

**U.S. PATENT DOCUMENTS**

5,953,435	A *	9/1999	Mullin et al.	.....	381/380
D443,261	S	6/2001	Yuyama		
6,418,230	B1 *	7/2002	McDonald et al.	.....	381/381
6,427,018	B1 *	7/2002	Keliiliki	.....	381/381
D482,022	S	11/2003	Nakano		
6,728,388	B1 *	4/2004	Nageno et al.	.....	381/381
D494,568	S *	8/2004	Pan	.....	D14/223
6,772,853	B2 *	8/2004	Yang	.....	181/129
D495,684	S	9/2004	Hirano		
D504,672	S	5/2005	Hirano		

D508,479	S *	8/2005	Okada	.....	D14/206
D512,992	S	12/2005	Murakami		
7,110,535	B2 *	9/2006	Bodley et al.	.....	379/430
D538,268	S *	3/2007	Gibson et al.	.....	D14/223
D538,270	S *	3/2007	Kim et al.	.....	D14/223
D542,282	S *	5/2007	Yoshiyama	.....	D14/223
D545,813	S *	7/2007	Ma	.....	D14/223

\* cited by examiner

*Primary Examiner*—Paula A. Greene

(74) *Attorney, Agent, or Firm*—Rader, Fishman & Grauer, PLLC

(57) **CLAIM**

The ornamental design for a headphone, as shown and described.

**DESCRIPTION**

FIG. 1 is a rear elevational view of a headphone showing my new design.

FIG. 2 is a front elevational view thereof;

FIG. 3 is a left side elevational view thereof;

FIG. 4 is a right side elevational view thereof;

FIG. 5 is a top plan view thereof;

FIG. 6 is a bottom plan view thereof; and,

FIG. 7 is a perspective view thereof.

Portions shown as broken lines are for illustrative purpose only and form no part of the claimed design.

**1 Claim, 7 Drawing Sheets**

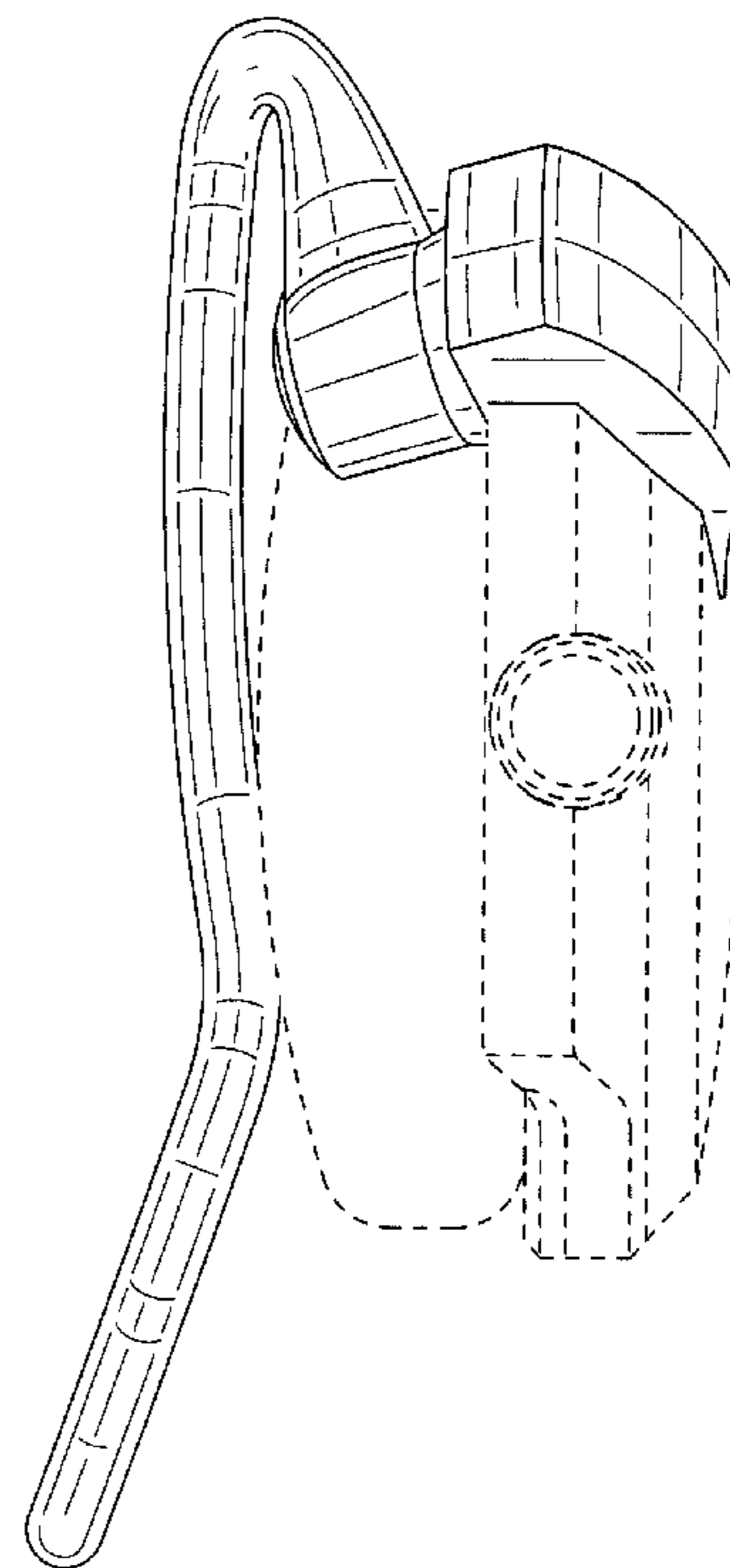
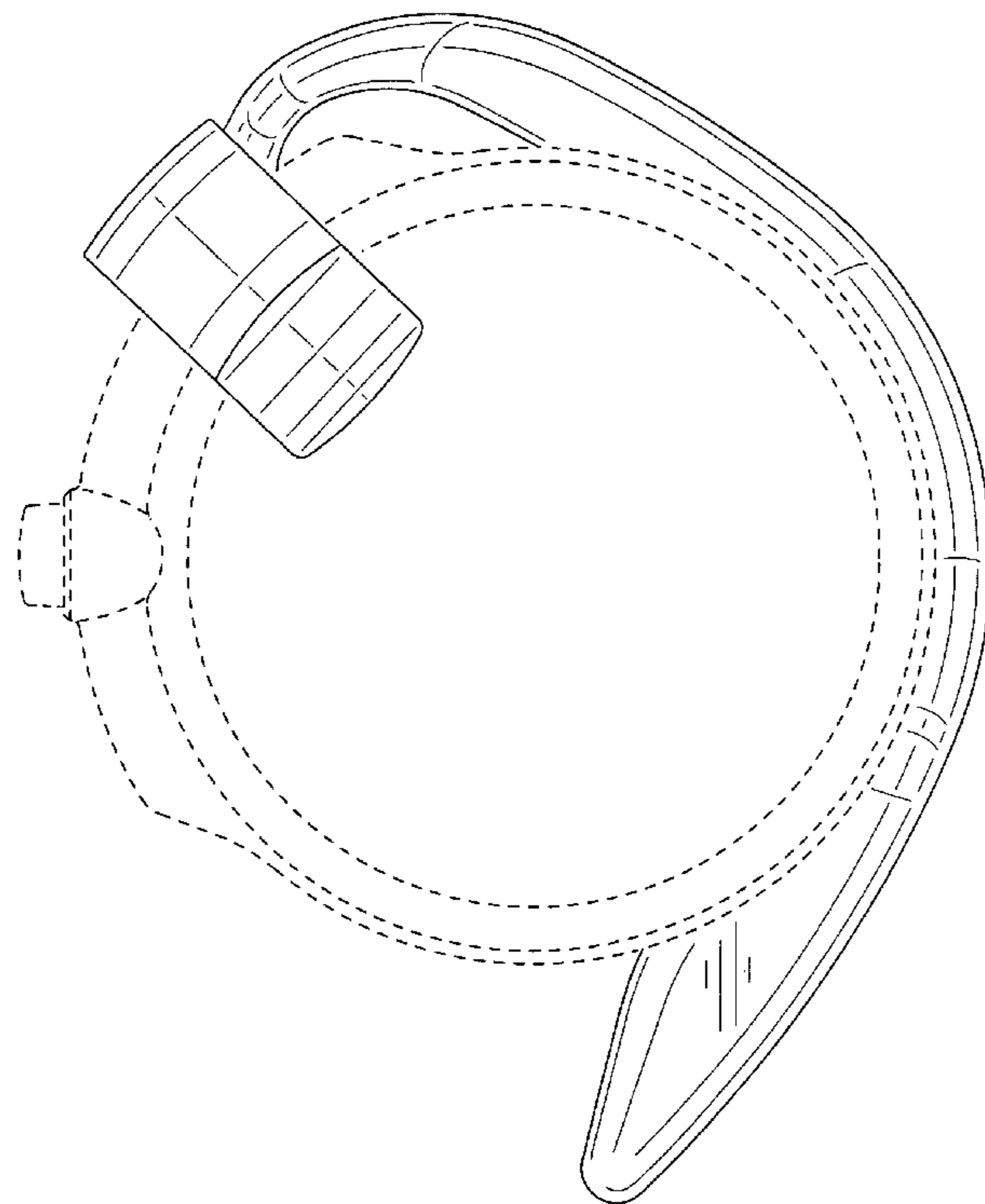


Fig. 1

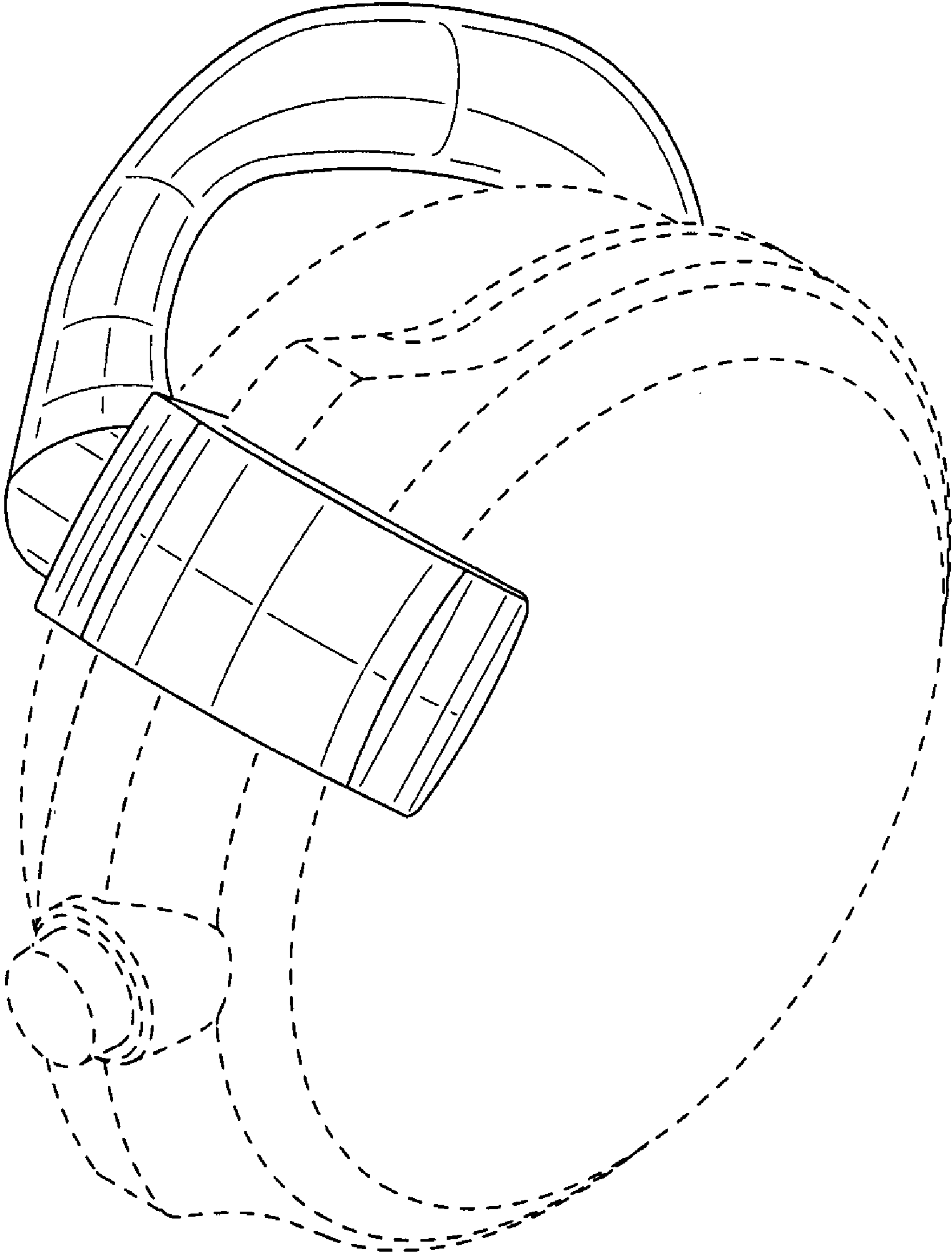


Fig.2

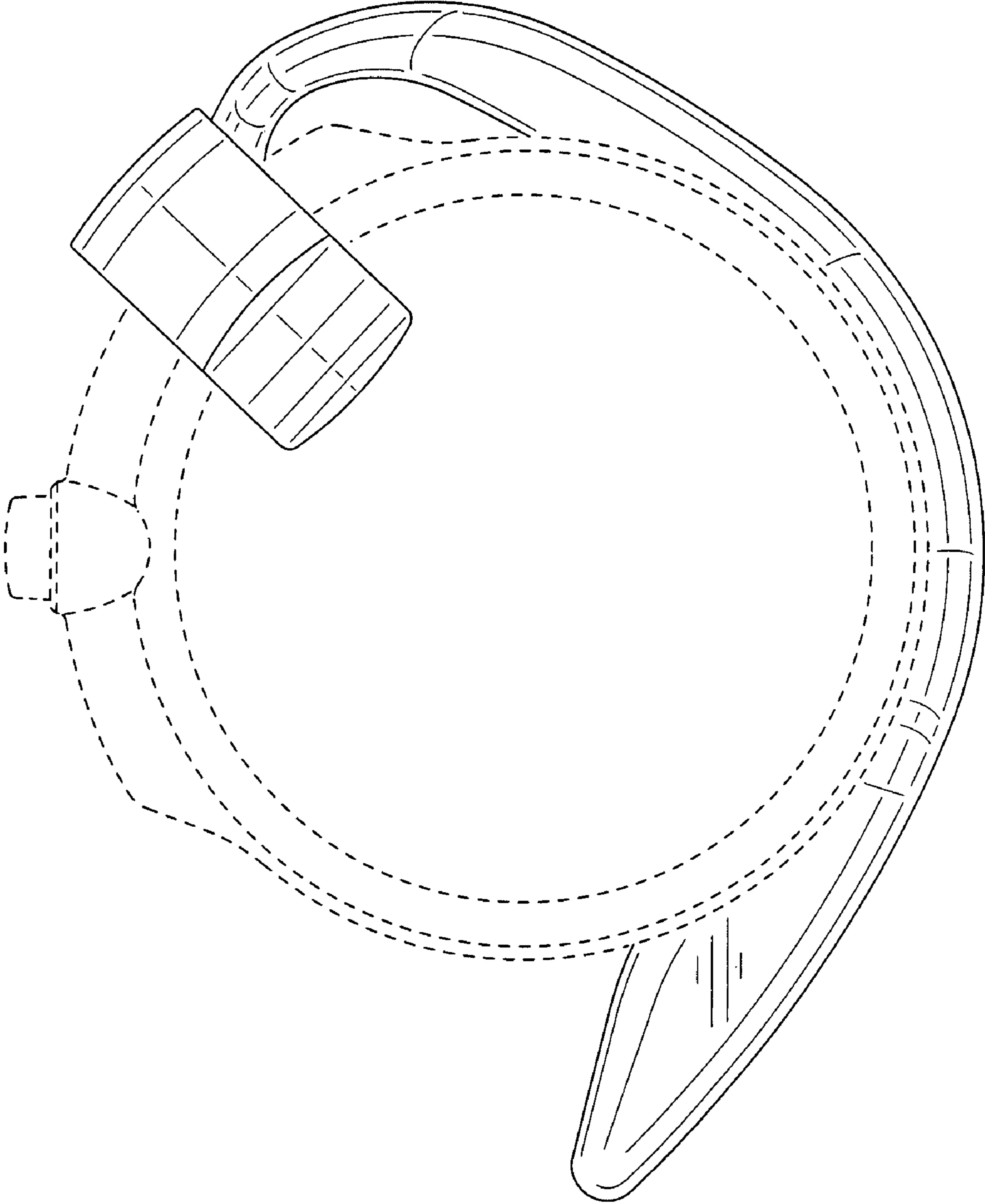


Fig.3

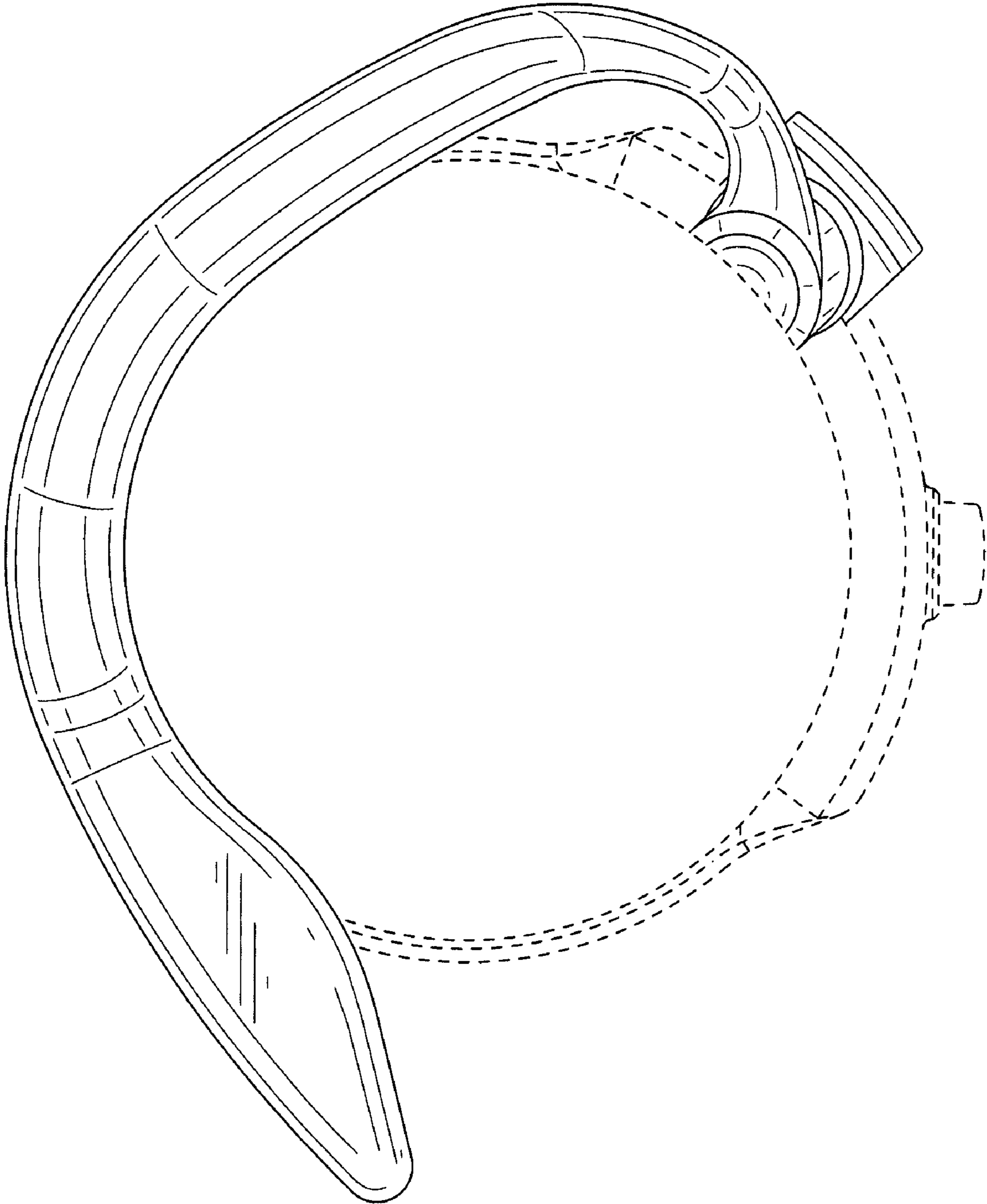


Fig.4

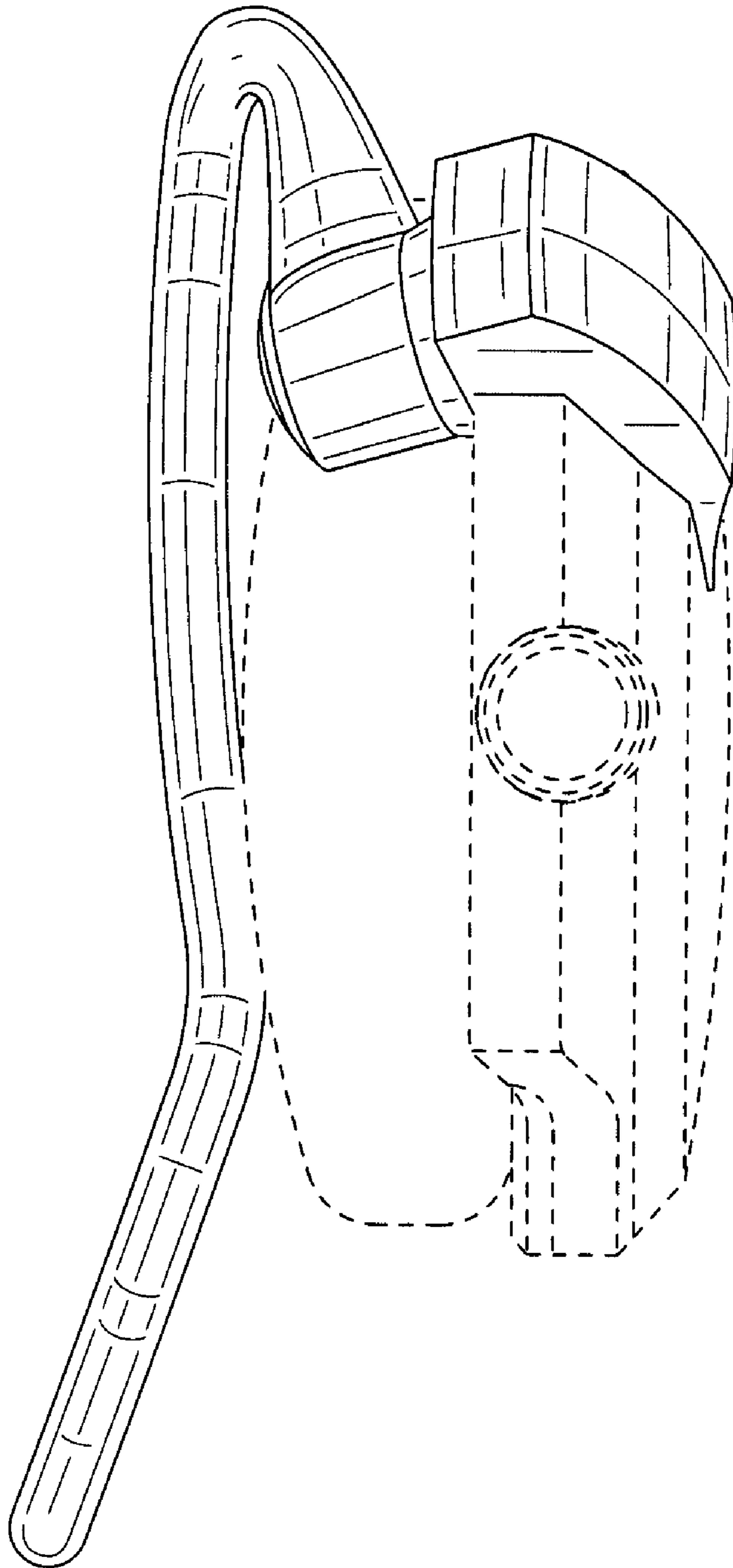




Fig.5

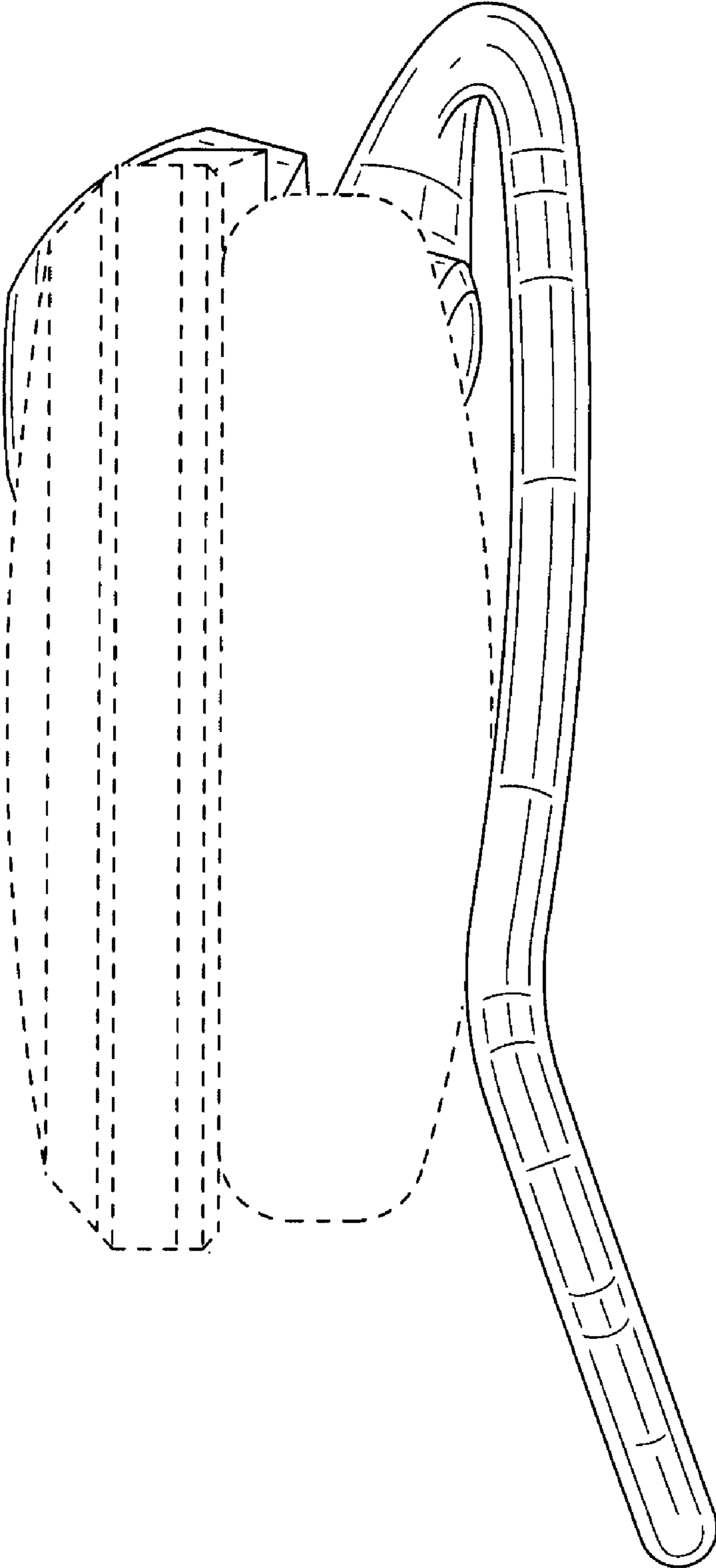


Fig.6

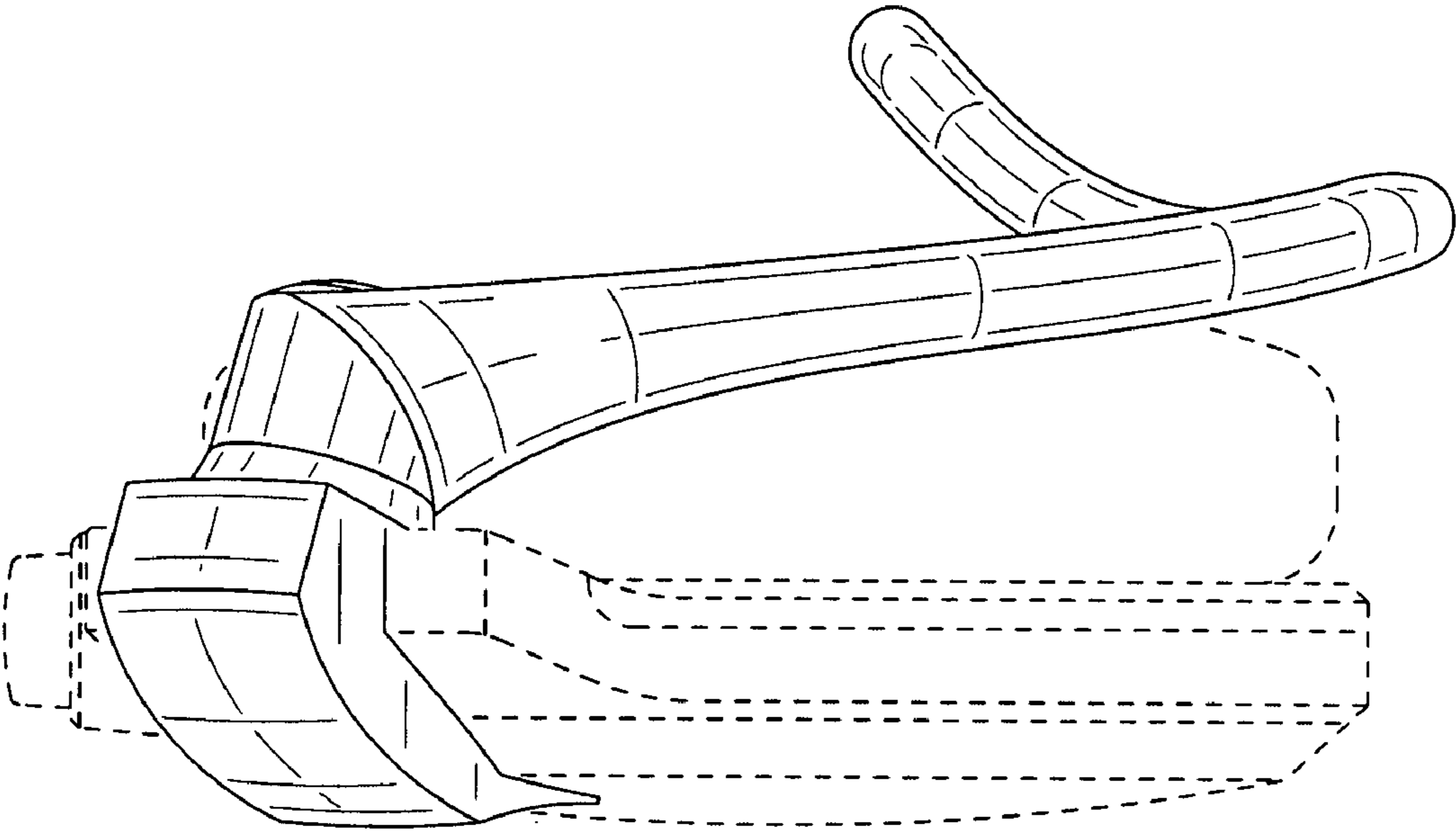


Fig.7

